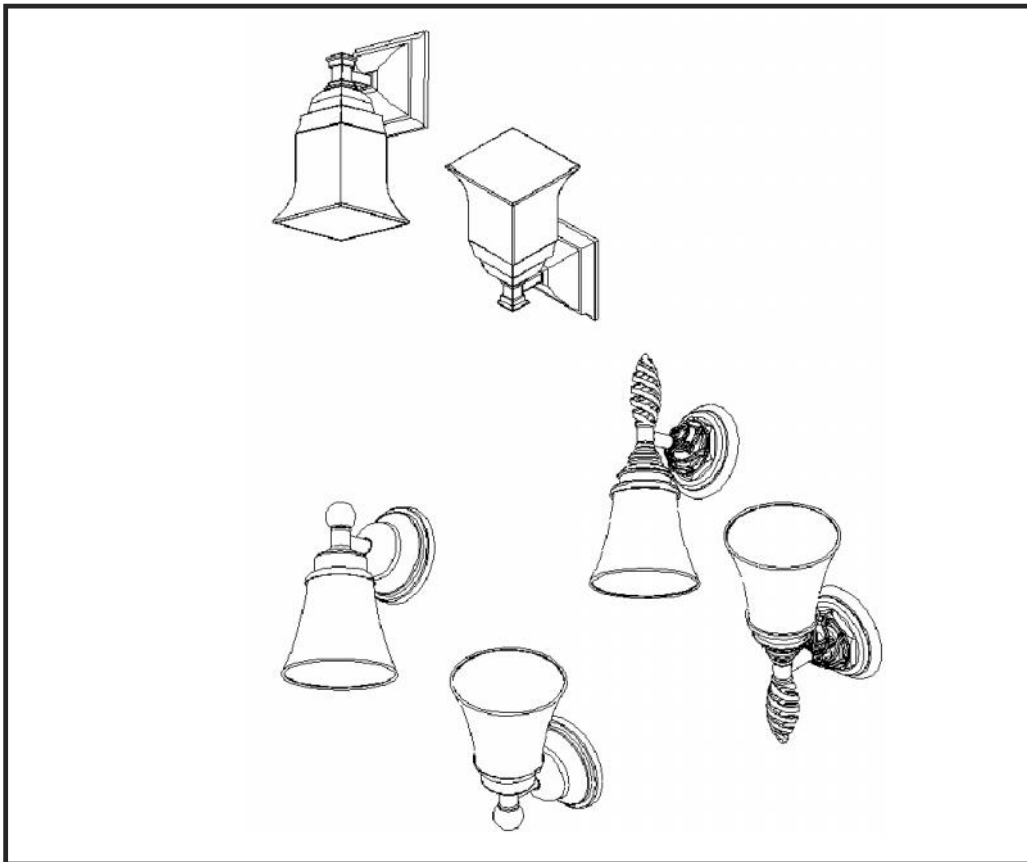


## INDOOR WALL-MOUNT LIGHT FIXTURE INSTALLATION INSTRUCTIONS

Model No's:

10-51 & 52, 19-51 & 52, 21-51 & 52, 27-51 & 52, 29-51 & 52  
(Note: -52, double series, not shown but typ. installation)



**Congratulations on the purchase  
of this Newport Brass product,  
an excellent choice that will give you  
years of quality service and enhance  
the look and style of your home.**

**CAUTION: DISCONNECT POWER**

Always shut off power when installing or repairing this, or any other electric appliance.

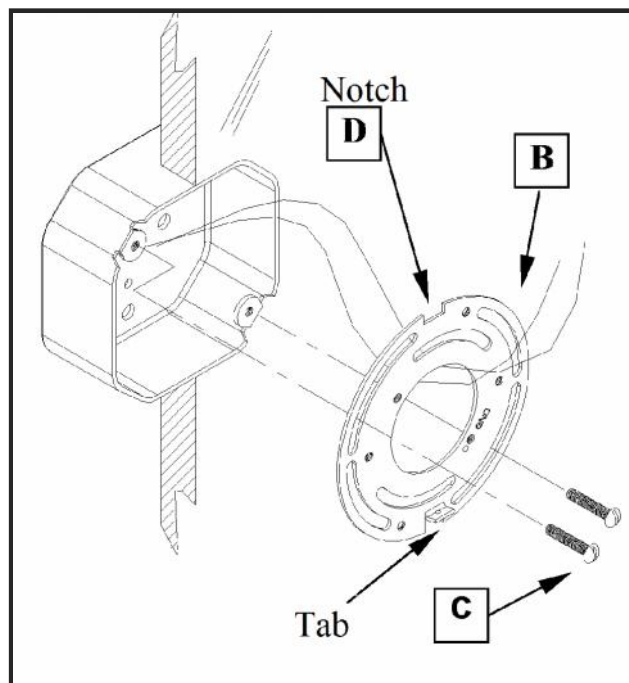
**FAILURE TO DO SO MAY RESULT IN SEVERE INJURY OR DEATH**

Installation by a licensed electrical contractor recommended.

**SHADE UP INSTALLATION**

**I Preparing Wall Outlet (for shade up installation)**

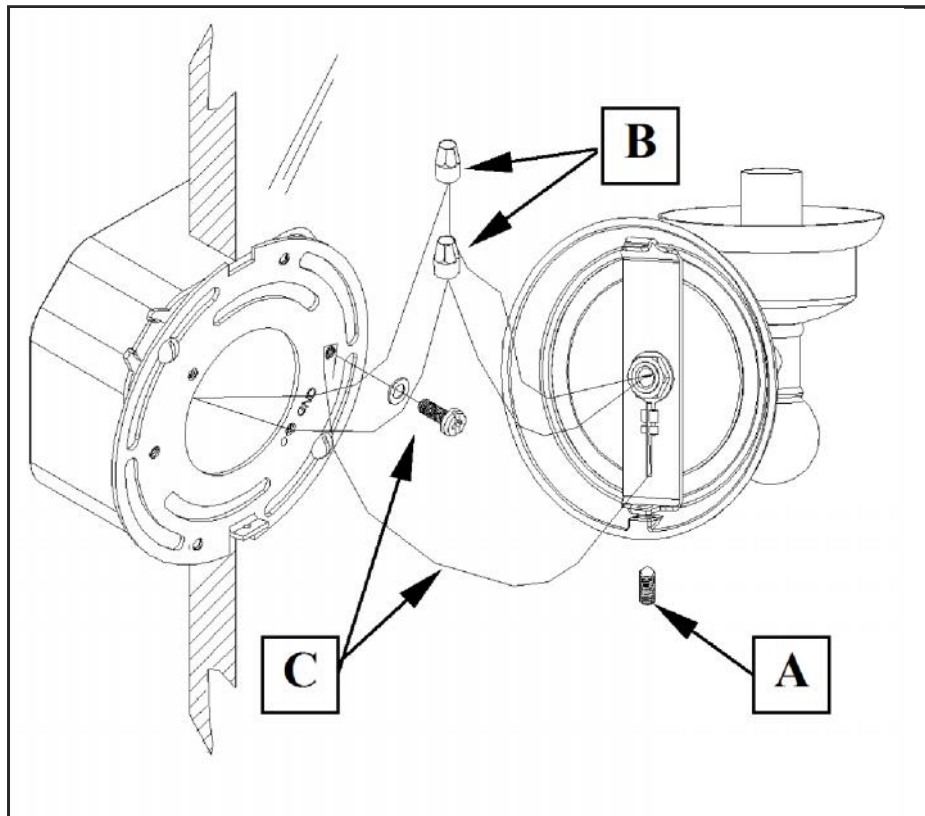
- A. Check fit the light fixture base over outlet box to ensure cutout in wall will be covered completely after installation.
- B. Pull live, neutral and ground wire(s) out of electrical outlet box and through the center of mount plate.
- C. Thread mounting screws through mount plate and attach to outlet box.
- D. Be sure mount plate is straight with notch located at the top, tab at the bottom and flush with wall surface.



## 2 Wire Light Fixture to Outlet (for shade up installation)

Support Fixture during wiring process.

- A. First attach setscrew into fixture base.
- B. Strip, clean and twist together black fixture wire with live outlet wire. Next, strip, clean and twist together white fixture wire with neutral outlet wire. Use wire nuts to secure connections and cover all exposed wires.
- C. Connect fixture/outlet ground wire(s) to mount plate using washer and ground screw.



### **3 Mount Light Fixture to Wall (for shade up installation)**

- A. Tuck wires back into the electrical outlet box behind Wall Mount Plate.
- B. Rotate fixture slightly to locate the strap hook into wall plate notch, located at the top.
- C. Continue rotating down to locate setscrew slot into wall plate tab, located at the bottom.
- D. Tighten setscrew to firmly secure fixture into place.
- E. After completing wall mount installation, remove retaining nut from socket and install shade(s). Secure into place by threading retaining nut (flange down) onto light socket. Do not over tighten.
- F. Install bulb(s), (Max. 60 watt, Type B, Candelabra Base Bulb - not included). Turn on power.

