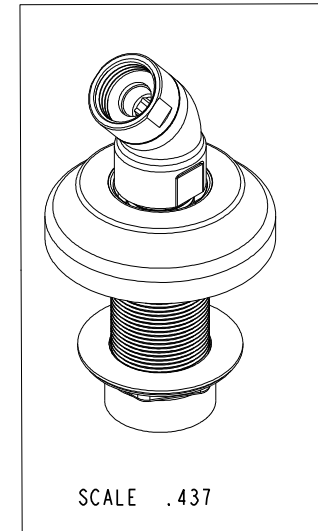
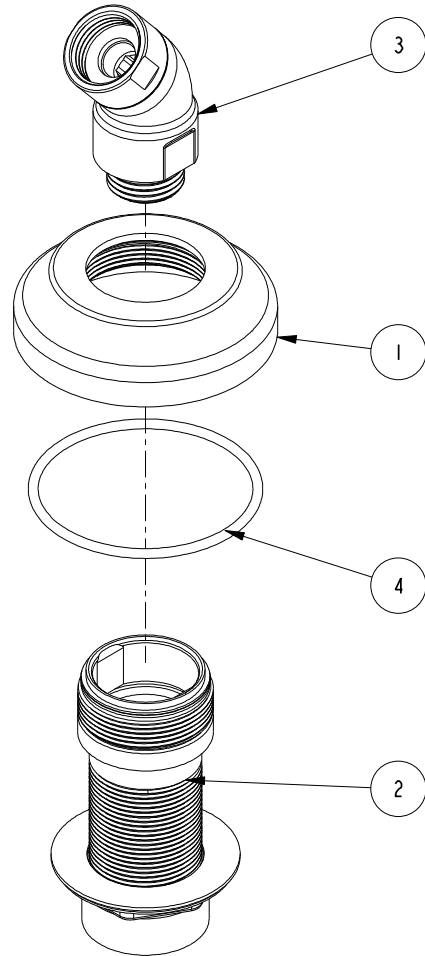


| BILL OF MATERIAL (CURRENT LEVEL) |         |                              |          |      |
|----------------------------------|---------|------------------------------|----------|------|
| ITEM                             | PT/ASSY | DESCRIPTION                  | TYPE     | QTY. |
| 1                                | 12101   | HAND SHOWER ESCUTCHEON       | PART     | 1    |
| 2                                | 5-011   | MOUNTING HDW FOR DECK FLANGE | ASSEMBLY | 1    |
| 3                                | 2-846   | HAND SHOWER ELBOW ASM        | ASSEMBLY | 1    |
| 4                                | 91150   | O-RING #2-140                | PART     | 1    |



COPYRIGHT 2005 BRASSTECH, INC. THESE DRAWINGS AND THE DESIGNS DEPICTED HEREIN ARE THE PROPRIETARY PROPERTY OF BRASSTECH. ANY USE OR REPRODUCTION IS SUBJECT TO THE EXPRESS APPROVAL OF BRASSTECH. UNAUTHORIZED USE IS STRICTLY PROHIBITED. ALL RIGHTS RESERVED.

**BRASSTECH**  
INCORPORATED

2001 E. CARNEGIE AVE.  
SANTA ANA, CA 92705  
(949) 417-5207

DECK FLANGE KIT

ASSY. NO. 289-6

SCALE .500 REF. - SHEET | OF | REV REV DESC DATE

|   |         |          |
|---|---------|----------|
| C | EN-2214 | 07/09/12 |
| B | EN-2143 | 04/18/12 |
| A | EN-2110 | 04/05/12 |
| - | EN-1763 | 05/17/11 |