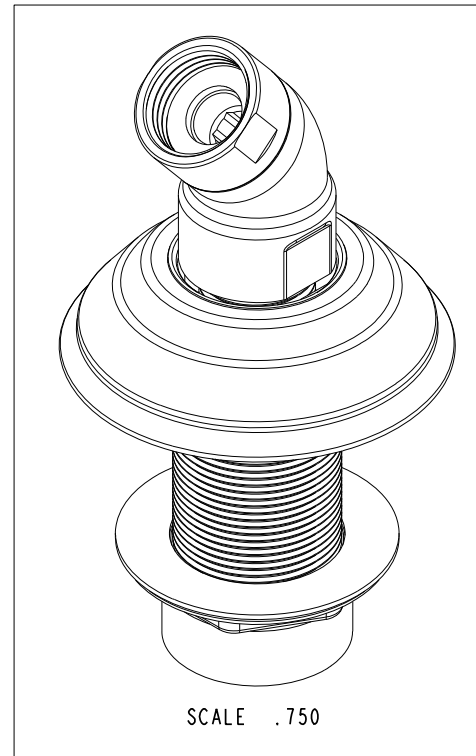
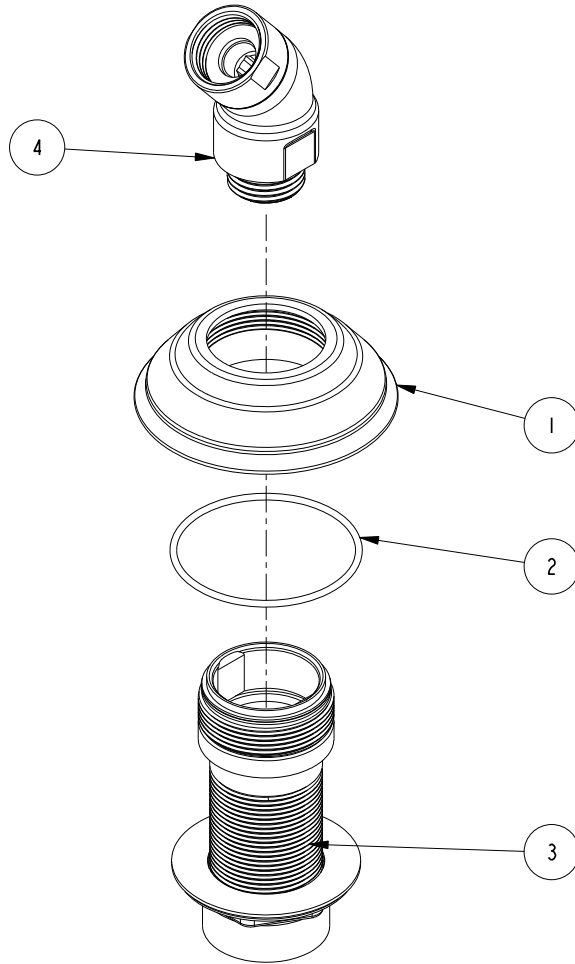


BILL OF MATERIAL (CURRENT LEVEL)				
ITEM	PT/ASSY	DESCRIPTION	TYPE	QTY.
1	11653	HANDLE ESCUTCHEON	PART	1
2	91498	O-RING #2-032 BUNA-N, SHORE 65-76	PART	1
3	5-011	MOUNTING HDW FOR DECK FLANGE	ASSEMBLY	1
4	2-846	HAND SHOWER ELBOW ASM	ASSEMBLY	1



COPYRIGHT 2005 BRASSTECH, INC. THESE DRAWINGS AND THE DESIGNS DEPICTED HEREIN ARE THE PROPRIETARY PROPERTY OF BRASSTECH. ANY USE OR REPRODUCTION IS SUBJECT TO THE EXPRESS APPROVAL OF BRASSTECH. UNAUTHORIZED USE IS STRICTLY PROHIBITED. ALL RIGHTS RESERVED.

**BRASSTECH**  
INCORPORATED  
2001 E. CARNEGIE AVE.  
SANTA ANA, CA 92705  
(949) 417-5207

DECK FLANGE KIT

ASSY. NO. 289-5

SCALE .500

REF. -

SHEET | OF |

B	EN-2143	04/18/12
A	EN-2110	04/05/12
-	EN-1763	05/17/11
REV	REV DESC	DATE