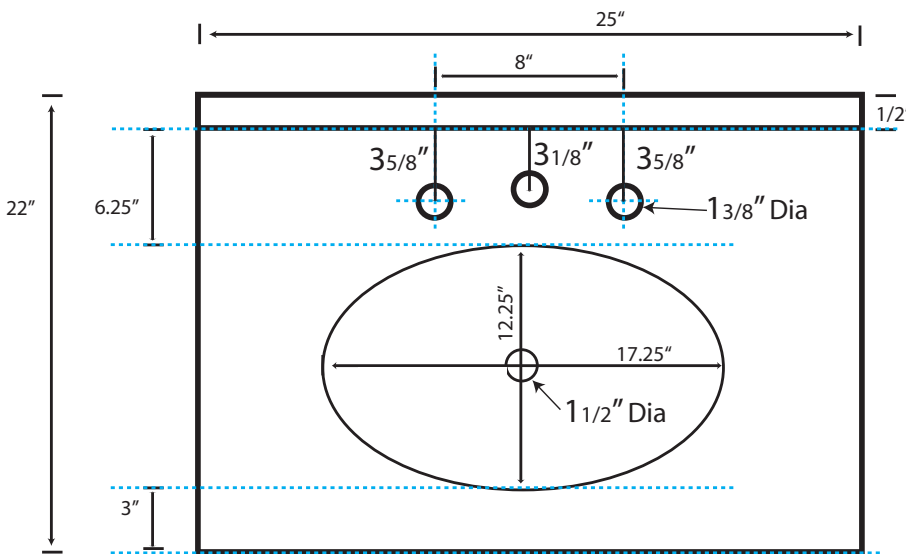


# SPECIFICATIONS

## 24" Sedona Vanity Top



### FEATURES

- \* 25" x 22" OD
- \* Hand hammered 16 gauge copper
- \* 3.5" Backsplash
- \* Basin 17.25" x 12.25" x 5.25"
- \* Pre-drilled for 8" faucet spread
- \* Dimensions are not exact and may vary 1/2"

### FINISHES

- \* Antique - VNT242
- \* Brushed Nickel - VNT245

### COORDINATING ACCESSORIES

- \* Drains: DR120, DR140, DR160

### STANDARDS COMPLIANCE

- \* IAPMO Listed

### IMPORTANT

Due to the handcrafted nature of this product, it will vary in finish, texture, hammering, and other details. Dimensions may vary up to 1/2". We strongly recommend that you wait for the actual product before making any installation cuts.