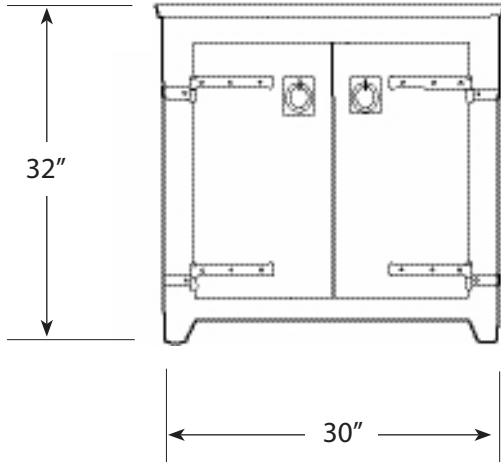


SPECIFICATIONS

30" Old World Vanity Base



FEATURES

- * 30"w x 21.5"d x 32"h
- * Reclaimed wood
- * Hand forged iron hinges and handles
- * Enclosed back

FINISHES

- * Chestnut Finish - VNB301
- * Whitewash Finish - VNB300
- * Black Finish - VNB308
- * Olive Finish - VNB307

INSTALLATION

- * Freestanding base (top sold separately)

COORDINATING ACCESSORIES

- * Tuscany and Sedona vanity tops

IMPORTANT

Due to the handcrafted nature of this product, it will vary in finish, texture, and other details. Dimensions may vary up to 1/2".

