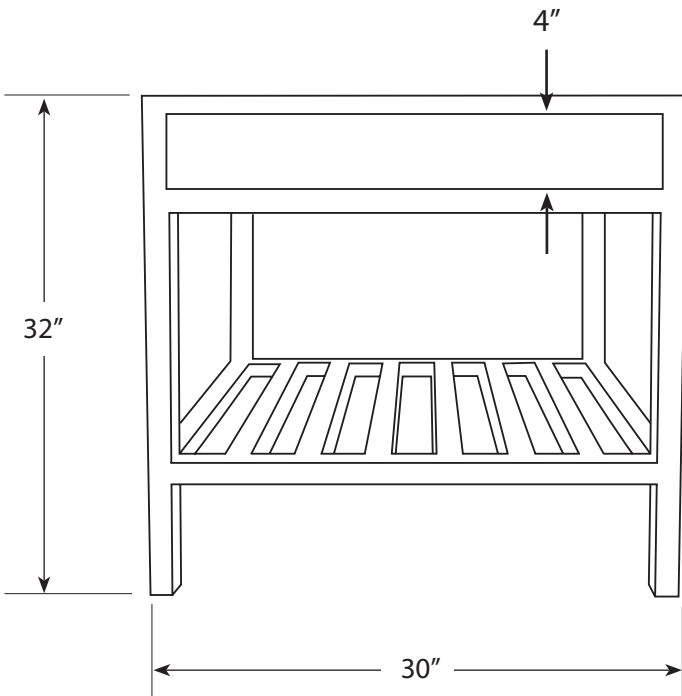


SPECIFICATIONS

30" Cuzco Vanity Base



FEATURES

- * 30"w x 21.5"d x 32"h
- * Iron with hand hammered copper accent panels

FINISHES

- * Antique Finish - VNR302
- * Brushed Nickel Finish - VNR305

INSTALLATION

- * Freestanding base (top sold separately)

COORDINATING ACCESSORIES

- * Tuscany and Sedona Vanity Tops

IMPORTANT

Due to the handcrafted nature of this product, it will vary in finish, texture, and other details. Dimensions may vary up to 1/2".

