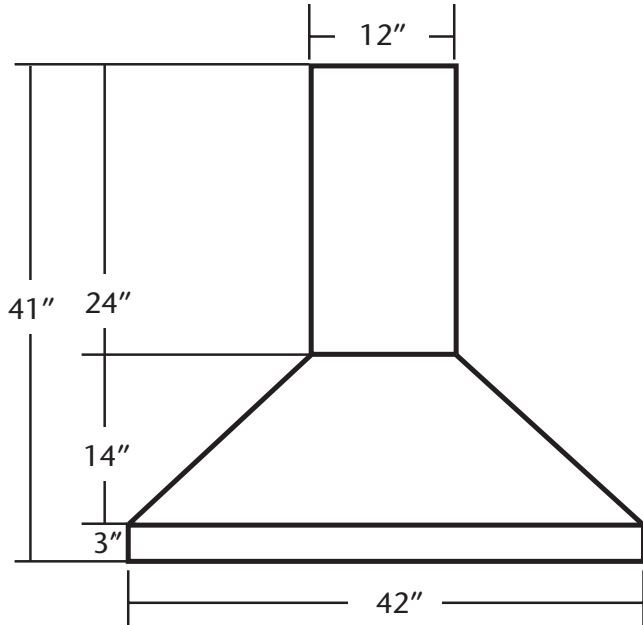
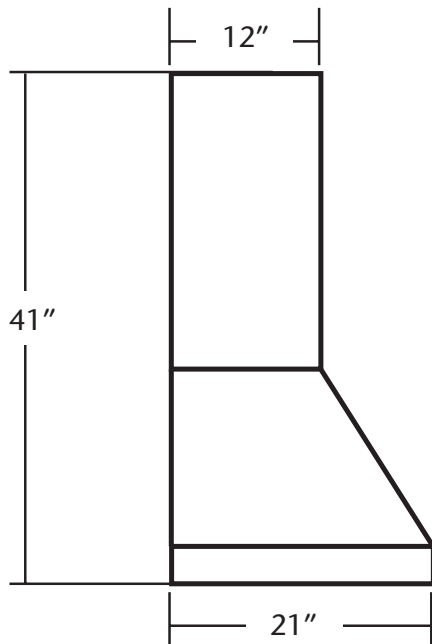


42" RANGE HOOD

Front View



Side View



FEATURES

- * 42" w x 21" d x 41" h
- * Hand hammered 16 gauge copper
- * Professional grade ventilation system
- * Highly efficient baffle filtration
- * 600 CFM motor with variable speed control
- * Dimmer controlled Halogen lighting
- * Custom sizes available

FINISHES

- * Antique - CPR422
- * Brushed Nickel - CPR425

INSTALLATION

- * Wall Mounted

STANDARDS COMPLIANCE

- * UL Listed

IMPORTANT

Due to the handcrafted nature of this product, it will vary in finish, texture, hammering, and other details. Dimensions may vary up to 1/2".