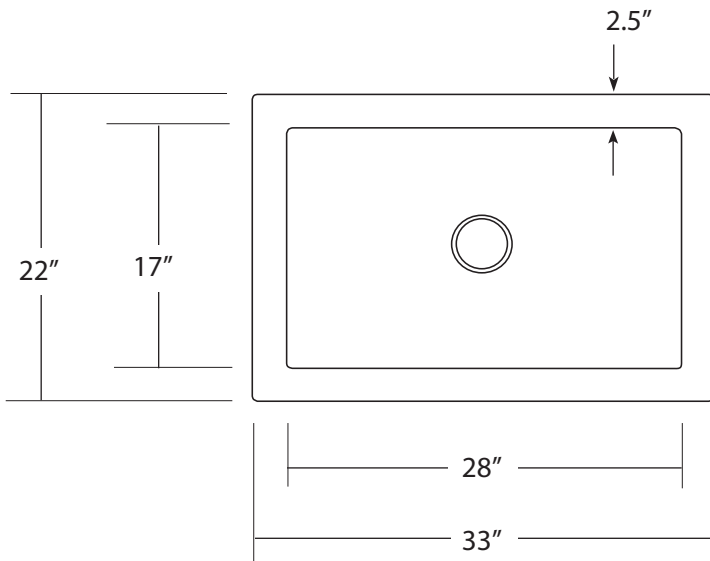


SPECIFICATIONS FOR
FARMHOUSE 33



CPS273- Antique
CPS573- Brushed Nickel

PRODUCT DETAILS

- * 33" x 22" x 10.5" OD
- * 28" x 17" x 10" ID
- * Hand hammered 16 gauge recycled copper
- * Apron extends 3.5" on sides
- * 3.5" drain opening
- * Dimensions are not exact and may vary $\pm 1/2"$

INSTALLATION

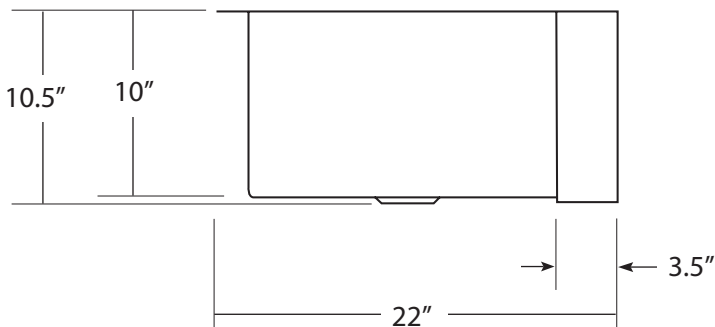
- * Undermount

COORDINATING PRODUCTS

- * Drains: DR320 or DR340
- * Bottom Grid: GR972

STANDARDS COMPLIANCE

- * IAPMO Listed / cUPC



IMPORTANT

Due to the handcrafted nature of this product, it will vary in finish, texture, hammering, and other details. Dimensions may vary up to 1/2". We strongly recommend that you wait for the actual product before making any installation cuts.