

PATIOFLAME TABLE

Refer to the Patioflame main manual for complete operating, cleaning, and maintenance instructions.

Wolf Steel Ltd., 24 Napoleon Rd., Barrie, ON, L4M 0G8 Canada /
103 Miller Drive, Crittenden, Kentucky, USA, 41030
Phone (705)721-1212 • Fax (705)722-6031 • www.napoleonfireplaces.com • ask@napoleonproducts.com

**RETAIN THIS MANUAL FOR FUTURE REFERENCE.
GARDER CE LIVRE POUR RÉFÉRENCES FUTURES**

FULL ONE-YEAR WARRANTY

Napoleon warrants this product against any defects in material or workmanship for a period of one year from original date of purchase (to the original purchaser only). This warranty does not include damages due to misuse, lack of maintenance, hostile environments, accidents, alterations, abuse or neglect. This limited warranty further does not cover any scratches, dents, painted finishes, corrosion or discoloring by heat, abrasive and chemical cleaners. Parts installed from other manufacturers will nullify this warranty.

WARNINGS

Refer to the Patioflame manual for complete operating instructions for the Patioflame.

Use only outdoors as indoor use risks fire hazard and carbon monoxide poisoning.

Operate only in well-ventilated areas: never in enclosed spaces, such as a garage or under any overhead construction.

Do not use near combustible materials.

Keep children and pets away from unit while operating, surfaces will become very hot.

Use care when working near open fire. Loose clothing, such as shirt sleeves, can easily catch fire.

Never attempt to move the unit while operating.

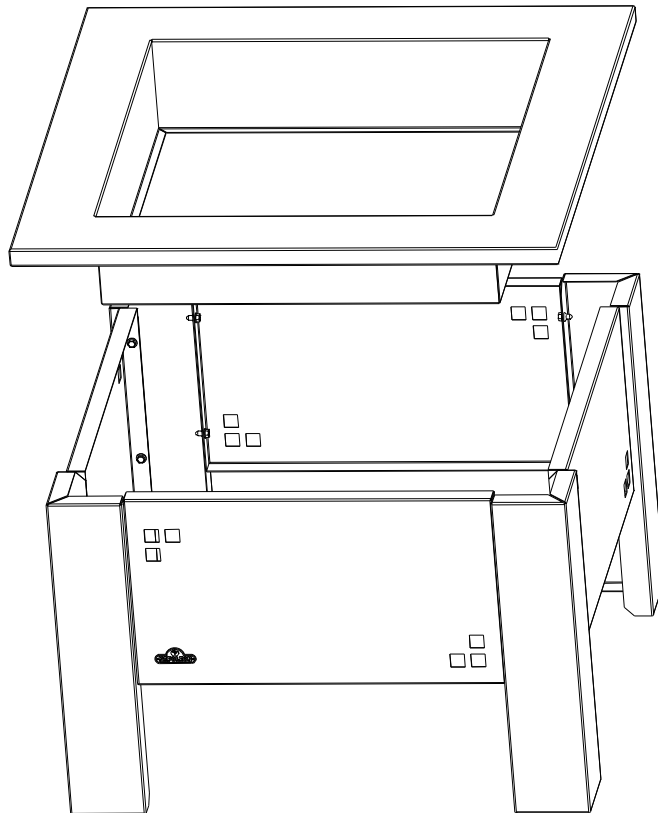
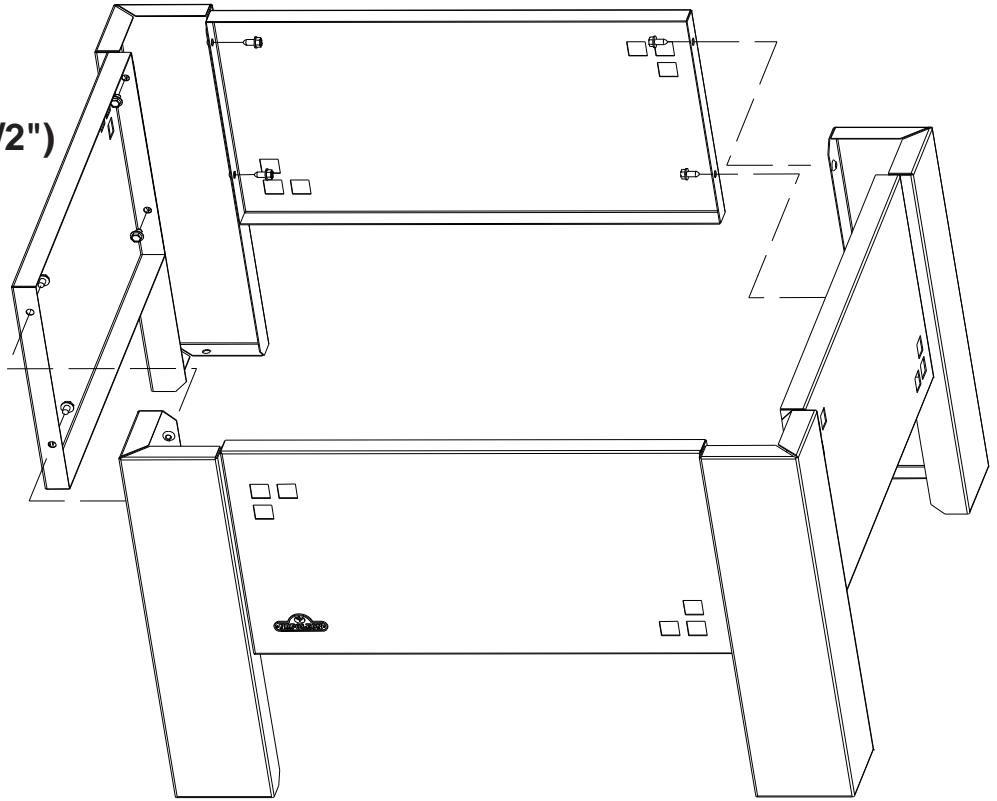
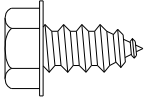
Make sure unit is cool before moving, it will remain hot for a very long time after use.

Do not store propane bottle underneath Patioflame Table.

If Patioflame unit is to be hard piped to a natural gas or propane supply, the Patioflame Table must be lag bolted (not supplied) to the surface it is sitting on to prevent movement.

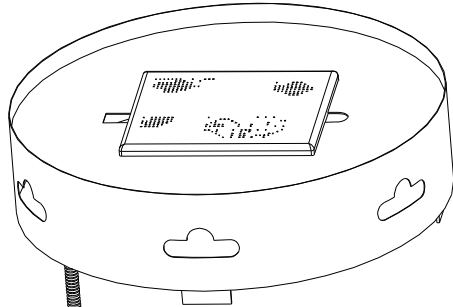
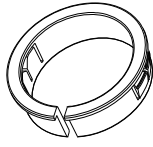
Do not operate the Patioflame if any part of this table has been damaged. Repair or replace the damaged component before operating this gas appliance.

16 x
N570-0080 (#14 x 1/2")



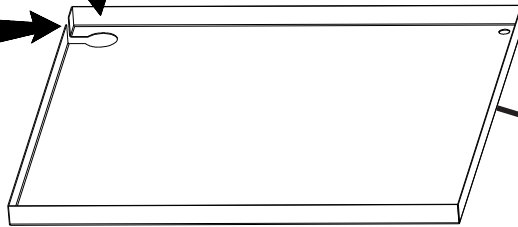
1 x N105-0012

1.500" SPLIT BUSHING

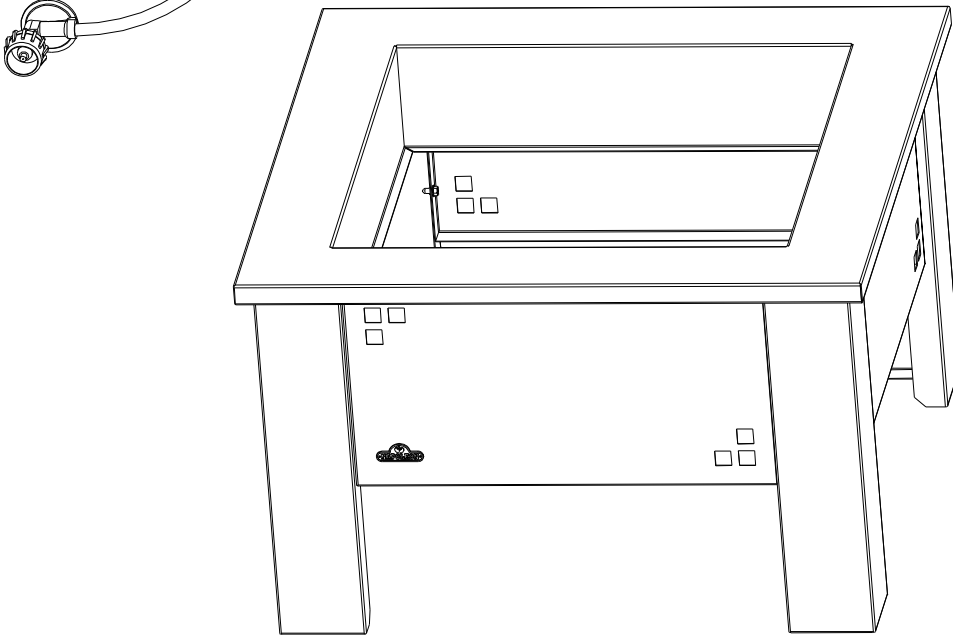


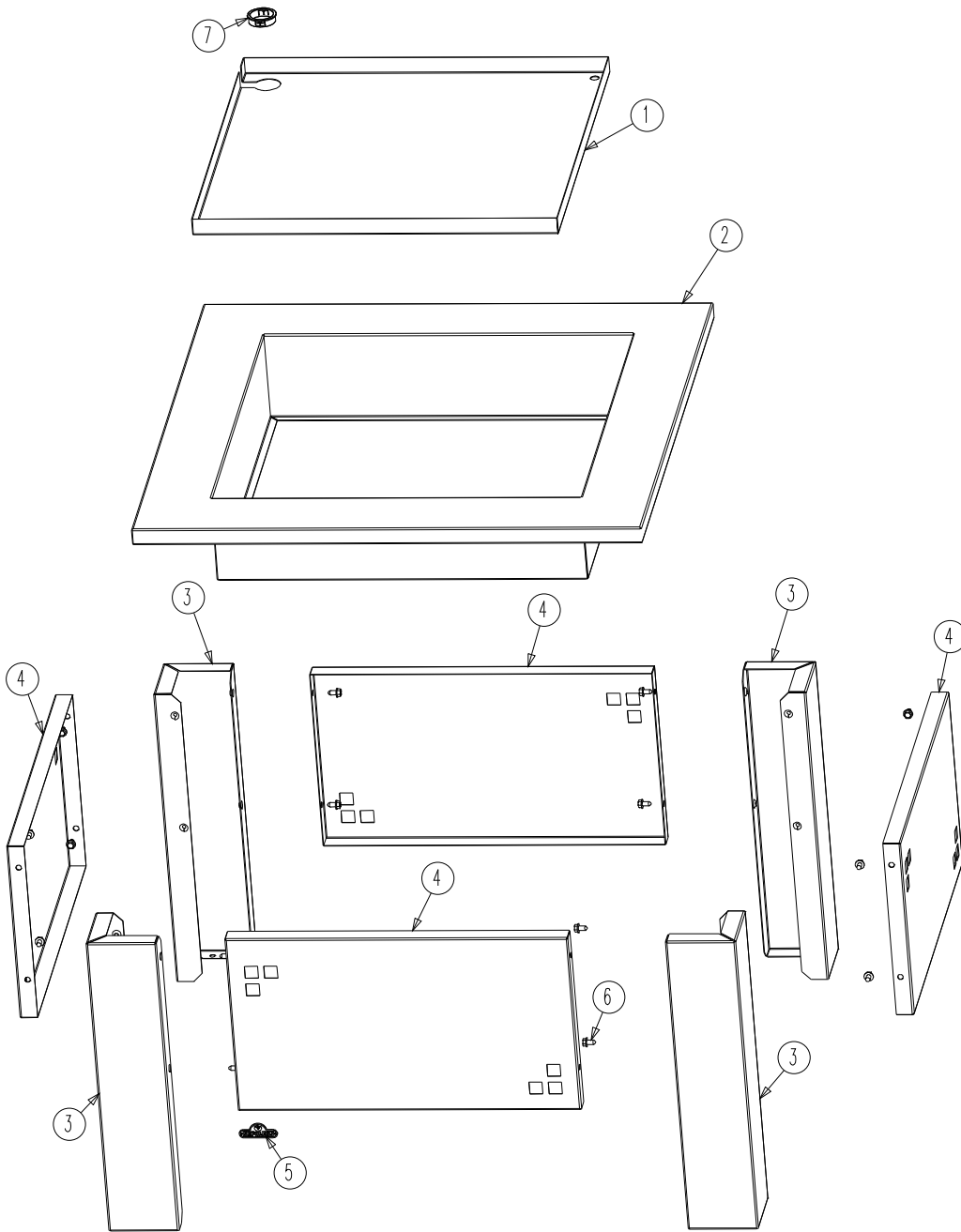
Install the bushing around the flexible connector and snap it into the hole in the tray.

The open areas between the Patioflame and the table may be filled with minimum 2" diameter stone, and covered with the included lava rock.



Install the tray with the flanges facing up if using the optional granite top trim.





Item	Part #	Description
1	n080-0243p	support, patio flame
2	n010-0611	top panel
3	n075-0082p	leg
4	n475-0250	side panel
5	w385-0334	logo, NAPOLEON
6	n570-0080	#14 x 1/2" screw
7	n105-0012	snap bushing
	w550-0006	lava rock