

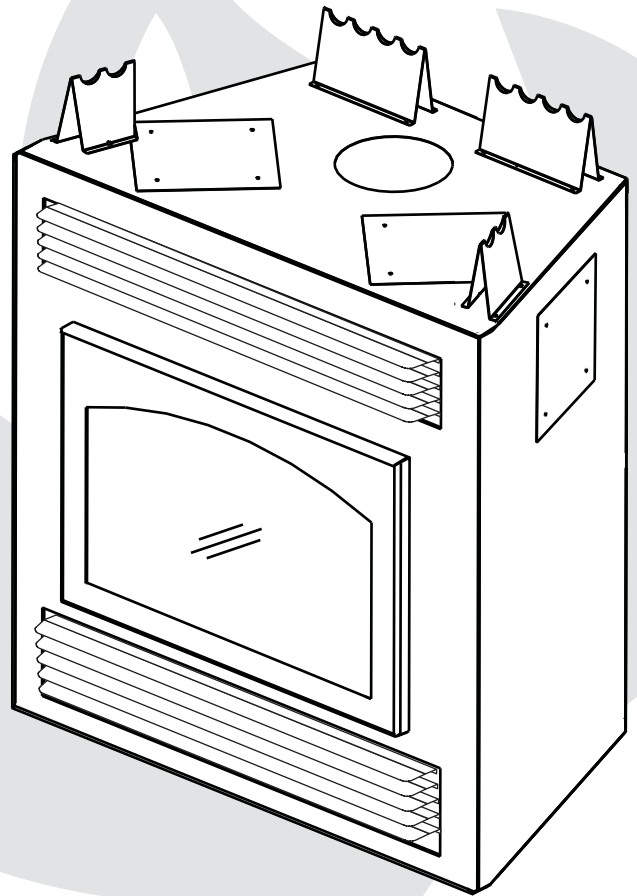
INSTALLER: LEAVE THIS MANUAL WITH THE APPLIANCE.
CONSUMER: RETAIN THIS MANUAL FOR FUTURE REFERENCE.



INSTALLATION AND OPERATING INSTRUCTIONS

THIS FIREPLACE HAS BEEN TESTED AND LISTED BY INTERTEK TESTING SERVICES TO STANDARDS: CAN/ULC S610, UL 127, FOR ZERO CLEARANCE FIREPLACES, AND TO ULC S639 FOR STEEL LINER ASSEMBLIES FOR SOLID FUEL BURNING MASONRY FIREPLACES. CERTIFIED UNDER USA ENVIRONMENTAL PROTECTION AGENCY (E.P.A.) JULY 1990 AND THE OREGON DEPARTMENT OF ENVIRONMENTAL QUALITY (D.E.Q.) PARTICULATE EMISSION STANDARDS

NZ-26



SAFETY INFORMATION

WARNING

If the information in these instructions are not followed exactly, a fire or explosion may result causing property damage, personal injury or death.

Please read entire manual before you install and use your heater.

This heater has not been tested with an unvented gas log set. To reduce risk of fire or injury, do not install an unvented gas log set into the heater.

- This heater can be very hot when burning.
- Combustible materials such as firewood, wet clothing, etc. placed too close can catch fire.
- Children and pets must be kept from touching the heater when it is hot.
- The chimney must be sound and free of cracks. Before installing this unit, contact the local building or fire authority and follow their guidelines.
- Operate only with the doors tightly closed.
- Burn wood behind the log retainer directly on the firebricks.
- Do not use an elevated grate or otherwise raise the fire.
- This heater is designed to burn natural wood only. Higher efficiencies and lower emissions generally result when burning air dried seasoned hardwoods, as compared to softwoods or to green or freshly cut hardwoods.
- Do not start a fire with chemicals or fluids such as gasoline, engine oil, etc.
- Do not burn treated wood, coal, charcoal, coloured paper, cardboard, solvents or garbage.
- Do not let the heater become hot enough for any part to glow red.



APPLY SERIAL NUMBER LABEL FROM CARTON



Wolf Steel Ltd., 24 Napoleon Rd., Barrie, ON, L4M 4Y8 Canada /
103 Miller Drive, Crittenden, Kentucky, USA, 41030

Phone (705)721-1212 • Fax (705)722-6031 • www.napoleonfireplaces.com • ask@napoleonproducts.com

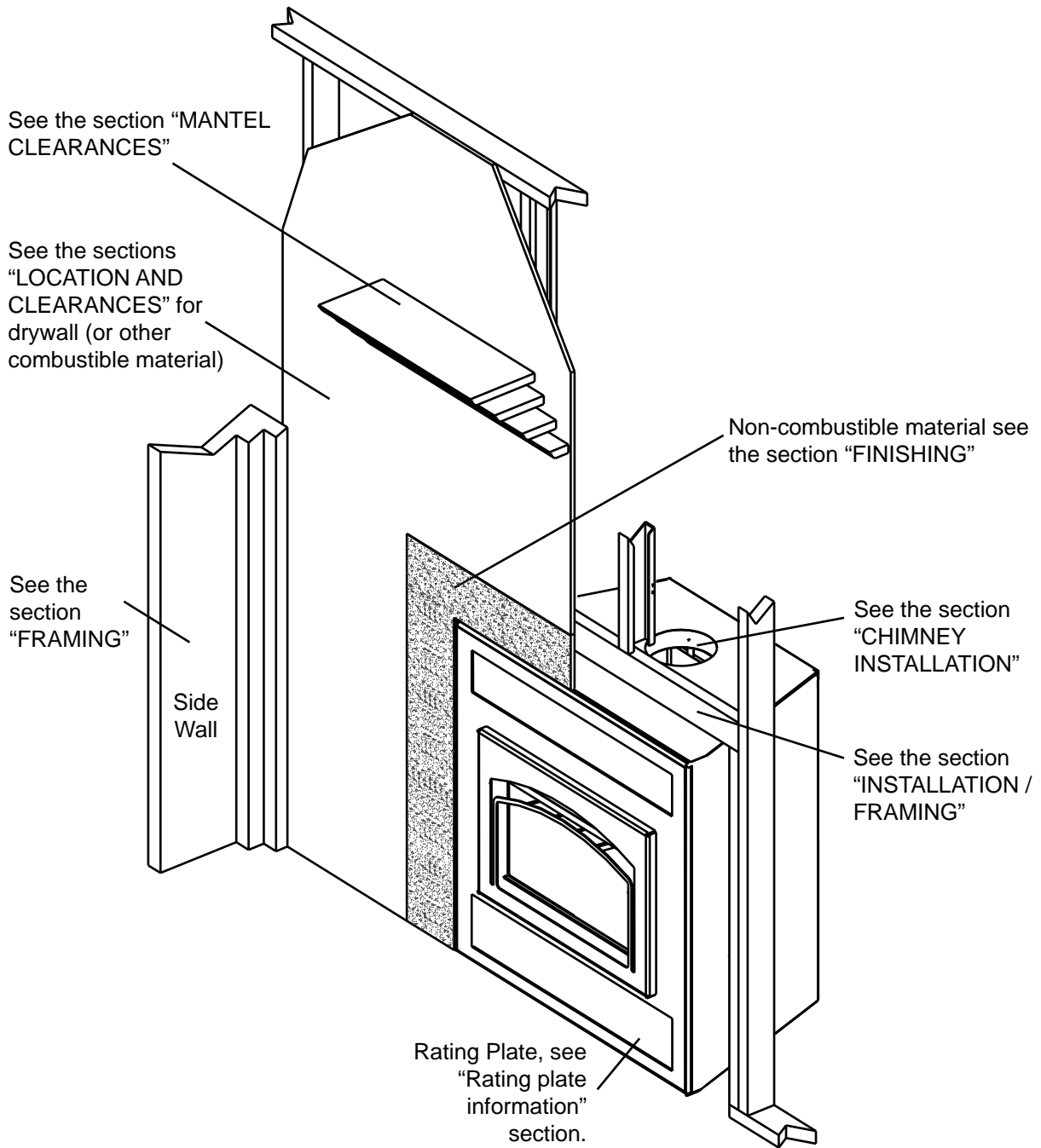
TABLE OF CONTENTS

1.0	INSTALLATION OVERVIEW	3
2.0	INTRODUCTION	4
	2.1 DIMENSIONS	5
	2.2 GENERAL INSTRUCTIONS	5
	2.3 GENERAL INFORMATION	6
	2.3.1 EPA COMPLIANCE	7
	2.4 RATING PLATE INFORMATION	7
	2.5 HI-EFFICIENCY HEATING	8
3.0	INSTALLATION PLANNING	10
	3.1 LOCATION AND CLEARANCES	10
	3.2 OUTSIDE COMBUSTION AIR	11
	3.3 HEARTH EXTENSION	11
4.0	INSTALLATION	12
	4.1 CHIMNEY	12
	4.2 ADDING CHIMNEY SECTIONS	14
	4.3 OFFSET CHIMNEY INSTALLATION	15
	4.4 INSTALLING FLASHING AND STORM COLLAR	16
	4.5 TYPICAL EXISTING MASONRY	16
5.0	FRAMING	17
	5.1 MINIMUM CLEARANCE TO COMBUSTIBLES	18
	5.2 MINIMUM ENCLOSURE CLEARANCES	19
	5.3 MINIMUM MANTEL CLEARANCES	21
6.0	FINISHING	22
	6.1 DOOR HANDLE INSTALLATION	22
	6.2 TOP FIREBOX AND BAFFLE INSTALLATION	22
	6.3 LOGO INSTALLATION	25
7.0	OPTIONAL INSTALLATION	26
	7.1 OPTIONAL BLOWER INSTALLATION	26
	7.2 COMBUSTION AIR CONTROL	27
8.0	OPERATION	28
	8.1 OPERATING SOUNDS AND SMELLS	28
	8.2 AIR CONTROL	28
	8.3 FIRE EXTINGUISHERS AND SMOKE DETECTORS	29
	8.4 FUEL	29
	8.5 LIGHTING THE FIRE	30
	8.5.1 OVERNIGHT BURN	32
	8.5.2 FLASH FIRES	33
	8.5.3 EXTENDED FIRE	33
	8.6 SMOKING	33
	8.7 RE-LOADING THE APPLIANCE	33
9.0	MAINTENANCE	34
	9.1 ASH REMOVAL PROCEDURES	34
	9.2 CREOSOTE FORMATION AND REMOVAL	34
	9.3 RUN-AWAY OR CHIMNEY FIRE	35
	9.4 CHIMNEY CLEANING	35
	9.5 GLASS REPLACEMENT	35
	9.6 CARE OF GLASS	36
	9.7 CARE OF PLATED PARTS	36
	9.8 GASKET / BAFFLE REPLACEMENT	36
	9.9 WOOD	37
10.0	REPLACEMENTS	38
11.0	TROUBLE SHOOTING GUIDE	40
12.0	WARRANTY	41
13.0	SERVICE HISTORY	42

NOTE: Changes, other than editorial, are denoted by a vertical line in the margin.

1.0 INSTALLATION OVERVIEW

! WARNING
THIS APPLIANCE AND ITS COMPONENTS ARE DESIGNED TO BE INSTALLED AND OPERATED AS A SYSTEM. ANY ALTERATION TO OR SUBSTITUTION FOR ITEMS IN THIS SYSTEM, UNLESS ALLOWED BY THESE INSTALLATION INSTRUCTIONS, WILL VOID THE WARNOCK HERSEY LISTING AND MAY VOID THE PRODUCT WARRANTY. IT MAY ALSO CREATE A HAZARDOUS INSTALLATION. READ THROUGH THESE INSTRUCTIONS THOROUGHLY BEFORE STARTING YOUR INSTALLATION AND FOLLOW THEM CAREFULLY THROUGHOUT YOUR PROJECT.

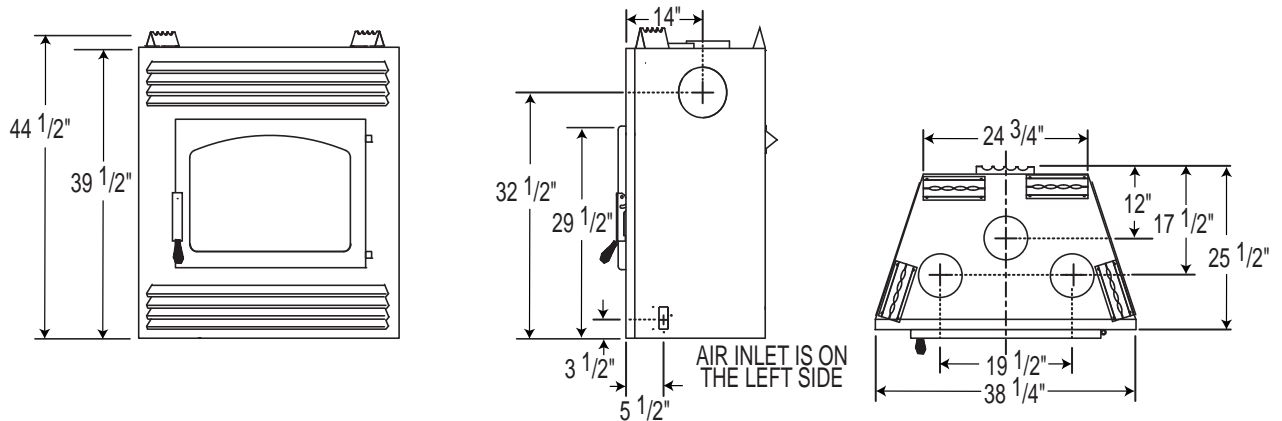


2.0 INTRODUCTION

 **WARNING**

- **THIS APPLIANCE IS HOT WHEN OPERATED AND CAN CAUSE SEVERE BURNS IF CONTACTED.**
- Do not operate appliance before reading and understanding operating instructions. Failure to operate appliance according to operating instructions could cause fire or injury.
- Risk of burns. The appliance should be turned off and cooled before servicing.
- Do not operate without fully assembling all components.
- Do not install damaged, incomplete or substitute components.
- Risk of cuts and abrasions. Wear protective gloves and safety glasses during installation. Sheet metal edges may be sharp.
- Young children should be carefully supervised when they are in the same room as the appliance. Toddlers, young children and others may be susceptible to accidental contact burns. A physical barrier is recommended if there are at risk individuals in the house. To restrict access to an appliance or stove, install an adjustable safety gate to keep toddlers, young children and other at risk individuals out of the room and away from hot surfaces.
- Clothing or other flammable material should not be placed on or near the appliance.
- Due to high temperatures, the appliance should be located out of traffic and away from furniture and draperies.
- Ensure you have incorporated adequate safety measure to protect infants/toddlers from touching hot surfaces.
- Even after the appliance is out, the glass and/or screen will remain hot for an extended period of time.
- Check with your local hearth specialty dealer for safety screens and hearth guards to protect children from hot surfaces. These screens and guards must be fastened to the floor.
- Any safety screen or guard removed for servicing must be replaced prior to operating the appliance.
- It is imperative that the control compartments, burners and circulating blower and its passageway in the appliance and venting system are kept clean. The appliance and its venting system should be inspected before use and at least annually by a qualified service person. More frequent cleaning may be required due to excessive lint from carpeting, bedding material, etc. The appliance area must be kept clear and free from combustible materials, gasoline and other flammable vapors and liquids.
- Under no circumstances should this appliance be modified.
- Do not use this appliance if any part has been under water. Immediately call a qualified service technician to inspect the appliance and to replace any part of the control system and any gas control which has been under water.
- Do not operate the appliance with the glass door removed, cracked or broken. Replacement of the glass should be done by a licensed or qualified service person.
- Do not strike or slam shut the appliance glass door.
- Only doors / optional fronts certified with the unit are to be installed on the appliance.
- Keep the packaging material out of reach of children and dispose of the material in a safe manner. As with all plastic bags, these are not toys and should be kept away from children and infants.
- If the appliance is not properly installed, a house fire may result. Do not expose the appliance to the elements (ex. rain, etc.) and keep the appliance dry at all times. Wet insulation will produce an odour when the appliance is used.
- The chimney must be sound and free of cracks. Clean your chimney a minimum of twice a year and as required.
- The appliance is designed to burn natural wood only. Do not burn treated wood, coal, charcoal, coloured paper, cardboard, solvents or garbage. This appliance has not been tested with an unvented gas log set. To reduce risk of fire or injury, do not install an unvented gas log set into the appliance.
- Do not start a fire with chemicals or fluids such as gasoline, engine oil, etc.
- Operate only with the doors tightly closed.
- Do not let the appliance become hot enough for any part to glow red.
- Higher efficiencies and lower emissions generally result when burning air dried seasoned hardwoods, as compared to softwoods or too green or freshly cut hardwoods. Burning wet unseasoned wood can cause excessive creosote accumulation. When ignited it can cause a chimney fire that may result in a serious house fire.
- Burn wood behind the log retainer directly on the firebricks. Do not use elevated grate or otherwise raise the fire.
- Do not store the wood within appliance installation clearances or within the space required for re-fueling and ash removal.
- Your appliance requires periodic maintenance and cleaning. Failure to maintain your appliance may lead to smoke spillage in your home.

2.1 DIMENSIONS

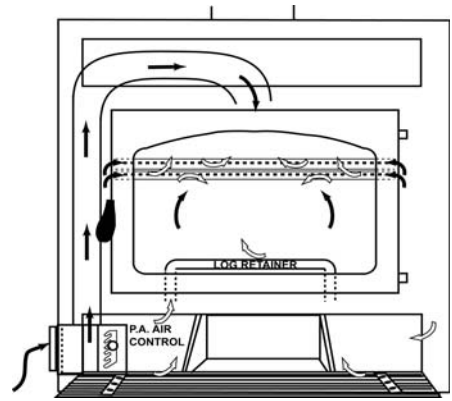


2.2 GENERAL INSTRUCTIONS

! WARNING
BEFORE INSTALLING THIS APPLIANCE, CONTACT THE LOCAL BUILDING OR FIRE AUTHORITY AND FOLLOW THEIR GUIDELINES.
THIS APPLIANCE MUST BE INSTALLED BY A QUALIFIED INSTALLER. FOLLOW THE INSTALLATION DIRECTIONS. DO NOT OPERATE WITHOUT FULLY ASSEMBLING ALL COMPONENTS.
IF THIS APPLIANCE IS NOT PROPERLY INSTALLED, A HOUSE FIRE MAY RESULT.
DO NOT EXPOSE THE APPLIANCE TO THE ELEMENTS (EX. RAIN, ETC.) AND KEEP THE APPLIANCE DRY AT ALL TIMES. WET INSULATION WILL PRODUCE AN ODOUR WHEN THE APPLIANCE IS USED.
THIS APPLIANCE IS HOT WHEN OPERATED AND CAN CAUSE SEVERE BURNS IF CONTACTED. CHILDREN AND PETS MUST BE KEPT FROM TOUCHING THE APPLIANCE WHEN IT IS HOT. CONTACT YOUR LOCAL AUTHORIZED DEALER / DISTRIBUTOR FOR SAFETY SCREENS THAT MAY BE AVAILABLE FOR THIS PRODUCT.
COMBUSTIBLE MATERIAL SUCH AS FIREWOOD, WET CLOTHING, ETC. PLACED TOO CLOSE CAN CATCH FIRE. OBJECTS PLACED IN FRONT OF THE APPLIANCE MUST BE KEPT A MINIMUM OF 48" FROM THE FRONT OF THE APPLIANCE.
ALL WIRING SHOULD BE DONE BY A QUALIFIED ELECTRICIAN AND SHALL BE IN COMPLIANCE WITH LOCAL CODES AND WITH THE NATIONAL ELECTRIC CODE ANSI/NF NO. 70-CURRENT (IN THE UNITED STATES), OR WITH THE CURRENT CSA C22.1 CANADIAN ELECTRIC CODE (IN CANADA).

The chimney vent system used on your wood burning appliance should be designed with the least amount of restriction possible to enable the exhaust products to easily flow through it. Chimney vent systems that are too short or too long can also have an adverse affect on the flow of exhaust through it. The wood burning appliance and chimney vent system also require a sufficient supply of combustion air not only to support the combustion in the combustion chamber but to replace the exhaust leaving it so it can flow freely up through the vent system and out into the atmosphere. It is the correct balance of combustion air and the chimney vent system that will ensure the appliance provides you with its optimum performance.

This is the most efficient, simple and trouble free wood burning system we know of and works as follows:



Primary combustion air enters through the air control inlet box regulated by a draft control, travels up the side through a duct and enters the top centre of the combustion chamber into a preheating airwash located across the top and then down the window to feed the fire and also to ensure that the glass remains clean.

Secondary air feeds directly into the combustion chamber at hearth level through the log retainer and also through inlets located at the bottom back corners of the combustion chamber. This air travels up the riser to the four secondary air tubes located at the top and shoots out laterally to oxidize the gases rising to the smoke exit.

The combustion chamber is lined with high-temperature firebrick on all sides, and across the bottom to maintain a high temperature in the combustion chamber so that gases mixing with the preheated air from the secondary air tubes are easily ignited and burned. The appliance sides and back permit a zero clearance installation and direct the heat upwards and forwards into the room. Be sure to provide sufficient combustion air. There are many other appliances in your home competing for air such as a kitchen range hood, forced air heating devices or a bathroom exhaust fan.

If the outside air feature is utilized, you will never experience a shortage of combustion air. If you choose not to utilize outside air and experience draft or smoking problems, you may need to open a door or window.

After extended periods of non-operation such as following a vacation or a warm weather season, the appliance may emit a slight odour for a few hours. This is caused by dust particles on the firebox burning off. Open a window to sufficiently ventilate the room.

2.3 GENERAL INFORMATION

! WARNING
DO NOT USE MAKESHIFT COMPROMISES DURING INSTALLATION.
DO NOT BLOCK OR RESTRICT AIR, GRILLE OR LOUVRE OPENINGS.
DO NOT ADD A HOOD.
BURNING YOUR APPLIANCE WITH THE DOOR OPEN OR AJAR CREATES A FIRE HAZARD THAT MAY RESULT IN A HOUSE AND/OR CHIMNEY FIRE.

All venting connections must be in compliance with the chimney manufacturers installation instructions.

Clearances referred to throughout this manual are the minimum requirements.

Expansion / contraction noises during heating up and cooling down cycles are normal and to be expected.

It is recommended that in all cases, the appliance be secured to the floor. Use the pallet packing brackets to accomplish this.

Mobile home installation requires that the appliance be secured to the floor. It is recommended that in all cases, the appliance be secured to the floor. Use the pallet packing brackets to accomplish this.

2.3.1 EPA COMPLIANCE

CALIFORNIA PROP 65 WARNING:

Use of this product may produce smoke which contains chemicals known to the State of California to cause cancer, birth defects, or other reproductive harm.

Your appliance must be installed in accordance with all national and local building code standards and the standard of Chimney and Appliances, Vents and Solid Fuel Burning Appliances NFPA #211. Consult the authority having jurisdiction (such as municipal building department, fire department, fire prevention bureau, etc.) to determine the need to obtain a permit. If you are in doubt about the proper installation for your situation, contact your dealer or local building or fire official. The manufacturer does not guarantee that this appliance and its options will completely heat your entire home.

NATIONAL FIREPLACE INSTITUTE




CERTIFIED
www.nficertified.org

We suggest that our woodburning hearth products be installed and serviced by professionals who are certified in the U.S. by the National Fireplace Institute® (NFI) as NFI Woodburning Specialists or who are certified in Canada by Wood Energy Technical Training (WETT).




2.4 RATING PLATE INFORMATION



LISTED FACTORY-BUILT FIREPLACE
TESTED TO: ULC S610, UL 127.

REFER TO FIREPLACE AND CHIMNEY MANUFACTURER'S INSTRUCTIONS AND BUILDING CODE FOR SAFE INSTALLATION AND OPERATION. DO NOT OBSTRUCT COMBUSTION AIR INLET. OPERATE ONLY WITH VIEWING DOOR CLOSED AND LATCHED. OPERATE ONLY WITH FIREBRICK IN PLACE. MODEL NZ-26 ONLY. SUITABLE FOR INSTALLATION IN A MOBILE HOME (USA ONLY)



Reference # 15122

CAUTION: HOT WHILE IN OPERATION. DO NOT TOUCH. KEEP CHILDREN, CLOTHING, AND FURNITURE AWAY. CONTACT MAY CAUSE SKIN BURNS.

MINIMUM CLEARANCE TO COMBUSTIBLES (BOTH UNITS)	
A: MINIMUM OUTLET AREA (PER CHANNEL)	324SQ CM (50"SQ)
B: DO NOT BLOCK GRILLS	
C: SIDEWALL	533MM (21")
D	305MM (12")
E	152MM (6")

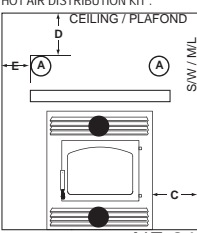
NZ-26 ONLY:	FRAMING MATERIALS: TOP, SIDES AND BACK: PER STAND-OFF SPACERS.
	FINISHING MATERIALS: SEE INSTALLATION MANUAL.
NZ-26WI ONLY:	FRAMING MATERIALS: BACK: PER STAND-OFF SPACER. TOP & SIDES: SEE INSTALLATION MANUAL
	FINISHING MATERIALS: SEE INSTALLATION MANUAL.

BASE OF UNIT TO CEILING:	NZ-26	NZ-26WI
VENTED ENCLOSURE:	1,828MM (72")	2,133MM (84")
NON-VENTED ENCLOSURE:	2,133MM (84")	N/A

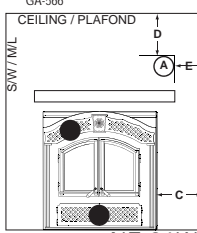
A 51MM (2") WIDE MANTLE MUST BE LOCATED MINIMUM 610MM (24") ABOVE FIREPLACE DOOR. (SEE INSTALLATION MANUAL)
 CHIMNEY: 51MM (2") (SEE MANUFACTURER'S INSTALLATION INSTRUCTIONS)
 COMBUSTIBLE MATERIALS MUST NOT BE PLACED ON THE BLACK PAINTED FACE OF THE UNIT.
 ADJACENT SIDEWALL MAY BE PLACED AT A 45° ANGLE FROM FRONT EDGE OF FIREPLACE.
 THIS UNIT MAY BE INSTALLED TO ULC S639, LISTED STEEL LINER ASSEMBLIES FOR SOLID FUEL BURNING MASONRY FIREPLACES.
 COMBUSTIBLE FLOOR MUST BE PROTECTED BY 9.5MM (3/8") MIN. THICK MILLBOARD OR EQUIVALENT TO A DISTANCE AT THE FRONT OF 457MM (18") AND AT THE SIDE OF THE FIREPLACE OPENING OF 203MM (8").
 FOR USE WITH SOLID WOOD FUEL ONLY. DO NOT OVERFIRE.
 REPLACE GLASS WITH CERAMIC GLASS ONLY.
 THIS UNIT NEEDS AIR FOR PROPER OPERATION AND MUST BE INSTALLED SO THERE ARE PROVISIONS FOR ADEQUATE COMBUSTION AND VENTILATION AIR.

CHIMNEY REQUIREMENTS: (SEE INSTALLATION MANUAL)
 CHIMNEY MUST BE CERTIFIED TO ONE OF THE FOLLOWING STANDARDS ULC S604, ULC S610 OR ULC S629 FOR CANADA OR UL 103HT OR UL 127 FOR THE UNITED STATES.
MASONRY CHIMNEY INSTALLATION:
 STAINLESS STEEL LINER MUST BE CERTIFIED TO ULC S640 OR ULC 639 FOR CANADA OR UL 1777 FOR THE UNITED STATES. US ENVIRONMENTAL PROTECTION AGENCY CERTIFIED TO COMPLY WITH JULY 1992 PARTICULATE EMISSION STANDARD.

OPTIONAL COMPONENTS:
 OUTSIDE AIR KIT: 111KT
 FAN KIT: NZ62
 THERMOSTATIC COMBUSTION AIR CONTROL: NZ690KT
 CENTRAL HEATING KIT: NZ62CH
 HOT AIR GRAVITY VENTS: NZ220
 HOT AIR DISTRIBUTION KIT: GA-566



NZ-26



NZ-26WI

MADE IN CANADA BY
WOLF STEEL LTD BARRIE ONTARIO, CANADA

SERIAL NO. / NO. DE SERIE: **NZ26**

DATE CODE / DE DATE:

W385-0354

This illustration is for reference only. Refer to the rating plate on the appliance for accurate information.

2.5 HI-EFFICIENCY HEATING

FIVE OPTIONS:

To operate this hi-efficiency appliance as a basic system, the blower is not required, however, to enhance its efficiency a blower is recommended.

A BLOWER KIT (NZ62):

This blower is installed in the bottom of the appliance and used to direct the heat into the room where the appliance is located. The blower is controlled, by a variable speed switch, located inside the appliance.

A THERMOSTATIC AIR CONTROL (NZ690KT):

This may be used for constant heat, complete with automatic damper and thermostat, wall mounted in the room containing the appliance, and at least 10 feet (minimum) from the appliance.

A HOT AIR GRAVITY VENT SYSTEM (NZ220):

This may be used to distribute heat to an adjoining room (located either above, or beside the room containing the appliance) by way of vents, eliminating the need of an additional blower. While this system may be used in conjunction with the optional blowers, it could reduce the flow of hot air being distributed to additional rooms. It must be experimented with and the dampers adjusted manually to suit your requirements. This may take a few attempts; thereafter adjustments should no longer be required as is normally experienced with your central heating system registers.

NOTE: The heat shield cover plate must be removed before installing the gravity vent. The hot air vent must be installed in an upward direction! NEVER install in a downward direction. The hot air gravity vent system is not to be connected to a central heating system (for this application use the NZ62CH). This option may not be used in mobile homes.

No more than two hot air gravity vents can be installed to appliance. Individual vent runs are not to exceed 10 feet. **All hot air gravity vents must be insulated.**



A central heating system (NZ62CH):

This may be used to heat rooms up to 50 feet from the appliance. A wall mounted thermostat located in the room to be heated controls the blower supplying warm air from the room containing the appliance. If a hot air duct system exists, the central heat blower may safely be tied into this system to reduce the amount of new ducting required. Consult with a heating specialist to ensure a proper duct layout for your home. If the NZ62CH is installed at the bottom of the appliance, it could introduce a cool draft into the room that the appliance is installed in.

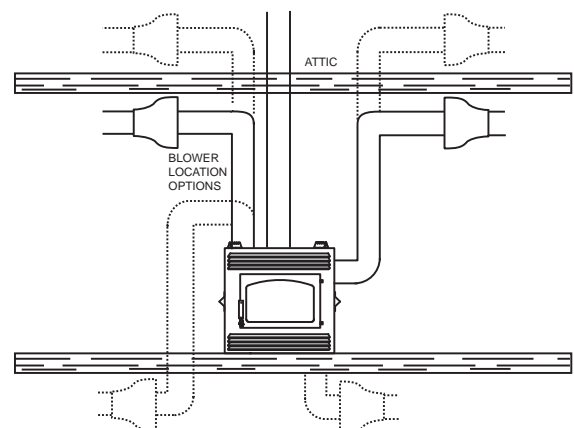
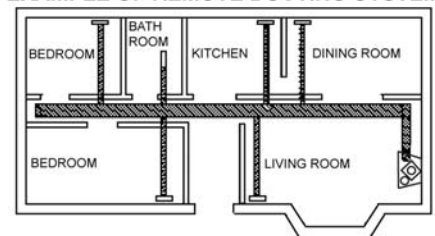
When attached to the top or sides of the appliance, it provides a higher heat output. This option may not be used in mobile homes.

A HOT AIR DISTRIBUTION KIT (GA-566):

This may be used to distribute warm air from the appliance base (only) into a separate location in the home.

These options may be incorporated with one another. If the optional blowers are to be installed, make provision during framing to route a 110 volt power line to the appliance. Detailed installation instructions are included with each venting kit.

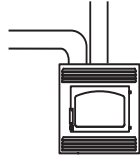
EXAMPLE OF REMOTE DUCTING SYSTEM



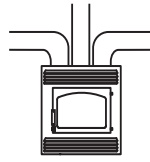
NO DUCTING



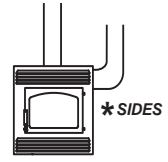
GRAVITY VENT OPTION (1 DUCT)



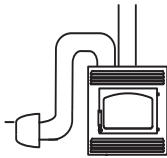
GRAVITY VENT OPTION (2 DUCTS)



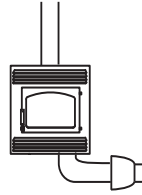
GRAVITY VENT OPTION



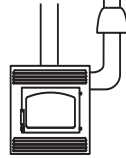
CENTRAL HEATING



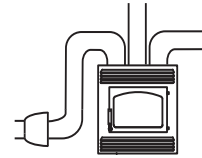
CENTRAL HEATING BOTTOM



CENTRAL HEATING




CENTRAL HEATING & GRAVITY VENT OPTION



* MASONRY APPLICATION ONLY

3.0 INSTALLATION PLANNING

 WARNING
WEAR GLOVES AND SAFETY GLASSES FOR PROTECTION.
CAREFULLY FOLLOW THE INSTRUCTIONS FOR ASSEMBLY OF THE PIPE AND OTHER PARTS NEEDED TO INSTALL THE APPLIANCE. FAILURE TO DO SO MAY RESULT IN A FIRE, ESPECIALLY IF COMBUSTIBLES ARE TOO CLOSE TO THE APPLIANCE OR CHIMNEY AND AIR SPACES ARE BLOCKED, PREVENTING THE FREE MOVEMENT OF COOLING AIR.
DO NOT DRAW OUTSIDE AIR FROM GARAGE SPACES. EXHAUST PRODUCTS OF GASOLINE ENGINES ARE HAZARDOUS. DO NOT INSTALL OUTSIDE AIR DUCTS SUCH THAT THE AIR MAY BE DRAWN FROM ATTIC SPACES, BASEMENTS OR ABOVE THE ROOFING WHERE OTHER HEATING APPLIANCES OR FANS AND CHIMNEYS EXHAUST OR UTILIZE AIR. THESE PRECAUTIONS WILL REDUCE THE POSSIBILITY OF APPLIANCE SMOKING OR AIR FLOW REVERSAL. THE OUTSIDE AIR INLET MUST REMAIN CLEAR OF LEAVES, DEBRIS ICE AND/OR SNOW. IT MUST BE UNRESTRICTED WHILE APPLIANCE IS IN USE TO PREVENT ROOM AIR STARVATION WHICH CAN CAUSE SMOKE SPILLAGE AND AN INABILITY TO MAINTAIN A FIRE. SMOKE SPILLAGE CAN ALSO SET OFF SMOKE ALARMS.
NEGATIVE PRESSURE WITHIN YOUR HOME MAY INADVERTENTLY AFFECT YOUR APPLIANCE.
TO PREVENT CONTACT WITH SAGGING OR LOOSE INSULATION, THE APPLIANCE MUST NOT BE INSTALLED AGAINST VAPOUR BARRIERS OR EXPOSED INSULATION. LOCALIZED OVERHEATING COULD OCCUR AND A FIRE COULD RESULT.
DO NOT USE MAKESHIFT COMPROMISES DURING INSTALLATION. DO NOT BLOCK OR RESTRICT AIR, GRILLE OR LOUVRE OPENINGS. DO NOT ADD A HOOD.
KEEP HAND TOOLS IN GOOD CONDITION, SHARPEN CUTTING EDGES AND MAKE SURE TOOL HANDLES ARE SECURE.
ALWAYS MAINTAIN THE MINIMUM AIR SPACE REQUIRED TO THE ENCLOSURE TO PREVENT FIRES.

68.3A

3.1 LOCATION AND CLEARANCES

 WARNING
DO NOT INSTALL INTO ANY AREA HAVING A HEIGHT LESS THAN 7 FEET (CEILING OF ENCLOSURE TO APPLIANCE BOTTOM, EXCLUDING HEARTH HEIGHT).

Do not build shelves or cupboards into the area above the appliance.

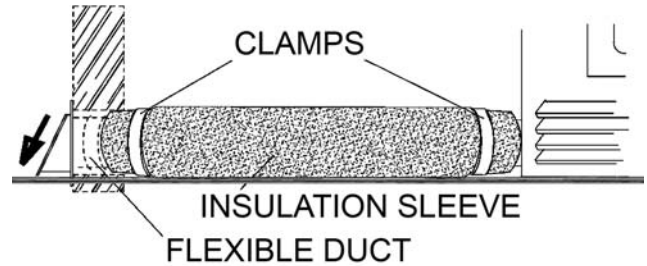
While the appliance can be installed directly on the floor, a non-combustible hearth extension is required in front of the appliance, that must not be built higher than the bottom of the appliance to avoid air flow blockage. It may therefore be advisable to build the appliance on a raised platform. The minimum distance between the edge of the appliance and any adjacent wall, at right angles to it, is 21". A wall projecting at 45° from the outer edge of the appliance is allowed; projections into this area are permitted. Do not install into any area having a height less than 7 feet (ceiling to appliance base, excluding hearth height). See "FRAMING" section. The location of windows, doors and the traffic flow in the room where the appliance is to be located should be considered. If possible, you should choose a location where the chimney will pass through the house without cutting a floor or roof joist.

For minimum clearance to combustibles, see "FRAMING" section.

3.2 OUTSIDE COMBUSTION AIR

Model NZ-26 has the option of taking outside air directly into the appliance through the opening on the left hand side or taking inside air through the lower front louvres or a combination of both.

If the optional fresh air kit (available through your authorized dealer) is installed, it must not draw air from the attic or garage. It may only come from outside the house. The maximum length of the 4" air duct is 20 feet; thereafter enlarge the duct to a 6" diameter.



Decide on the most convenient location for the fresh air inlet duct and hood which may be installed above or below floor level.

Make a 5" hole in an outside wall of the house. From outside, place the fresh air hood into the hole, open side down.

At each end, carefully pull back the insulation sleeve exposing the flexible duct. Place the insulated flexible duct over the fresh air hood and over the appliance outside air connector. Carefully push the insulation sleeve back over the duct. Using the clamps, fasten the insulated duct into place on both sides.

For outside air only, re-install the inside air cover plate to cover the control box inside air opening. See "COMBUSTION AIR CONTROL" section.

3.3 HEARTH EXTENSION

! WARNING

HEARTH EXTENSIONS ARE TO BE INSTALLED ONLY AS DESCRIBED TO PREVENT HIGH TEMPERATURES FROM OCCURRING ON CONCEALED COMBUSTIBLE MATERIALS. HEARTH EMBER STRIPS PREVENT BURNING OR HOT PARTICLES FROM INADVERTENTLY FALLING DIRECTLY ON COMBUSTIBLE SURFACES IN THE EVENT THE BUILDING SHOULD SETTLE AND DISTURB THE ORIGINAL CONSTRUCTION.

An acceptable 16" x 50" non-combustible (i.e.: brick, stone or ceramic tile) hearth extension must be installed. Ensure that the gap between the appliance and a factory-built hearth extension is sealed with sand/cement grout or covered with a metal strip (or both) to prevent sparks and embers from falling into this area. A raised hearth together with the appliance built on a raised platform is recommended for easier wood loading and fire viewing.

4.0 INSTALLATION

! WARNING

NEVER INSTALL A SINGLE WALL SLIP SECTION OR SMOKE PIPE IN A CHASE STRUCTURE. THE HIGHER TEMPERATURE OF THIS SINGLE WALL PIPE MAY RADIATE SUFFICIENT HEAT TO COMBUSTIBLE CHASE MATERIALS TO CAUSE A FIRE.

DO NOT CONNECT THIS APPLIANCE TO A CHIMNEY SYSTEM SERVING ANOTHER APPLIANCE.

TO AVOID DANGER OF FIRE, ALL INSTRUCTIONS MUST BE STRICTLY FOLLOWED, INCLUDING THE PROVISION OF AIR SPACE CLEARANCE BETWEEN CHIMNEY SYSTEM AND ENCLOSURE. TO PROTECT AGAINST THE EFFECTS OF CORROSION ON THOSE PARTS EXPOSED TO THE WEATHER, WE RECOMMEND THAT THE CHASE TOP BE PAINTED WITH A RUST-RESISTANT PAINT.

DO NOT FILL ANY FRAMED SPACE AROUND THE CHIMNEY WITH INSULATION OR ANY OTHER MATERIAL. INSULATION PLACED IN THIS AREA COULD CAUSE ADJACENT COMBUSTIBLES TO OVERHEAT.

MAINTAIN A MINIMUM 2" AIR CLEARANCE TO ALL PARTS OF THE CHIMNEY SYSTEM AT ALL TIMES. FAILURE TO MAINTAIN THIS 2" AIR CLEARANCE WILL CAUSE A STRUCTURE FIRE. NEVER FILL THIS SPACE WITH ANY TYPE OF MATERIAL.

DO NOT CUT RAFTERS OR CEILING JOISTS WITHOUT FIRST CONSULTING A BUILDING OFFICIAL TO ENSURE STRUCTURAL INTEGRITY IS NOT COMPROMISED.

FIRESTOP SPACERS MUST BE USED WHENEVER THE CHIMNEY PENETRATES A CEILING/FLOOR AREA.

THE TOTAL HORIZONTAL VENT LENGTH SHOULD NOT EXCEED 40% OF THE CHIMNEY HEIGHT ABOVE THE STOVE. ALL HORIZONTAL SMOKE PIPE MUST SLOPE SLIGHTLY UPWARDS A MINIMUM OF 1/4" PER FOOT AND ALL CONNECTIONS MUST BE TIGHT AND SECURED BY THREE SHEET METAL SCREWS EQUALLY SPACED. AN UNINSULATED SMOKE PIPE SHALL NOT PASS THROUGH AN ATTIC, ROOF SPACE, CLOSET OR SIMILAR CONCEALED SPACE, OR THROUGH A FLOOR, CEILING, WALL OR PARTITION, OR ANY COMBUSTIBLE CONSTRUCTIONS.

DO NOT USE ANY MAKESHIFT MATERIALS DURING INSTALLATION.

4.1 CHIMNEY

! WARNING

ALL VENTING CONNECTIONS MUST BE IN COMPLIANCE WITH THE CHIMNEY MANUFACTURERS INSTALLATION INSTRUCTIONS.

This appliance was tested to CAN/ULC S610 and UL 127 Factory Built Fireplace Standards. This appliance has met the test criteria for Zero Clearance Installation to Combustible Surfaces and Certified to burn firewood only.

Any 6" diameter chimney listed to these standards may be installed. In accordance with these standards, the appliance may also be connected to any chimney listed to CAN/ULC-S604 and CAN/ULC-S629 for Canada or UL-103HT for the United states.

Installation of all types of factory-built chimney systems is to be in accordance with the chimney manufacturers installation instructions. An appropriate chimney manufacturers anchor base plate and anchor base plate gasket is required in order to initiate their system. Use the high temperature gasket, supplied, to seal between the anchor plate and the appliance top. Air cooled chimney systems are not recommended in colder climates.

Complete installation instructions for Selkirk Ultra Temp Chimney for Canada and Ultra Temp Platinum Chimney for USA, refer to: www.selkirkinc.com/products/chimney.aspx



ANCHOR PLATE FOR A FACTORY BUILT CHIMNEY

A chimney venting the appliance shall not vent any other appliance. The minimum overall chimney height from the top of the appliance is 11 feet. The maximum overall chimney height from the top of the appliance is 34 feet.

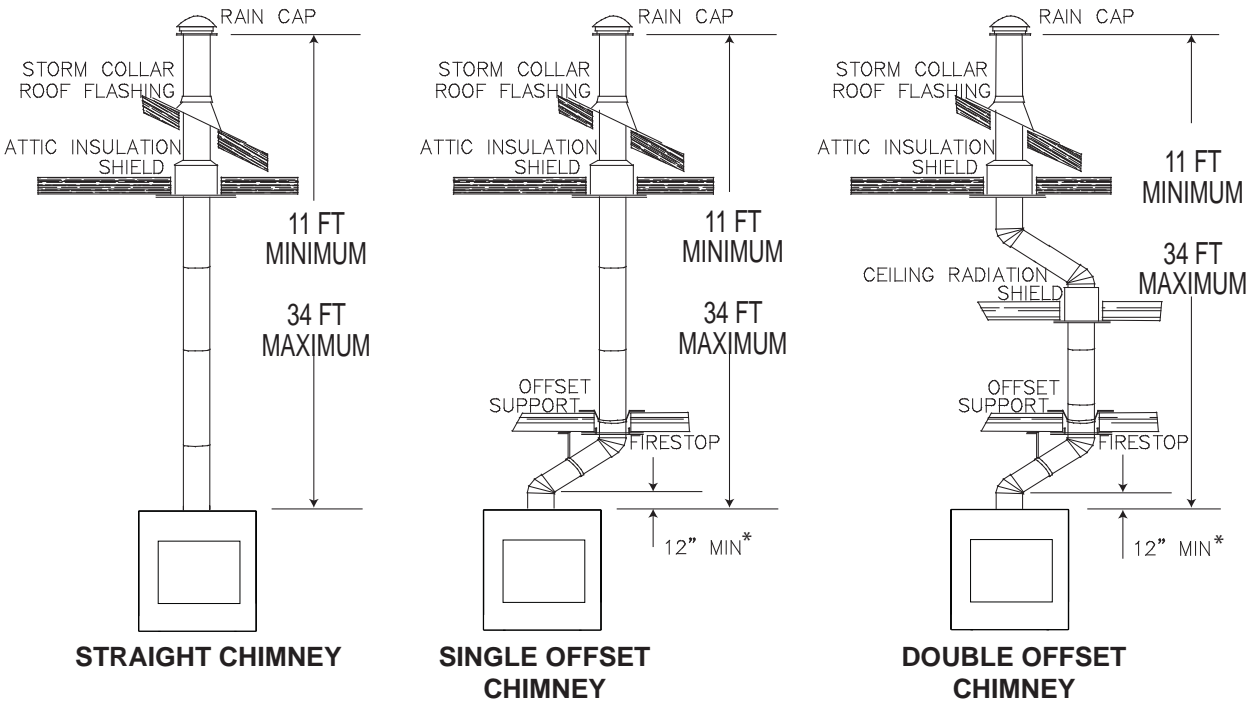
Factory-built chimney systems for use in dwellings constructed for three or more families must be enclosed above the room in which the appliance is located. This enclosure must have a fire resistance rating equal to or greater than that of the floor or roof assembly through which they pass.

The chimney should not be built with an offset angle in excess of 45° in Canada and 30° in USA. Ensure that minimum clearances are maintained.

Portions of the chimney that extend through accessible spaces must always be encased to avoid personal contact with the chimney and thereby avoid damage to the chimney.

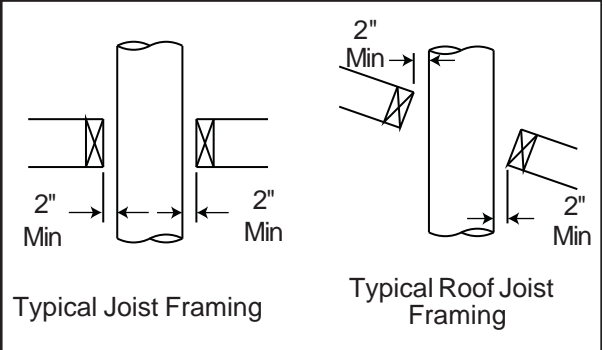
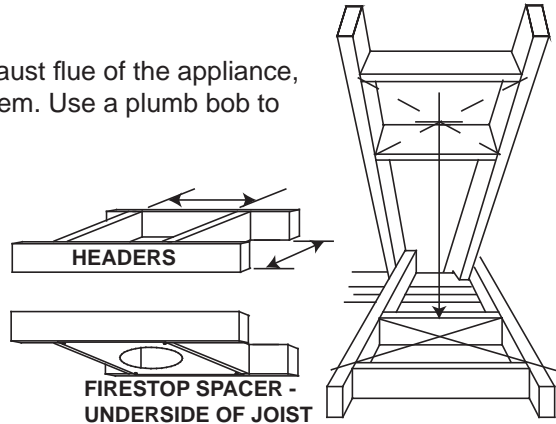
The chimney must be supported at a maximum of 20 foot intervals (approx. 200 lbs/20 FT).

63.4



* The first flue offset closest to the top of the appliance must be a minimum distance of 12" from the top of the appliance.

1. Move the appliance into position. Try to center the exhaust flue of the appliance, midpoint between two joists to prevent having to cut them. Use a plumb bob to line up the centre.
2. Cut and frame an opening in the ceiling to provide a minimum clearance of 2" between the outside of the chimney and any combustible material. **DO NOT FILL THIS SPACE WITH ANY TYPE OF MATERIAL!** Nail headers between the joists for extra support. Firestop spacers must be placed on each framed opening in any floor or ceiling that the chimney passes through.
3. Hold a plumb bob from the underside of the roof to determine where the opening in the roof should be. Cut and frame the roof opening maintaining proper 2" clearances.



NOTE: 30° or 45° offsets may be installed back to back.

4.2 ADDING CHIMNEY SECTIONS

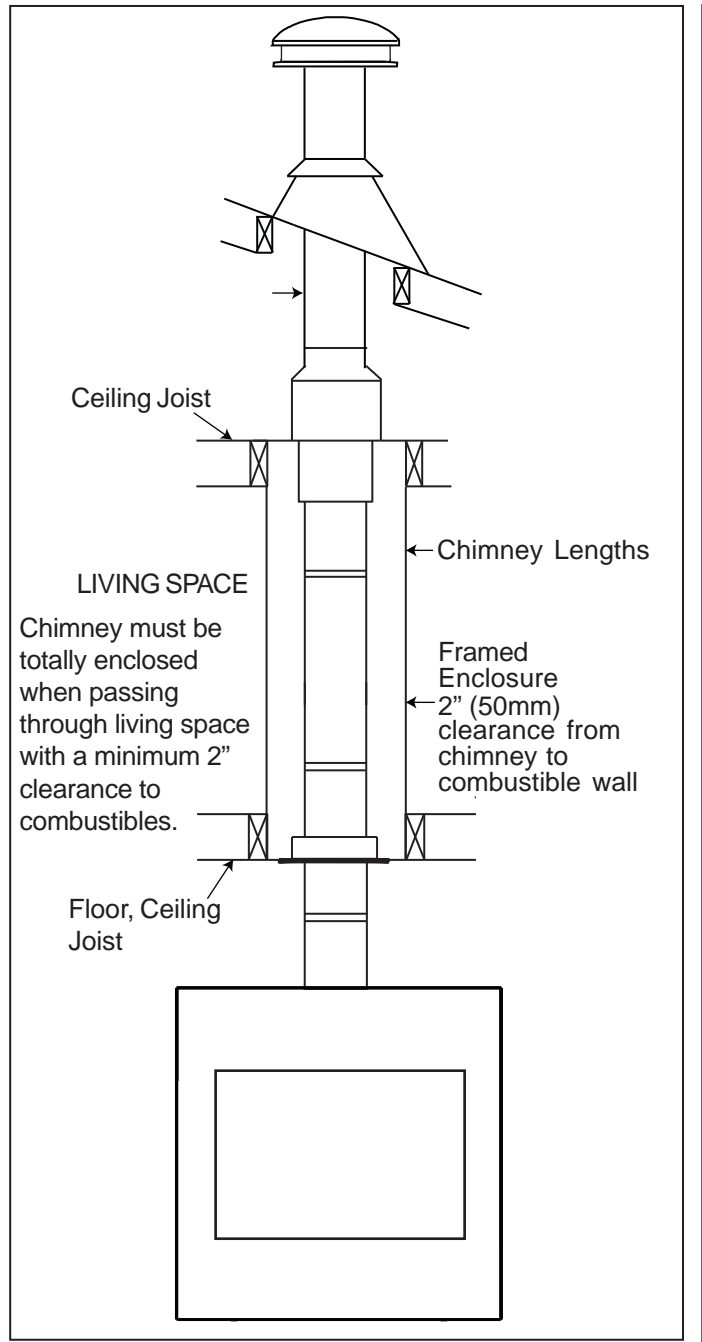
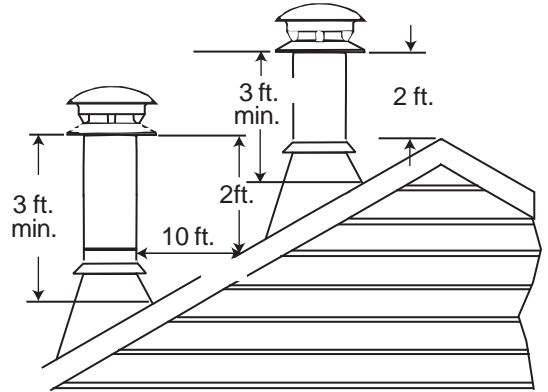
Add chimney sections, securely, to the required height.

If the chimney system is enclosed within the attic area, a rafter radiation shield is required.

The chimney must extend at least 3 feet above its point of contact with the roof and at least 2 feet higher than any wall, roof or building within 10 feet.

If the chimney extends more than 5 feet above the roof, it must be secured using a roof brace or guide wires.

A raincap must be installed to avoid internal damage and corrosion.



4.3 OFFSET CHIMNEY INSTALLATION

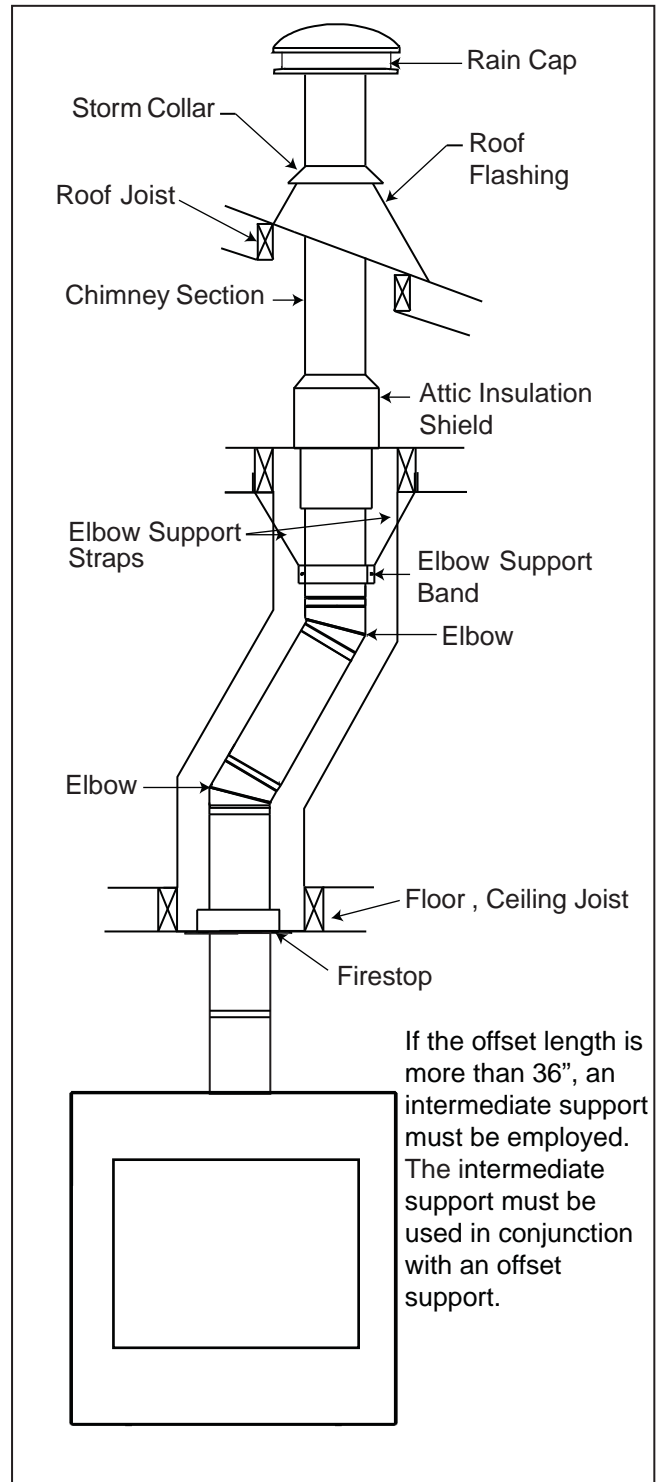
! WARNING

CHIMNEY SECTIONS INSTALLED BETWEEN AN OFFSET AND RETURN REQUIRE STRUCTURAL SUPPORT TO REDUCE OFF-CENTER LOADING AND TO PREVENT CHIMNEY SECTIONS FROM SEPARATING AT THE CHIMNEY JOISTS.

THE CHIMNEY SHOULD NOT BE BUILT WITH AN OFFSET ANGLE IN EXCESS OF 45° IN CANADA AND 30° IN USA. DO NOT COMBINE OFFSET CHIMNEY COMPONENTS TO EXCEED THESE ANGLES.

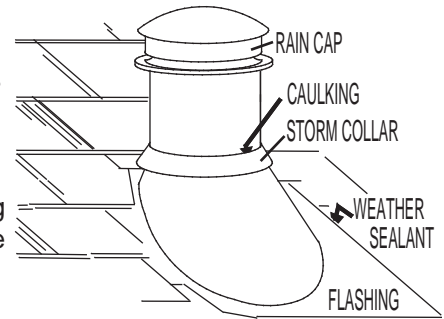
The first flue offset closest to the top of the unit must be a minimum distance of 12" from the top of the appliance.

Attach an elbow to the chimney section, angled toward the offset. Secure with 3 sheet metal screws. To achieve the minimum offset, attach and secure a second elbow. To achieve longer offsets, you may install any available length of chimney pipe between the elbows. Supports must be used on the first vertical chimney section after a return elbow.



4.4 INSTALLING FLASHING AND STORM COLLAR

Remove the nails from the shingles above and to the sides of the chimney. Place the flashing over the chimney pipe and slide underneath the sides and upper edge of the shingles. Ensure that the chimney pipe is properly centered within the flashing, giving a 3/4" margin all around. Fasten to the roof on the top and sides. **DO NOT NAIL** through the lower portion of the flashing. Make weather-tight by sealing with caulking. Where possible, cover the sides and top edges of the flashing with roofing material. Apply waterproof caulking, provided with the flashing, around the chimney, 1" above the top of the flashing and push the storm collar down into the caulking. Insert a rain cap onto the top of the last chimney section.



4.5 TYPICAL EXISTING MASONRY

The appliance may be connected to either a lined or unlined masonry chimney.

IF THE CHIMNEY IS LINED:

The flues must be made of vitrified clay and be in sizes of 8" square or 8" round (inside diameters) or 8"x12" with a minimum height of 15 feet above the appliance.

Eight inch round flues are recommended.

Installation must conform to both national and local code requirements.

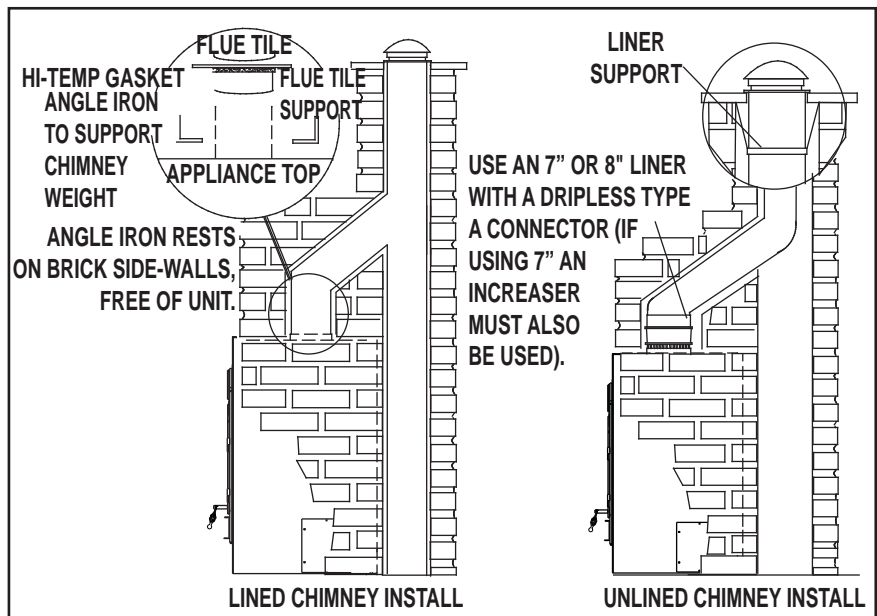
IF THE CHIMNEY IS UNLINED:

A stainless steel liner listed to either Standard ULC-S640M in Canada or UL-1777 in the USA, must be used: Liners for New Masonry Chimneys, may be used to connect the appliance to the chimney. The liner must be continuous from the appliance to the chimney cap and be installed only per manufacturers instructions.

In both cases, the chimney structure must be supported by angle iron anchored into the masonry walls. The allowable masonry used in chimney construction is 3-1/2" brick, solidly mortared and must fully encase the flue. Ensure there are no leaks.

In no case is the masonry enclosure to be supported by the appliance. Allow a 1" (one inch) air cavity for expansion. Use the flue tile support accessory, see your local authorized dealer / distributor.

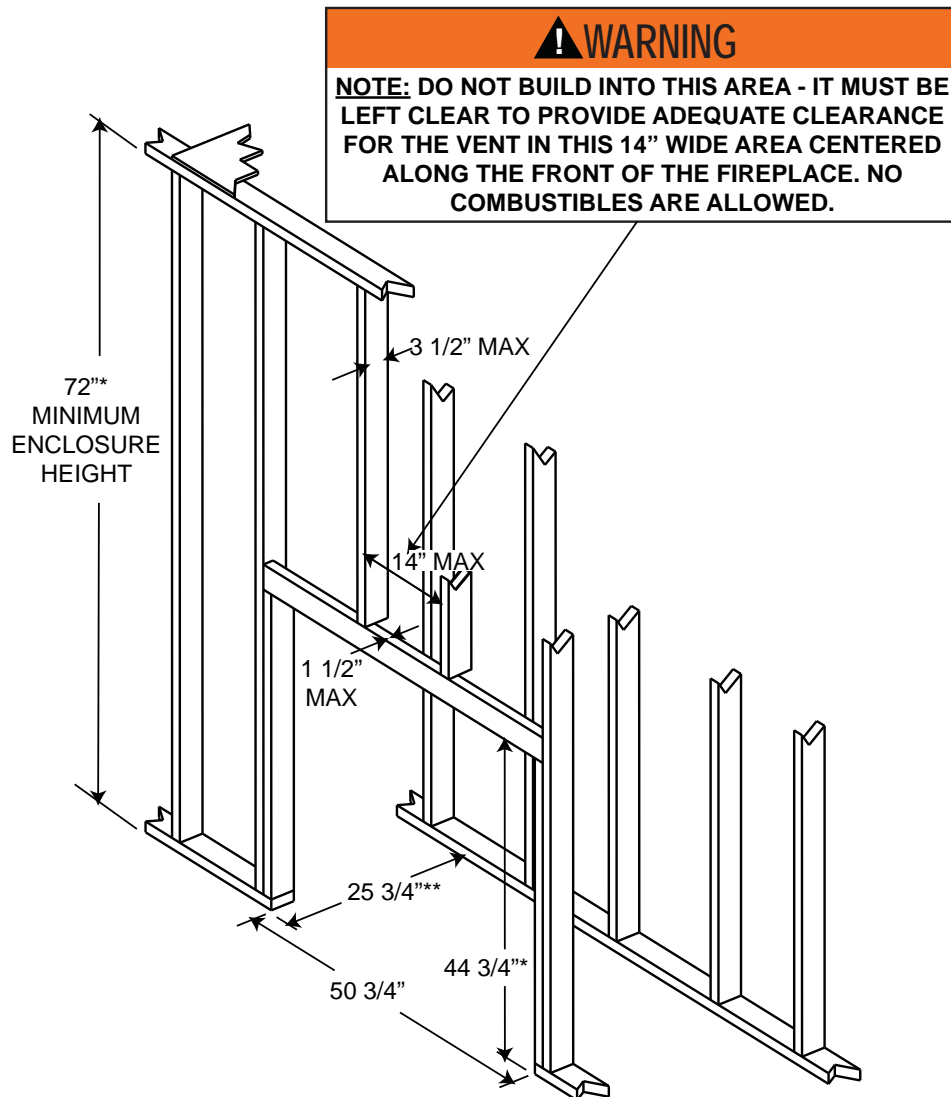
NOTE: The flue tile support is to be suspended on appropriate lintels.



FOR A MASONRY FIREPLACE USE A FLUE TILE SUPPORT. FOR A PRE-FABRICATED CHIMNEY USE AN ANCHOR PLATE.

5.0 FRAMING

! WARNING
<p>IN ORDER TO AVOID THE POSSIBILITY OF EXPOSED INSULATION OR VAPOUR BARRIER COMING IN CONTACT WITH THE APPLIANCE BODY, IT IS RECOMMENDED THAT THE WALLS OF THE APPLIANCE ENCLOSURE BE "FINISHED" (I.E.: DRYWALL / SHEETROCK), AS YOU WOULD FINISH ANY OTHER OUTSIDE WALL OF A HOME. THIS WILL ENSURE THAT CLEARANCE TO COMBUSTIBLES IS MAINTAINED WITHIN THE CAVITY.</p>
<p>A MINIMUM OF 6 INCHES TO COMBUSTIBLE MATERIALS IS REQUIRED TO BOTH SIDES OF THE APPLIANCE, SEE "MINIMUM CLEARANCE TO COMBUSTIBLES" SECTION.</p>
<p>DO NOT BUILD SHELVES OR CUPBOARDS INTO THE AREA ABOVE THE APPLIANCE.</p>
<p>OBJECTS PLACED IN FRONT OF THE APPLIANCE MUST BE KEPT A MINIMUM OF 48" AWAY FROM THE FRONT FACE OF THE APPLIANCE.</p>



* Allow for finished floor and hearth thickness when setting these dimensions.

** When constructing the enclosure allow for finishing material thickness and to maintain clearances.

The appliance should be framed using 2x4 lumber. For the header and cripple studs above the appliance it is recommended to use steel. The appliance must be secured to the floor in all cases. Use the pallet packing brackets to secure to the floor. If ducting is to be installed, the minimum enclosure ceiling height is 84". Without ducting, the ceiling height may be brought down to a minimum of 72". However a appliance enclosure with a height less than 84" must be provided with sufficient air circulation to avoid a fire hazard. Install ventilation grilles (minimum openings of 40 sq. inches) at both floor and ceiling levels of the enclosure.

Do not place insulation into the enclosure around the appliance or the chimney. Combustible framing materials must not be closer than 6" from the side of the appliance and 5" from the top of the appliance.

5.1 MINIMUM CLEARANCE TO COMBUSTIBLES

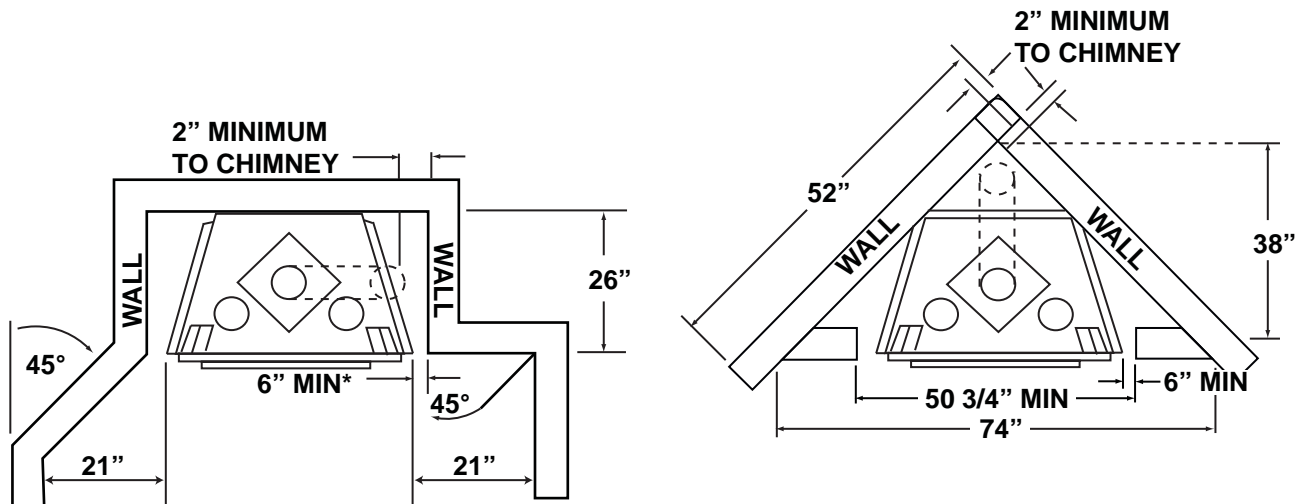
! WARNING

IN ORDER TO AVOID THE POSSIBILITY OF EXPOSED INSULATION OR VAPOUR BARRIER COMING IN CONTACT WITH THE APPLIANCE BODY, IT IS RECOMMENDED THAT THE WALLS OF THE ENCLOSURE BE "FINISHED" (I.E.: DRYWALL/SHEETROCK), AS YOU WOULD FINISH ANY OTHER OUTSIDE WALL OF A HOME. THIS WILL ENSURE THAT CLEARANCE TO COMBUSTIBLES IS MAINTAINED WITHIN THE CAVITY.

MAINTAIN THESE MINIMUM CLEARANCES TO COMBUSTIBLES:

Appliance framing:	
Top Stand-Off	0"
Rear Stand-Off	0"
Side	6"
Appliance finishing:	
Sides	6 3/4"
Top	6 3/4"
Factory Built Chimney	2"
Hot Air Gravity Ductwork Insulation	1"
*Base of appliance to ceiling	72"
*Base of appliance to enclosure top	72"
Enclosure must have ventilation	Between 72" and 84"

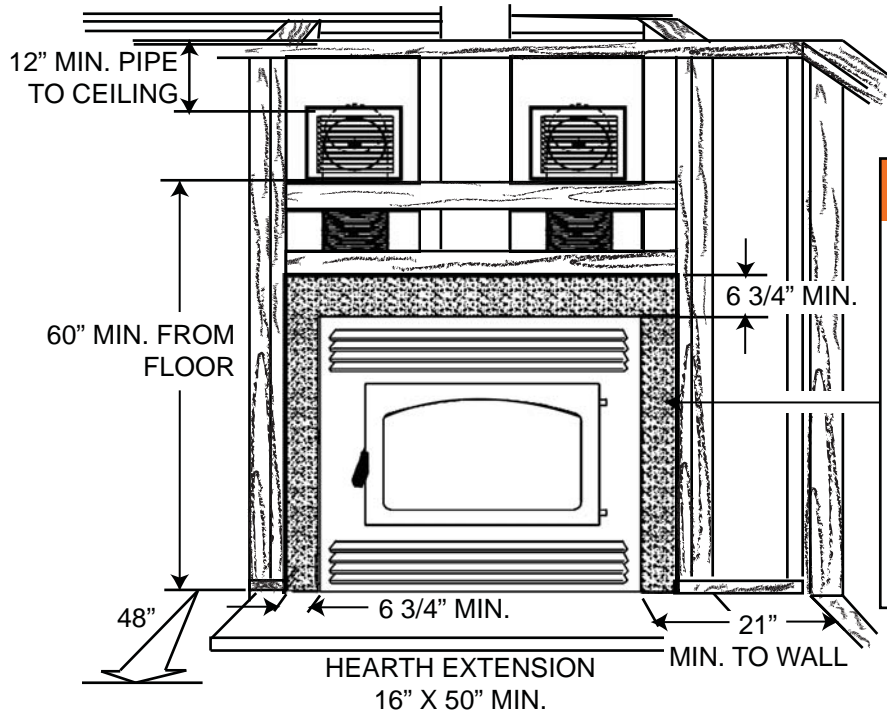
*84" if installing optional hot air gravity vent system, NZ220 on the same floor as the appliance.



*** 6" MIN REQUIRED FOR FRAMING.
6 3/4" MIN REQUIRED FOR FINISHING MATERIAL.**

5.2 MINIMUM ENCLOSURE CLEARANCES

NOTE: Ventilation openings are required in enclosures up to 84" high. They are recommended for all enclosures.



! WARNING
 FINISHING MUST BE DONE USING A NON-COMBUSTIBLE MATERIAL PLACED FLUSH WITH THE FRONT FACE OF THE UNIT AND EXTENDING FROM THE TOP OF THE UNIT SUCH AS CEMENT BOARD, CERAMIC TILE, MARBLE, ETC. DO NOT USE WOOD OR DRYWALL. ANY FIRERATED DRYWALL IS NOT ACCEPTABLE.

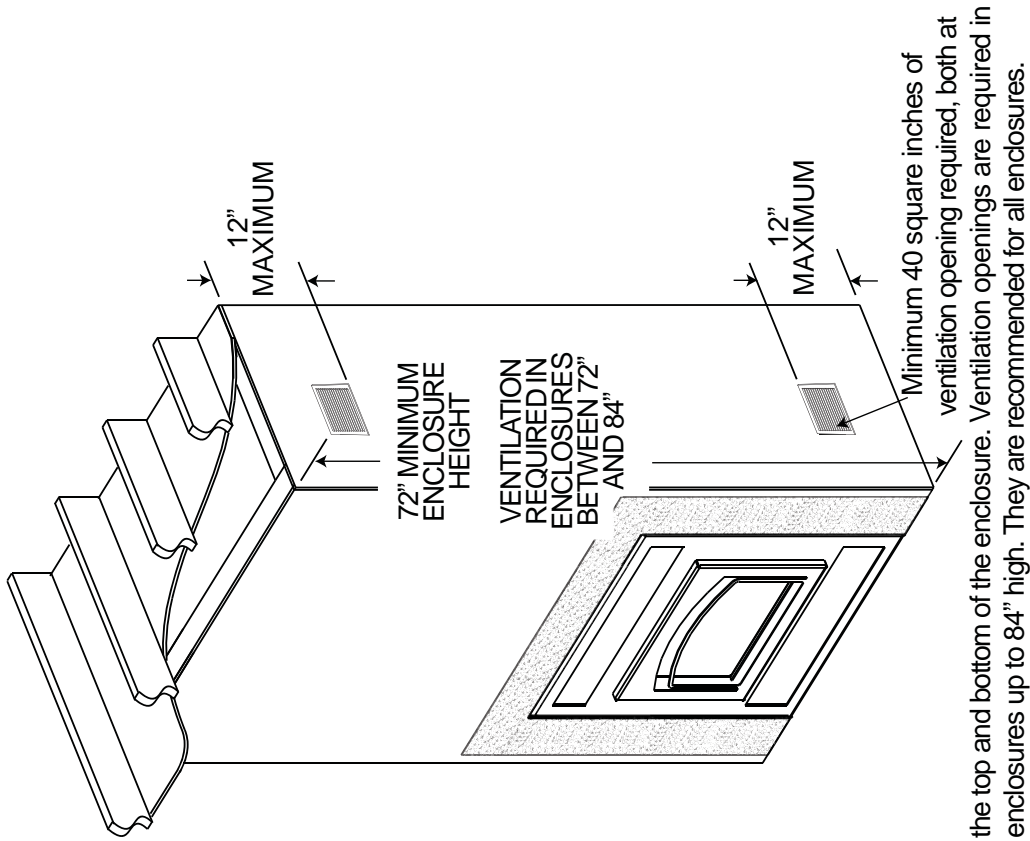
CLEARANCES TO FINISHING MATERIALS:

6 3/4" minimum of non-combustible material to the top of the appliance and a minimum 6 3/4" to either side.

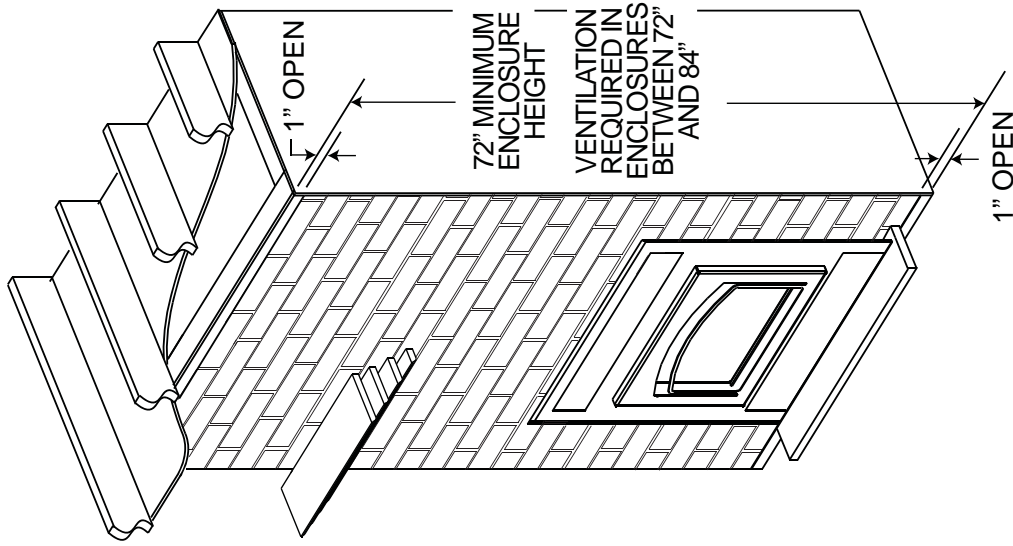
Objects placed in front of the appliance must be kept a minimum of 48" away from the front face of the appliance.

Non-combustible material (brick, stone, cement board or ceramic tile) may protrude over the black painted surface of the appliance front.

ENCLOSURE FINISHING



ENCLOSURE ALTERNATE FINISHING



NOTE: As an alternate to grates a 1" x 40 inches wide gap can be left in the bottom and top of any finishing material to circulate the air from the floor, around the appliance through the enclosure and out the top. If utilizing this method, ensure the appliance is properly supported and support method does not restrict the flow of air.

5.3 MINIMUM MANTEL CLEARANCES

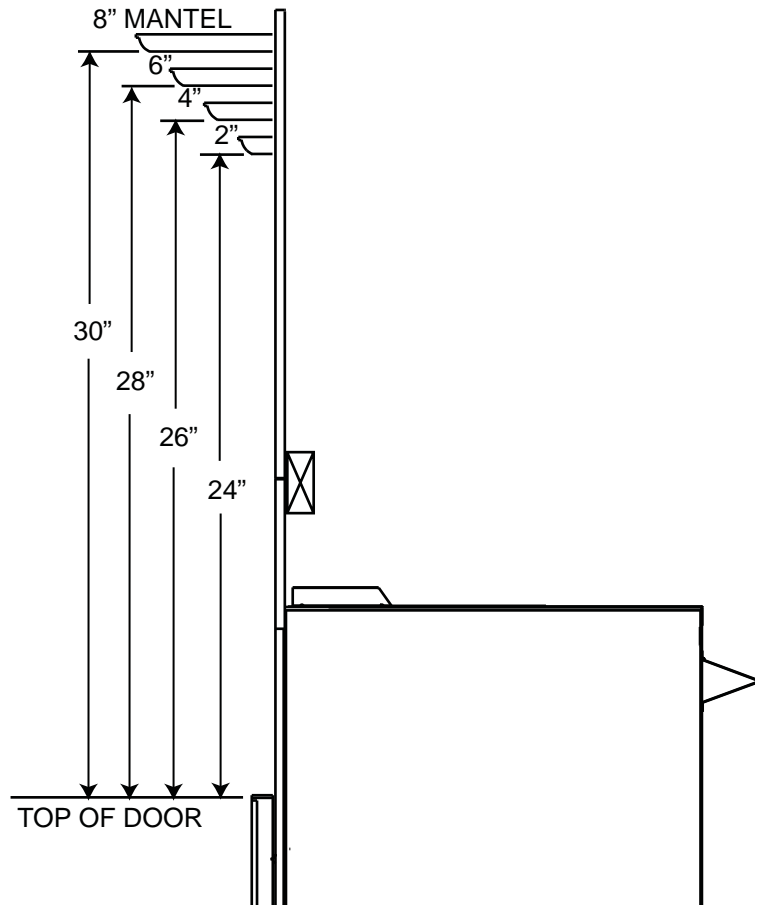
! WARNING

RISK OF FIRE, MAINTAIN ALL SPECIFIED AIR SPACE CLEARANCES TO COMBUSTIBLES. FAILURE TO COMPLY WITH THESE INSTRUCTIONS MAY CAUSE A FIRE OR CAUSE THE APPLIANCE TO OVERHEAT. ENSURE ALL CLEARANCES (I.E. BACK, SIDE, TOP, VENT, MANTEL, FRONT, ETC.) ARE CLEARLY MAINTAINED.

WHEN USING PAINT OR LACQUER TO FINISH THE MANTEL, THE PAINT OR LACQUER MUST BE HEAT RESISTANT TO PREVENT DISCOLOURATION.

73.1

Mantel clearance can vary according to the mantel depth.



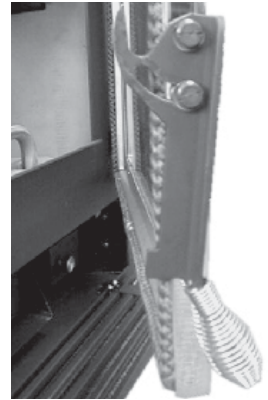
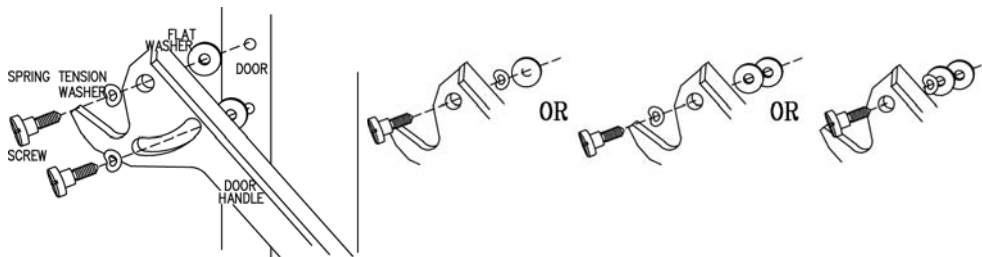
6.0 FINISHING

! WARNING**RISK OF FIRE!****NEVER OBSTRUCT THE FRONT OPENING OF THE APPLIANCE.****DO NOT STRIKE, SLAM OR SCRATCH GLASS. DO NOT OPERATE APPLIANCE WITH GLASS REMOVED, CRACKED, BROKEN OR SCRATCHED.**

72.4

6.1 DOOR HANDLE INSTALLATION

Attach the handle as shown so that when the door is closed, the handle will be centred in the slot located on the appliance front. To achieve this you may have to experiment (on the upper and lower screws) with one of the variations shown. Tighten securely.



6.2 TOP FIREBOX AND BAFFLE INSTALLATION

! WARNING**OPERATION OF THE APPLIANCE WITHOUT THE TOP FIREBRICKS AND THE BAFFLES CAN RESULT IN EXCESSIVE TEMPERATURES THAT COULD DAMAGE THE APPLIANCE, CHIMNEY AND THE SURROUNDING ENCLOSURE.****ENSURE THE BAFFLES ARE INSTALLED TO SIT FLUSH TO THE BRICKS.**

The appliance is shipped with the rear bricks in place. The top firebricks, fibre baffles, support and gasket rope are not installed.

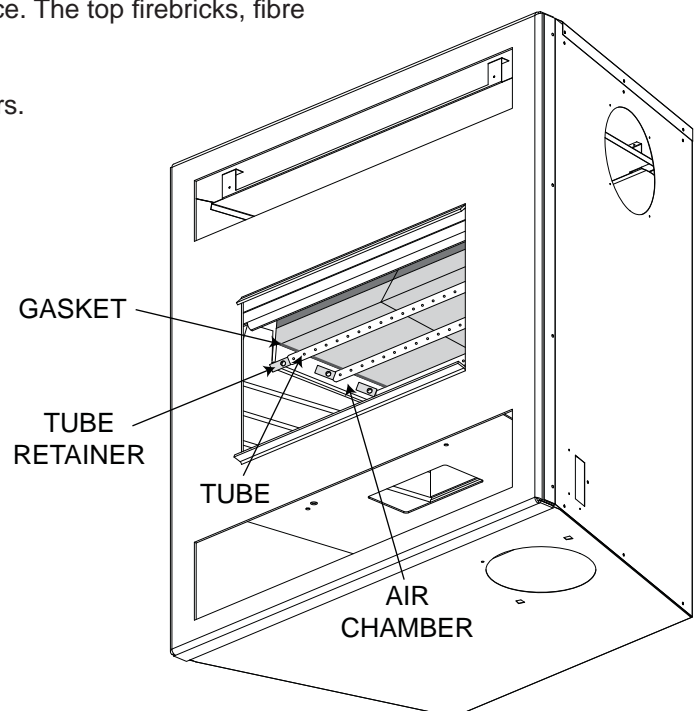
6.2.1 Unscrew and remove the front tube retainers.

NOTE: The first tube retainer also holds the side brick in place.

Slide the tube either to the left or right and remove.

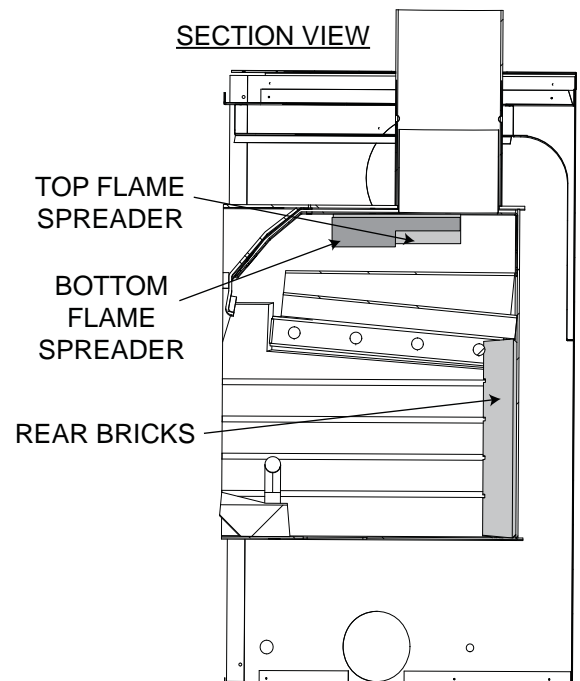
Remove the two middle tubes in the same fashion, leaving the rear tube in place.

6.2.2 Place gasket rope along the upper ledge of the air chamber and on the top of the rear bricks.



- 6.2.3** The top and bottom flame spreaders come taped together. This tape will burn away in the initial firing of the appliance.

On subsequent brick removals, the bottom flame spreader must be taped to the top spreader to ease top brick and baffle removal and to avoid damaging the fibre baffles.



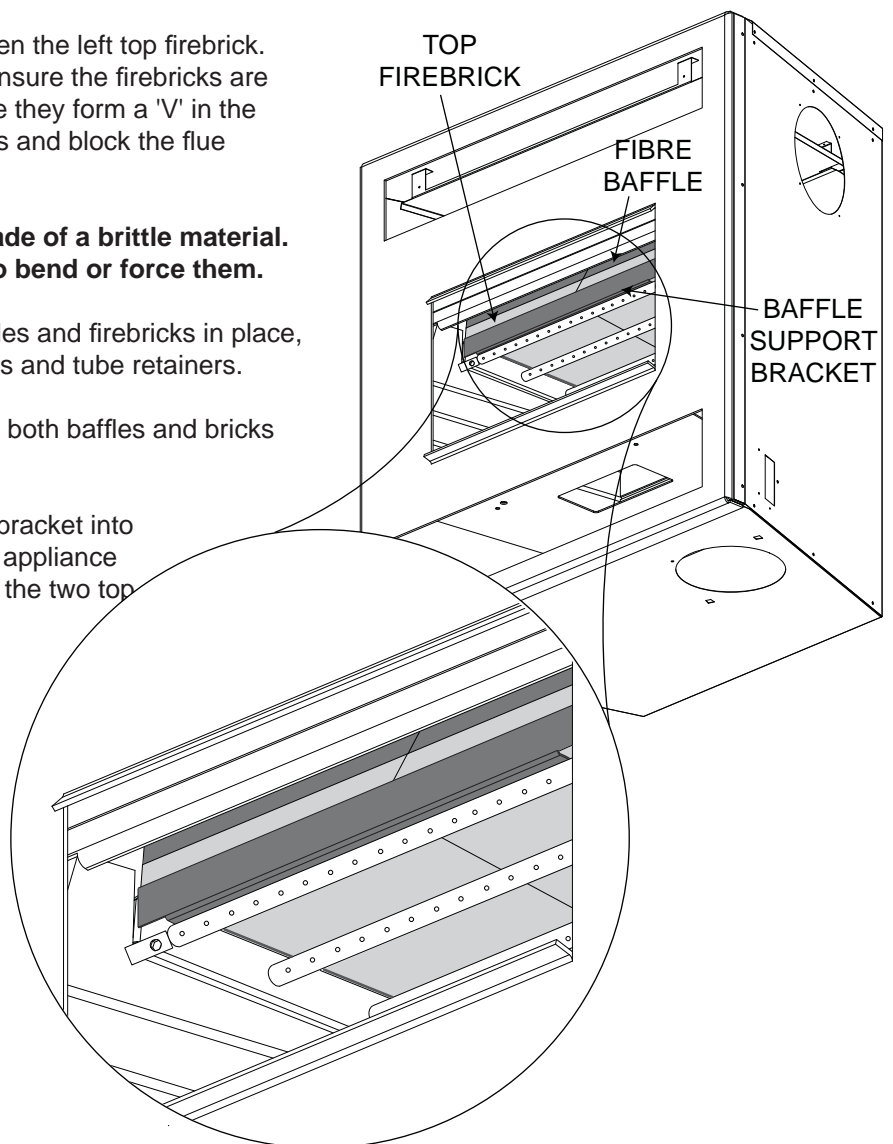
- 6.2.4a** Insert the left fibrebaffle, then the left top firebrick. Repeat for the right side. Ensure the firebricks are installed correctly otherwise they form a 'V' in the center, overhang the baffles and block the flue gases.

NOTE: The baffles are made of a brittle material. Care must be taken not to bend or force them.

- 6.2.3b** While holding the fibre baffles and firebricks in place, replace the three front tubes and tube retainers.

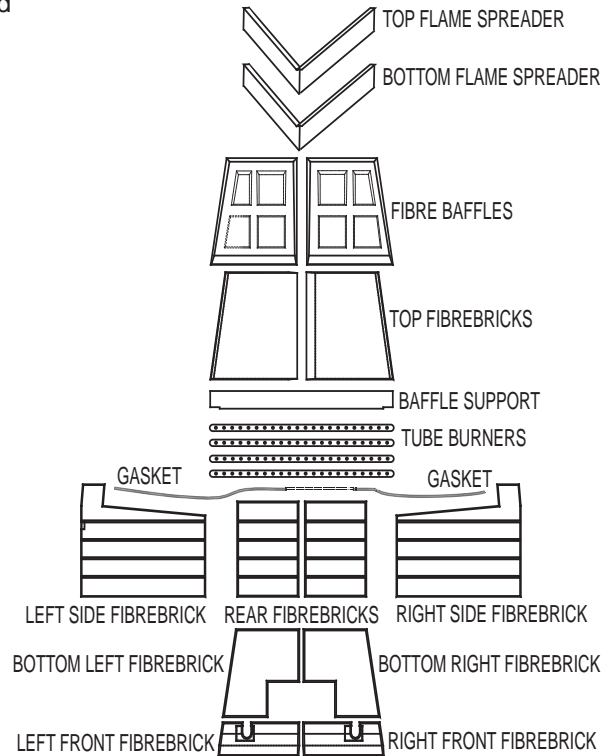
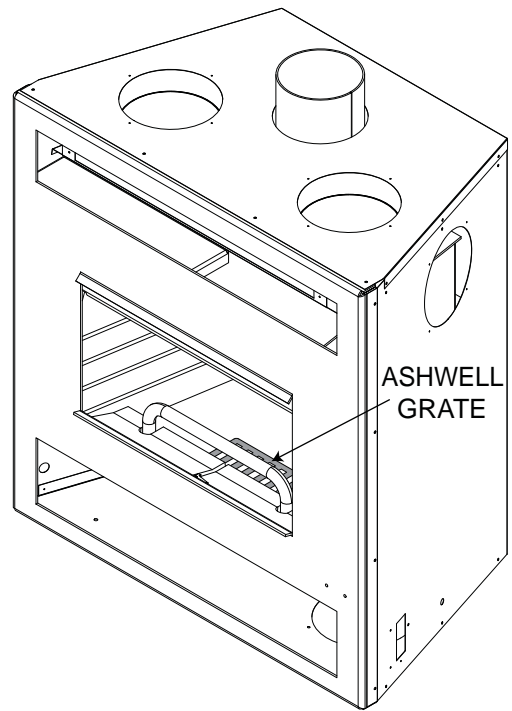
Ensure the center edges of both baffles and bricks lie snugly together.

- 6.2.4** Position the baffle support bracket into place along the front of the appliance between the front tube and the two top firebricks as illustrated.



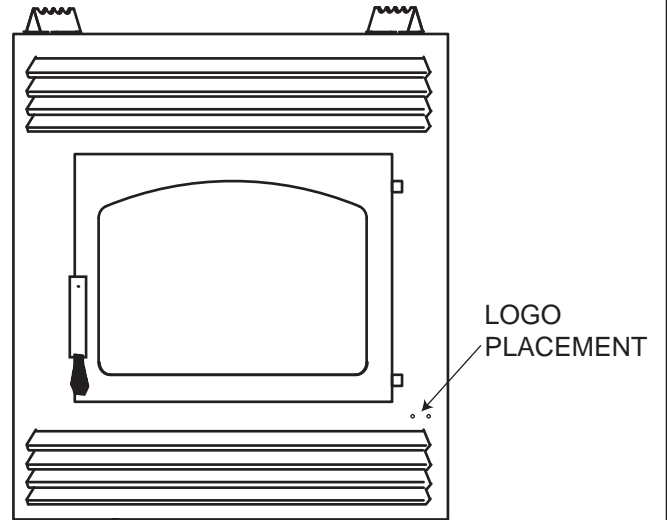
6.2.5 For Firebrick Removal:

- Remove the ashwell grate. This allows the four bottom bricks to be removed first.
- Slide out the baffle support bracket from above the front tube.
- Reaching above the top firebricks and baffles, lift and tape the bottom flame spreader to the top spreader to ease top brick and baffle removal and to avoid damaging the fibre baffle.
- Remove the three front tubes.
- Remove the top firebrick on the right, then the left firebrick.
- Remove the baffles, starting with the right side.
- Remove the gasket rope. Check the rope for deterioration and replace if necessary.
- Remove the rear bricks (pull the two bricks forward at the centre, and lift the bottom of the bricks out). Remove the side bricks (tilt the tops inward).



6.3 LOGO INSTALLATION

- 6.3.1** Remove the backing on the adhesive.
- 6.3.2** Insert the two pins on the logo through the two illustrated holes on the appliance.
- 6.3.3** Press firmly on the logo securing the adhesive.



7.0 OPTIONAL INSTALLATION

7.1 OPTIONAL BLOWER INSTALLATION

! WARNING

RISK OF FIRE AND ELECTRICAL SHOCK.

TURN OFF THE GAS AND ELECTRICAL POWER BEFORE SERVICING THIS APPLIANCE.

USE ONLY WOLF STEEL APPROVED OPTIONAL ACCESSORIES AND REPLACEMENT PARTS WITH THIS APPLIANCE. USING NON-LISTED ACCESSORIES (BLOWERS, DOORS, LOUVRES, TRIMS, GAS COMPONENTS, VENTING COMPONENTS, ETC.) COULD RESULT IN A SAFETY HAZARD AND WILL VOID THE WARRANTY AND CERTIFICATION.

ENSURE THAT THE FAN'S POWER CORD IS NOT IN CONTACT WITH ANY SURFACE OF THE APPLIANCE TO PREVENT ELECTRICAL SHOCK OR FIRE DAMAGE. DO NOT RUN THE POWER CORD BENEATH THE APPLIANCE.

THE WIRE HARNESS PROVIDED IN THE BLOWER KIT IS A UNIVERSAL HARNESS. WHEN INSTALLED, ENSURE THAT ANY EXCESS WIRE IS CONTAINED, PREVENTING IT FROM MAKING CONTACT WITH MOVING OR HOT OBJECTS.

51.5

7.1.1 Turn off any electrical power to the appliance (if applicable). Open the lower louvred control door.

7.1.2 Locate the vibration reducing pad over the two threaded studs, piercing 2 holes into the pad. The fan must be installed on the left hand side of the appliance entirely on the pad.

7.1.3 Slide the fan to the back of the appliance taking care not to damage the terminals. Position the fan onto the studs and secure using the lock washers and wing nuts provided. Pull the leads to the front and right side of the ashpan housing.

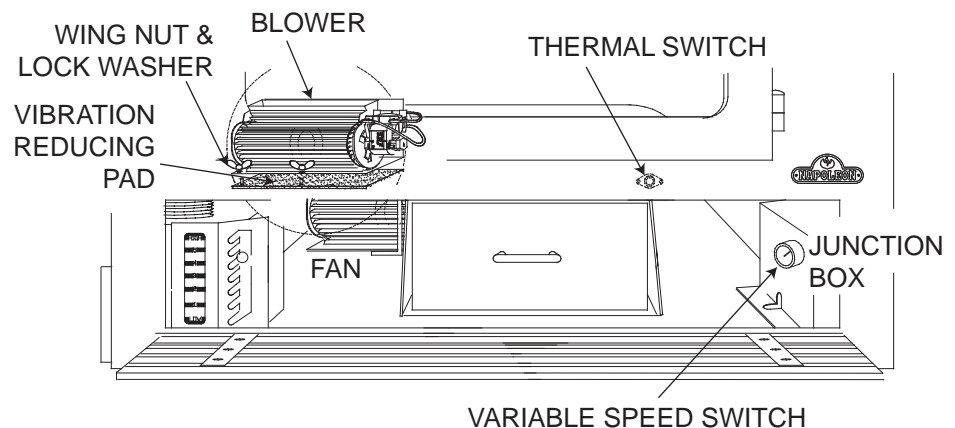
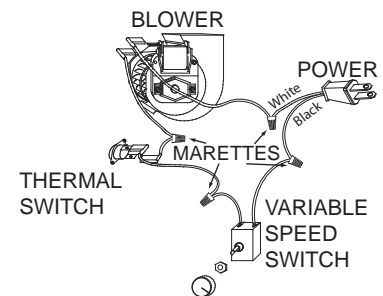
7.1.4 Remove the junction box. Use a nut connector to attach the black wires of the variable speed switch and the power.

7.1.5 Pass the two fan leads and one thermal switch lead through the junction box

bushing. The thermal switch is located inside the outer shell, just above the louvre door. Connect one fan lead to the thermal switch lead and the other fan lead to the white wire of the variable speed switch using nut connectors.

7.1.6 Thread the other thermal switch

lead through the junction box bushing and connect to the white wire of the power cord using a nut connector. Secure ground wire (green) to the threaded weld stud located on the junction box wall. Reposition the junction box. Verify that the wires will not interfere with the fan.



Because the blower is thermally activated, when turned on, it will automatically start approximately 15-45 minutes after lighting the appliance. Use of the fan increases the output of heat.

Drywall dust will penetrate into the blower bearings causing irreparable damage and must be prevented from coming into contact with the blower or its compartment. Any damage resulting from this condition is not covered by the warranty policy.

7.2 COMBUSTION AIR CONTROL

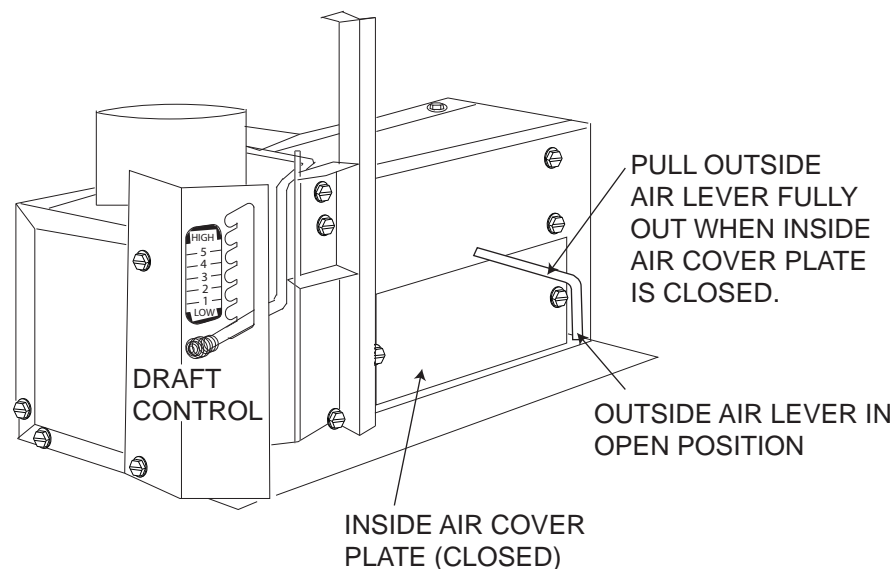
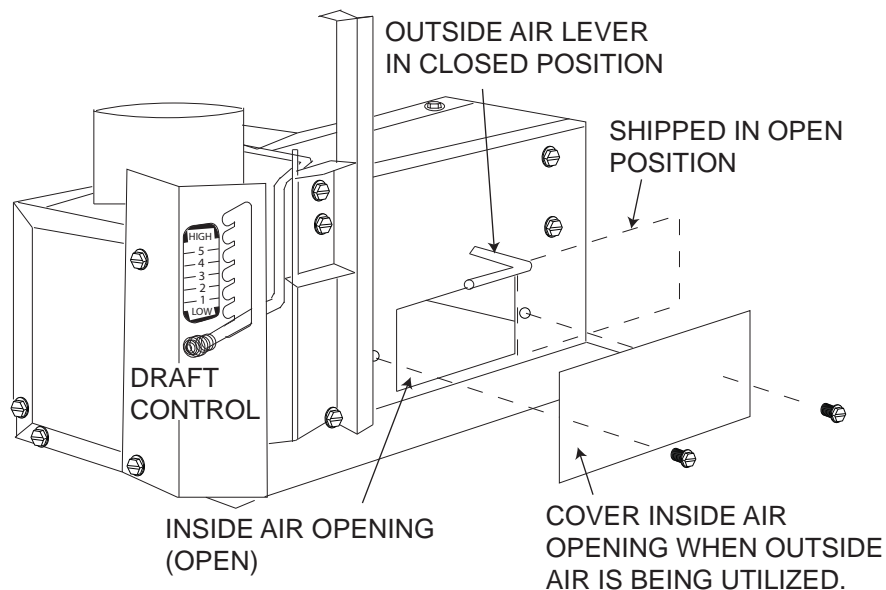
! WARNING

APPLIANCE OPERATION DOES REQUIRE AIR. DO NOT TAKE AIR FROM OTHER FUEL BURNING APPLIANCE WHICH CAN RESULT IN IMPROPER VENTING (SMOKING) OR AIR DILUTION. ALWAYS PROVIDE ADEQUATE MAKEUP AIR.

If the outside combustion air is not used, air will still be drawn directly into the appliance through the lower louvres. Outside and inside air may be combined by pulling the outside air lever out as far as possible, and turning the lever 90° to its locking position.

Should you find a frost build up on the air control box or a draft from the appliance, close the outside air lever when the appliance is not in use.

Air control box is shipped with inside air cover plate in open position.



8.0 OPERATION

! WARNING

IF YOU DO NOT FOLLOW THESE INSTRUCTIONS EXACTLY, A FIRE OR EXPLOSION MAY RESULT CAUSING PROPERTY DAMAGE, PERSONAL INJURY OR LOSS OF LIFE.

Expansion / contraction noises during heating up and cooling down cycles are normal and to be expected.

TIPS FOR BURNING:

- Create a large fire to heat up the appliance before adjusting to a slower burn.
- To create a large, quick burning fire, use small pieces of wood.
- For a lower, but extended burn, stack larger pieces of wood close together.
- For long burns, leave a 1-2" bed of ashes.
- Burn dry wood only.
- With the exception of overnight burns, create large, quick burning fires whenever possible. Smaller, slow burning fires, using large logs, cause the glass to become dirty. Larger, quick burning fires using medium sized wood to refuel frequently are much more efficient.

8.1 OPERATING SOUNDS AND SMELLS

A slight humming sound may be heard depending on the location of the blower. This sound may be minimized by turning down the blower speed.

When first installed, the appliance and the steel are cold and must become hot before the appliance will function well. During the break-in period (the first 2 or 3 fires) create only small, hot fires using kindling; this will allow the firebrick to cure. Do not be alarmed if small hairline cracks develop in the firebrick. This is a normal occurrence and does not pose a safety hazard. The paint may also smell a little for the first few fires as it cures and you may wish to open a door or window to alleviate the smell.

There are many different ways to start a fire, review the hints and warnings in this section to ensure the fire is started properly.

8.2 AIR CONTROL

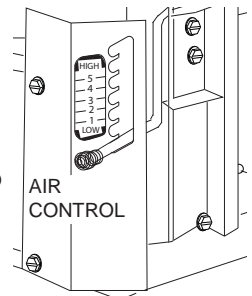
! WARNING

ALWAYS OPERATE THIS APPLIANCE WITH THE DOOR CLOSED AND LATCHED EXCEPT DURING START-UP AND RE-FUELING.

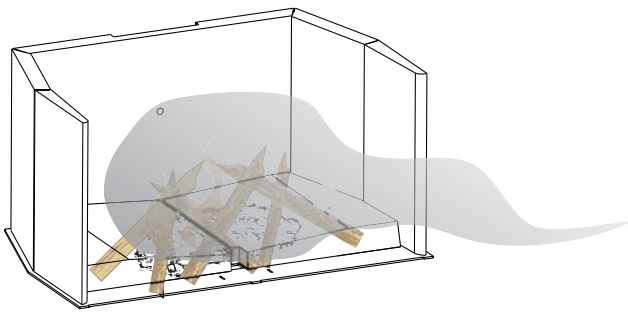
Draft is the force which moves air from the appliance up through the chimney. The amount of draft in your chimney depends on the length of the chimney, local geography, nearby obstructions and other forces.

Adjusting the air control regulates the temperature. The draft can be adjusted from a low burn rate with the handle at the bottom setting to a fast burn rate with the handle at the top setting.

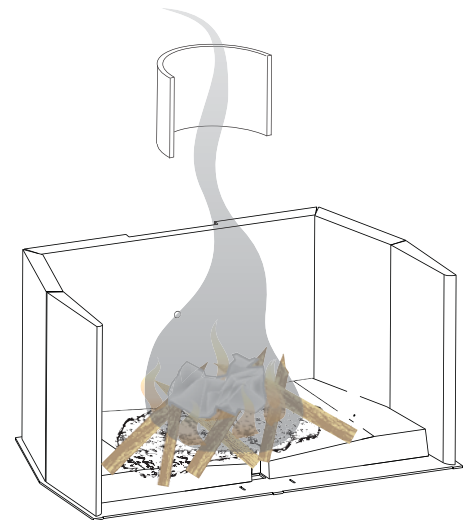
Inadequate draft may cause back-puffing into the room and may cause plugging of the chimney. Too much draft may cause an excessive temperature in the appliance, glowing red appliance parts or an uncontrollable burn which can all lead to a chimney fire or a permanent damage to the appliance.



NOTE: Do not operate your appliance for longer than 30 minutes with the air control on "HIGH" (fully open).



Roll up some newspaper, light it and place it near the appliance flue until the chimney begins to draw. When a fire is burning, open the door slowly to avoid drawing smoke into the room.



A properly installed appliance should not smoke.

If yours does, check the following:

- Has the chimney had time to get hot?
- Are the air intake hoods blocked closed?
- Is the smoke passage blocked anywhere in the appliance or chimney?
- Is the smoke flow impeded by too long a horizontal pipe or too many bends?
- Is it a weak draft perhaps caused by a leaky chimney, a cold outside chimney, too short a chimney, or a chimney too close to trees or a higher roof?

8.3 FIRE EXTINGUISHERS AND SMOKE DETECTORS

All homes with a solid fuel burning appliance should have at least one fire extinguisher in a central location, known to all, and at least one smoke detector in the room containing the appliance. If it sounds an alarm, correct the cause but do not de-activate or relocate the smoke detector.

8.4 FUEL

! WARNING
BURN WOOD BEHIND THE LOG RETAINER DIRECTLY ON THE FIREBRICKS. DO NOT USE ELEVATED GRATE OR OTHERWISE RAISE THE FIRE.
DO NOT STORE WOOD WITHIN APPLIANCE INSTALLATION CLEARANCES OR WITHIN THE SPACE REQUIRED FOR RE-FUELING AND ASH REMOVAL.

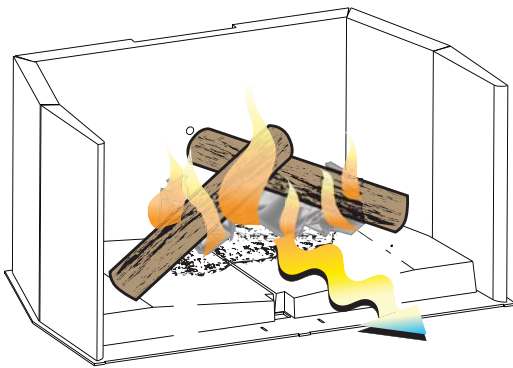
For maximum efficiency, when the appliance is thoroughly hot, load it fully to the top of the door opening and burn at a medium low setting. The bricks will be nearly all white and the glass mostly clear. The whiteness of the bricks and the cleanness of the glass are good indicators of your operating efficiency.

Not enough heat is produced when only one or two pieces of wood are burned.

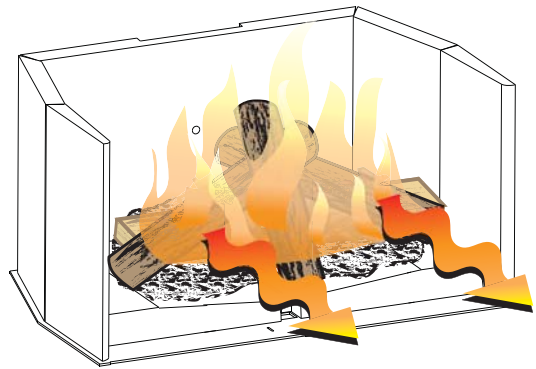
A minimum of three pieces are needed to encase a bed of coals that sustains the fire. Loosely stacked wood burns quicker than a tightly packed load.

Wood burns in cycles rather than giving a steady output of heat. It is best to plan these cycles around your household routine so that only enough coals are left to start the next load. In the evening, load your appliance, at least, a half-hour before bed to ensure the fire is hot enough to close the draft control for an overnight burn.

Burn only dry seasoned wood. It produces more heat and less soot or creosote. Do not burn ocean beach wood. Its salt content can produce a metal eating acid.



INSUFFICIENT FIREWOOD



SUFFICIENT FIREWOOD

8.5 LIGHTING THE FIRE

! WARNING

ALWAYS OPERATE THIS APPLIANCE WITH THE DOOR CLOSED AND LATCHED EXCEPT DURING START UP AND RE-FUELING OR WHEN USING THE SPARK SCREEN. ALWAYS WEAR GLOVES TO PREVENT INJURY. DO NOT LEAVE THE FIRE UNATTENDED WHEN THE DOOR IS UNLATCHED OR WHEN USING A SPARK SCREEN AS UNSTABLE WOOD COULD FALL OUT OF THE FIRE CHAMBER CREATING A FIRE HAZARD TO YOUR HOME.

NEVER LEAVE CHILDREN UNATTENDED WHEN THERE IS A FIRE BURNING IN THE APPLIANCE.

NEVER USE GASOLINE-TYPE LANTERN FUEL, KEROSENE, CHARCOAL LIGHTER FLUID, OR SIMILAR LIQUIDS TO START OR "FRESHEN UP" A FIRE IN THIS APPLIANCE. KEEP ALL SUCH LIQUIDS WELL AWAY FROM THE APPLIANCE.

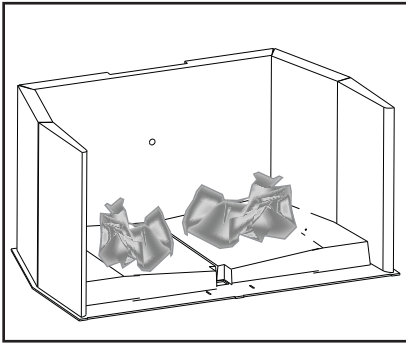
THIS APPLIANCE HAS NOT BEEN TESTED WITH ANY VENTED OR UNVENTED GAS LOG SET. TO REDUCE RISK OF FIRE OR INJURY, DO NOT INSTALL A VENTED OR UNVENTED GAS LOG SET INTO APPLIANCE.

Make sure the air control lever is on high (far right position). You may also open the doors 1" to 2" during the first five minutes of start-up, if additional air is needed see "COMBUSTION AIR" section.

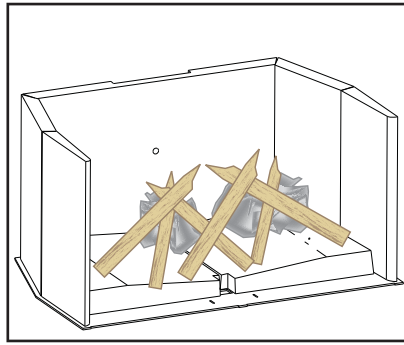
Remove all source of gasoline or other flammable vapours and liquids in the vicinity of this or other appliances prior to lighting.

Use plenty of newspaper and kindling to ensure the appliance reaches a proper temperature. Once the kindling is burning rapidly, place a few larger pieces of wood onto the fire.

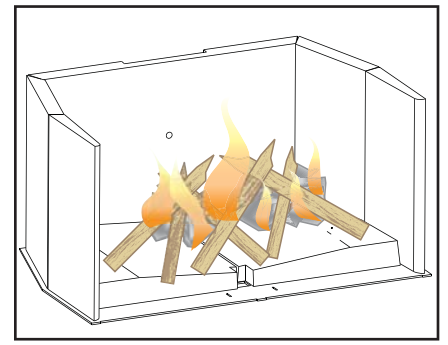
Tip: When first lighting a fire, if the smoke is not quickly drawn into the chimney, there may be a downdraft or cold air in the chimney. By first burning large amounts of crumpled newspaper, the chimney will get heated and the smoke will quickly vent up the chimney.



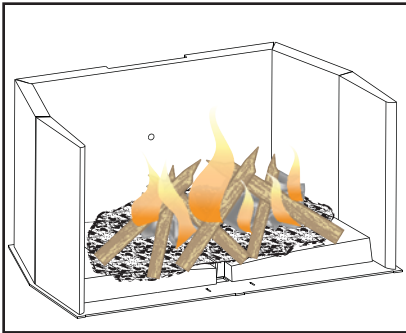
A. To start, a brisk fire is required. Place loosely crumpled paper on the floor of the appliance behind the log retainer.



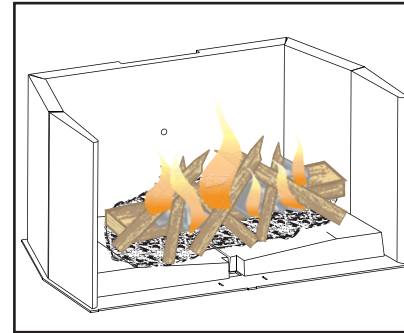
B. Cover with dry kindling.



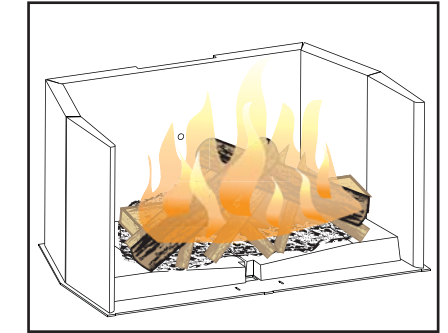
C. Fully open the draft control by moving the lever up (HIGH setting). See "DRAFT CONTROL" section. Light the paper and leave the door slightly ajar (one to two inches) until all kindling is burning.



D. To maintain a brisk fire, a hot coal bed must be established and maintained.



E. Slowly add larger wood (2x4 size pieces). Lay the pieces length wise from side to side in the hot coal bed with a shallow trench between, so that the primary air can flow directly into this trench and ignite the fuel above.



F. When the fire seems to be at its peak, medium sized logs may be added. Once these logs have caught fire, carefully close the doors.

Closing the doors too quickly after refuelling will reduce the firebox temperature and may result in an unsatisfactory burn.

- G.** As soon as the doors are closed, you will observe a change in the flame pattern. The flames will get smaller and lazier because less oxygen is getting into the combustion chamber. The flames, however, are more efficient. The flames will remain lazy but become larger again as soon as the firebricks have been heated thoroughly and the chimney becomes heated and provides a good draft.
- H.** With the doors opened the fire is wastefully drawing heated room air up the chimney, certainly not desirable. Always operate with the doors fully closed once the medium sized logs have caught fire.

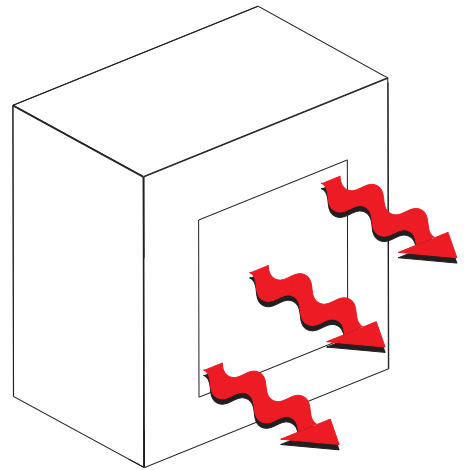
You can now add larger pieces of wood and operate the appliance normally. Once the appliance is entirely hot, it will burn very efficiently with little smoke from the chimney. There will be a bed of hot coals in the firebox so you can safely fill the firebox with wood.

Can't get the appliance operating? Use more kindling and paper. Assuming the chimney and vent are sized correctly and there is sufficient combustion air, the lack of sufficiently *dry* quantities of *small* kindling is the problem. *Thumb* size is a good gauge for small kindling diameter.

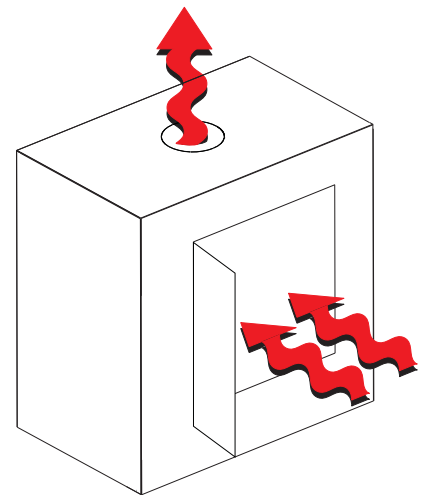
Can't get heat out of the appliance? One of two things may have happened. The appliance door may have been closed prematurely and the appliance itself has not reached optimum temperature. Re-open the door and/or draft control to re-establish a brisk fire. The other problem may have been wet wood. The typical symptom is sizzling wood and moisture being driven from the wood.

NOTE: Appliances surrounded by solid rock or brick, will experience a longer heat up period as those materials absorb the heat being generated.

OPERATING WITH DOOR CLOSED



OPERATING WITH DOOR OPEN



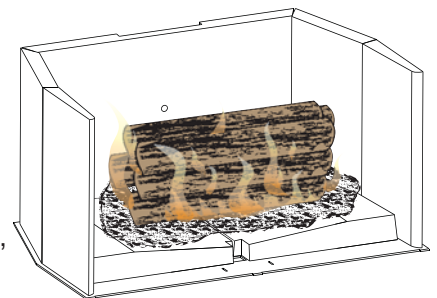
! WARNING

BURNING YOUR APPLIANCE WITH THE DOORS OPEN OR AJAR CREATES A FIRE HAZARD THAT MAY RESULT IN A HOUSE AND OR CHIMNEY FIRE.

8.5.1 OVERNIGHT BURN

This appliance is large enough to accommodate overnight, 14 hour burns. Follow these steps below to achieve an overnight burn.

- Get the appliance hot by moving the air control to high and letting the appliance burn for 15 minutes.
- Load your larger pieces of wood compactly, packed close enough to prevent the flames from penetrating it completely.
- After approximately 30 minutes, depending on the size of the load, reduce the draft control setting making sure that the fire is not extinguished.
- In the morning the appliance should still be hot, with embers in the coal bed. Stir the coals and load small pieces of wood to re-ignite the fire, if desired.

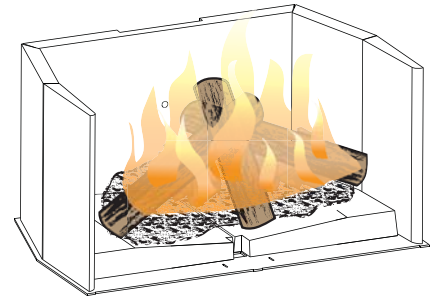


NOTE: Differences in chimney height and draft may lower overall burn times.

DO NOT OVERFIRE THE APPLIANCE! Overfiring can occur by burning large amounts of smaller wood pieces or vigorously burning large loads of wood with the draft control on "HIGH" (fully open) for long periods of time (one or two hours).

8.5.2 FLASH FIRES

A flash fire is a small fire burned quickly when you don't need much heat. After your kindling has "caught", load at least 3 pieces of wood, stacked loosely. Burn with the draft control fully open or closed only slightly.



8.5.3 EXTENDED FIRE

Load your larger pieces of wood compactly, packed close enough to prevent the flames from penetrating it completely. After approximately 30 minutes, depending on the size of the load, close the draft control completely making sure that the fire is not extinguished.

DO NOT OVERFIRE THE APPLIANCE!

Overfiring can occur by:

- A. Burning large amounts of smaller wood pieces such as furniture scraps, skids or treated wood;
- B. Vigorously burning large loads of wood with the draft control on "HIGH" (fully open) for long periods of time (one or two hours).
- C. Operating the appliance with the ash dump door blocked open or a poor gasket seal on the main door.

 82.1

8.6 SMOKING

A properly installed appliance should not smoke. If yours does, check the following:

- Has the chimney had time to get hot?
- Is the smoke passage blocked anywhere in the appliance, chimney connector or chimney?
- Is the room too airtight and the air intake not connected to the outside? Try with a window partly open.
- Is the smoke flow impeded by too long a horizontal pipe or too many bends?
- Is it a weak draft perhaps caused by a leaky chimney, a cold outside chimney, too large a diameter of a chimney, too short a chimney, or a chimney too close to trees or a higher roof?

 83.1

8.7 RE-LOADING THE APPLIANCE

! WARNING

BURNING WET, UNSEASONED WOOD CAN CAUSE EXCESSIVE CREOSOTE ACCUMULATION. WHEN IGNITED IT CAN CAUSE A CHIMNEY FIRE THAT MAY RESULT IN A SERIOUS HOUSE FIRE.

When refuelling open the door slowly to prevent smoke spillage. Use a pair of long appliance gloves when feeding the fire. Keep a small steel shovel nearby to use as a poker and to remove ashes. Do not store wood within 4 feet (1m) of the appliance.

Follow the directions below to minimize smoke spillage while re-loading the appliance.

- A. Move the air control to high.
- B. Open the door slightly. Allow the airflow inside the firebox to stabilize before opening the doors fully.
- C. Load wood and burn at a medium low setting.

9.0 MAINTENANCE

9.1 ASH REMOVAL PROCEDURES

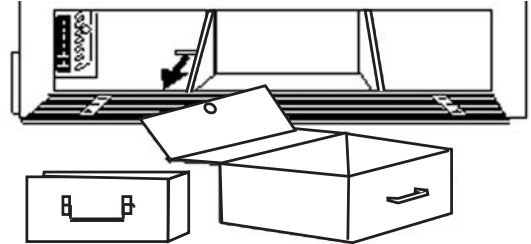
! WARNING

IMPROPER DISPOSAL OF ASHES RESULT IN FIRES. DO NOT DISCARD ASHES IN CARDBOARD BOXES, DUMP IN BACK YARDS, OR STORE IN GARAGES.

IF USING A VACUUM TO CLEAN UP ASHES, BE SURE THE ASHES ARE ENTIRELY COOLED. USING A VACUUM TO CLEAN UP WARM ASHES COULD CAUSE A FIRE INSIDE THE VACUUM.

A bed of ashes approximately 1" deep should be left on the firebox bottom to help maintain a hot charcoal bed. When the fire has burned down and cooled, remove any excess ashes. To remove the ash, follow the directions below.

- A. After the last coal has extinguished, let the appliance cool at least two hours.
- B. Open the appliance doors.
- C. Pull the ash dump handle forward to an open position. Rake the excess ashes over the grate and into the ash pan. Close the ash well.



NOTE: Never operate your appliance with the ash well in an open position! This creates a fire hazard that may result in a house/chimney fire, internal damage to the appliance or discoloration to the gold plated door (plated finishes are not covered by the warranty). To ensure that the ash well is fully closed, allow the door to snap shut, dislodging anything that may be stuck at the opening.

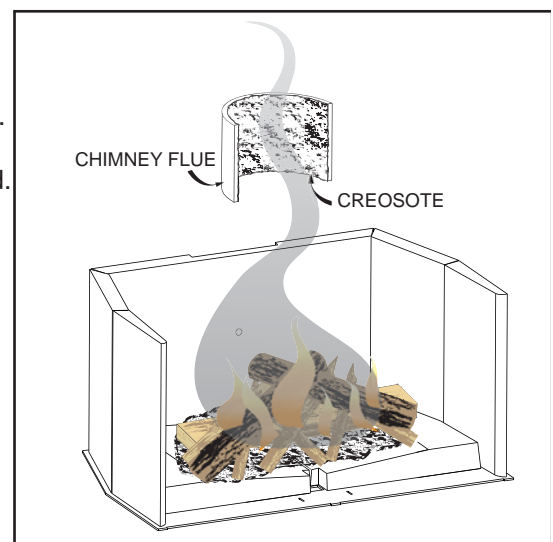
Vacuum out the firebox. Do not use a household vacuum to clean the appliance. We recommend that you use a shop vacuum that is equipped with a fine dust filter or a vacuum specifically made for ashes and soot. Using a vacuum which is not equipped with a fine dust filter may clog and disperse fly ash and soot into the room.

NOTE: The appliance must be completely out before you vacuum the appliance. Live ashes, if sucked into the vacuum will light the vacuum on fire and may ultimately cause a house fire.

Flip the cover up onto the ash pan when transporting the ashes to a closed container with a tight fitting lid for storage. Carry the ash pan using the front and back handles. Keep the closed container on a non-combustible floor or ground, well away from all combustible materials. The ashes should be retained in the closed container until all cinders have thoroughly cooled. Cold wood ashes can be used on the garden or compost.

9.2 CREOSOTE FORMATION AND REMOVAL

When wood is burned slowly, it produces tar and other organic vapours which combine with expelled moisture to form creosote. These vapours condense in the relatively cooler chimney flue of a slow burning fire and when ignited, make an extremely hot fire. So, the smoke pipe and chimney should be inspected monthly during the heating season to determine if a buildup has occurred. If creosote has accumulated it should be removed to reduce the risk of a chimney fire.



84.1A

9.3 RUN-AWAY OR CHIMNEY FIRE

WARNING

A CHIMNEY FIRE CAN PERMANENTLY DAMAGE YOUR CHIMNEY SYSTEM. THIS DAMAGE CAN ONLY BE REPAIRED BY REPLACING THE DAMAGED COMPONENT PARTS. CHIMNEY FIRES ARE NOT COVERED BY THE LIFETIME LIMITED WARRANTY.

Runaway fires can be the result of three major factors:

- Using incorrect fuel, or small fuel pieces which wood normally be used as kindling.
- Leaving the door ajar too long and creating extreme temperatures as the air rushes in the open door.
- Burning your appliance with the ash plug not securely seated.

SOLUTIONS:

- Do not burn treated or processed wood, coal, charcoal, coloured paper or cardboard.
- Be careful not to over-fire the appliance by leaving the door open too long after initial start-up. A thermometer on the chimney connector and/or appliance top helps.
- Always operate the appliance with the ash plug properly installed.

IN CASE OF A CHIMNEY FIRE:

- Have a well understood plan for evacuation and a place outside for everyone to meet. Prepare to evacuate to ensure everyone's safety.
- Close air control on appliance.
- Call local fire department. Have a fire extinguisher handy. Contact local authorities for further information on how to handle a chimney fire.
- After the chimney fire is out, clean and inspect the chimney for stress and cracks prior to lighting another fire. Also check combustibles around the chimney and the roof.

85.1

9.4 CHIMNEY CLEANING

For serious wood burners, chimney cleaning must be done as needed to avoid chimney fires; the venting systems for controlled combustion appliances may need cleaning as often as once a month. These rates, however, depend on the burning habits of the individual operating the appliance. For example, it is possible to clog a solid fuel appliance chimney in a few days if slow, smoldering fires are burned and the chimney is cold.

NOTE: Appliances burned consistently without hot fires may result in significant creosote accumulations in the chimney.

Certain items and considerations are important in chimney cleaning:

- Proper tools should be used, including a brush specifically designed for chimney cleaning.
- The chimney connector and dampers as well as the chimney should be cleaned.
- The appliance's firebox and baffle system should be cleaned if needed.
- The chimney should be inspected and repairs made if needed, preferably by a qualified chimney sweep or mason.

86.1

9.5 GLASS REPLACEMENT

To remove the door, open and lift out; remove the screws and brackets holding the glass in place. Remove all broken glass. Wrap the edges of the new glass with a U-shaped strip of fiberglass gasket, covering 1/4" on each side. Place this gasketed glass in position and replace the brackets and screws. When finished, you should be able to move the glass slightly, horizontally and vertically.

9.6 CARE OF GLASS

If the glass is not kept clean permanent discoloration and / or blemishes may result. Normally a hot fire will clean the glass. The most common reasons for dirty glass include: not using sufficient fuel to get the appliance thoroughly hot, using green or wet wood, closing the draft so far that there is insufficient air for complete combustion.

If it is necessary to clean the glass, buff lightly with a clean dry cloth and non-abrasive cleaner.



DO NOT CLEAN GLASS WHEN HOT! Clean the glass after the first 10 hours of operation with a recommended appliance glass cleaner. Thereafter clean as required.

The glass is very strong but do not let burning fuel rest or fall against it and always close the door gently. **NEVER FORCE IT SHUT!**

If the glass should ever crack or break while the fire is burning, do not open the door until the fire is out and do not operate the appliance again until the glass has been replaced, available from your Authorized dealer. **DO NOT SUBSTITUTE MATERIALS.**

5.3

9.7 CARE OF PLATED PARTS

If the appliance is equipped with plated parts, you must clean fingerprints or other marks from the plated surfaces before operating the appliance for the first time. Use a glass cleaner or vinegar and towel to clean. If not cleaned properly before operating for the first time, the marks can cause permanent blemishes on the plating. After the plating is cured, the fingerprints and oils will not affect the finish and little maintenance is required, just wipe clean as needed. Prolonged high temperature burning with the door ajar may cause discoloration on plated parts.

NOTE: The protective wrap on plated parts is best removed when the assembly is at room temperature but this can be improved if the assembly is warmed, using a hair dryer or similar heat source.

6.1

9.8 GASKET / BAFFLE REPLACEMENT

At the end of each burning season inspect the baffle located above the secondary air tubes for deterioration. Replace if necessary. At this time also check that the door gasket is not worn or loose. Replace with 1/2" fiberglass rope if necessary.

9.9 WOOD

! WARNING

THIS APPLIANCE IS DESIGNED TO BURN NATURAL WOOD ONLY. DO NOT BURN TREATED WOOD, COAL, CHARCOAL, COLOURED PAPER, CARDBOARD, SOLVENTS OR GARBAGE. THIS APPLIANCE HAS NOT BEEN TESTED WITH AN UNVENTED GAS LOG SET. TO REDUCE RISK OF FIRE OR INJURY, DO NOT INSTALL AN UNVENTED GAS LOG SET INTO THE APPLIANCE.

HIGHER EFFICIENCIES AND LOWER EMISSIONS GENERALLY RESULT WHEN BURNING AIR DRIED SEASONED HARDWOODS, AS COMPARED TO SOFTWOODS OR TOO GREEN OR FRESHLY CUT HARDWOODS.

BURNING WET UNSEASONED WOOD CAN CAUSE EXCESSIVE CREOSOTE ACCUMULATION. WHEN IGNITED IT CAN CAUSE A CHIMNEY FIRE THAT MAY RESULT IN A SERIOUS HOUSE FIRE.

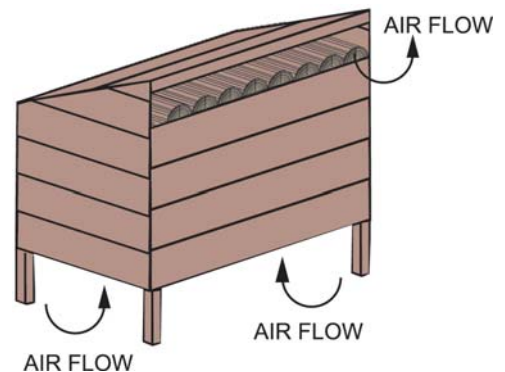
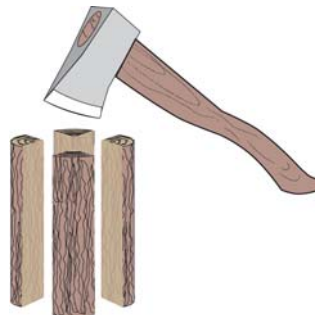
Fuel for the appliance must not be stored closer than the required clearances to combustibles (heat sensitive material). **NEVER STORE WOOD IN THE ASH PAN COMPARTMENT.**

Burn only dry, clean unpainted wood that has been seasoned. It produces more heat and less soot or creosote. Freshly cut wood contains about 50% moisture while after proper seasoning only about 20% of the water remains. As wood is burned, this water boils off consuming energy that should be used in heating. The wetter the wood, the less heat is given off and the more creosote is produced. Dry firewood has cracks in the end of the grain.

Both hardwood and softwood burn equally well in this appliance but hardwood is denser, will weigh more per cord and burn a little slower and longer.

Firewood should be split, stacked in a manner that air can get to all parts of it and covered in early spring to be ready for burning that fall. Dry firewood has cracks in the end grain.

Cut the wood so that it will fit horizontally, front to back, making for easier loading and less of a likelihood that the wood will roll onto the glass.

**DO'S**

- Build a hot fire.
- Use only dry wood.
- Several pieces of medium sized wood are better than a few big pieces.
- Clean chimney regularly.
- Refuel frequently using medium sized wood.
- "Fine Tune" the air settings for optimum performance.

DONT'S

- Take ash out immediately. Let it accumulate to a depth of at least one inch. A good ash layer provides for a longer lasting and better burning fire.
- Burn wet wood.
- Close the door too soon or damper down too quickly.
- Burn one large log rather than two or three smaller, more reasonably sized logs.
- Burn at continually "low setting", if glass door is constantly blackened. This means the fire-box temperature is too low.

10.0 REPLACEMENTS

Contact your dealer or the factory for questions concerning prices and policies on replacement parts. Normally all parts can be ordered through your Authorized dealer / distributor.

FOR WARRANTY REPLACEMENT PARTS, A PHOTOCOPY OF THE ORIGINAL INVOICE WILL BE REQUIRED TO HONOUR THE CLAIM.

When ordering replacement parts always give the following information:

- Model & Serial Number of appliance
- Installation date of appliance
- Part number
- Description of part
- Finish

*** IDENTIFIES ITEMS WHICH ARE NOT ILLUSTRATED. FOR FURTHER INFORMATION, CONTACT YOUR AUTHORIZED DEALER.**

WARNING

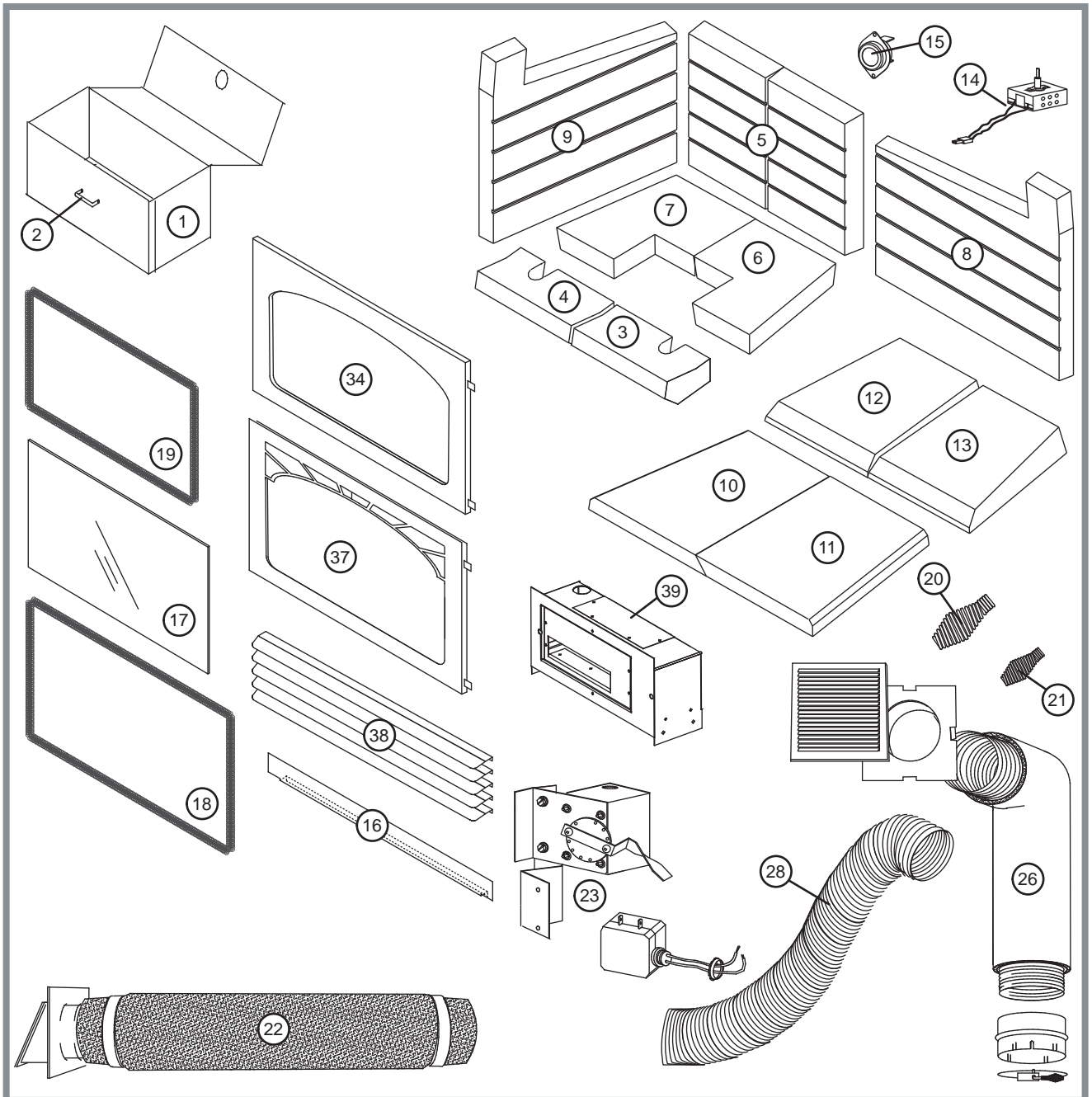
FAILURE TO POSITION THE PARTS IN ACCORDANCE WITH THIS MANUAL OR FAILURE TO USE ONLY PARTS SPECIFICALLY APPROVED WITH THIS APPLIANCE MAY RESULT IN PROPERTY DAMAGE OR PERSONAL INJURY.

41.1

REPLACEMENT PARTS		
REF	PART NUMBER	DESCRIPTION
1	W010-0243	ASH PAN WITH LID
2	W325-0028	ASH PAN HANDLE
3	W090-0044	RIGHT FRONT FIREBRICK
4	W090-0045	LEFT FRONT FIREBRICK
5	W090-0039	REAR FIREBRICK - 2 REQUIRED
6	W090-0042	BOTTOM RIGHT FIREBRICK
7	W090-0043	BOTTOM LEFT FIREBRICK
8	W090-0041	RIGHT SIDE FIREBRICK
9	W090-0040	LEFT SIDE FIREBRICK
10	W090-0037	LEFT UPPER FIREBRICK BAFFLE
11	W090-0038	RIGHT UPPER FIREBRICK BAFFLE
12	W018-0063	RIGHT FIBRE BAFFLE
13	W018-0064	LEFT FIBRE BAFFLE
14	KB35	VARIABLE SPEED CONTROL
15	W690-0002	HEAT SENSOR
16	W018-0060	BAFFLE SUPPORT
17	W010-1072	DOOR C/W GLASS & GASKET
18	W020-0044	DOOR GASKET KIT
19	W562-0016	GLASS GASKET
20	W325-0007	LARGE SPRING HANDLE
21	W325-0002	SMALL SPRING HANDLE
ACCESSORIES		
REF	PART NUMBER	DESCRIPTION
22	111KT	OUTSIDE AIR KIT
23	NZ 690KT	THERMOSTATIC AIR CONTROL KIT
24	NZ62 CH*	CENTRAL HEATING KIT
25	NZ62*	BLOWER KIT
26	NZ 220	HOT AIR GRAVITY VENT KIT - 5 FT.
27	GA-566	HOT AIR DISTRIBUTION KIT
28	GA-70	EXTENSION KIT - 5 FT
29	W175-0002*	FLEXIBLE PIPE COUPLER - 8" DIA.
30	W010-0067*	FLEXIBLE VENT SUPPORT ASSEMBLY
31	NZ-FTS*	FLUE TILE SUPPORT ASSEMBLY
32	NZ 220-2*	HOT AIR GRAVITY VENT EXTENSION KIT - 5 FT. C/W INSULATION SLEEVE
33	W410-0005*	10FT FLEXIBLE ALUMINIUM AIR VENT - 8" DIA. (FOR USE WITH NZ62CH)

ACCESSORIES

REF	PART NUMBER	DESCRIPTION
34	H333	ARCHED BLACK DOOR c/w HANDLE & GASKET
35	H333G	ARCHED GOLD PLATED DOOR c/w HANDLE & GASKET
36	H333SS	ARCHED STAINLESS STEEL DOOR c/w HANDLE & GASKET
37	H334	WEBBED BLACK DOOR c/w HANDLE & GASKET
37	H334G	WEBBED GOLD PLATED DOOR c/w HANDLE & GASKET
37	H334SS	WEBBED STAINLESS STEEL DOOR c/w HANDLE & GASKET
38	NZLPB	UPPER & LOWER LOUVRE ASSEMBLY- POLISHED BRASS
38	NZLK	UPPER & LOWER LOUVRE ASSEMBLY - BLACK
38	NZLG	UPPER & LOWER LOUVRE ASSEMBLY - GOLD PLATED
38	NZLSS	UPPER & LOWER LOUVRE ASSEMBLY - SATIN CHROME
39	CFSK-B	CAST SURROUND KIT
40	AK-5	ADAPTER KIT, CAST SURROUND



11.0 TROUBLE SHOOTING GUIDE

! WARNING

TURN OFF THE ELECTRICAL POWER BEFORE SERVICING THE APPLIANCE.

APPLIANCE MAY BE HOT, DO NOT SERVICE UNTIL APPLIANCE HAS COOLED.

DO NOT USE ABRASIVE CLEANERS.

WHEN CHECKING CONNECTIONS, INSTALLING JUMPER WIRES (FOR TEST PURPOSES ONLY) OR REPLACING COMPONENTS, UNPLUG HEATER FROM THE RECEPTACLE TO PREVENT ELECTRICAL SHOCK OR DAMAGE TO THE COMPONENT.

PROBLEM	SOLUTION
Can't get the fire started.	<ul style="list-style-type: none"> - Not enough kindling / paper? Add more. - Not enough air? Ensure air control is fully open. - Cold air blockage? Burn a piece of paper to establish a draft. - Use dry seasoned wood. - Flue blockage? Inspect chimney.
Smokes when door is open.	<ul style="list-style-type: none"> - Cold air blockage? Burn a piece of paper to establish a draft. - Insufficient draft? Add more pipe. - Let air stabilize before opening door. - Ensure baffles are positioned correctly. - Negative pressure? Open a window near the appliance.
Appliance emits odour.	<ul style="list-style-type: none"> - Paint curing. See "GENERAL INSTRUCTIONS" section.
Stove doesn't burnt hot enough.	<ul style="list-style-type: none"> - Wood is too wet. - Insufficient draft? Add more pipe. - Not enough air? Ensure air control is fully open.
Wood burns too fast.	<ul style="list-style-type: none"> - Air control may need to be adjusted down. - Check to see ash plug is properly seated (if equipped). - Check door gasket for adequate seal. - Wood may be extremely dry.
Dirty glass.	<ul style="list-style-type: none"> - Air control may be closed too far. - Burn hotter, smaller fires. - Use well seasoned wood.
Blower does not run.	<ul style="list-style-type: none"> - Appliance may not be up to temperature. - Ensure blower has power.

42.14A

12.0 WARRANTY

NAPOLEON® products are manufactured under the strict Standard of the world recognized ISO 9001 : 2008 Quality Assurance Certificate.

NAPOLEON® products are designed with superior components and materials, assembled by trained craftsmen who take great pride in their work. The complete fireplace is again thoroughly inspected by a qualified technician before packaging to ensure that you, the customer, receives the quality product that you expect from NAPOLEON®.

NAPOLEON® WOOD FIREPLACE PRESIDENT'S LIFETIME LIMITED WARRANTY

The following materials and workmanship in your new NAPOLEON® wood fireplace are warranted against defects for as long as you own the fireplace. This covers: combustion chamber, heat exchanger, stainless steel baffle retainer, ceramic glass (thermal breakage only), gold plated parts against tarnishing, porcelainized enameled components, aluminum extrusion trims ash drawer and cast iron castings.

Electrical (110V) components and wearable parts such as blowers, thermal switch, switches, wiring, firebrick, and gasketing are covered and NAPOLEON® will provide replacement parts free of charge during the first year of the limited warranty.

Labour related to warranty repair is covered free of charge during the first year. Repair work, however, requires the prior approval of an authorized company official. Labour costs to the account of NAPOLEON® are based on a predetermined rate schedule and any repair work must be done through an authorized NAPOLEON® dealer.

CONDITIONS AND LIMITATIONS

NAPOLEON® warrants its products against manufacturing defects to the original purchaser only. Registering your warranty is not necessary. Simply provide your proof of purchase along with the model and serial number to make a warranty claim. Provided that the purchase was made through an authorized NAPOLEON® dealer your fireplace is subject to the following conditions and limitations: This factory warranty is non-transferable and may not be extended whatsoever by any of our representatives. The wood fireplace must be installed by an authorized service technician or contractor. Installation must be done in accordance with the installation instructions included with the product and all local and national building and fire codes. This limited warranty does not cover damages caused by misuse, lack of maintenance, accident, alterations, abuse or neglect and parts installed from other manufacturers will nullify this warranty. This limited warranty further does not cover any scratches, dents, corrosion or discoloring caused by excessive heat, abrasive and chemical cleaners nor chipping on porcelain enamel parts, nor any venting components used in the installation of the fireplace. In the first year only, this warranty extends to the repair or replacement of warranted parts which are defective in material or workmanship provided that the product has been operated in accordance with the operation instructions and under normal conditions. After the first year, with respect to the President's Lifetime Limited Warranty, NAPOLEON® may, at its discretion, fully discharge all obligations with respect to this warranty by refunding to the original warranted purchaser the wholesale price of any warranted but defective part(s). After the first year, NAPOLEON® will not be responsible for installation, labour or any other costs or expenses related to the reinstallation of a warranted part, and such expenses are not covered by this warranty. Notwithstanding any provisions contained in the President's Lifetime Limited Warranty, NAPOLEON's responsibility under this warranty is defined as above and it shall not in any event extend to any incidental, consequential or indirect damages. This warranty defines the obligations and liability of NAPOLEON® with respect to the NAPOLEON® wood fireplace and any other warranties expressed or implied with respect to this product, its components or accessories are excluded. NAPOLEON® neither assumes, nor authorizes any third party to assume, on its behalf, any other liabilities with respect to the sale of this product. NAPOLEON® will not be responsible for: over-firing, downdrafts, spillage caused by environmental conditions such as rooftops, buildings, nearby trees, hills, mountains, inadequate vents or ventilation, excessive venting configurations, insufficient makeup air, or negative air pressures which may or may not be caused by mechanical systems such as exhaust fans, furnaces, clothes dryers, etc. Any damages to fireplace, combustion chamber, heat exchanger, brass trim or other component due to water, weather damage, long periods of dampness, condensation, damaging chemicals or cleaners will not be the responsibility of NAPOLEON®. NAPOLEON® reserves the right to have its representative inspect any product or part thereof prior to honouring any warranty claim.

ALL SPECIFICATIONS AND DESIGNS ARE SUBJECT TO CHANGE WITHOUT PRIOR NOTICE DUE TO ON-GOING PRODUCT IMPROVEMENTS. NAPOLEON® IS A REGISTERED TRADEMARK OF WOLF STEEL LTD. PATENTS U.S. 5.303.693.801 - CAN. 2.073.411, 2.082.915. © WOLF STEEL LTD.

13.0 SERVICE HISTORY

Appliance Service History

This heater must be serviced annually depending on usage.

Date	Dealer Name	Service Technician Name	Service Performed	Special Concerns

