

**INSTALLER: LEAVE THIS MANUAL WITH THE APPLIANCE.  
 CONSUMER: RETAIN THIS MANUAL FOR FUTURE REFERENCE.  
 NEVER LEAVE CHILDREN OR OTHER AT RISK INDIVIDUALS ALONE WITH THE APPLIANCE.**



# INSTALLATION AND OPERATING INSTRUCTIONS

CERTIFIED UNDER CANADIAN AND AMERICAN NATIONAL STANDARDS: ANSI Z21.50 • CSA 2.22 FOR VENTED GAS FIREPLACES.

CERTIFIED FOR CANADA AND UNITED STATES USING ANSI/CSA METHODS.

## SAFETY INFORMATION

### **! WARNING**

If the information in these instructions are not followed exactly, a fire or explosion may result causing property damage, personal injury or loss of life.

- Do not store or use gasoline or other flammable vapors and liquids in the vicinity of this or any other appliance.
- **WHAT TO DO IF YOU SMELL GAS:**
  - Do not try to light any appliance.
  - Do not touch any electrical switch; do not use any phone in your building.
  - Immediately call your gas supplier from a neighbour's phone. Follow the gas supplier's instructions.
  - If you cannot reach your gas supplier, call the fire department.
- Installation and service must be performed by a qualified installer, service agency or the supplier.

This appliance may be installed in an aftermarket, permanently located, manufactured home (USA only) or mobile home, where not prohibited by local codes.

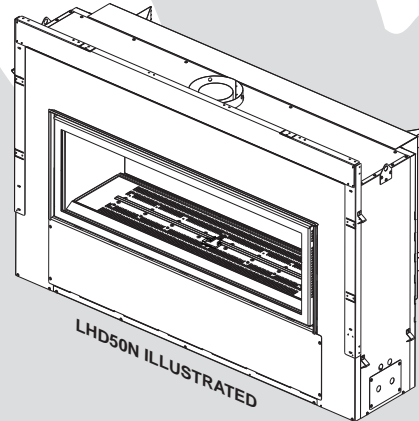
This appliance is only for use with the type of gas indicated on the rating plate. This appliance is not convertible for use with other gases, unless a certified kit is used.

Decorative Product: Not for use as a heating appliance.



**LHD50N  
LHD50N2  
NATURAL GAS**

**LHD50P  
LHD50P2  
PROPANE**



### **! WARNING**

**HOT GLASS WILL CAUSE BURNS.**

**DO NOT TOUCH GLASS UNTIL COOLED.**

**NEVER ALLOW CHILDREN TO TOUCH GLASS.**



Wolf Steel Ltd., 24 Napoleon Rd., Barrie, ON, L4M 0G8 Canada /  
 103 Miller Drive, Crittenden, Kentucky, USA, 41030

Phone (705)721-1212 • Fax (705)722-6031 • www.napoleonfireplaces.com • ask@napoleonproducts.com

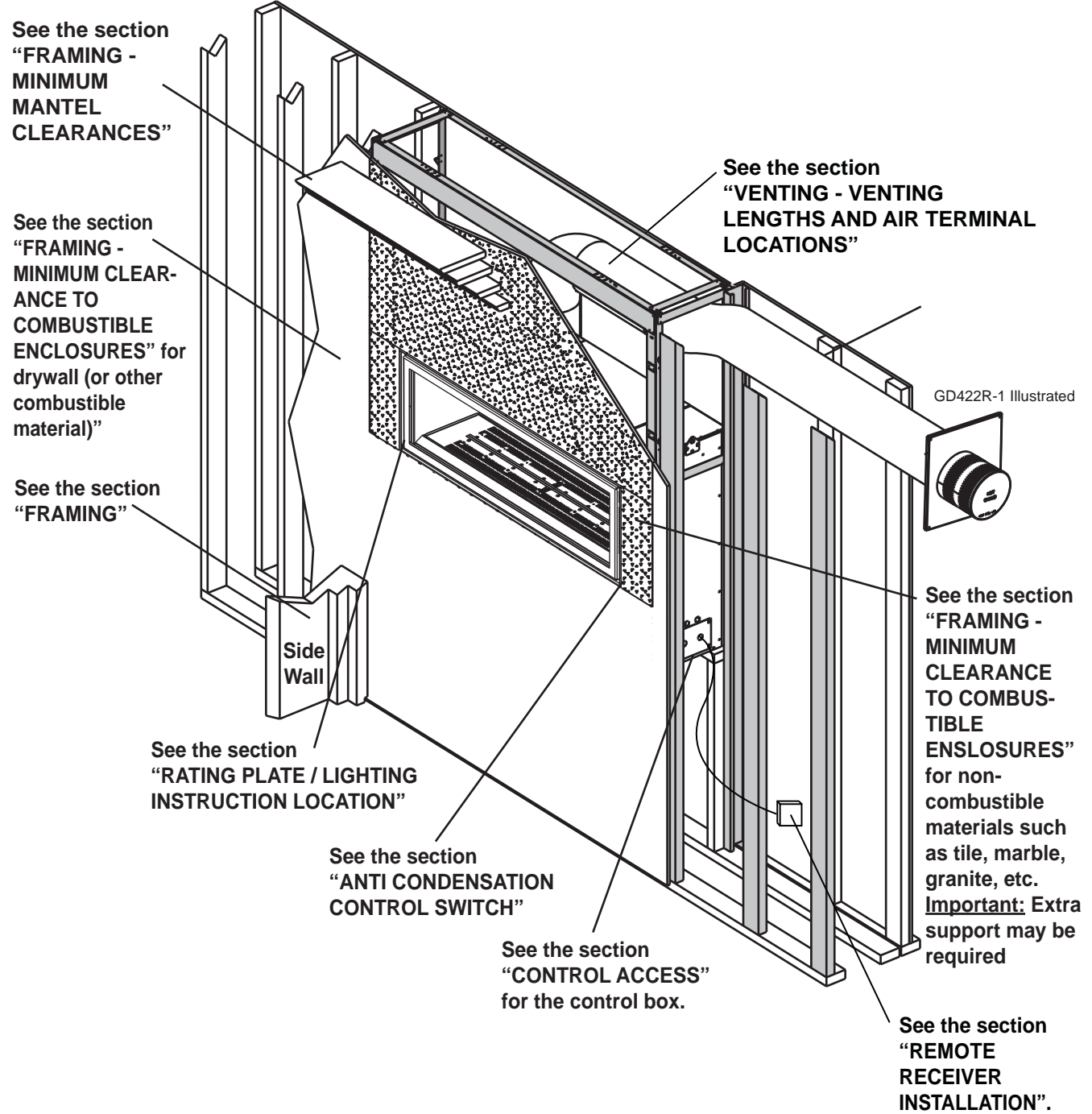
# TABLE OF CONTENTS

<b>1.0</b>	<b>INSTALLATION OVERVIEW</b>	<b>3</b>
<b>2.0</b>	<b>INTRODUCTION</b>	<b>4</b>
2.1	DIMENSIONS	5
2.2	GENERAL INSTRUCTIONS	6
2.3	GENERAL INFORMATION	7
2.4	RATING PLATE / LIGHTING INSTRUCTION LOCATION	8
2.5	SHIPPING HANDLES	9
<b>3.0</b>	<b>VENTING</b>	<b>10</b>
3.1	VENTING LENGTHS AND COMPONENTS FOR DIRECT VENT INSTALLATIONS	10
3.2	TYPICAL VENT INSTALLATIONS	11
3.3	SPECIAL VENT INSTALLATION	12
3.3.1	PERISCOPE TERMINATION	12
3.4	MINIMUM AIR TERMINAL LOCATION CLEARANCES	13
3.5	VENT APPLICATION FLOW CHART	14
3.6	DEFINITIONS	14
3.7	ELBOW VENT LENGTH VALUES	14
3.8	HORIZONTAL TERMINATION	15
3.9	VERTICAL TERMINATION	17
<b>4.0</b>	<b>INSTALLATION</b>	<b>19</b>
4.1	WALL AND CEILING PROTECTION	19
4.1.1	HORIZONTAL INSTALLATION	20
4.1.2	VERTICAL INSTALLATION	20
4.2	USING FLEXIBLE VENT COMPONENTS	21
4.2.1	HORIZONTAL AIR TERMINAL INSTALLATION	22
4.2.2	VERTICAL AIR TERMINAL INSTALLATION	23
4.2.3	APPLIANCE VENT CONNECTION	24
4.3	MOBILE HOME INSTALLATION	24
4.4	GAS INSTALLATION	25
<b>5.0</b>	<b>FRAMING</b>	<b>26</b>
5.1	TWO SIDED APPLIANCE	28
5.2	ONE SIDE APPLIANCE	30
5.3	MINIMUM CLEARANCE TO COMBUSTIBLE ENCLOSURES	32
5.4	INSTALLING NON-COMBUSTIBLE BOARD	35
5.5	MINIMUM COMBUSTIBLE MANTEL CLEARANCES	37
<b>6.0</b>	<b>FINISHING</b>	<b>38</b>
6.1	DOOR REMOVAL / INSTALLATION	38
6.2	GLASS MEDIA INSTALLATION	40
6.3	OPTIONAL ROCK PLACEMENT	41
6.4	LOGO PLACEMENT	41
6.5	UNIQUE INSTALLATIONS	41
<b>7.0</b>	<b>ELECTRICAL CONNECTION</b>	<b>42</b>
7.1	HARD WIRING CONNECTION	42
7.2	RECEPTACLE WIRING DIAGRAM	43
7.3	REMOTE RECEIVER INSTALLATION	43
7.4	SCHEMATIC	44
<b>8.0</b>	<b>OPERATION</b>	<b>45</b>
8.1	GENERAL TRANSMITTER LAYOUT	45
8.2	APPLIANCE OPERATION	45
8.3	HAND HELD REMOTE OPERATIONS	45
8.4	TEMPERATURE DISPLAY	46
8.5	ROOM THERMOSTAT	46
8.6	SMART THERMOSTAT	46
8.7	FLAME HEIGHT	46
8.8	CHILD PROOF FUNCTION	47
8.9	CRYSTALITES	47
8.10	LOW BATTERY / MANUAL BYPASS	47
8.11	IN THE EVENT OF A POWER FAILURE	47
8.12	CONTROL MODULE	48
8.13	ANTI CONDENSATION CONTROL SWITCH	48
8.14	TIMED BLOWER	48
<b>9.0</b>	<b>OPERATING INSTRUCTIONS</b>	<b>49</b>
<b>10.0</b>	<b>ADJUSTMENT</b>	<b>50</b>
10.1	RESTRICTING VERTICAL VENTS	50
10.2	PILOT BURNER ADJUSTMENT	50
10.3	VENTURI ADJUSTMENT	51
10.4	FLAME CHARACTERISTICS	51
<b>11.0</b>	<b>MAINTENANCE</b>	<b>52</b>
11.1	ANNUAL MAINTENANCE	52
11.2	CONTROL ACCESS	53
11.3	VALVE TRAIN ASSEMBLY	54
11.4	VALVE REMOVAL	54
11.5	BURNER REMOVAL	55
11.6	CONTROL MODULE REMOVAL	55
11.7	IPI BOARD AND AC ADAPTOR ACCESS	55
11.8	LAMP REPLACEMENT	56
11.9	LENS ASSEMBLY REPLACEMENT	56

**NOTE:** Changes, other than editorial, are denoted by a vertical line in the margin.

11.10	PORCELAIN WRAP REMOVAL	57
11.11	DOOR LATCH REPLACEMENT	57
11.12	GLASS / DOOR REPLACEMENT	58
11.13	CARE OF GLASS	58
11.14	CARE OF PLATED PARTS	58
12.0	REPLACEMENTS	59
13.0	TROUBLESHOOTING	62
14.0	WARRANTY	65
15.0	SERVICE HISTORY	66
16.0	NOTES	67

# 1.0 INSTALLATION OVERVIEW



## 2.0 INTRODUCTION

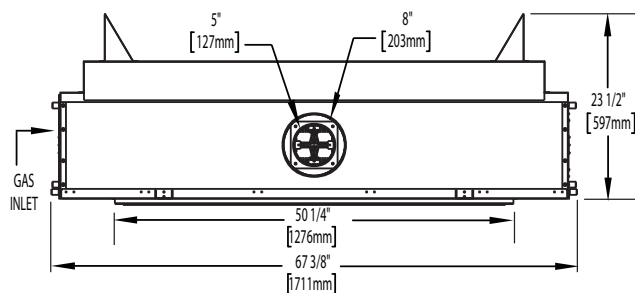
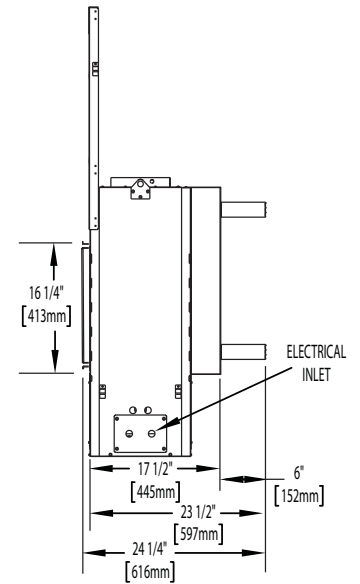
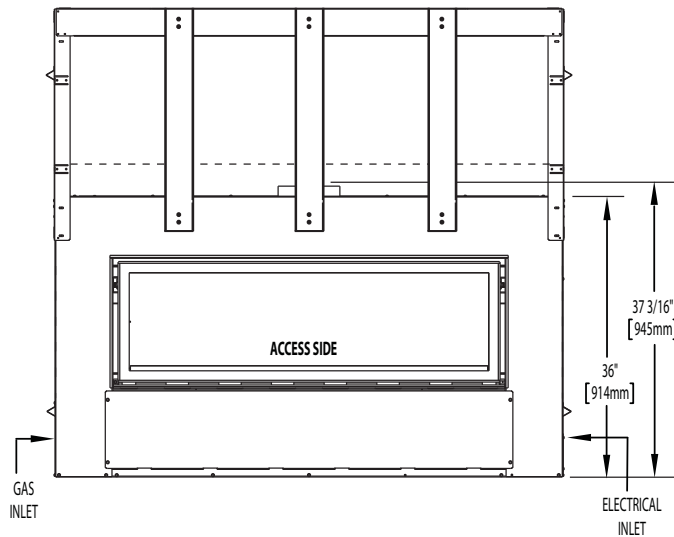
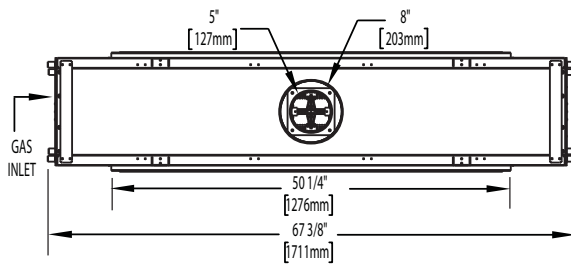
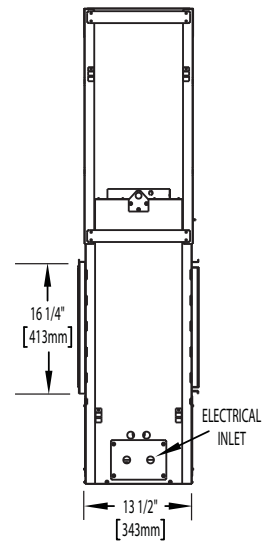
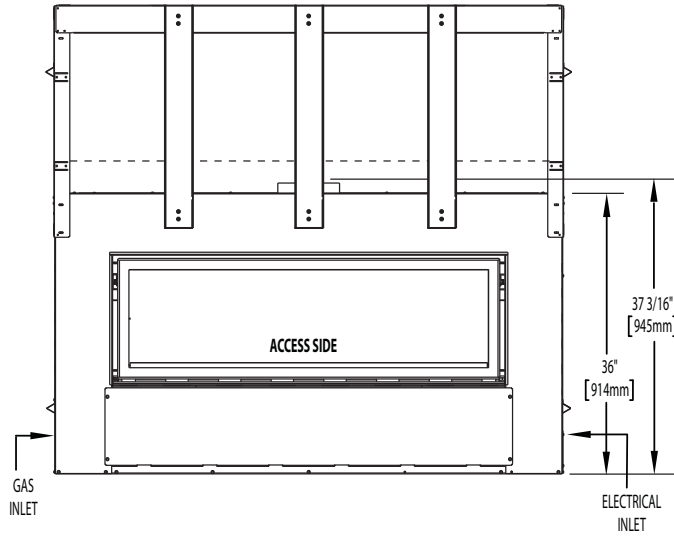
EN

**! WARNING**

- **THIS APPLIANCE IS HOT WHEN OPERATED AND CAN CAUSE SEVERE BURNS IF CONTACTED. ANY CHANGES OR ALTERATIONS TO THIS APPLIANCE OR ITS CONTROLS CAN BE DANGEROUS AND IS PROHIBITED.**
- Do not operate appliance before reading and understanding operating instructions. Failure to operate appliance according to operating instructions could cause fire or injury.
- Risk of fire or asphyxiation do not operate appliance with fixed glass removed.
- Do not connect 110 volts to the control valve.
- Risk of burns. The appliance should be turned off and cooled before servicing.
- Do not install damaged, incomplete or substitute components.
- Risk of cuts and abrasions. Wear protective gloves and safety glasses during installation. Sheet metal edges may be sharp.
- Do not burn wood or other materials in this appliance.
- Children and adults should be alerted to the hazards of high surface temperature and should stay away to avoid burns or clothing ignition.
- Young children should be carefully supervised when they are in the same room as the appliance. Toddlers, young children and others may be susceptible to accidental contact burns. A physical barrier is recommended if there are at risk individuals in the house. To restrict access to an appliance, install an adjustable safety gate to keep toddlers, young children and other at risk individuals out of the room and away from hot surfaces.
- Clothing or other flammable material should not be placed on or near the appliance.
- Due to high temperatures, the appliance should be located out of traffic and away from furniture and draperies.
- Ensure you have incorporated adequate safety measure to protect infants/toddlers from touching hot surfaces.
- Even after the appliance is out, the glass and/or screen will remain hot for an extended period of time.
- Check with your local hearth specialty dealer for safety screens and hearth guards to protect children from hot surfaces. These screens and guards must be fastened to the floor.
- Any safety screen or guard removed for servicing must be replaced prior to operating the appliance.
- The appliance is a vented gas-fired appliance. Do not burn wood or other materials in the appliance
- It is imperative that the control compartments, burners and circulating blower and its passageway in the appliance and venting system are kept clean. The appliance and its venting system should be inspected before use and at least annually by a qualified service person. More frequent cleaning may be required due to excessive lint from carpeting, bedding material, etc. The appliance area must be kept clear and free from combustible materials, gasoline and other flammable vapors and liquids.
- Under no circumstances should this appliance be modified.
- This appliance must not be connected to a chimney flue pipe serving a separate solid fuel burning appliance.
- Do not use this appliance if any part has been under water. Immediately call a qualified service technician to inspect the appliance and to replace any part of the control system and any gas control which has been under water.
- Do not operate the appliance with the glass door removed, cracked or broken. Replacement of the glass should be done by a licensed or qualified service person.
- Do not strike or slam shut the appliance glass door.
- When equipped with pressure relief doors, they must be kept closed while the appliance is operating to prevent exhaust fumes containing carbon monoxide, from entering into the home. Temperatures of the exhaust escaping through these openings can also cause the surrounding combustible materials to overheat and catch fire.
- Only doors / optional fronts certified with the appliance are to be installed on the appliance.
- Keep the packaging material out of reach of children and dispose of the material in a safe manner. As with all plastic bags, these are not toys and should be kept away from children and infants.
- As with any combustion appliance, we recommend having your appliance regularly inspected and serviced as well as having a Carbon Monoxide Detector installed in the same area to defend you and your family against Carbon Monoxide.
- Ensure clearances to combustibles are maintained when building a mantel or shelves above the appliance. Elevated temperatures on the wall or in the air above the appliance can cause melting, discoloration or damage of decorations, a T.V. or other electronic components.

3.2B

2.1 DIMENSIONS



## 2.2 GENERAL INSTRUCTIONS

EN

<b>! WARNING</b>
<b>ALWAYS LIGHT THE PILOT WHETHER FOR THE FIRST TIME OR IF THE GAS SUPPLY HAS RUN OUT, WITH THE GLASS DOOR OPENED OR REMOVED.</b>
<b>PROVIDE ADEQUATE CLEARANCE FOR SERVICING AND OPERATING THE APPLIANCE.</b>
<b>PROVIDE ADEQUATE VENTILATION.</b>
<b>NEVER OBSTRUCT THE FRONT OPENING OF THE APPLIANCE.</b>
<b>OBJECTS PLACED IN FRONT OF THE APPLIANCE MUST BE KEPT A MINIMUM OF 48" (1219.2mm) FROM THE FRONT FACE OF THE APPLIANCE.</b>
<b>SURFACES AROUND AND ESPECIALLY ABOVE THE APPLIANCE CAN BECOME HOT. AVOID CONTACT WHEN THE APPLIANCE IS OPERATING.</b>
<b>FIRE RISK. EXPLOSION HAZARD.</b>
<b>HIGH PRESSURE WILL DAMAGE VALVE. DISCONNECT GAS SUPPLY PIPING BEFORE PRESSURE TESTING GAS LINE AT TEST PRESSURES ABOVE 1/2 PSIG. CLOSE THE MANUAL SHUT-OFF VALVE BEFORE PRESSURE TESTING GAS LINE AT TEST PRESSURES EQUAL TO OR LESS THAN 1/2 PSIG (35 mb).</b>
<b>USE ONLY WOLF STEEL APPROVED OPTIONAL ACCESSORIES AND REPLACEMENT PARTS WITH THIS APPLIANCE. USING NON-LISTED ACCESSORIES (BLOWERS, DOORS, LOUVRES, TRIMS, GAS COMPONENTS, VENTING COMPONENTS, ETC.) COULD RESULT IN A SAFETY HAZARD AND WILL VOID THE WARRANTY AND CERTIFICATION.</b>

**THIS GAS APPLIANCE SHOULD BE INSTALLED AND SERVICED BY A QUALIFIED INSTALLER** to conform with local codes. Installation practices vary from region to region and it is important to know the specifics that apply to your area, for example in Massachusetts State:

- This product must be installed by a licensed plumber or gas fitter when installed within the commonwealth of Massachusetts.
- The appliance damper must be removed or welded in the open position prior to installation of an appliance insert or gas log.
- The appliance off valve must be a "T" handle gas cock.
- The flexible connector must not be longer than 36 inches (914.4mm).
- A Carbon Monoxide detector is required in all rooms containing gas fired appliances.
- The appliance is not approved for installation in a bedroom or bathroom unless the unit is a direct vent sealed combustion product.

The installation must conform with local codes or, in absence of local codes, the National Gas and Propane Installation Code CSA B149.1 in Canada, or the National Fuel Gas Code, ANSI Z223.1 / NFPA 54 in the United States. Suitable for mobile home installation if installed in accordance with the current standard CAN/CSA Z240MH Series, for gas equipped mobile homes, in Canada or ANSI Z223.1 and NFPA 54 in the United States.

As long as the required clearance to combustibles is maintained, the most desirable and beneficial location for an appliance is in the center of a building, thereby allowing the most efficient use of the heat created. The location of windows, doors and the traffic flow in the room where the appliance is to be located should be considered. If possible, you should choose a location where the vent will pass through the house without cutting a floor or roof joist.

If the appliance is installed directly on carpeting, vinyl tile or other combustible material other than wood flooring, the appliance shall be installed on a metal or wood panel extending the full width and depth.

If the appliance is installed directly on carpeting, vinyl tile or other combustible material other than wood flooring, the appliance shall be installed on a metal or wood panel extending the full width and depth.

Some appliances have optional fans or blowers. If an optional fan or blower is installed, the junction box must be electrically connected and grounded in accordance with local codes, use the current CSA C22.1 Canadian Electrical Code in Canada or the ANSI/NFPA 70 National Electrical code in the United States.



4.1B

## 2.3 GENERAL INFORMATION

**FOR YOUR SATISFACTION, THIS APPLIANCE HAS BEEN TEST-FIRED TO ASSURE ITS OPERATION AND QUALITY!**

LHD50		
	NG	LP
Altitude (FT)	0-4,500	0-4500
Max. Input (BTU/HR)	30,000	30,000
Max. Output (BTU/HR)	24,000	24,000
Efficiency	79%	79%
Min. Inlet Gas Supply Pressure	4.5" wc (11mb)	11" wc (27mb)
Max. Inlet Gas Supply Pressure	7" wc (17mb)	13" wc (32mb)
Manifold Pressure (Under Flow Conditions)	3.5" wc (9mb)	10" wc (25mb)

When the appliance is installed at elevations above 4,500ft (1372m), and in the absence of specific recommendations from the local authority having jurisdiction, the certified high altitude input rating shall be reduced at the rate of 4% for each additional 1,000ft (305m). Expansion / contraction noises during heating up and cooling down cycles are normal and are to be expected. Change in flame appearance from "HI" to "LO" is more evident in natural gas than in propane.

This appliance is approved for bathroom, bedroom and bed-sitting room installations and is certified for mobile home installation.

**This appliance is only for use with the type of gas indicated on the rating plate. This appliance is not convertible for use with other gases, unless a certified kit is used.**

There are two switches that control the function of the appliance. One on the receiver that must be placed in the middle position. The other is on the control module that must be in the "I" position, which denotes on. If these switches aren't in these locations the appliance will not work, see "REMOTE RECEIVER INSTALLATION" and "CONTROL MODULE" section.

**NOTE: The protective wrap on plated parts is best removed when the assembly is at room temperature but this can be improved if the assembly is warmed, using a hair dryer or similar heat source.**

This appliance is equipped with a remote control system, which requires batteries (supplied) to be installed. The transmitter takes 3 "AAA" batteries and in the case of a power failure the receiver takes 4 "AA" batteries.

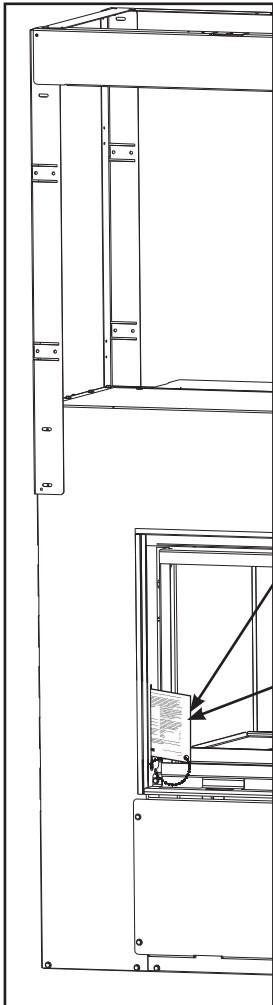
## 2.4 RATING PLATE / LIGHTING INSTRUCTION LOCATION

# WARNING

**ALLOW THE APPLIANCE TO COOL BEFORE PERFORMING ANY MAINTENANCE OR CLEANING.**

Both the rating plate and lighting instructions are attached to a key chain and inserted in a mail slot on the left side of the appliance (access side). It is recommended to remove the door prior to instruction removal. Using your fingers or a tool such as a screw driver or pencil, gently pull both chains toward you. With the chain at the bulb end of the slot, wiggle the rating plate out being careful not to tear the instructions as they pass through the slot.

To replace, slide the instructions and the chain back through the slot and re-attach the door (if removed).



**KEEP BURNER AND CONTROL COMPARTMENT CLEAN.** SEE INSTALLATION AND OPERATING INSTRUCTIONS MANUAL. APPLIANCE NEEDS FRESH AIR FOR SAFE OPERATION AND MUST BE INSTALLED WITH ADEQUATE PROVISIONS FOR COMBUSTION AND VENTILATION AIR.

**WARNING:**  
IMPROPER INSTALLATION, ADJUSTMENT, ALTERATION, SERVICE OR MAINTENANCE CAN CAUSE PROPERTY DAMAGE, PERSONAL INJURY OR LOSS OF LIFE. REFER TO OWNER'S MANUAL. INSTALLATION AND SERVICE MUST BE PERFORMED BY A QUALIFIED INSTALLER, SERVICE AGENCY OR THE GAS SUPPLIER.

**ATTENTION:**  
UN INSTALLATION OU UNE MODIFICATION INAPPROPRIÉE OU RÉGLAGE, DU SERVICE ET DE L'ENTRETIEN POURRAIENT ÊTRE LA CAUSE DE DOMMAGES À LA PROPRIÉTÉ DE BLESSURES CORPORELLES OU MÊME LA MORT. CONSULTER LE MANUEL D'INFORMATION, L'INSTALLATION ET LE SERVICE DOIVENT ÊTRE EXÉCUTÉS PAR UN INSTALLATEUR QUALIFIÉ POUR LE AZ. UNE ENTREPRISE DE SERVICE OU LE FOURNISSEUR DE GAZ DEVRAIT.

**CAUTION:**  
HOT WHILE OPERATING. DO NOT TOUCH. KEEP CHILDREN, CLOTHING, FURNITURE, GASOLINE OR OTHER FLAMMABLE VAPORS AWAY.

**AVERTISSEMENT:**  
L'APPAREIL EST CHAUD PENDANT SON FONCTIONNEMENT. LES ENFANTS, LES VÊTEMENTS, LES MEUBLES, L'ESSENCE ET AUTRES LIQUIDES QUI ÉMETTENT DES GAZ VOLATILS INFLAMMABLES DOIVENT ÊTRE TENUS ÉLOIGNÉS DE L'APPAREIL.

\*This appliance is only for use with the type(s) of gas indicated on the rating plate and may be installed in an aftermarket, permanently located, manufactured home (USA only) or mobile home, where not prohibited by local codes. See owner's manual for details. This appliance is supplied with a conversion kit.

«Cet appareil doit être utilisé uniquement avec les types de gaz indiqués sur la plaque signalétique et peut être installé dans une maison préfabriquée (E.-U. seulement) ou mobile installée à demeure si les règlements locaux le permettent. Voir la notice de l'utilisateur pour plus de renseignements. Une trousse de conversion est fournie avec cet appareil.»

**FOR YOUR SAFETY:**  
DO NOT STORE OR USE GASOLINE OR OTHER FLAMMABLE VAPORS AND LIQUIDS IN VICINITY OF THIS OR ANY OTHER APPLIANCE.

**CAUTION: DO NOT OPERATE THE FIREPLACE WITH THE GLASS REMOVED, CRACKED OR BROKEN. REPLACEMENT OF THE GLASS SHOULD BE DONE BY A LICENSED OR QUALIFIED PERSON.**

**POUR VOTRE SÉCURITÉ:**  
NE PAS ENTREPOSER NI UTILISER D'ESSENCE NI D'AUTRES VAPEURS OU LIQUIDES INFLAMMABLES ANS LE VOISINAGE DE CET APPAREIL OU DE TOUT AUTRE APPAREIL.

**AVERTISSEMENT: NE PAS UTILISER L'APPAREIL SI LE PANNEAU FRONTAL EN VERRE N'EST PAS EN PLACE, EST CRAQUÉ OU BRISÉ. CONFIEZ LE REMPLACEMENT DU PANNEAU À UN TECHNICIEN AGRÉÉ.**

CERTIFIED UNDER / HOMOLOGUÉ SELON LES NORMES: ANSI Z21.50-2009 / CSA 2.22-2009 VENTED GAS FIREPLACE / FOYER À GAZ VENTILE  
VENTED GAS FIREPLACE. APPROVED FOR RETROFIT BATHROOM AND BEDROOM INSTALLATION. SUITABLE FOR MOBILE HOME INSTALLATION IF INSTALLED IN ACCORDANCE WITH THE CURRENT STANDARD CANADA EXEMPT SERIES GAS EQUIPPED HOMES (RESIDENTIAL) IN THE UNITED STATES THE MANUFACTURED HOME CONSTRUCTION AND SAFETY STANDARD TITLE 24 CFR PART 3200. WHEN THIS STANDARD IS NOT APPLICABLE USE THE STANDARD FOR FIRE SAFETY CRITERIA FOR MANUFACTURED HOME INSTALLATIONS, SITES AND COMMUNITIES, ANSI/NFPA 581A. FOYER DE CHAUFFAGE À GAZ À ÉVACUATION. HOMOLOGUÉ POUR INSTALLATION DANS UNE CHAMBRE À COUCHER, UNE SALLE DE BAIN ET UN STUDIO. APPROPRIÉ POUR INSTALLATION DANS UNE MAISON MOBILE C-2509 INSTRUCTIONS POUR UNE MAISON MOBILE CANADA 22009 SÉRIE DE MAISONS MOBILES ÉQUIPÉES AU GAZ. EN VOYAGEUR AU CANADA OU AUPRÈS D'UN DES LA NORME DE SÉCURITÉ ET DE CONSTRUCTION DE MAISONS MANUFACTURÉES, TITRE 24 CFR, SECTION 3200, DANS LE CAS OÙ CE TITRE NORME DÉTAÎLÉS UNS NE PEUT ÊTRE APPLIQUÉE, SE RÉFÉRER À LA NORME DE SÉCURITÉ ET DE CONSTRUCTION DE MAISONS MANUFACTURÉES POUR LES INSTALLATIONS DANS LES MAISONS MANUFACTURÉES, LES SITES ET LES COMMUNITÉS, ANSI/NFPA 581A. CET APPAREIL DOIT ÊTRE ALIMENTÉ EN AIR FRAIS ET AVEC SUFFISANT D'AIR COMBURANT ET DE VENTILATION.

**NOT FOR USE WITH SOLID FUEL FOR USE WITH GLASS DOORS CERTIFIED WITH THIS UNIT ONLY.**  
NE PAS UTILISER DE MATÉRIEL À BRÛLER À SOLIDE NI À PORTES EN VERRE CERTIFIÉ AVEC CETTE UNITÉ.

**WARNING: DO NOT TOUCH MATERIAL TO THE APPLIANCE. SPARKS WILL COME IN CONTACT WITH THE FLAMES, OTHER THAN THOSE DESCRIBED BY THE MANUFACTURER WITH THE APPLIANCE. DO NOT TOUCH MATERIALS TO COMBUSTIBLE MATERIALS.**  
AVERTISSEMENT: NE PAS TOUCHER LE MATÉRIEL DE L'APPAREIL. DES ÉCLAIRS DE FEU POURRAIENT ÊTRE EN CONTACT AVEC LES FLAMMES, AUTRE QUE CELLES QUI SONT DÉCRIVÉES DANS LE MANUEL D'INSTRUCTION DE L'APPAREIL. NE PAS TOUCHER LE MATÉRIEL À DES MATÉRIELS COMBUSTIBLES.

**MODEL NATURAL GAS / GAZ NATURAL MODEL PROPANE / PROPANE MODELE**

LHDS0N  CLHDS0N  CLHDS0P  LHDS0P

INPUT / ALIMENTATION 30,000 BTUH / 8,800 W  
REDUCED INPUT / ALIMENTATION RÉDUITE 20,000 BTUH / 5,800 W  
MINIMUM SUPPLY PRESSURE / PRESSION D'ALIMENTATION MINIMALE 11" WATER COLUMN / DUNE COLONNE D'EAU

ALTITUDE / ÉLEVATION 0-4500 FT (0-1370M)  
20,000 BTUH

11" WATER COLUMN / DUNE COLONNE D'EAU  
13" WATER COLUMN / DUNE COLONNE D'EAU

FLOOR 0" / 0"  
TOP 56.4" / 1433mm  
RECESSED DEPTH ONE SIDE 10.25" / 260mm  
RECESSED DEPTH SEE TECHNICAL DRAWING FOR FINISHING MATERIALS. SEE OWNER'S MANUAL.  
SIDES 0" / 0"  
BACK 0" / 0"  
VENT TOP 2" / 51mm  
VENT SIDES & BOTTOM 2" / 51mm  
VERTICAL VENT 11" / 279mm  
MANTLE 18" / 457mm  
TOP, SIDES & BACK, PER STAND OFF SPACERS FOR FRAMING MATERIALS, FOR FINISHING MATERIALS. SEE OWNER'S MANUAL.  
MAXIMUM HORIZONTAL EXTENSION / L'EXTENSION HORIZONTALE MAXIMALE: 2" / 51mm  
SEE OWNER'S INSTRUCTION MANUAL FOR MINIMUM AND MAXIMUM VENT LENGTHS.

ELECTRICAL RATING: 115V, 60HZ, LESS THAN 12 AMPERES  
WOLF STEEL LTD.  
24 NAPOLEON ROAD, BARRIE, ON, L4M 0G8 CANADA SERIAL NUMBER/NO. DE SÉRIE: LHDS0

UN COMBUSTIBLE SOLIDE NE DOIT PAS ÊTRE UTILISÉ AVEC CET APPAREIL. UTILISER AVEC LES PORTES EN VERRE HOMOLOGUÉES SEULEMENT AVEC CETTE UNITÉ.  
AVERTISSEMENT: N'AJOUTEZ PAS À CET APPAREIL AUCUN MATÉRIEL DE VENTILATION EN CONTACT AVEC LES FLAMMES, AUTRE QUE CELUI QUI EST FOURNI AVEC CET APPAREIL. NE PAS TOUCHER LE MATÉRIEL DE L'APPAREIL. NE PAS TOUCHER LE MATÉRIEL À DES MATÉRIELS COMBUSTIBLES.  
DESSUS 56.4" / 1433mm  
PLANCHER 0" / 0"  
PROFONDEUR DE L'ENCLAVE FACE UNIQUE 10.25" / 260mm  
PROFONDEUR DE L'ENCLAVE BARRIÈRE 13.5" / 343mm  
OSSATURE (MATÉRIEL DE FACADE NON COMPRIS) 0" / 0"  
COTES ARRIÈRE 0" / 0"  
DESSUS DU CONDUIT D'ÉVENT 3" / 76mm  
COTES ET DESSUS DU CONDUIT D'ÉVENT 2" / 51mm  
CONDUIT D'ÉVENT VERTICAL 11" / 279mm  
TABLETTE 18" / 457mm

SPECIFICATIONS ÉLECTRIQUES: 115 V, 60 HZ, MOINS DE 12 AMPÈRES. W385-0448 / F

**INSTALLER:** It is your responsibility to check off the appropriate box on the rating plate according to the model, venting and gas type of the appliance.

This illustration is for reference only. Refer to the rating plate on the appliance for accurate information.

**NOTE:** The rating plate must remain with the appliance at all times. It must not be removed.

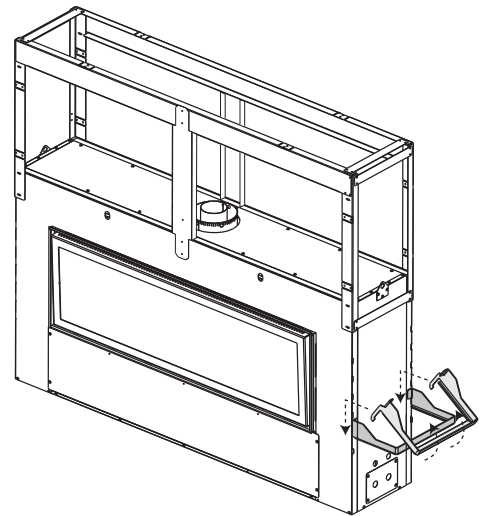


## 2.5 SHIPPING HANDLES

### **IMPORTANT**

This appliance fully dressed weighs 300 lbs.

- A. Lift up and secure the framing kit, see “STEEL STUD FRAMING KIT” section for instructions.
- B. Insert the shipping handles (not supplied) by placing the tabs in the desired slots on both sides of the appliance and lifting upwards to secure in place.
- C. Remove handles once the appliance is in its preferred location. Use shipping brackets to secure base of appliance.



## 3.0 VENTING

### WARNING

**RISK OF FIRE, MAINTAIN SPECIFIED AIR SPACE CLEARANCES TO VENT PIPE AND APPLIANCE.**

**IF VENTING IS INCLUDED WITH SPACERS THE VENT SYSTEM MUST BE SUPPORTED EVERY 3FT (0.9m) FOR BOTH VERTICAL AND HORIZONTAL RUNS. USE SUPPORTS OR EQUIVALENT NON-COMBUSTIBLE STRAPPING TO MAINTAIN THE REQUIRED CLEARANCE FROM COMBUSTIBLES. USE WOLF STEEL LTD. SUPPORT RING ASSEMBLY W010-0370 OR EQUIVALENT NON-COMBUSTIBLE STRAPPING TO MAINTAIN THE MINIMUM CLEARANCE TO COMBUSTIBLES FOR BOTH VERTICAL AND HORIZONTAL RUNS. SPACERS ARE ATTACHED TO THE INNER PIPE AT PREDETERMINED INTERVALS TO MAINTAIN AN EVEN AIR GAP TO THE OUTER PIPE. THIS GAP IS REQUIRED FOR SAFE OPERATION. A SPACER IS REQUIRED AT THE START, MIDDLE AND END OF EACH ELBOW TO ENSURE THIS GAP IS MAINTAINED. THESE SPACERS MUST NOT BE REMOVED.**

**THIS APPLIANCE USES A 5" (127mm) EXHAUST / 8" (203.2mm) AIR INTAKE VENT PIPE SYSTEM. Refer to the section applicable to your installation.**

For safe and proper operation of the appliance follow the venting instruction exactly. Deviation from the minimum vertical vent length can create difficulty in burner start-up and/or carboning. Under extreme vent configurations, allow several minutes (5-15) for the flame to stabilize after ignition. Provide a means for visually checking the vent connection to the appliance after the appliance is installed. Use a firestop, vent pipe shield or attic insulation shield when penetrating interior walls, floor or ceiling.

**NOTE: If for any reason the vent air intake system is disassembled; reinstall per the instructions provided for the initial installation.**

**NOTE: This appliance must be installed with a continuous connection of exhaust and air intake vent pipes. Utilizing alternate constructions such as a chimney as part of the vent system is not permitted.**

7.2C

### 3.1 VENTING LENGTHS AND COMPONENTS FOR DIRECT VENT INSTALLATIONS

Use only Wolf Steel, Simpson Dura-Vent, Selkirk Direct Temp, American Metal Amerivent or Metal-Fab venting components. Minimum and maximum vent lengths, for both horizontal and vertical installations, and air terminal locations for either system are set out in this manual and must be adhered to. For Simpson Dura-Vent, Selkirk Direct Temp, American Metal Amerivent and Metal-Fab follow the installation procedure provided with the venting components.

A starter adaptor must be used with the following vent systems and may be purchased from the corresponding supplier:

PART	5"/8"	SUPPLIER	WEBSITE
Duravent	W175-0170	Wolf Steel	www.duravent.com
Amerivent	5DSC-N2	American Metal	www.americanmetalproducts.com
Direct Temp	5DT-AA	Selkirk	www.selkirkcorp.com
SuperSeal	5DDA	Metal-Fab	www.mtlfab.com

**For Simpson Dura-Vent, Selkirk Direct Temp, American Metal Amerivent and Metal-Fab follow the installation procedure found on the website for your venting supplier.**

For vent systems that provide seals on the inner exhaust flue, only the outer air intake joints must be sealed using a red high temperature silicone (RTV). This same sealant may be used on both the inner exhaust and outer intake vent pipe joints of all other approved vent systems except for the exhaust vent pipe connection to the appliance flue collar which must be sealed using the black high temperature sealant Mill Pac.

When using Wolf Steel venting components, use only approved Wolf Steel rigid / flexible components with the following termination kits: wall terminal kit **GD422R-1**. or 1/12 to 7/12 pitch roof terminal kit **GD410**. 8/12 to 12/12 roof terminal

kit **GD411**, flat roof terminal kit **GD412** or periscope kit **GD401** (for wall penetration below grade). With flexible venting, in conjunction with the various terminations, use either the 5 foot (1.5m) vent kit **GD420** or the 10 foot (3.1m) vent kit **GD430**.

**For optimum flame appearance and appliance performance, keep the vent length and number of elbows to a minimum.**

**The air terminal must remain unobstructed at all times. Examine the air terminal at least once a year to verify that it is unobstructed and undamaged.**

**Rigid and flexible venting systems must not be combined. Different venting manufacturer components must not be combined.**

These vent kits allow for either horizontal or vertical venting of the appliance. The maximum allowable horizontal run is 20 feet (6.1m). The maximum allowable vertical vent length is 40 feet (12.2m). The maximum number of vent connections is two horizontally or three vertically (excluding the appliance and the air terminal connections) when using flexible venting.

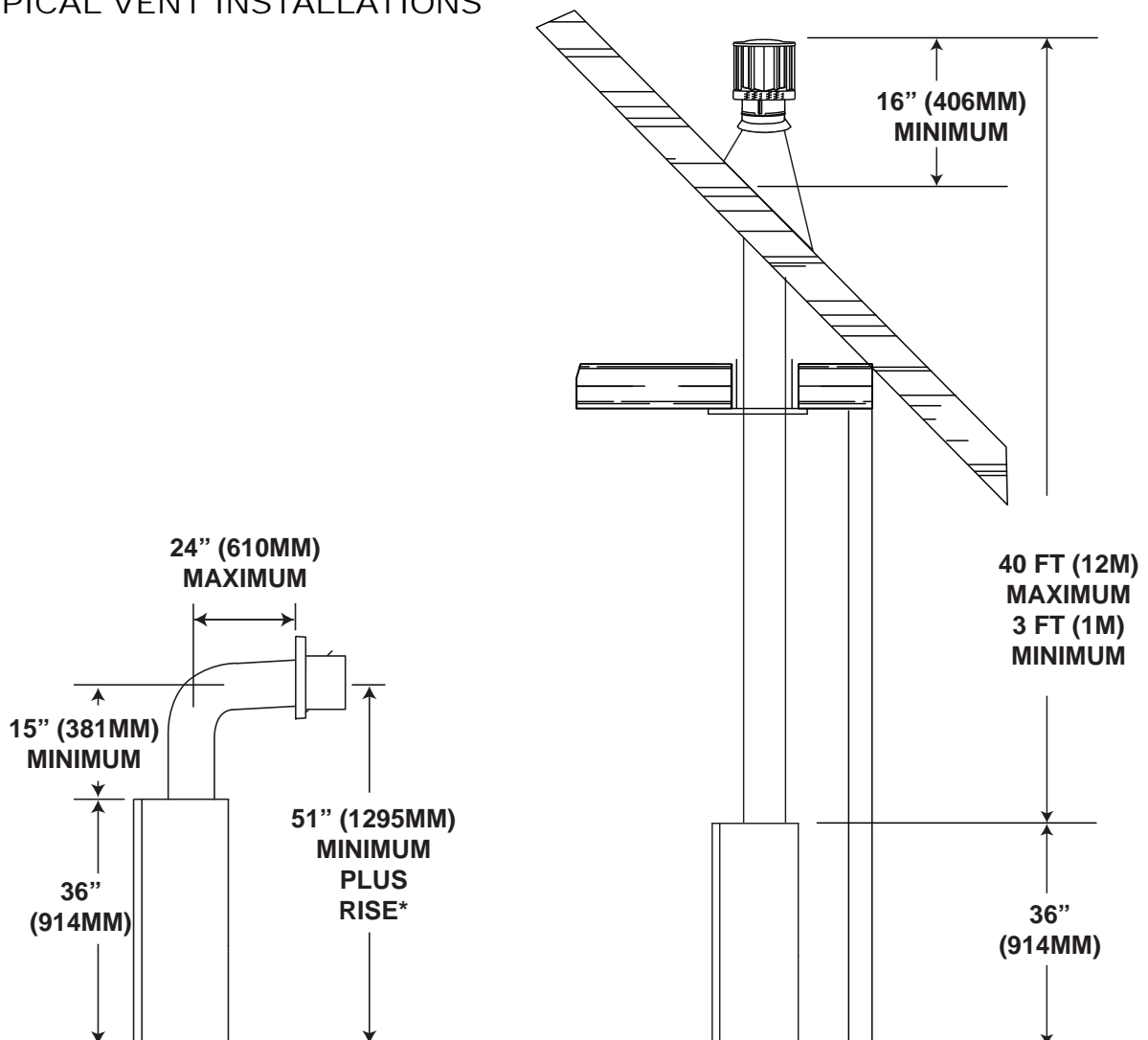
Horizontal runs may have a 0" (0mm) rise per foot/meter however for optimum performance it is recommended that all horizontal runs have a minimum 1/4" (6.4mm) rise per foot/meter using flexible venting. For safe and proper operation of the appliance, follow the venting instructions exactly.

A terminal shall not terminate directly above a sidewalk or paved driveway which is located between two single family dwellings and serves both dwellings. Local codes or regulations may require different clearances.

Do not allow the inside liner to bunch up on horizontal or vertical runs and elbows. Keep it pulled tight. A 1/4" (31.8mm) air gap all around between the inner liner and outer liner is required for safe operation.

8.3\_1A

### 3.2 TYPICAL VENT INSTALLATIONS

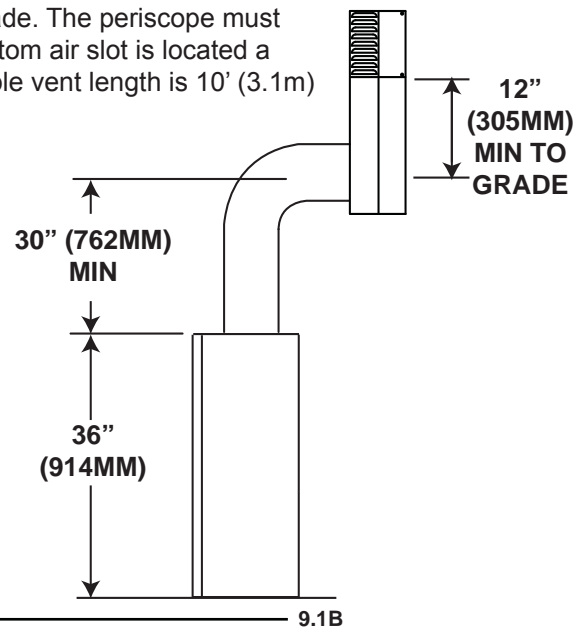


\* See "VENTING" section.

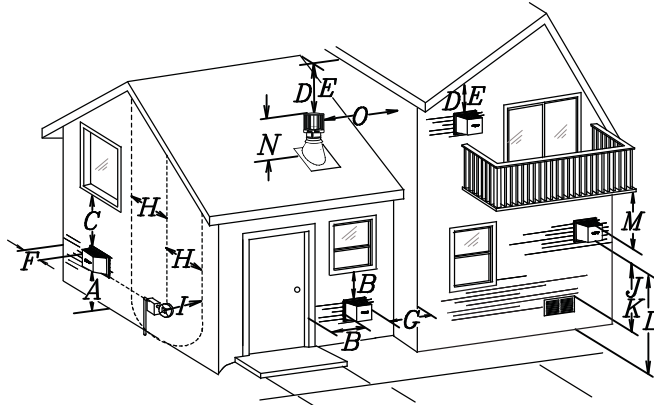
### 3.3 SPECIAL VENT INSTALLATION

#### 3.3.1 PERISCOPE TERMINATION

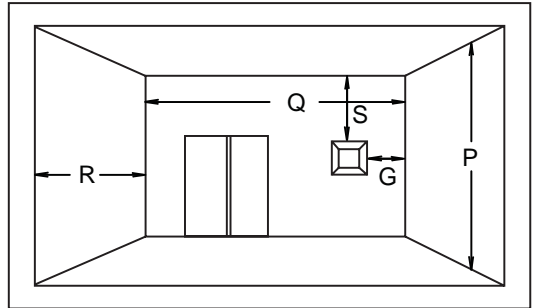
Use the periscope kit to locate the air termination above grade. The periscope must be installed so that when final grading is completed, the bottom air slot is located a minimum 12" (304.8mm) above grade. The maximum allowable vent length is 10' (3.1m) for a fireplace and 8' (2.4m) for a stove.



3.4 MINIMUM AIR TERMINAL LOCATION CLEARANCES



COVERED BALCONY APPLICATIONS ††\*



$Q_{MIN} = 3 \text{ feet (0.9m)}$    
  $R_{MAX} = 2 \times Q_{ACTUAL}$    
  $R_{MAX} \leq 15 \text{ feet (4.6m)}$

EN

	INSTALLATIONS		
	CANADA	U.S.A.	
A	12" (305mm)	12" (305mm)	Clearance above grade, veranda porch, deck or balcony.
B	12" (305mm) <sup>Δ</sup>	9" (229mm) <sup>Δ</sup>	Clearance to windows or doors that open.
C	12" (305mm)*	12" (305mm) *	Clearance to permanently closed windows.
D	18" (457mm)**	18" (457mm)**	Vertical clearance to ventilated soffits located above the terminal within a horizontal distance of 2' (0.6m) from the center line of the terminal.
E	12" (305mm)**	12" (305mm)**	Clearance to unventilated soffit.
F	0" (0mm)	0" (0mm)	Clearance to an outside corner wall.
G	0" (0mm)***	0" (0mm)***	Clearance to an inside <b>non</b> -combustible corner wall or protruding <b>non</b> -combustible obstructions (chimney, etc.).
	2" (51mm)***	2" (51mm)***	Clearance to an inside combustible corner wall or protruding combustible obstructions (vent chase, etc.).
H	3' (0.9m)	3' (0.9m)****	Clearance to each side of the center line extended above the meter / regulator assembly to a maximum vertical distance of 15' (4.6m).
I	3' (0.9m)	3' (0.9m)****	Clearance to a service regulator vent outlet.
J	12" (305mm)	9" (229mm)	Clearance to a non-mechanical air supply inlet to the building or a combustion air inlet to any other appliance.
K	6' (1.8m)	3' (0.9m) †	Clearance to a mechanical air supply inlet.
L	7' (2.1m) ‡	7' (2.1m) ****	Clearance above a paved sidewalk or paved driveway located on public property.
M	12" (305mm)††	12" (305mm)****	Clearance under a veranda, porch or deck.
N	16" (406mm)	16" (406mm)	Clearance above the roof.
O	2' (0.6m)†*	2' (0.6m) †*	Clearance from an adjacent wall including neighbouring buildings.
P	8' (2.4m)	8' (2.4m)	Roof must be <b>non</b> -combustible without openings.
Q	3' (0.9m)	3' (0.9m)	See chart for wider wall dimensions.
R	6' (1.8m)	6' (1.8m)	See chart for deeper wall dimensions. The terminal shall not be installed on any wall that has an opening between the terminal and the open side of the structure.
S	12" (305mm)	12" (305mm)	Clearance under a covered balcony

Δ The terminal shall not be located less than 6 feet under a window that opens on a horizontal plane in a structure with three walls and a roof.

\* Recommended to prevent condensation on windows and thermal breakage

\*\* It is recommended to use a heat shield and to maximize the distance to vinyl clad soffits.

\*\*\* The periscope requires a minimum 18 inches clearance from an inside corner.

\*\*\*\* This is a recommended distance. For additional requirements check local codes.

† 3 feet above if within 10 feet horizontally.

‡ A vent shall not terminate where it may cause hazardous frost or ice accumulations on adjacent property surfaces.

†† Permitted only if the veranda, porch, or deck is fully open on a minimum of two sides beneath the floor.

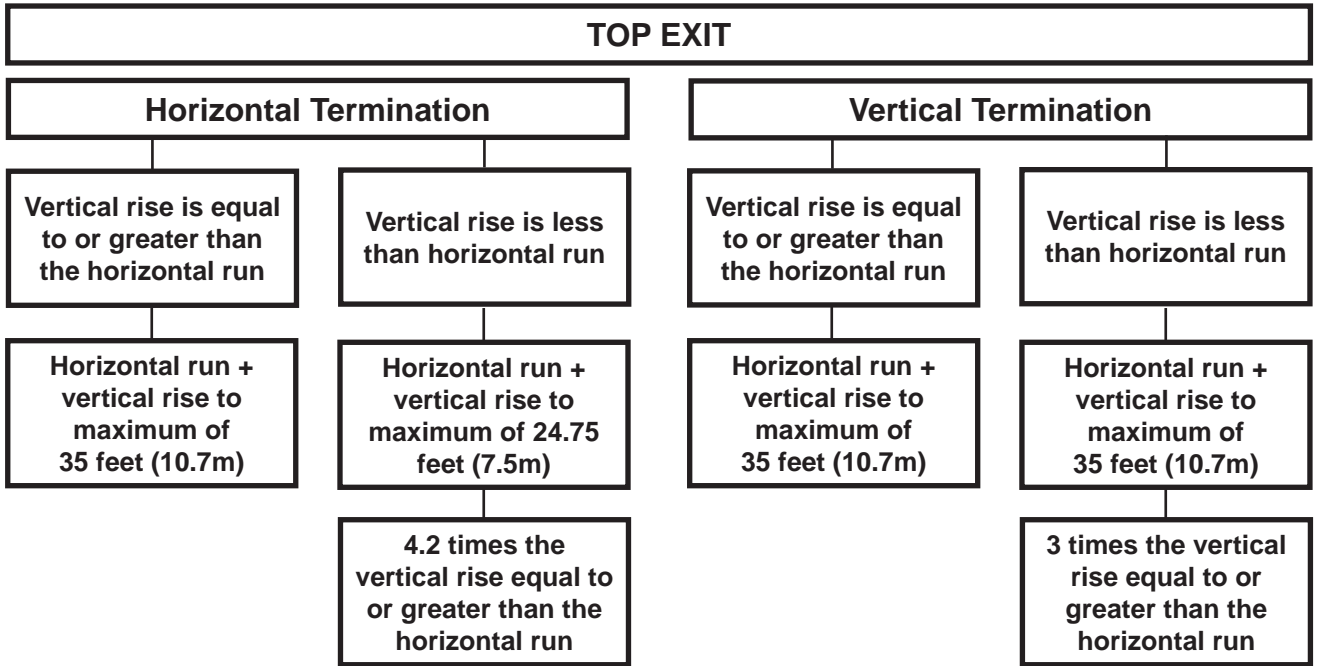
†\* Recommended to prevent recirculation of exhaust products. For additional requirements check local codes.

††\* Permitted only if the balcony is fully open on a minimum of one side.

**NOTE:** Clearances are in accordance with local installation codes and the requirements of the gas supplier.

12.1D

3.5 VENT APPLICATION FLOW CHART



13.3A

3.6 DEFINITIONS

For the following symbols used in the venting calculations and examples are:

- > - greater than
- ≥ - equal to or greater than
- < - less than
- ≤ - equal to or less than
- H<sub>T</sub> - total of both horizontal vent lengths (H<sub>R</sub>) and offsets (H<sub>O</sub>) in feet
- H<sub>R</sub> - combined horizontal vent lengths in feet
- H<sub>O</sub> - offset factor: .03 (total degrees of offset - 90°\*) in feet
- V<sub>T</sub> - combined vertical vent lengths in feet

14.1

3.7 ELBOW VENT LENGTH VALUES

	FEET	INCHES	MILLIMETERS
1°	0.03	0.5	12.7
15°	0.45	6.0	152.4
30°	0.9	11.0	279.4
45°	1.35	16.0	406.4
90°*	2.7	32.0	812.8

\* The first 90° offset has a zero value and is shown in the formula as - 90°

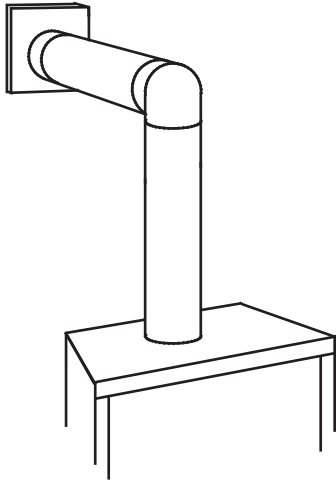
15.1A

3.8 HORIZONTAL TERMINATION

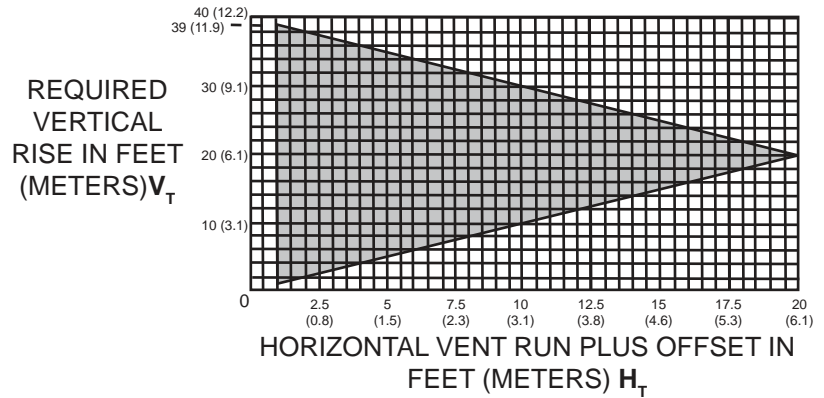
EN

$$(H_T) \leq (V_T)$$

Simple venting configuration (only one 90° elbow)



See graph to determine the required vertical rise  $V_T$  for the required horizontal run  $H_T$



The shaded area within the lines represents acceptable values for  $H_T$  and  $V_T$

For vent configurations requiring more than one 90° elbow, the following formulas apply:

**Formula 1:**  $H_T \leq V_T$

**Formula 2:**  $H_T + V_T \leq 40 \text{ feet (12.2m)}$

**Example:**

$V_1 = 3 \text{ FT (0.9m)}$

$V_2 = 8 \text{ FT (2.4m)}$

$V_T = V_1 + V_2 = 3 \text{ FT (0.9m)} + 8 \text{ FT (2.4m)} = 11 \text{ FT (3.4m)}$

$H_1 = 2.5 \text{ FT (0.8m)}$

$H_2 = 2 \text{ FT (0.6m)}$

$H_R = H_1 + H_2 = 2.5 \text{ FT (0.8m)} + 2 \text{ FT (0.6m)} = 4.5 \text{ FT (1.4m)}$

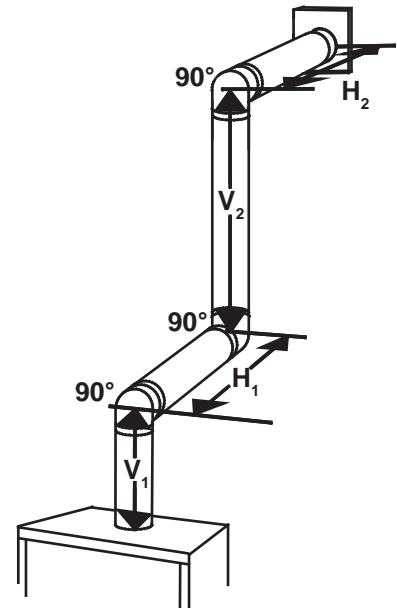
$H_O = .03 \text{ (three } 90^\circ \text{ elbows - } 90^\circ) = .03 \text{ (} 270^\circ - 90^\circ) = 5.4 \text{ FT (1.7m)}$

$H_T = H_R + H_O = 4.5 \text{ FT (1.4m)} + 5.4 \text{ FT (1.6m)} = 9.9 \text{ FT (3m)}$

$H_T + V_T = 9.9 \text{ FT (3m)} + 11 \text{ FT (3.4m)} = 20.9 \text{ FT (6.4m)}$

**Formula 1:**  $H_T \leq V_T$   
 $9.9 \text{ FT (3m)} \leq 11 \text{ FT (3.4m)}$

**Formula 2:**  $H_T + V_T \leq 40 \text{ FT (12.2m)}$   
 $20.9 \text{ FT (6.4m)} \leq 40 \text{ FT (12.2m)}$



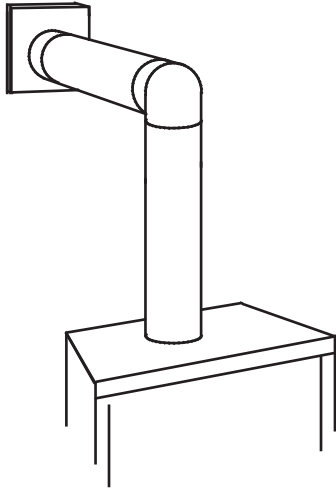
Since both formulas are met, this vent configuration is acceptable.

16.1B

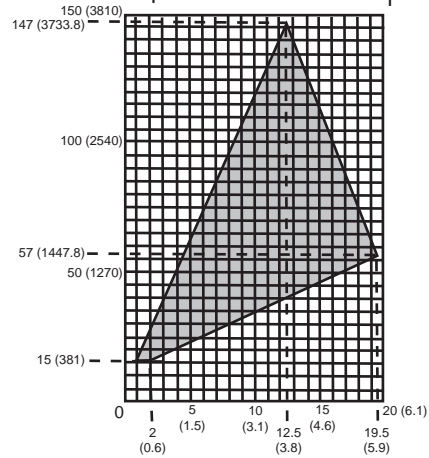
$$(H_T) > (V_T)$$

Simple venting configuration (only one 90° elbow)

See graph to determine the required vertical rise  $V_T$  for the required horizontal run  $H_T$ .



REQUIRED VERTICAL RISE IN INCHES (MILLIMETERS)  $V_T$



HORIZONTAL VENT RUN PLUS OFFSET IN FEET (METERS)  $H_T$   
The shaded area within the lines represents acceptable values for  $H_T$  and  $V_T$

For vent configurations requiring more than one 90° elbow, the following formulas apply:

**Formula 1:**  $H_T \leq 4.2 V_T$

**Formula 2:**  $H_T + V_T \leq 24.75$  feet (7.5m)

**Example:**

$V_1 = V_T = 6$  FT (1.8m)

$H_1 = 3$  FT (0.9m)

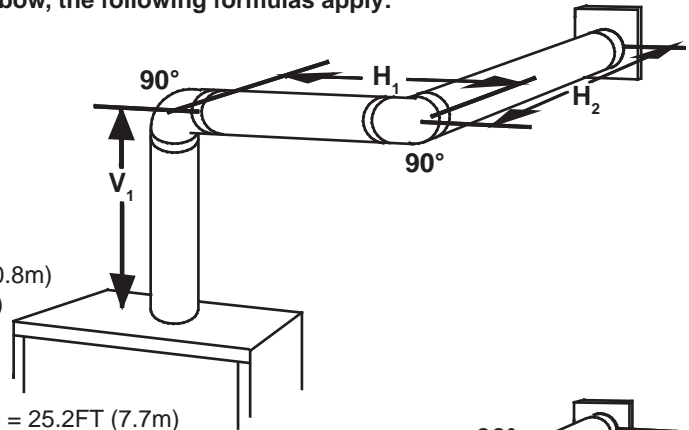
$H_2 = 5$  FT (1.5m)

$H_R = H_1 + H_2 = 3$  FT (0.9m) + 5 FT (1.5m) = 8 FT (2.4m)

$H_O = .03$  (two 90° elbows - 90°) = .03 (180° - 90°) = 2.7 FT (0.8m)

$H_T = H_R + H_O = 8$  FT (2.4m) + 2.7 FT (0.8m) = 10.7 FT (3.3m)

$H_T + V_T = 10.7$  FT (3.3m) + 6 FT (1.8m) = 16.7 FT (5.1m)



**Formula 1:**

$H_T \leq 4.2 V_T$

$4.2 V_T = 4.2$  FT (1.3m) x 6 FT (1.8m) = 25.2 FT (7.7m)

$10.7$  FT (3.3m)  $\leq$  25.2 FT (7.7m)

**Formula 2:**

$H_T + V_T \leq 24.75$  FT (7.5m)

$16.7$  FT (5.1m)  $\leq$  24.75 FT (7.5m)

Since both formulas are met, this vent configuration is acceptable.

**Example:**

$V_1 = 4$  FT (1.2m)

$V_2 = 1.5$  FT (0.5m)

$V_T = V_1 + V_2 = 4$  FT (1.2m) + 1.5 FT (0.5m) = 5.5 FT (1.7m)

$H_1 = 2$  FT (0.6m)

$H_2 = 1$  FT (0.3m)

$H_3 = 1$  FT (0.3m)

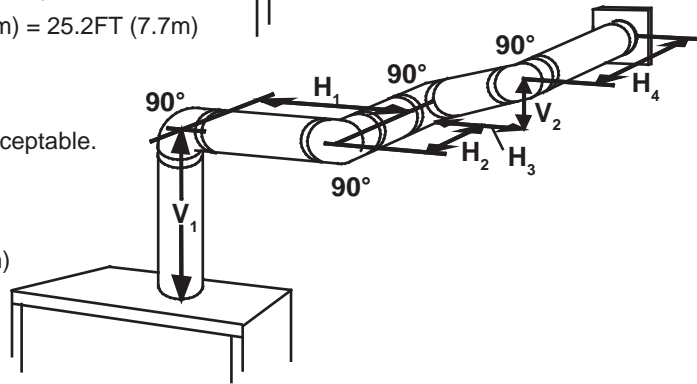
$H_4 = 1.5$  FT (0.5m)

$H_R = H_1 + H_2 + H_3 + H_4 = 2$  FT (0.6m) + 1 FT (0.3m) + 1 FT (0.3m) + 1.5 FT (0.5m) = 5.5 FT (1.7m)

$H_O = .03$  (four 90° elbows - 90°) = .03 (360° - 90°) = 8.1 FT (2.5m)

$H_T = H_R + H_O = 5.5$  FT (1.7m) + 8.1 FT (2.5m) = 13.6 FT (4.2m)

$H_T + V_T = 13.6$  FT (4.2m) + 5.5 FT (1.7m) = 19.1 FT (5.8m)



**Formula 1:**

$H_T \leq 4.2 V_T$

$4.2 V_T = 4.2$  FT (1.3m) x 5.5 FT (1.7m) = 23.1 FT (7m)

$13.6$  FT (4.2m)  $\leq$  23.1 FT (7m)

**Formula 2:**

$H_T + V_T \leq 24.75$  FT (7.5m)

$19.1$  FT (5.8m)  $\leq$  24.75 FT (7.5m)

Since both formulas are met, this vent configuration is acceptable.

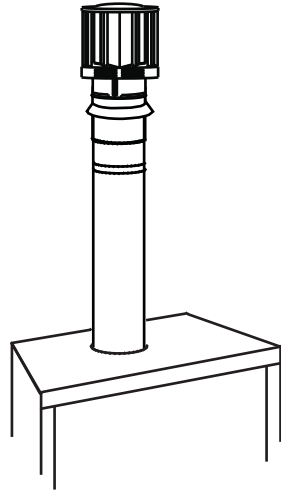


3.9 VERTICAL TERMINATION

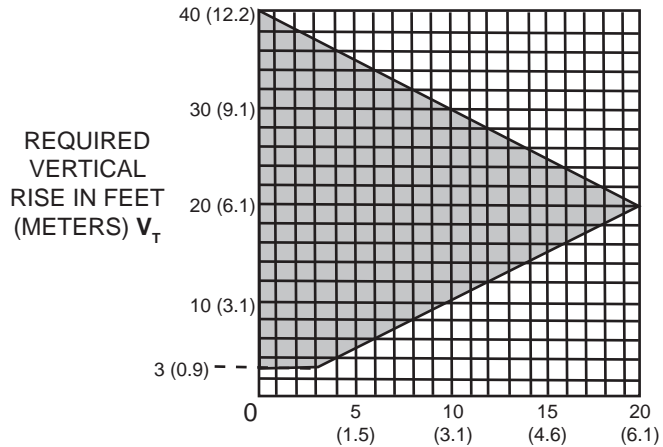
EN

$(H_T) \leq (V_T)$

Simple venting configurations.



See graph to determine the required vertical rise  $V_T$  for the required horizontal run  $H_T$ .



HORIZONTAL VENT RUN PLUS OFFSET IN FEET (METERS)  $H_T$   
The shaded area within the lines represents acceptable values for  $H_T$  and  $V_T$

For vent configurations requiring one or more 90° elbows the following formulas apply:

Formula 1:  $H_T \leq V_T$

Formula 2:  $H_T + V_T \leq 40 \text{ feet (12.2m)}$

Example:

$V_1 = 5 \text{ FT (1.5m)}$

$V_2 = 6 \text{ FT (1.8m)}$

$V_3 = 10 \text{ FT (3.1m)}$

$V_T = V_1 + V_2 + V_3 = 5\text{FT (1.5m)} + 6\text{FT (1.8m)} + 10\text{FT (3.1m)} = 21\text{FT (6.4m)}$

$H_1 = 8 \text{ FT (2.4m)}$

$H_2 = 2.5 \text{ FT (0.8m)}$

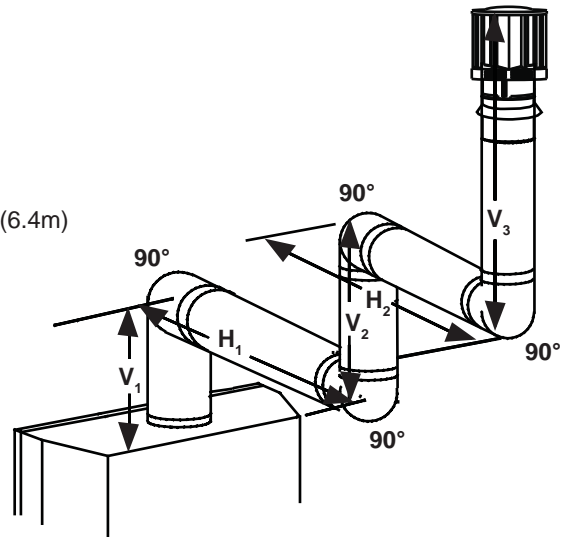
$H_R = H_1 + H_2 = 8\text{FT (2.4m)} + 2.5\text{FT (0.8m)} = 10.5 \text{ FT (3.2m)}$

$H_0 = .03 \text{ (four } 90^\circ \text{ elbows} - 90^\circ)$

$= .03 \text{ (} 360^\circ - 90^\circ) = 8.1 \text{ FT (2.5m)}$

$H_T = H_R + H_0 = 10.5\text{FT (3.2m)} + 8.1\text{FT (2.5m)} = 18.6\text{FT (5.7m)}$

$H_T + V_T = 18.6\text{FT (5.7m)} + 21\text{FT (6.4m)} = 39.6\text{FT (12.1m)}$



Formula 1:  $H_T \leq V_T$   
 $18.6\text{FT (5.7m)} \leq 21\text{FT (6.4m)}$

Formula 2:  $H_T + V_T \leq 40 \text{ FT (12.19m)}$   
 $39.6\text{FT (12.1m)} \leq 40\text{FT (12.2m)}$

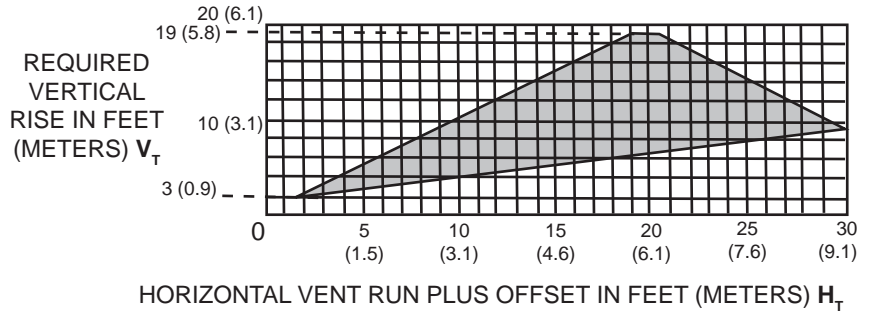
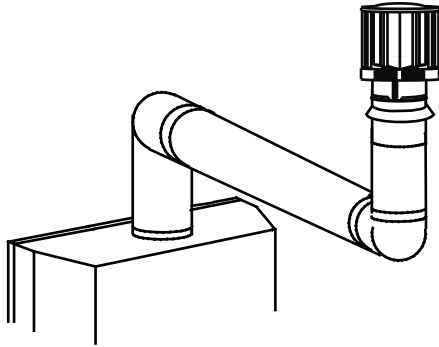
Since both formulas are met, this vent configuration is acceptable.

18.1A

$$(H_T) > (V_T)$$

**Simple venting configurations.**

See graph to determine the required vertical rise  $V_T$  for the required horizontal run  $H_T$ .



HORIZONTAL VENT RUN PLUS OFFSET IN FEET (METERS)  $H_T$

The shaded area within the lines represents acceptable values for  $H_T$  and  $V_T$ .

For vent configurations requiring more than two 90° elbows the following formulas apply:

**Formula 1:**  $H_T \leq 3V_T$

**Formula 2:**  $H_T + V_T \leq 40$  feet (12.2m)

**Example:**

$V_1 = 2$  FT (0.6m)

$V_2 = 1$  FT (0.3m)

$V_3 = 1.5$  FT (0.5m)

$V_T = V_1 + V_2 + V_3 = 2$  FT (0.6m) + 1 FT (0.3m) + 1.5 FT (0.5m) = 4.5 FT (1.4m)

$H_1 = 6$  FT (1.8m)

$H_2 = 2$  FT (0.6m)

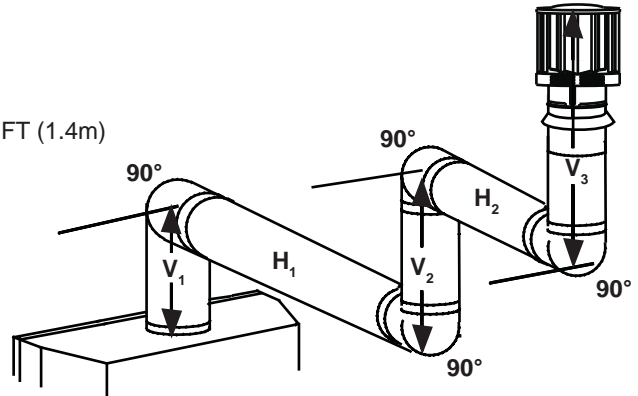
$H_R = H_1 + H_2 = 6$  FT (1.8m) + 2 FT (0.6m) = 8 FT (2.4m)

$H_o = .03$  (four 90° elbows - 90°)

= .03 (360° - 90°) = 8.1 FT (2.5m)

$H_T = H_R + H_o = 8$  FT (2.4m) + 8.1 FT (2.5m) = 16.1 FT (4.9m)

$H_T + V_T = 16.1$  FT (4.9m) + 4.5 FT (1.4m) = 20.6 FT (6.3m)



**Formula 1:**  $H_T \leq 3V_T$   
 $3V_T = 3$  FT (0.9m) x 4.5 FT (1.4m) = 13.5 FT (4.1m)  
 16.1 FT (4.9m) > 13.5 FT (4.1m)

Since this formula is not met, this vent configuration is **unacceptable**.

**Formula 2:**  $H_T + V_T \leq 40$  feet (12.2m)  
 20.6 FT (6.3m) ≤ 40 (12.2m)

Since only formula 2 is met, this vent configuration is unacceptable and a new appliance location or vent configuration will need to be established to satisfy both formulas.

## 4.0 INSTALLATION

<b>! WARNING</b>
<b>ENSURE TO UNPACK ALL LOOSE MATERIALS FROM INSIDE THE FIREBOX PRIOR TO HOOKING UP THE GAS AND ELECTRICAL SUPPLY.</b>
<b>IF YOUR APPLIANCE IS SUPPLIED WITH A REMOTE ENSURE THE REMOTE RECEIVER IS IN THE “OFF” POSITION PRIOR TO HOOKING UP THE GAS AND ELECTRICAL SUPPLY TO THE APPLIANCE.</b>
<b>FOR SAFE AND PROPER OPERATION OF THE APPLIANCE, FOLLOW THE VENTING INSTRUCTIONS EXACTLY.</b>
<b>ALL INNER EXHAUST AND OUTER INTAKE VENT PIPE JOINTS MAY BE SEALED USING EITHER RED RTV HIGH TEMP SILICONE SEALANT W573-0002 (NOT SUPPLIED) OR BLACK HIGH TEMP MILL PAC W573-0007 (NOT SUPPLIED) WITH THE EXCEPTION OF THE APPLIANCE EXHAUST FLUE COLLAR WHICH MUST BE SEALED USING MILL PAC.</b>
<b>IF USING PIPE CLAMPS TO CONNECT VENT COMPONENTS, 3 SCREWS MUST ALSO BE USED TO ENSURE THE CONNECTION CANNOT SLIP OFF.</b>
<b>DO NOT CLAMP THE FLEXIBLE VENT PIPE.</b>
<b>RISK OF FIRE, EXPLOSION OR ASPHYXIATION. IMPROPER SUPPORT OF THE ENTIRE VENTING SYSTEM MAY ALLOW VENT TO SAG AND SEPARATE. USE VENT RUN SUPPORTS AND CONNECT VENT SECTIONS PER INSTALLATION INSTRUCTIONS.</b>
<b>RISK OF FIRE, DO NOT ALLOW LOOSE MATERIALS OR INSULATION TO TOUCH THE VENT PIPE. REMOVE INSULATION TO ALLOW FOR THE INSTALLATION OF THE ATTIC SHIELD AND TO MAINTAIN CLEARANCES TO COMBUSTIBLES.</b>

68.2B

### 4.1 WALL AND CEILING PROTECTION

<b>! WARNING</b>
<b>DO NOT FILL THE SPACE BETWEEN THE VENT PIPE AND ENCLOSURE WITH ANY TYPE OF MATERIAL. DO NOT PACK INSULATION OR COMBUSTIBLES BETWEEN CEILING FIRESTOPS. ALWAYS MAINTAIN SPECIFIED CLEARANCES AROUND VENTING AND FIRESTOP SYSTEMS. INSTALL WALL SHIELDS AND FIRESTOPS AS SPECIFIED. FAILURE TO KEEP INSULATION OR OTHER MATERIALS AWAY FROM VENT PIPE MAY CAUSE FIRE.</b>

For optimum performance it is recommended that all horizontal runs have a minimum of <sup>70.1</sup>1/4" (6mm) rise per foot using flexible venting. For safe and proper operation of the appliance, follow the venting instructions exactly.

## 4.1.1 HORIZONTAL INSTALLATION

**! WARNING**

**THE FIRESTOP ASSEMBLY MUST BE INSTALLED WITH THE VENT SHIELD TO THE TOP.**

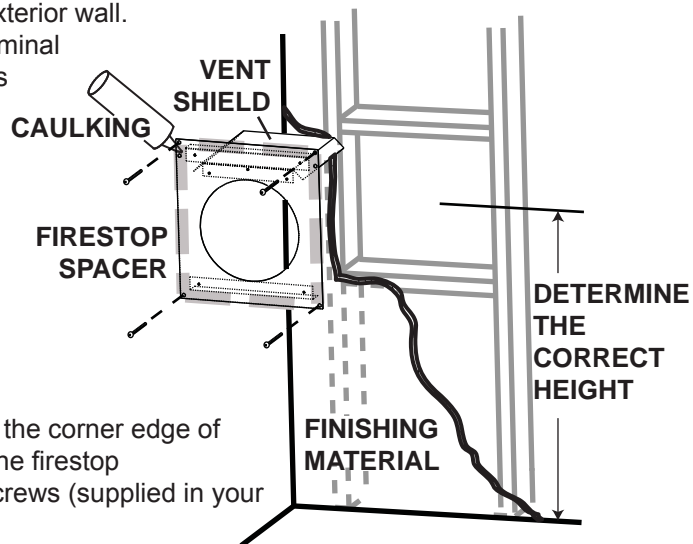
**TERMINALS MUST NOT BE RECESSED INTO A WALL OR SIDING MORE THAN THE DEPTH OF THE RETURN FLANGE OF THE MOUNTING PLATE.**

This application occurs when venting through an exterior wall.

Having determined the correct height for the air terminal location, cut and frame a hole in the exterior wall as illustrated to accommodate the firestop assembly. Dry fit the firestop assembly before proceeding to ensure the brackets on the rear surface fit to the inside surface of the horizontal framing.

The length of the vent shield may be cut shorter for combustible walls that are less than 8 1/2" (215.9mm) thick but the vent shield must extend the full depth of the combustible wall.

- A. Apply a bead of caulking (not supplied) around the corner edge of the inside surface of the firestop assembly, fit the firestop assembly to the hole and secure using the 4 screws (supplied in your manual baggie).
- B. Once the vent pipe is installed in its final position, apply high temperature sealant W573-0007 (not supplied) between the pipe and the firestop.

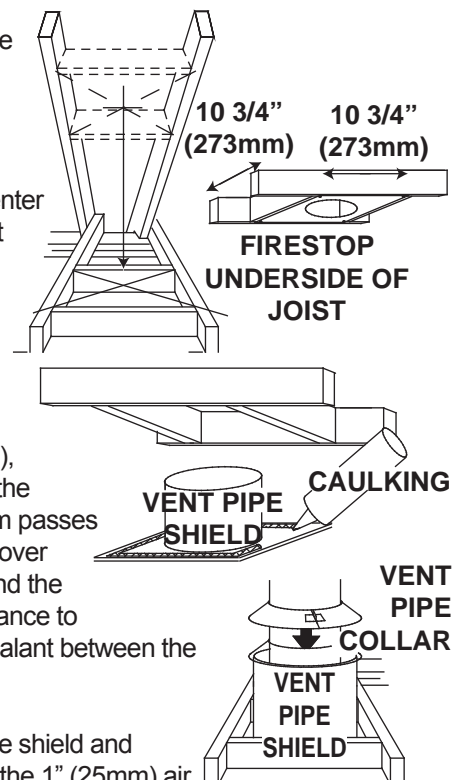


20.2A

## 4.1.2 VERTICAL INSTALLATION

This application occurs when venting through a roof. Installation kits for various roof pitches are available from your authorized dealer / distributor. See accessories to order specific kits required.

- A. Determine the air terminal location, cut and frame a square opening as illustrated in the ceiling and the roof to provide the minimum 1" (25mm) clearance between the vent pipe and any combustible material. Try to center the vent pipe location midway between two joists to prevent having to cut them. Use a plumb bob to line up the center of the openings. A vent pipe shield will prevent any materials such as insulation, from filling up the 1" (25mm) air space around the pipe. Nail headers between the joist for extra support.
- B. Apply a bead of caulking (not supplied) to the framework or to the Wolf Steel vent pipe shield plate or equivalent (in the case of a finished ceiling), and secure over the opening in the ceiling. A firestop must be placed on the bottom of each framed opening in a roof or ceiling that the venting system passes through. Apply a bead of caulking all around and place a firestop spacer over the vent shield to restrict cold air from being drawn into the room or around the fireplace. Ensure that both spacer and shield maintain the required clearance to combustibles. Once the vent pipe is installed in its final position, apply sealant between the pipe and the firestop assembly.
- C. In the attic, slide the vent pipe collar down to cover up the open end of the shield and tighten. This will prevent any materials, such as insulation, from filling up the 1" (25mm) air space around the pipe.



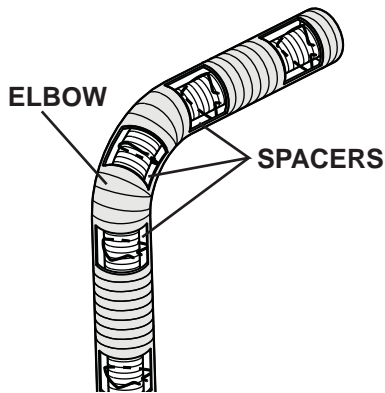
21.1

## 4.2 USING FLEXIBLE VENT COMPONENTS

**! WARNING**

**DO NOT ALLOW THE INNER FLEX PIPE TO BUNCH UP ON HORIZONTAL OR VERTICAL RUNS AND ELBOWS. KEEP IT PULLED TIGHT.**

**SPACERS ARE ATTACHED TO THE INNER FLEX PIPE AT PREDETERMINED INTERVALS TO MAINTAIN AN EVEN AIR GAP TO THE OUTER FLEX PIPE. THIS GAP IS REQUIRED FOR SAFE OPERATION. A SPACER IS REQUIRED AT THE START, MIDDLE AND END OF EACH ELBOW TO ENSURE THIS GAP IS MAINTAINED. THESE SPACERS MUST NOT BE REMOVED.**



For safe and proper operation of the appliance, follow the venting instructions exactly.

All inner flex pipe and outer flex pipe joints may be sealed using high temperature sealant W573-0002 (not supplied) or the high temperature sealant W573-0007 Mill Pac (not supplied). However, the high temperature sealant W573-0007 Mill Pac (not supplied) must be used on the joint connecting the inner flex pipe and the exhaust flue collar.

**Use only approved flexible vent pipe kits marked:**

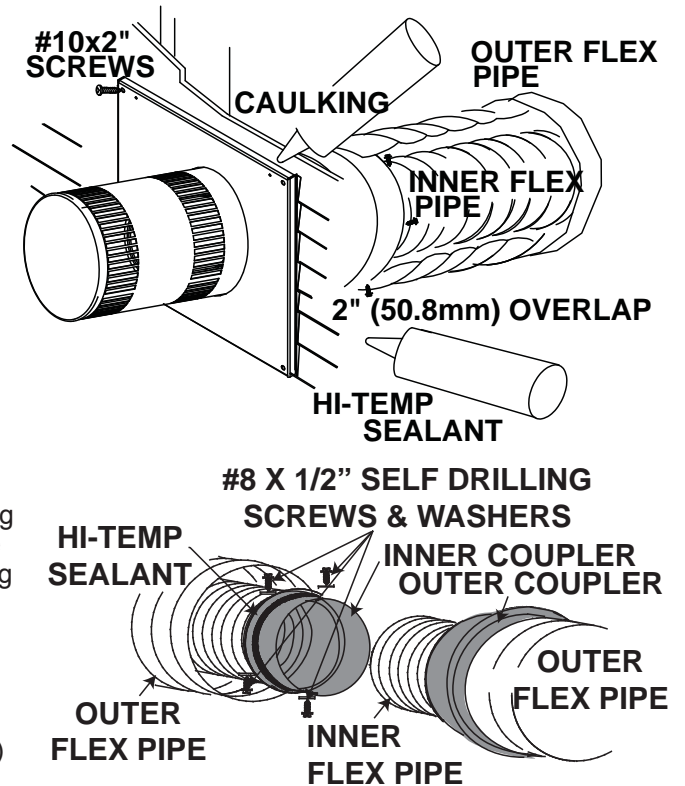


**“Wolf Steel Approved Venting” as identified by the stamp only on the outer flex pipe.**

22.1

## 4.2.1 HORIZONTAL AIR TERMINAL INSTALLATION

- A.** Stretch the inner flex pipe to the required length needed for the finished wall surface. Apply a heavy bead of high temperature sealant W573-0007 Mill Pac (not supplied) to the inner sleeve of the air terminal. Slip the vent pipe a minimum of 2" (50.8mm) over the inner sleeve of the air terminal and secure with 3 #8 screws.
- B.** Using the outer flex pipe, slide over the outer combustion air sleeve of the air terminal and secure with 3 #8 screws. Seal using high temperature sealant W573-0002 (not supplied).
- C.** Insert the vent pipes through the firestop maintaining the required clearance to combustibles. Holding the air terminal (lettering in an upright, readable position), secure to the exterior wall and make weather tight by sealing with caulking (not supplied).
- D.** If more vent pipe needs to be used to reach the fireplace, couple them together as illustrated. The vent system must be supported approximately every 3 feet (0.9mm) for both vertical and horizontal runs. Use noncombustible strapping to maintain the minimum 1" (25.4mm) clearance to combustibles.



The air terminal mounting plate may be recessed into the exterior wall or siding no greater than the depth of its return flange.

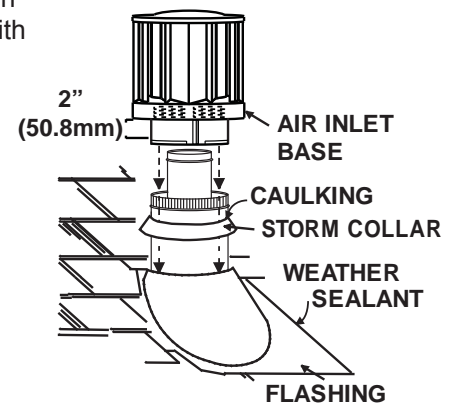
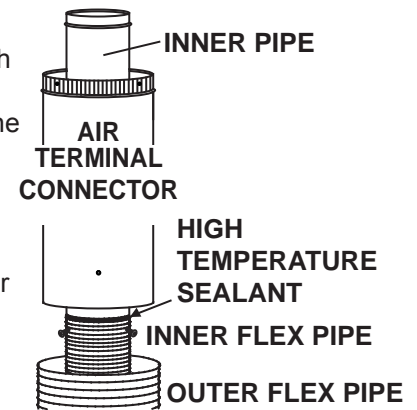
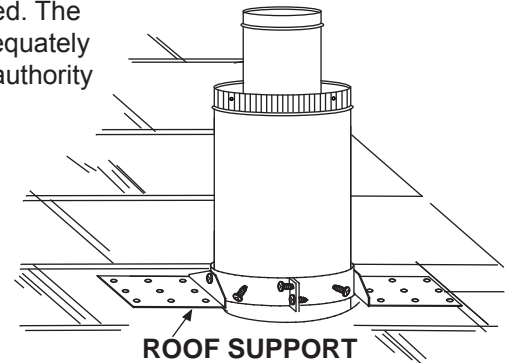
23.3B

## 4.2.2 VERTICAL AIR TERMINAL INSTALLATION

EN

**! WARNING****MAINTAIN A MINIMUM 2" (50.8mm) SPACE BETWEEN THE AIR INLET BASE AND THE STORM COLLAR.**

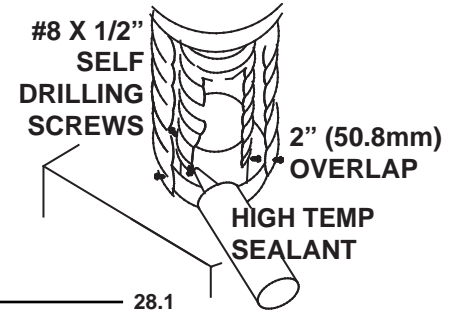
- A.** Fasten the roof support to the roof using the screws provided. The roof support is optional. In this case the venting is to be adequately supported using either an alternate method suitable to the authority having jurisdiction or the optional roof support.
- B.** Stretch the inner flex pipe to the required length. Slip the inner flex pipe a minimum of 2" (51mm) over the inner pipe of the air terminal connector and secure with 3 #8 screws. Seal using a heavy bead of high temperature sealant W573-0007 (not supplied).
- C.** Repeat using the outer flex pipe, using a heavy bead of high temperature sealant W573-0002 (not supplied).
- D.** Thread the air terminal connector / vent pipe assembly down through the roof. The air terminal must be positioned vertically and plumb. Attach the air terminal connector to the roof support, ensuring that the top of the air terminal is 16" (406mm) above the highest point that it penetrates the roof.
- E.** Remove nails from the shingles, above and to the sides of the air terminal connector. Place the flashing over the air terminal connector leaving a min. 3/4" (19mm) of the air terminal connector showing above the top of the flashing. Slide the flashing underneath the sides and upper edge of the shingles. Ensure that the air terminal connector is properly centred within the flashing, giving a 3/4" (19mm) margin all around. Fasten to the roof. Do not nail through the lower portion of the flashing. Make weather-tight by sealing with caulking. Where possible, cover the sides and top edges of the flashing with roofing material.
- F.** Aligning the seams of the terminal and air terminal connector, place the terminal over the air terminal connector making sure the vent pipe goes into the hole in the terminal. Secure with the three screws provided.
- G.** Apply a heavy bead of weatherproof caulking 2" (51mm) above the flashing. Install the storm collar around the air terminal and slide down to the caulking. Tighten to ensure that a weather-tight seal between the air terminal and the collar is achieved.
- H.** If more vent pipe needs to be used to reach the appliance see "HORIZONTAL AIR TERMINAL INSTALLATION" section.



24.1A

### 4.2.3 APPLIANCE VENT CONNECTION

- A. Install the inner flex pipe to the appliance. Secure with 3 screws and flat washers. Seal the joint and screw holes using the high temperature sealant W573-0007 (not supplied).
- B. Install the outer flex pipe to the appliance. Attach and seal the joints using the high temperature sealant W573-0002 (not supplied).



28.1

### 4.3 MOBILE HOME INSTALLATION

This appliance is also certified to be installed as an OEM (Original Equipment Manufacturer) installation in a manufactured home (U.S. only) or mobile home and must be installed in accordance with the manufacturer's instructions and the Manufactured Home Construction and Safety Standard, Title 24 CFR, Part 3280, in the United States or the Mobile Home Standard, CAN/CSA Z240 MH Series, in Canada. This appliance is only for use with the type(s) of gas indicated on the rating plate.

This Mobile/Manufactured Home Listed appliance comes factory equipped with a means to secure the unit. Built in appliances are equipped with 1/4" (6.4mm) diameter holes located in the front left and right corners of the base. Use #10 hex head screws, inserted through the holes in the base to secure. For free standing products contact your local authorized dealer / distributor for the appropriate securing kit. For mobile home installations, the appliance must be fastened in place. It is recommended that the appliance be secured in all installations. Always turn off the pilot and the fuel supply at the source, prior to moving the mobile home. After moving the mobile home and prior to lighting the appliance, ensure that the logs are positioned correctly.

This appliance is certified to be installed in an aftermarket permanently located, manufactured (mobile) home, where not prohibited by local codes.

This appliance is only for use with the type of gas indicated on the rating plate. This appliance is not convertible for use with other gases, unless a certified kit is used.

A conversion kit is supplied with the mobile home appliance.

#### Conversion Kits

This appliance is field convertible between Natural Gas (NG) and Propane (LP).

To convert from one gas to another consult your Authorized dealer/distributor.

29.1A



## 4.4 GAS INSTALLATION

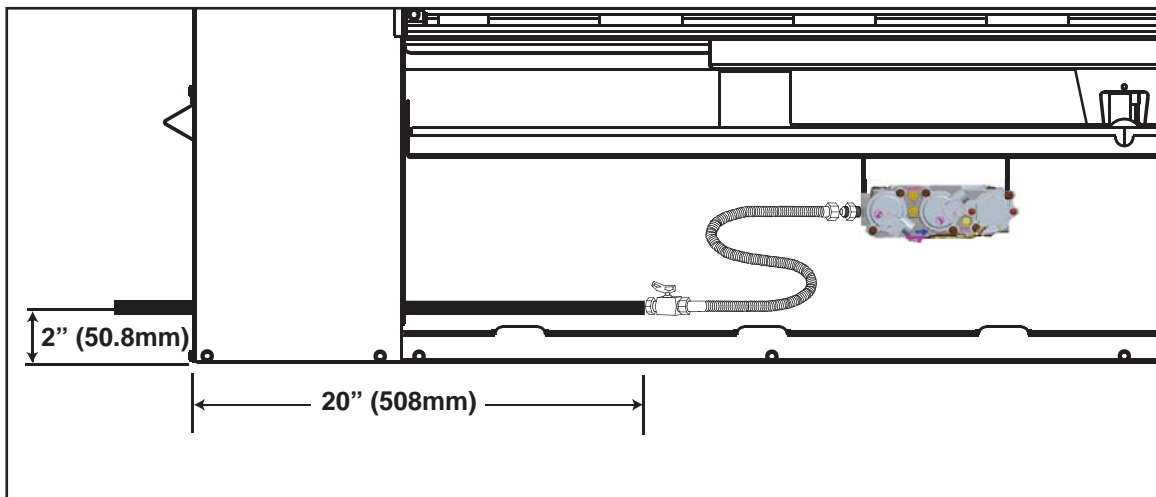
EN

<b>! WARNING</b>
<b>RISK OF FIRE, EXPLOSION OR ASPHYXIATION. ENSURE THERE ARE NO IGNITION SOURCES SUCH AS SPARKS OR OPEN FLAMES.</b>
<b>SUPPORT GAS CONTROL WHEN ATTACHING GAS SUPPLY PIPE TO PREVENT DAMAGING GAS LINE.</b>
<b>ALWAYS LIGHT THE PILOT WHETHER FOR THE FIRST TIME OR IF THE GAS SUPPLY HAS RUN OUT WITH THE GLASS DOOR OPENED OR REMOVED. PURGING OF THE GAS SUPPLY LINE SHOULD BE PERFORMED BY A QUALIFIED SERVICE TECHNICIAN. ASSURE THAT A CONTINUOUS GAS FLOW IS AT THE BURNER BEFORE CLOSING THE DOOR. ENSURE ADEQUATE VENTILATION. FOR GAS AND ELECTRICAL LOCATIONS, SEE "DIMENSION" SECTION.</b>
<b>ALL GAS CONNECTIONS MUST BE CONTAINED WITHIN THE APPLIANCE WHEN COMPLETE.</b>
<b>HIGH PRESSURE WILL DAMAGE VALVE. DISCONNECT GAS SUPPLY PIPING BEFORE TESTING GAS LINE AT TEST PRESSURES ABOVE 1/2 PSIG.</b>
<b>VALVE SETTINGS HAVE BEEN FACTORY SET, DO NOT CHANGE.</b>

Installation and servicing to be done by a qualified installer. **Do not use open flame.**

- Move the appliance into position and secure.
- If equipped with a flex connector the appliance is designed to accept a 1/2" (12.7mm) gas supply. Without the connector it is designed to accept a 3/8" (9.5mm) gas supply. The appliance is equipped with a manual shut off valve to turn off the gas supply to the appliance.
- Connect the gas supply in accordance to local codes. In the absence of local codes, install to the current CAN/CSA-B149.1 Installation Code in Canada or to the current National Fuel Gas Code, ANSI Z223.1 / NFPA 54 in the United States.
- When flexing any gas line, support the gas valve so that the lines are not bent or kinked.
- Check for gas leaks by brushing on a soap and water solution.


30.1



**NOTE:** Connect the gas supply to the 1/2" (13mm) shut off and flex connector (supplied). Ensure gas supply is secured.

## 5.0 FRAMING

EN

 <b>WARNING</b>
<b>RISK OF FIRE!</b>
<b>IN ORDER TO AVOID THE POSSIBILITY OF EXPOSED INSULATION OR VAPOUR BARRIER COMING IN CONTACT WITH THE APPLIANCE BODY, IT IS RECOMMENDED THAT THE WALLS OF THE APPLIANCE ENCLOSURE BE "FINISHED" (IE: DRYWALL / SHEETROCK), AS YOU WOULD FINISH ANY OTHER OUTSIDE WALL OF A HOME. THIS WILL ENSURE THAT CLEARANCE TO COMBUSTIBLES IS MAINTAINED WITHIN THE CAVITY.</b>
<b>DO NOT NOTCH THE FRAMING AROUND THE APPLIANCE STAND-OFFS. FAILURE TO MAINTAIN AIR SPACE CLEARANCE MAY CAUSE OVER HEATING AND FIRE. PREVENT CONTACT WITH SAGGING OR LOOSE INSULATION OR FRAMING AND OTHER COMBUSTIBLE MATERIALS. BLOCK OPENING INTO THE CHASE TO PREVENT ENTRY OF BLOWN-IN INSULATION. MAKE SURE INSULATION AND OTHER MATERIALS ARE SECURED.</b>
<b>WHEN CONSTRUCTING THE ENCLOSURE ALLOW FOR FINISHING MATERIAL THICKNESS TO MAINTAIN CLEARANCES. FRAMING OR FINISHING MATERIAL CLOSER THAN THE MINIMUMS LISTED MUST BE CONSTRUCTED ENTIRELY OF NON-COMBUSTIBLE MATERIALS. MATERIALS CONSISTING ENTIRELY OF STEEL, IRON, BRICK, TILE, CONCRETE, SLATE, GLASS OR PLASTERS, OR ANY COMBINATION THEREOF ARE SUITABLE. MATERIALS THAT ARE REPORTED AS PASSING ASTM E 136, STANDARD TEST METHOD FOR BEHAVIOUR OF MATERIALS IN A VERTICAL TUBE FURNACE AT 750°C/1382°F AND UL763 SHALL BE CONSIDERED NON-COMBUSTIBLE MATERIALS.</b>
<b>MINIMUM CLEARANCE TO COMBUSTIBLES MUST BE MAINTAINED OR A SERIOUS FIRE HAZARD COULD RESULT.</b>
<b>THE APPLIANCE REQUIRES A MINIMUM ENCLOSURE HEIGHT. MEASURE FROM THE APPLIANCE BASE.</b>
<b>IF STEEL STUD FRAMING KITS WITH CEMENT BOARD ARE PROVIDED, THEY MUST BE INSTALLED.</b>

71.1

The LHD50 is installed into a rectangular opening. It is best to frame your appliance after it is positioned and the vent system is installed. Use the steel stud frame provided.

**Maintain these minimum clearances to combustibles from appliance and vent surfaces:**

**Appliance framing:**

Use steel stud framing provided.

**Non- Combustible Appliance finishing:**

- Front - 9" (229mm) to sides of appliance opening
- 32" (813mm) above appliance opening

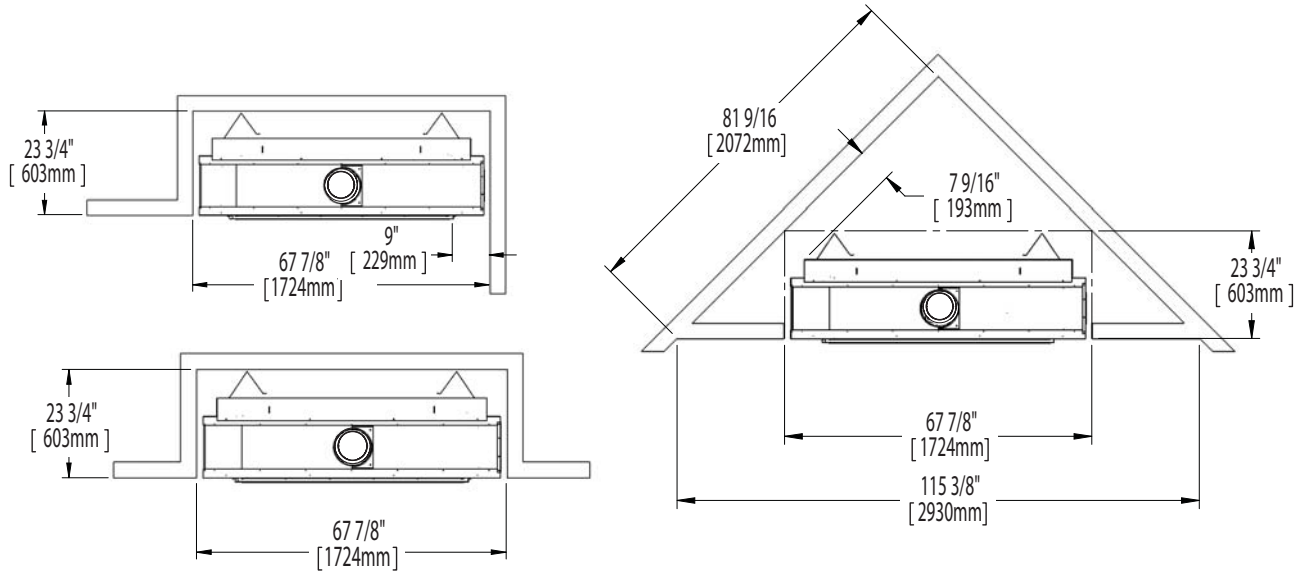
**Combustible Appliance finishing:**

- 60" (1524mm) from bottom of appliance to enclosure top
- 3" (76mm) to top of vent pipe\*
- 2" (51mm) to sides and bottom of vent pipe\*

Non-combustible finishing material (ie. cement board, brick, stone, tile) must be used to finish the front of the appliance.

**\*HORIZONTAL VENT SECTIONS:** A minimum clearance of 3" (76mm) to the top and 2" (51mm) to the sides and bottom of the vent pipe on all horizontal runs to combustibles is required. Horizontal vent sections within enclosures require a minimum clearance of 6" (152mm) at the top of the vent pipe, see "MINIMUM CLEARANCE TO COMBUSTIBLE ENCLOSURES" section. Use firestop spacer W010-2107 (supplied).

**\*VERTICAL VENT SECTIONS:** A minimum of 1" (25mm) all around the vent pipe on all vertical runs to combustibles is required except for clearances in appliance enclosures. Vertical vent sections within enclosures require a minimum clearance of 2" (51mm) around the vent pipe. Use firestop spacer W500-0028 (not supplied).

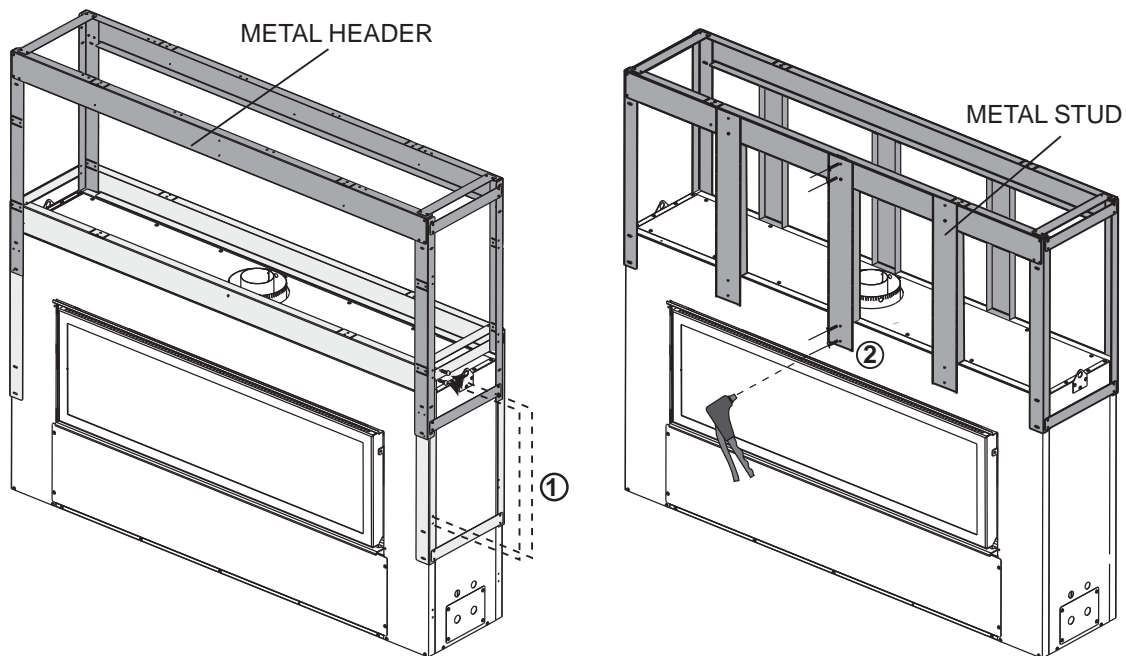


## 5.1 TWO SIDED APPLIANCE

**WARNING****EDGES ARE SHARP, ALWAYS WEAR GLOVES WHEN WORKING WITH SHEET METAL.**

- A. Lift the frame up and secure with the screws just removed.
- B. Erect the steel frame supplied as illustrated and rivet into place.

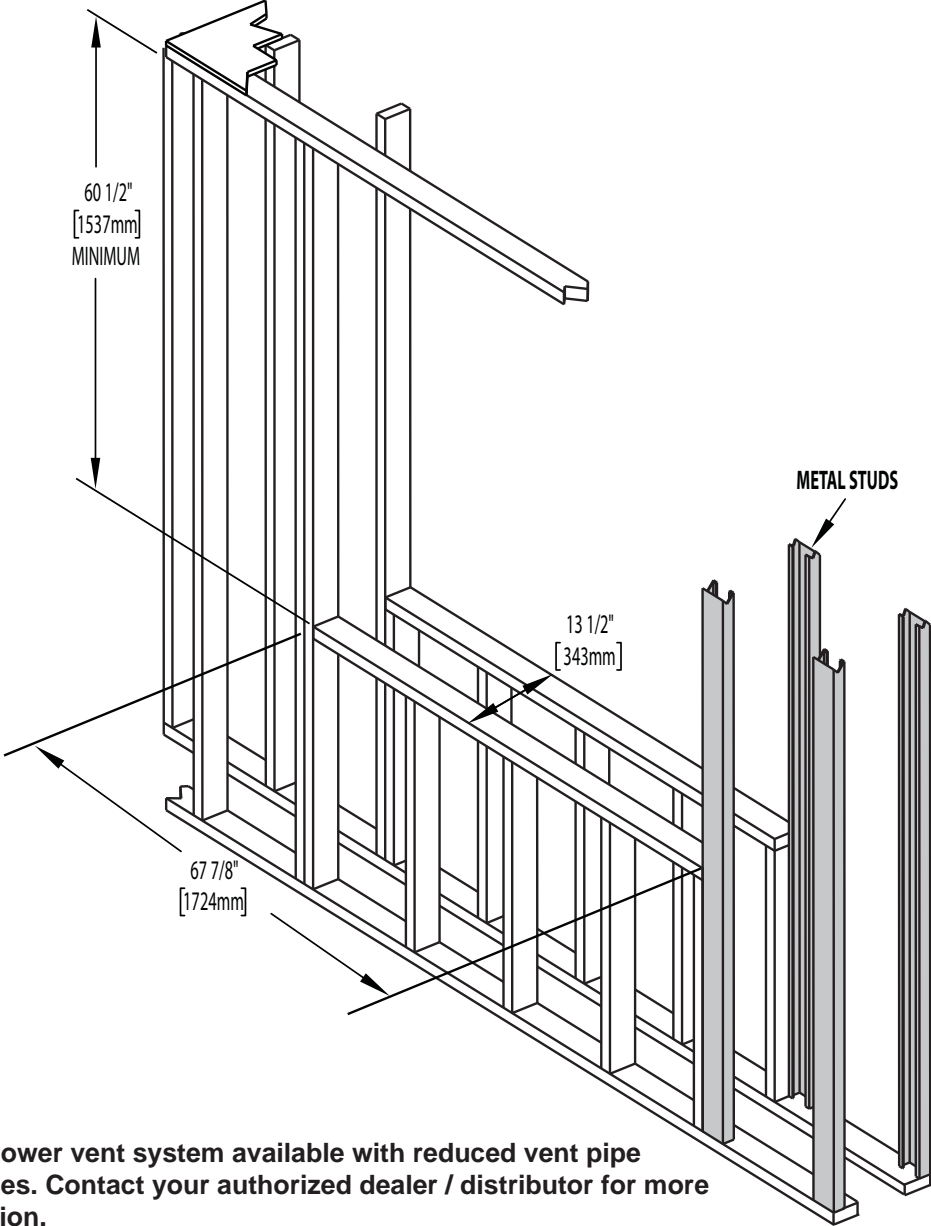
**NOTE:** For heavier finishing materials such as marble, we recommend adding extra support to the frame. Rivet metal studs in place. Ensure there is adequate floor support for the appliance and finishing material.



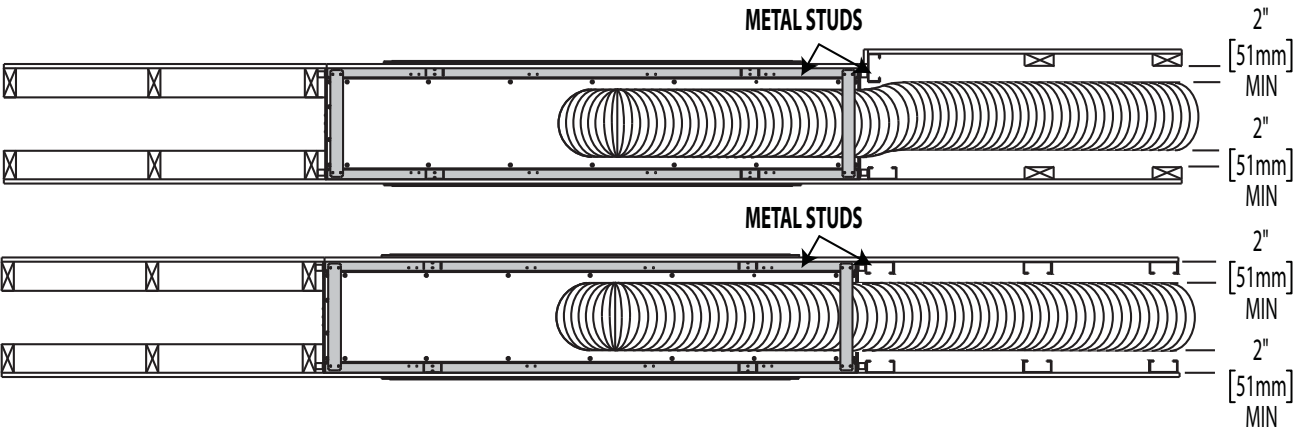
**! WARNING**

**METAL STUDS REQUIRED TO ENSURE CLEARANCE TO COMBUSTIBLES.**

**IMPORTANT:** Before finishing in the appliance test the operation using the remote control, cycling it through all of its different modes, see "OPERATION" section. Should trouble shooting be required, access to the controls can be made through the pre-finishing access panel.



**NOTE:** Power vent system available with reduced vent pipe clearances. Contact your authorized dealer / distributor for more information.

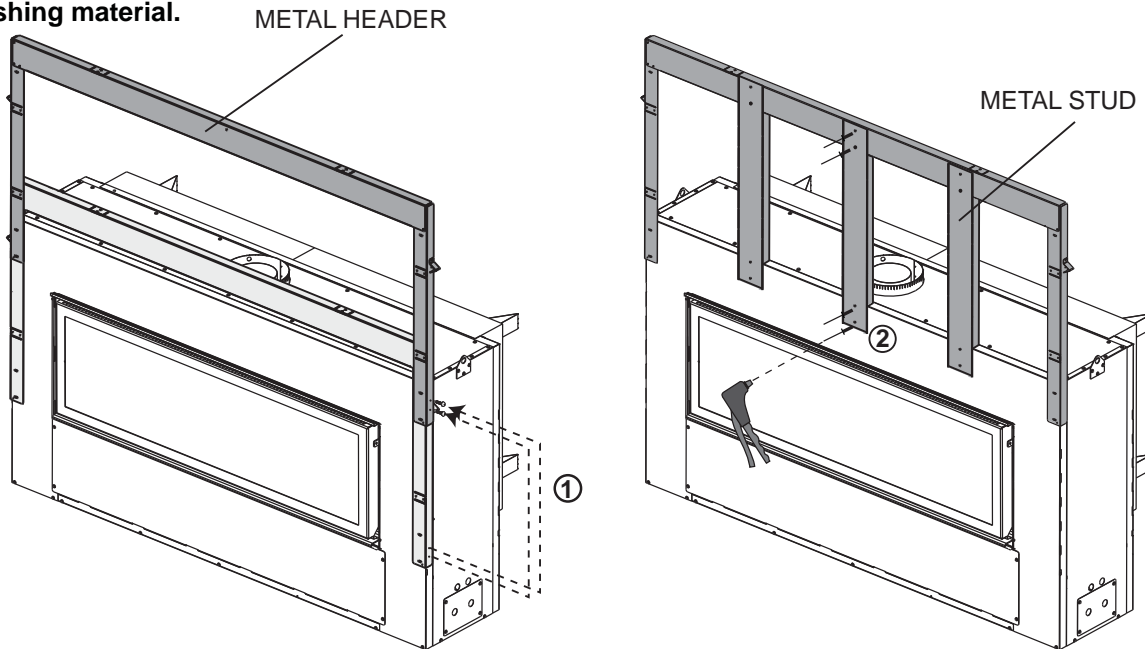


## 5.2 ONE SIDE APPLIANCE

**! WARNING****EDGES ARE SHARP, ALWAYS WEAR GLOVES WHEN WORKING WITH SHEET METAL.**

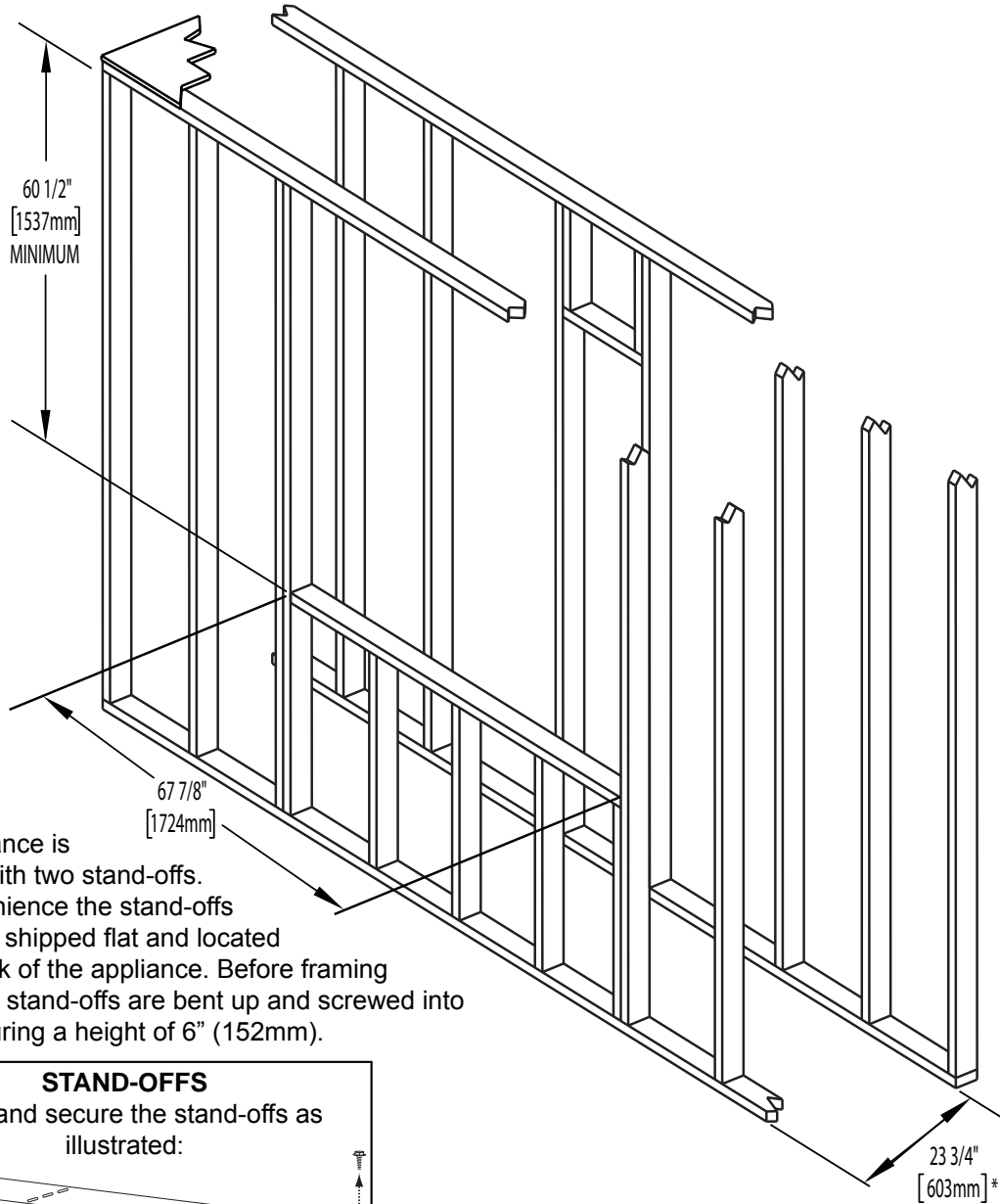
- A. Lift the frame up and secure with the screws just removed.
- B. Erect the steel frame supplied as illustrated and rivet into place.

**NOTE:** For heavier finishing materials such as marble, we recommend adding extra support to the frame. Rivet metal studs in place. Ensure there is adequate floor support for the appliance and finishing material.

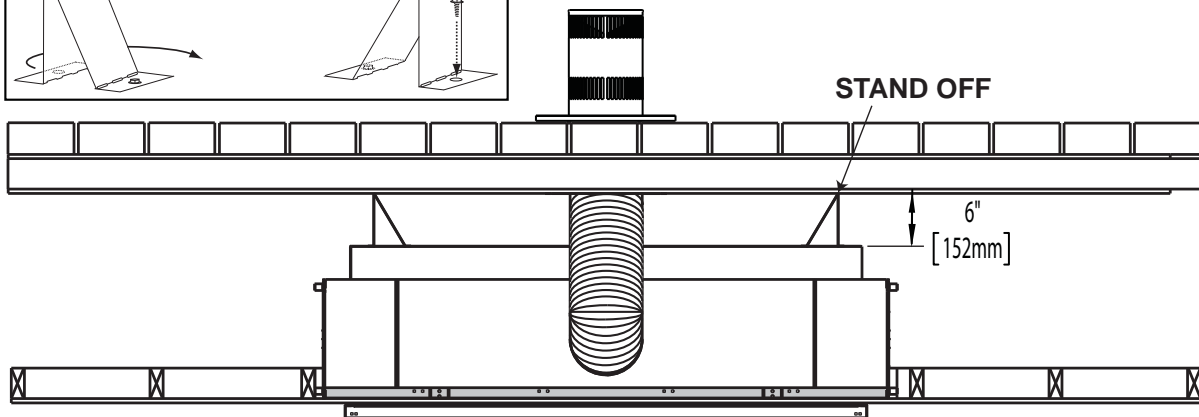
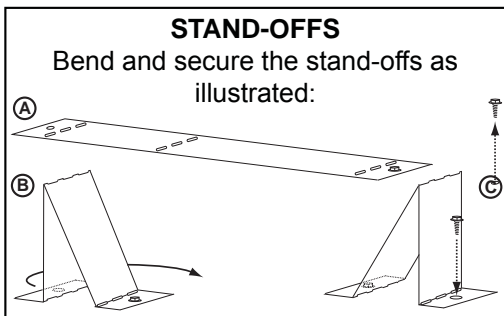


\* When constructing the enclosure allow for finishing material thickness to maintain clearances.

**IMPORTANT:** Before finishing in the appliance test the operation using the remote control, cycling it through all of its different modes, see "OPERATION" section. Should trouble shooting be required, access to the controls can be made through the pre-finishing access panel.



This appliance is supplied with two stand-offs. For convenience the stand-offs have been shipped flat and located on the back of the appliance. Before framing ensure the stand-offs are bent up and screwed into place ensuring a height of 6" (152mm).



## 5.3 MINIMUM CLEARANCE TO COMBUSTIBLE ENCLOSURES

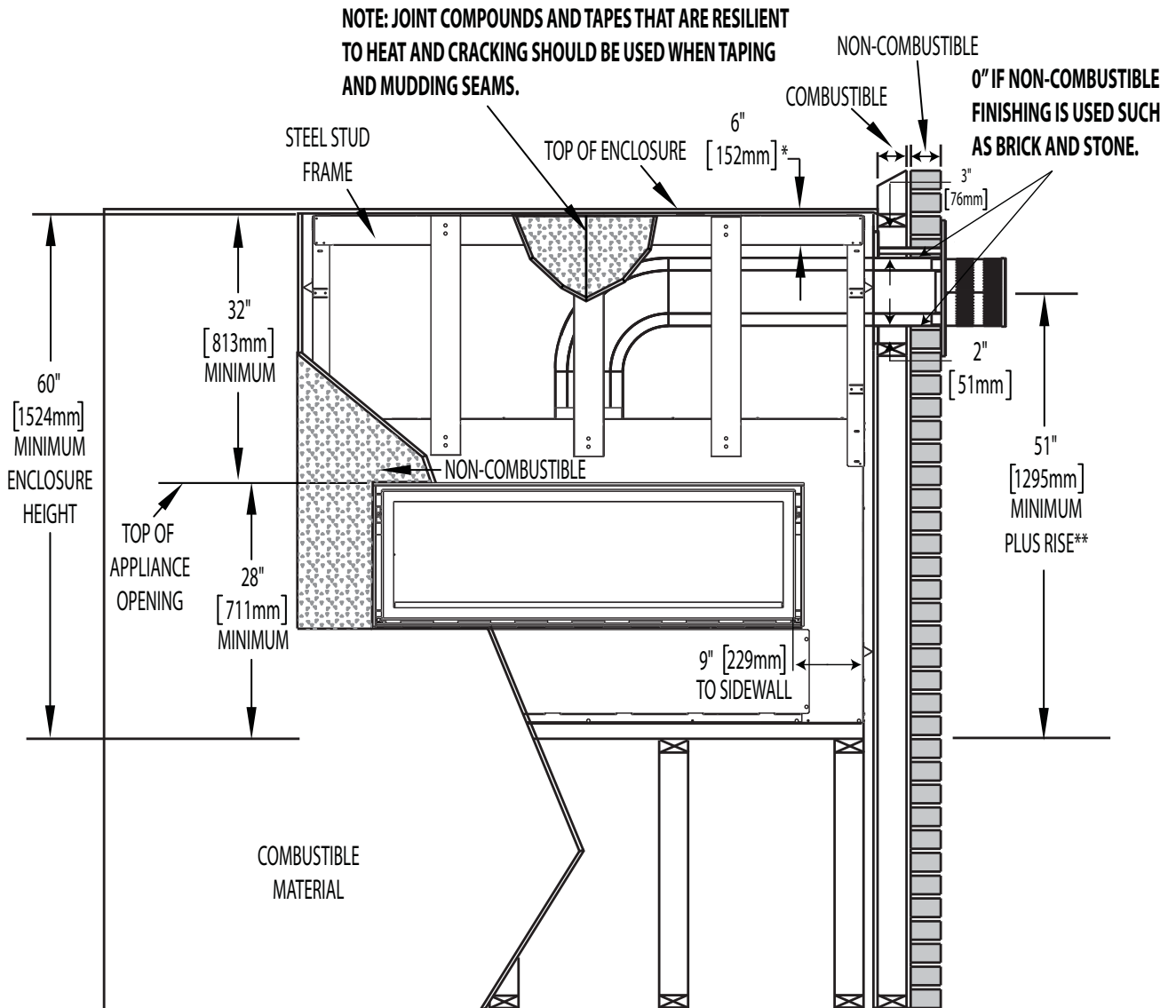
EN

**! WARNING**

**THE FRONT OF THE APPLIANCE MUST BE FINISHED WITH ANY NON-COMBUSTIBLE MATERIALS SUCH AS BRICK, MARBLE, GRANITE, ETC., AS LONG AS THESE MATERIALS NEVER OVERHANG INTO THE APPLIANCE OPENING.**

**IMPORTANT:** The LHD50 requires a minimum inside enclosure height of 60" (1524mm), measured from the bottom of the appliance. For temperature requirements, this area must be left unobstructed. It is recommended that the enclosure be ventilated at the top and bottom to circulate the hot air.

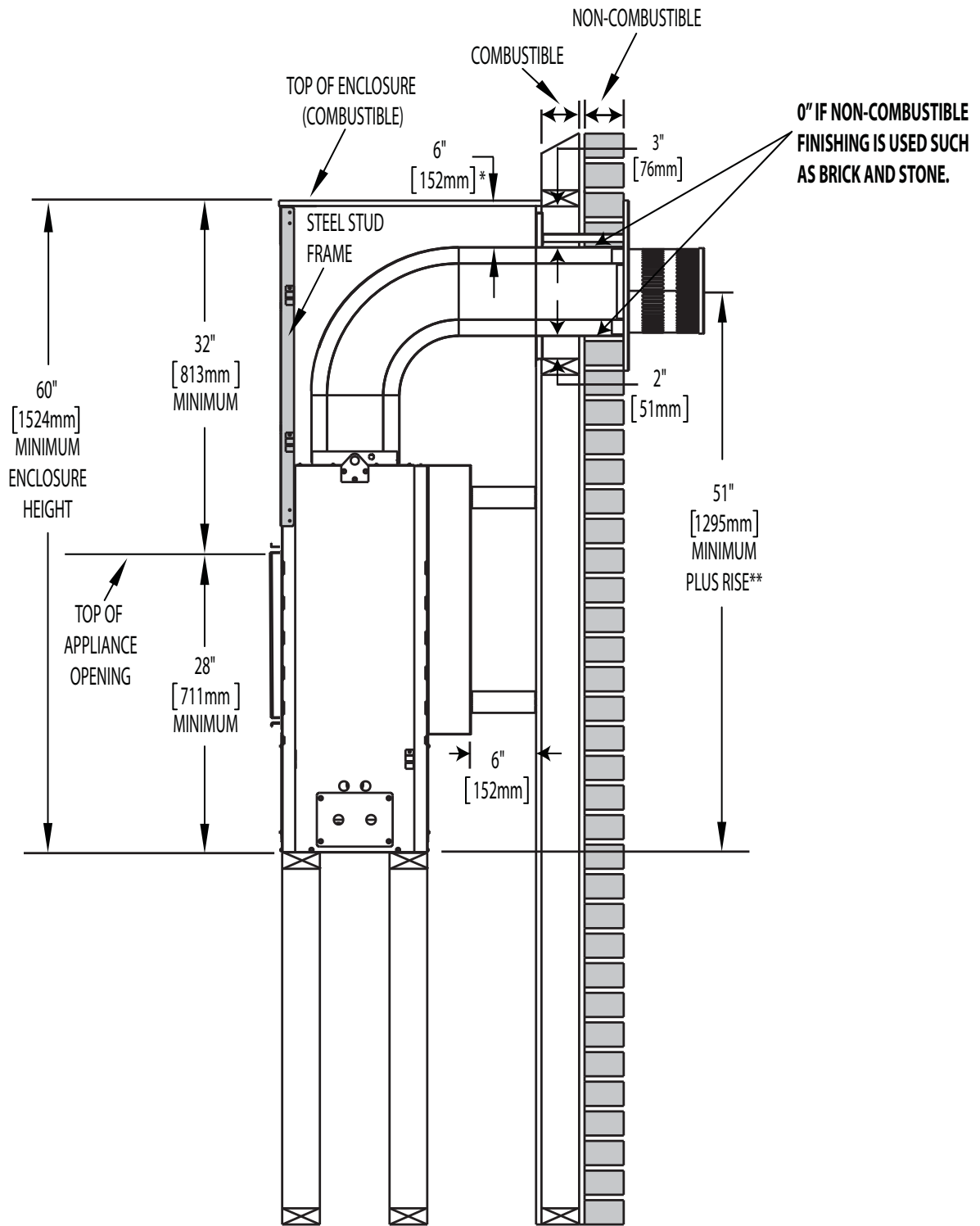
Before finishing in the appliance test the operation using the remote control, cycling it through all of its different modes, see "OPERATION" section. Check pressure readings, see "PILOT BURNER ADJUSTMENT" section. Once finished in, access to the control components can only be done through the inside of the appliance.



\* Within the appliance enclosure a 6" (152mm) clearance between the top of the vent pipe and combustibles materials is required. All other clearances within the enclosure, including where the vent pipe exits the enclosure are subject to 2" (51mm) to the sides and bottom and 3" (76mm) to the top for horizontal and 1" (25mm) for vertical.

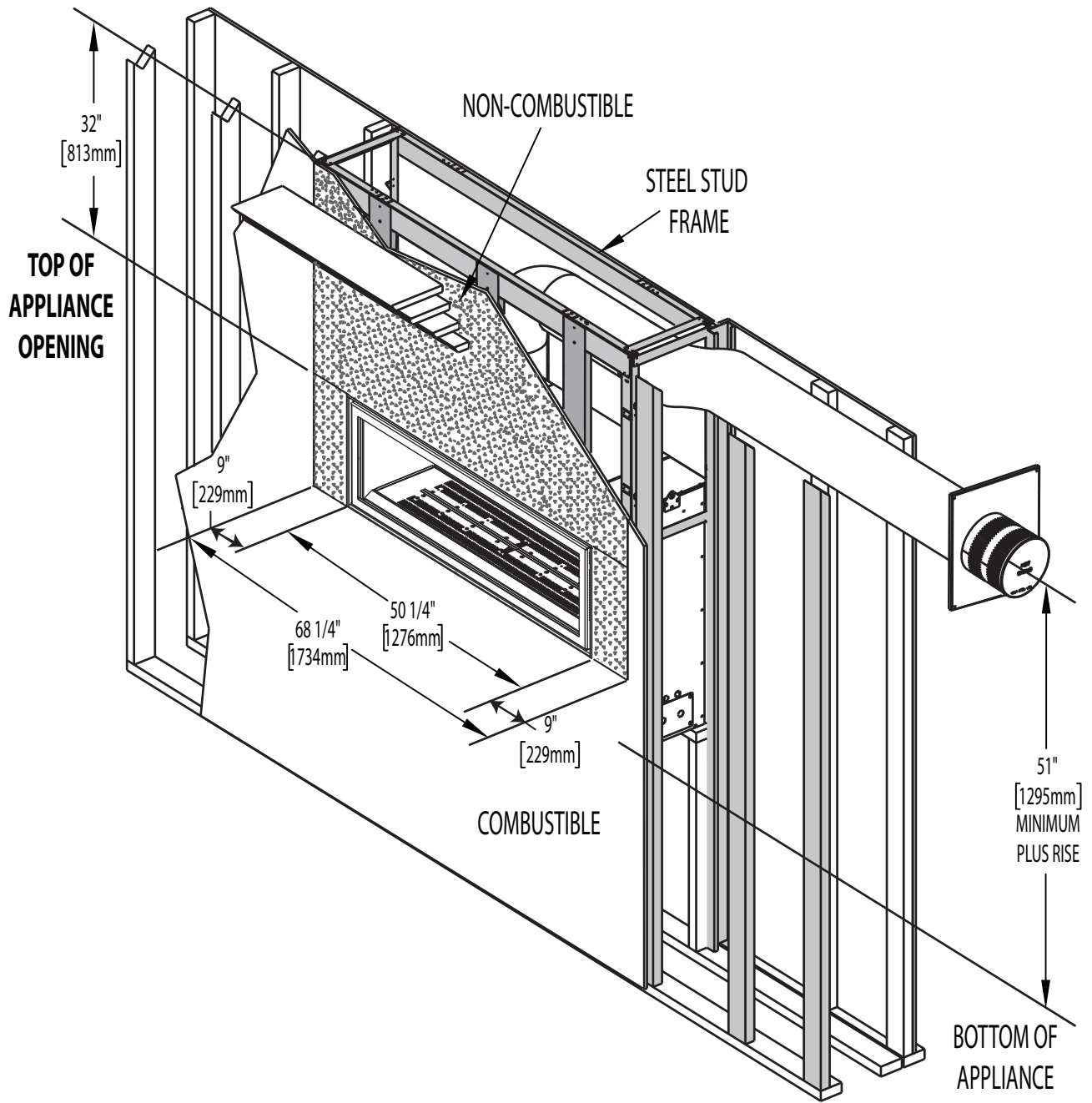
\*\* See venting section.





\* Within the appliance enclosure a 6" (152mm) clearance between the top of the vent pipe and combustible materials is required. All other clearances within the enclosure, including where the vent pipe exits the enclosure are subject to 2" (51mm) to the sides and bottom and 3" (76mm) to the top for horizontal and 1" (25mm) for vertical.

\*\* See venting section.



## 5.4 INSTALLING NON-COMBUSTIBLE BOARD

### **! WARNING**

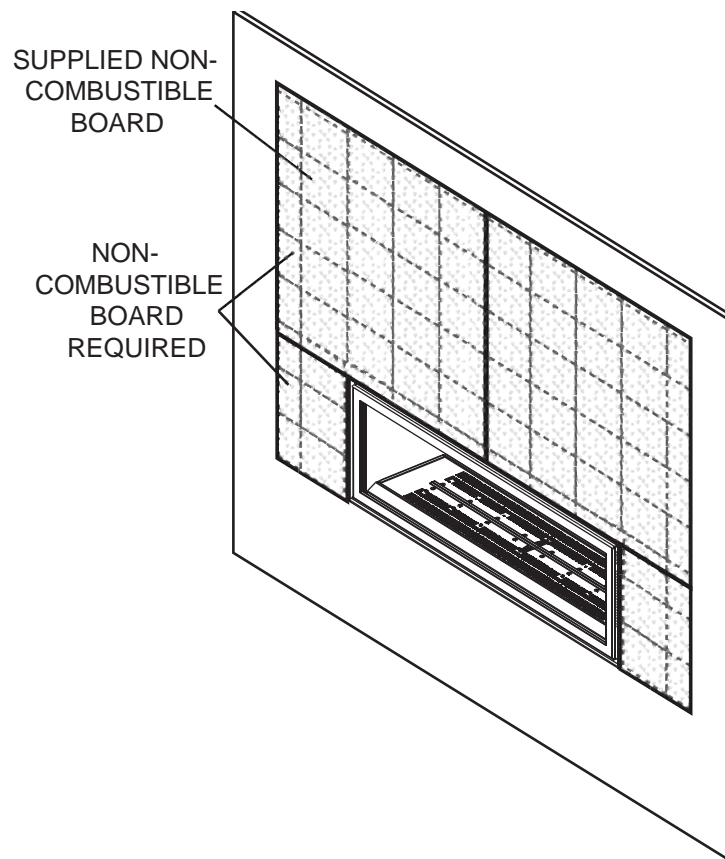
**A NON-COMBUSTIBLE FINISHING MATERIAL BORDER, SUCH AS BRICK, MARBLE, GRANITE, ETC. IS REQUIRED. FINISHING WITH JUST NON-COMBUSTIBLE BOARD TO THE SIDES AND TOP OF THE APPLIANCE IS NOT ALLOWED.**

**THE SURFACE ABOVE THE APPLIANCE GETS VERY HOT. IF PROPER FINISHING MATERIALS ARE NOT USED, CRACKING CAN OCCUR.**

If using the supplied non-combustible board that entire surface must be covered with a non-combustible decorative finish such as brick, marble, granite, etc.

The 32" (813mm) above and the 9" (229mm) on either side of the appliance opening must not be finished with any combustible materials.

It is not required to cover the entire surface with a non-combustible decorative finishing material if using a full sheet of non-combustible board where required. However, a minimum of one course of tile is required to border the sides and top around the door opening. The larger the tile size, the better.



**NOTE:** Keep the securing screws for the non-combustible board a minimum of 6" (152mm) from the side and top of the door opening. This will allow for any slight movement in the normal operation of the appliance.

#### **Joint Compound where required**

Joint compounds such as Durabond 90 and tapes that are resilient to heat and cracking should be used when taping and mudding seams.

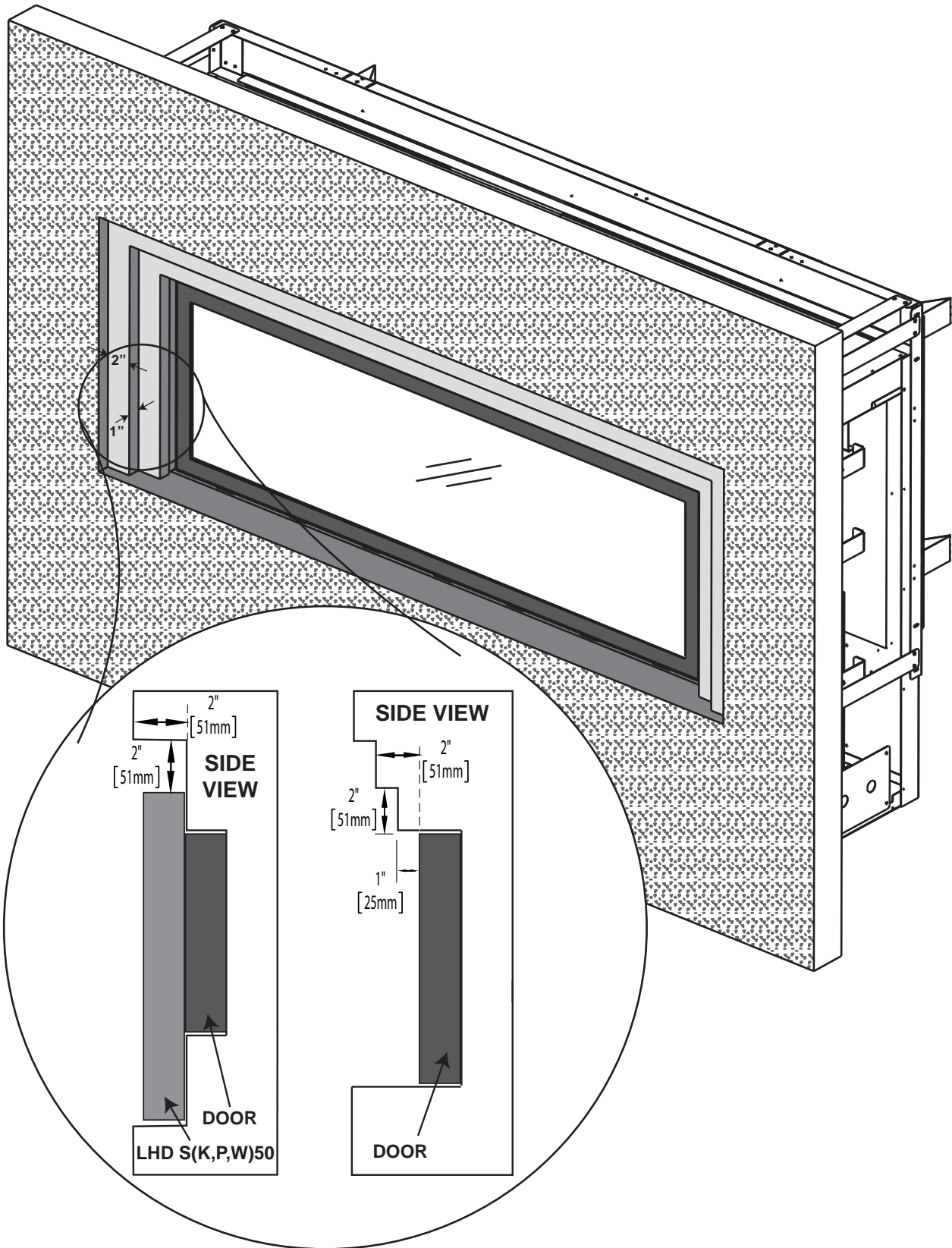
#### **Setting tiles and grouting**

We recommend you use tiles with a dry butt joint to be installed using a two-part mortar with an acrylic latex additive, such as Mapei Kerabond/Kerlastic, to allow for slight movement in the normal operation of the appliance.

If grout is used between the tiles, a polymer-based grout, such as Mapei Ultracolor plus, is recommended.

#### **Primer/Paint**

For a painted surface, use a 100% acrylic latex primer and finish coat. Light coloured paints may discolour.



**WARNING:** Non-combustible finishing material tight to the frame around the operating door must not project more than 1" (25mm) from the face of the door (above the door and sides only). If greater projections are needed, increase the clearance to the sides and top by 2" (51mm) for every 1" (25mm) projection. If using LHDS(K,P,W)50 surround, then 2" (51mm) clearance above the frame is required before projecting out a maximum 2" (51mm). If greater projections are needed, increase the clearance to the top by 2" (51mm) for every 1" (25mm) of additional projection.

5.5 MINIMUM COMBUSTIBLE MANTEL CLEARANCES

**! WARNING**

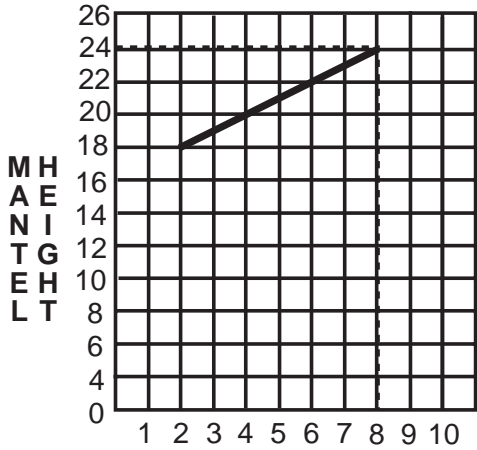
**RISK OF FIRE, MAINTAIN ALL SPECIFIED AIR SPACE CLEARANCES TO COMBUSTIBLES. FAILURE TO COMPLY WITH THESE INSTRUCTIONS MAY CAUSE A FIRE OR CAUSE THE APPLIANCE TO OVERHEAT. ENSURE ALL CLEARANCES (I.E. BACK, SIDE, TOP, VENT, MANTEL, FRONT, ETC.) ARE CLEARLY MAINTAINED.**

**WHEN USING PAINT OR LACQUER TO FINISH THE MANTEL, THE PAINT OR LACQUER MUST BE HEAT RESISTANT TO PREVENT DISCOLOURATION.**

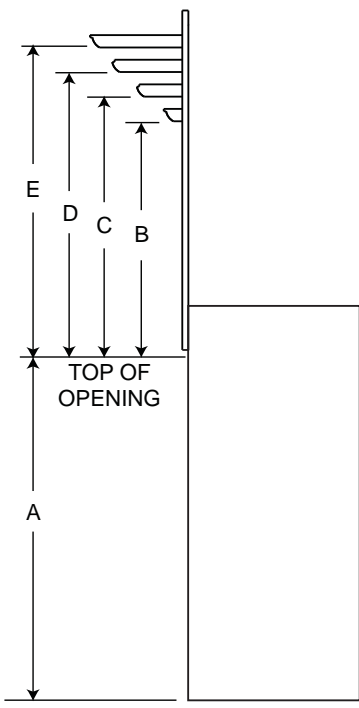
EN

73.1

Combustible mantel clearance can vary according to the mantel depth. Use the graph to help evaluate the clearance needed.



MANTEL DIMENSIONS		
Ref	Height	Depth
A	28" (711mm)	
B	18" (457mm)	2" (51mm)
C	20" (508mm)	4" (102mm)
D	22" (559mm)	6" (152mm)
E	24" (610mm)	8" (203mm)



## 6.0 FINISHING

<b>! WARNING</b>
<b>RISK OF FIRE!</b>
<b>NEVER OBSTRUCT THE FRONT OPENING OF THE APPLIANCE.</b>
<b>THE FRONT OF THE APPLIANCE MUST BE FINISHED WITH ANY NON-COMBUSTIBLE MATERIALS SUCH AS BRICK, MARBLE, GRANITE, ETC., PROVIDED THAT THESE MATERIALS DO NOT GO BELOW THE SPECIFIED DIMENSION AS ILLUSTRATED.</b>
<b>DO NOT STRIKE, SLAM OR SCRATCH GLASS. DO NOT OPERATE APPLIANCE WITH GLASS REMOVED, CRACKED, BROKEN OR SCRATCHED.</b>
<b>FACING AND/OR FINISHING MATERIAL MUST NEVER OVERHANG INTO THE APPLIANCE OPENING.</b>
<b>THE GLASS DOOR ASSEMBLY IS DESIGNED TO PIVOT FORWARD WHEN RELIEVING EXCESS PRESSURE THAT MIGHT OCCUR. FINISHING OR OTHER MATERIALS MUST NOT BE LOCATED IN THE OPENING SURROUNDING THE DOOR AS THIS WILL INTERFERE WITH THE DOORS ABILITY TO RELIEVE THE PRESSURE.</b>

### 6.1 DOOR REMOVAL / INSTALLATION

72.6

<b>! WARNING</b>
<b>GLASS MAY BE HOT, DO NOT TOUCH GLASS UNTIL COOLED.</b>
<b>THE DOOR LATCHES ARE PART OF A SAFETY SYSTEM AND MUST BE PROPERLY ENGAGED. DO NOT OPERATE THE APPLIANCE WITH LATCHES DISENGAGED.</b>
<b>FACING AND/OR FINISHING MATERIALS MUST NOT INTERFERE WITH AIR FLOW THROUGH AIR OPENINGS, LOUVRES OPENINGS, OPERATION OF LOUVRES OR DOORS OR ACCESS FOR SERVICE. OBSERVE ALL CLEARANCES WHEN APPLYING COMBUSTIBLE MATERIALS.</b>
<b>BEFORE DOOR IS REMOVED TURN THE APPLIANCE OFF AND WAIT UNTIL APPLIANCE IS COOL TO THE TOUCH. DOORS ARE HEAVY AND FRAGILE SO HANDLE WITH CARE.</b>

75.1

## ! WARNING

**DO NOT INSERT FINGERS IN THE GAP BETWEEN THE DOOR AND THE FRAMING EDGE, THERE IS A RISK OF INJURY DUE TO THE SPRING MECHANISM.**

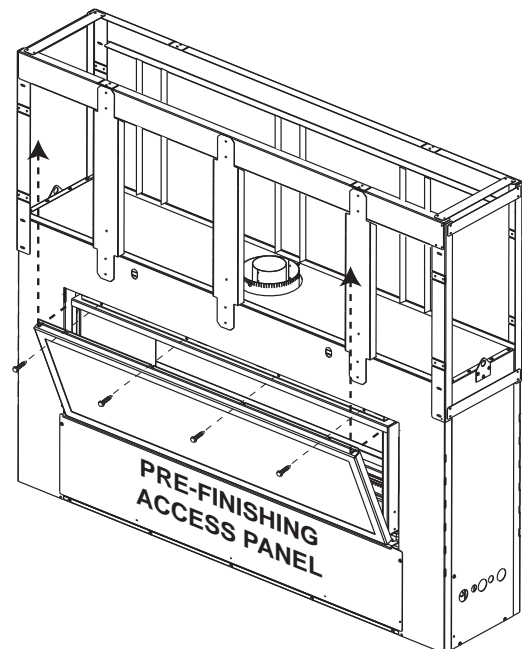
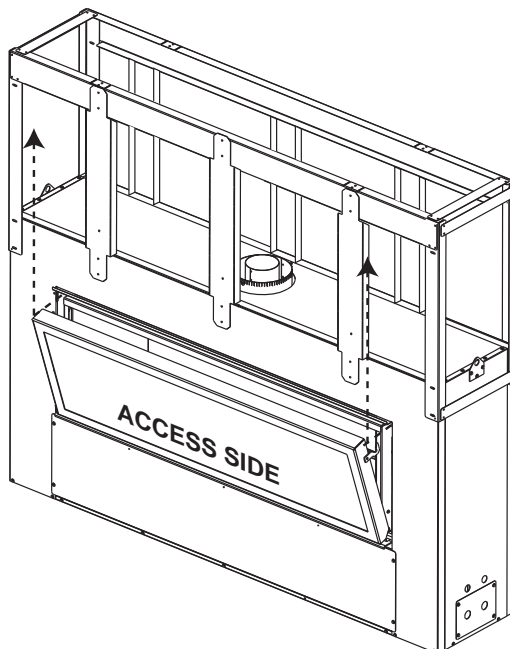
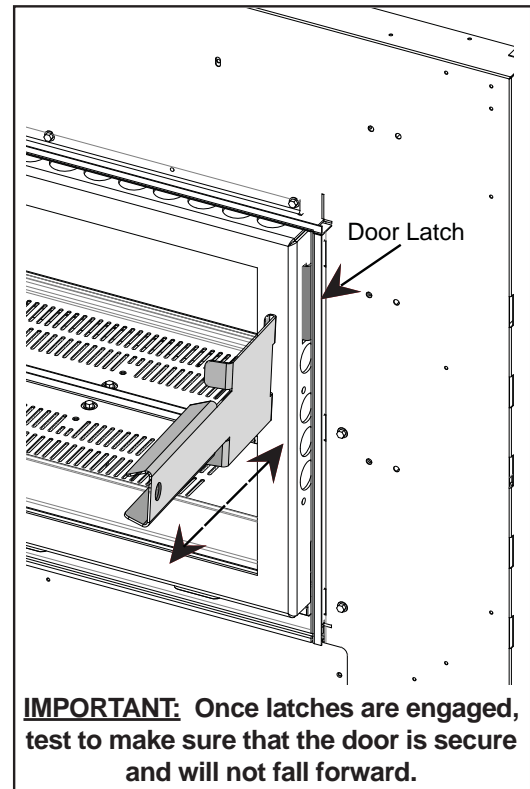
EN

### FRONT - ACCESS SIDE

- A. Locate the door latches: one at each the left and right side of the door between the main door and framing edge.
- B. Place the latch key onto the door latch. Pull forward and away to disengage door latches.
- C. Tilt the top of the door forward until you can grab the sides of the door. Lift up and out of the bottom door retainer.
- D. To re-install the door, lift onto the bottom door retainer, hold the door in place and resecure the latches.

### BACK OF TWO SIDED ONLY

- E. Remove the four screws holding the door to the appliance.
- F. Tilt the top of the door forward until you can grab the sides of the door. Lift up and out of the bottom door retainer.
- G. When re-installing the door, lift onto the bottom door retainer, tilt the top towards the appliance and secure with the four removed screws.



## 6.2 GLASS MEDIA INSTALLATION

**! WARNING**

**CLEAN THE GLASS MEDIA PRIOR TO INSTALLATION. BEFORE APPLYING THE CLEANED GLASS, ENSURE THAT IT IS DRY.**

**DO NOT CHANGE OR SUBSTITUTE THE GLASS MEDIA MATERIAL PROVIDED WITH THIS APPLIANCE. IF REPLACING, USE ONLY THE REPLACEMENT GLASS MEDIA AVAILABLE FROM YOUR AUTHORIZED DEALER / DISTRIBUTOR.**

**DO NOT PLACE ANY MEDIA (GLASS OR VERMICULITE) IN OR AROUND THE PILOT OPENING. THIS WILL INTERFERE WITH THE PILOT OPERATION**

Evenly spread the glass media onto the media tray, ensuring no glass media falls into the pilot opening. If this happens, insert a clean bag into your vacuum cleaner and vacuum out the glass media. Replacement glass can be purchased from your local authorized dealer / distributor.

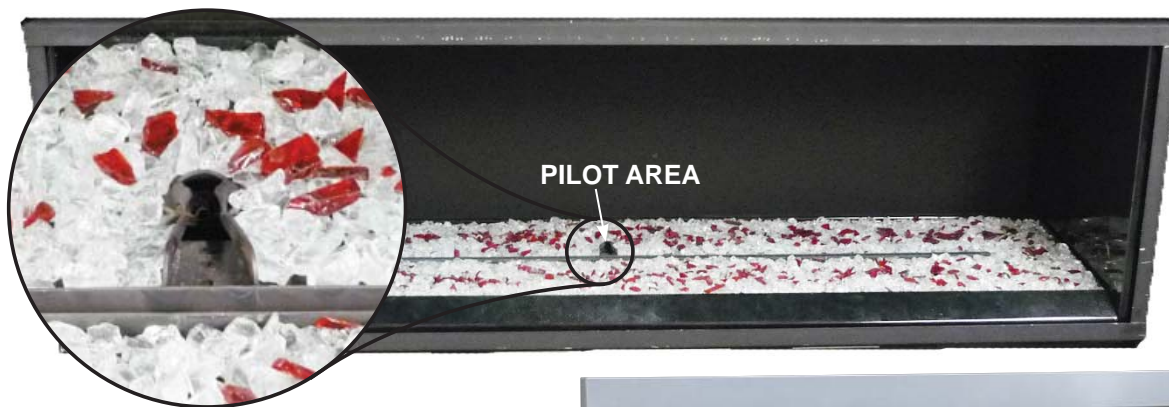
**CLEANING GLASS MEDIA**

Glass media may have a fine oil residue that needs to be cleaned prior to installation. Clean the glass with mild dish soap, drain, rinse thoroughly and dry before placing around the burner.

74.2B

**WARNING: DO NOT PLACE MEDIA ON OR AROUND THE PILOT, THIS WILL INTERFERE WITH PILOT OPERATION. USE ONLY MEDIA APPROVED FOR USE WITH THIS APPLIANCE. DO NOT OVERFILL MEDIA, USE ONLY THE AMOUNT SUPPLIED WITH THE APPLIANCE.**

**NOTE: Care must be taken to ensure glass embers are kept clear of the pilot area on the media tray and aren't interfering with the pilot operation. Glass embers must not cover burner ports.**

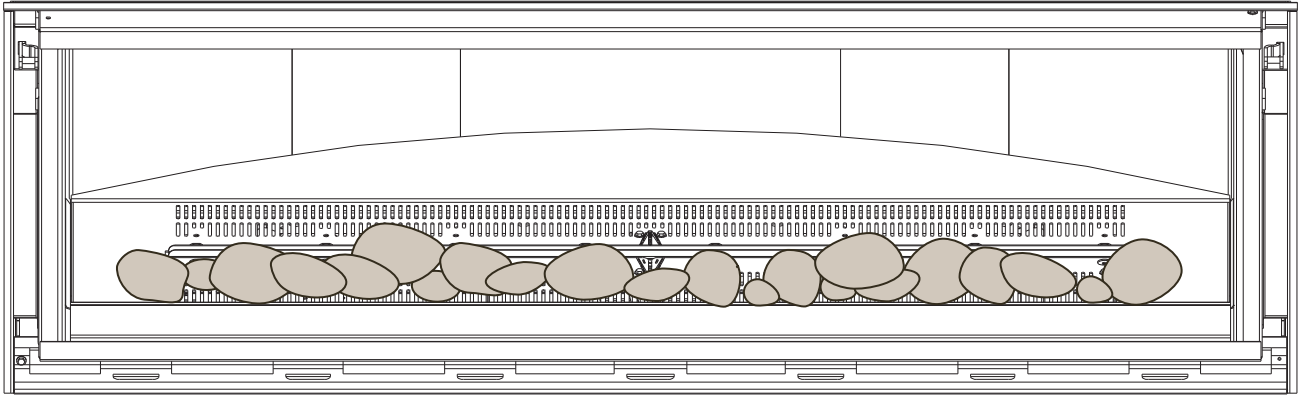


Place the media (Geo Shapes, Rocks and/or Twigs) around the burner as desired, **making sure not to cover any burner ports.** (There are no set locations).



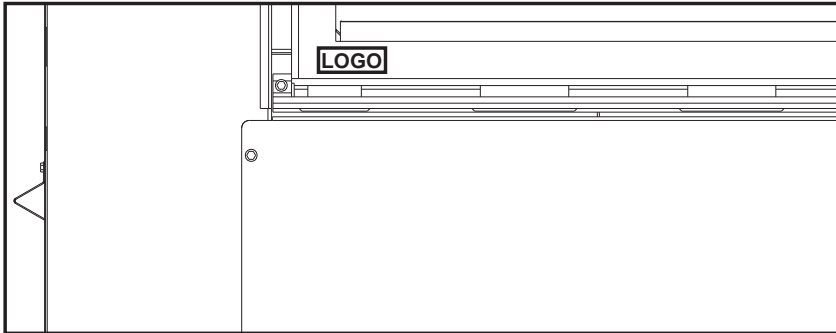


### 6.3 OPTIONAL ROCK PLACEMENT

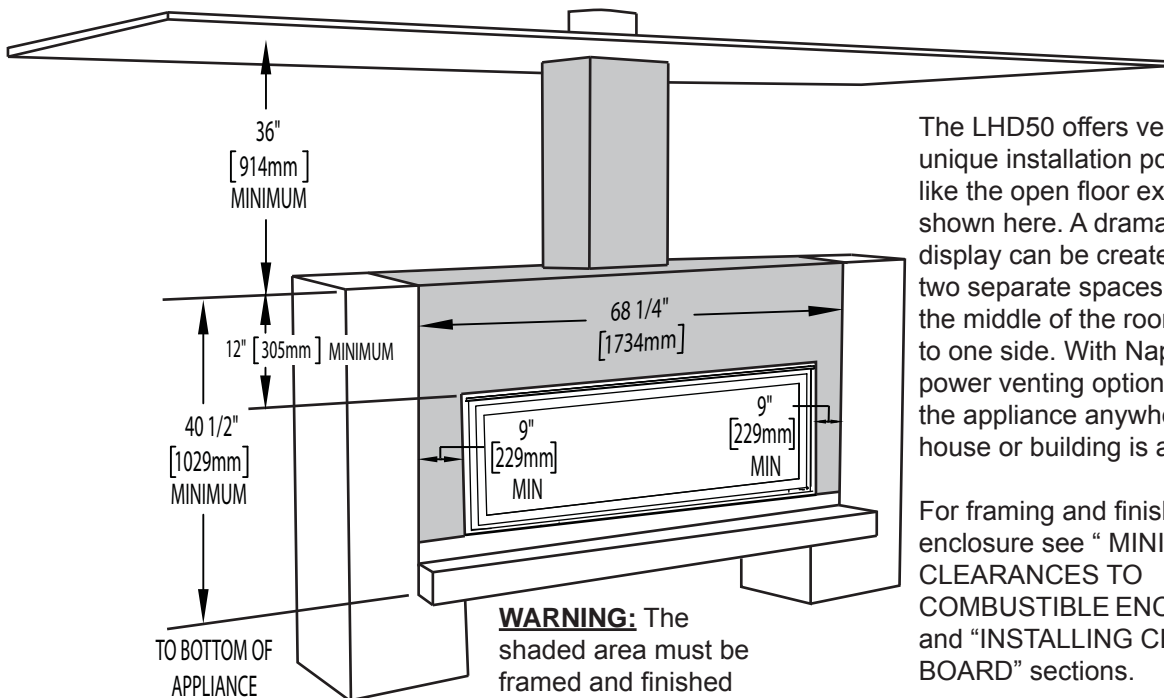


Randomly place the refractory rocks onto the media tray, around, but not on the burner ports or pilot. For one sided appliance, use one kit. Use two kits for see-thru appliance.

### 6.4 LOGO PLACEMENT



### 6.5 UNIQUE INSTALLATIONS



The LHD50 offers versatile and unique installation possibilities like the open floor example shown here. A dramatic artwork display can be created to divide two separate spaces, either in the middle of the room or off to one side. With Napoleon's power venting option, positioning the appliance anywhere in the house or building is attainable.

For framing and finishing the enclosure see "MINIMUM CLEARANCES TO COMBUSTIBLE ENCLOSURES" and "INSTALLING CEMENT BOARD" sections.

**WARNING:** The shaded area must be framed and finished with non-combustible materials.

## 7.0 ELECTRICAL CONNECTION

### ! WARNING

**DO NOT USE THIS APPLIANCE IF ANY PART HAS BEEN UNDER WATER. CALL A QUALIFIED SERVICE TECHNICIAN IMMEDIATELY TO HAVE THE APPLIANCE INSPECTED FOR DAMAGE TO THE ELECTRICAL CIRCUIT.**

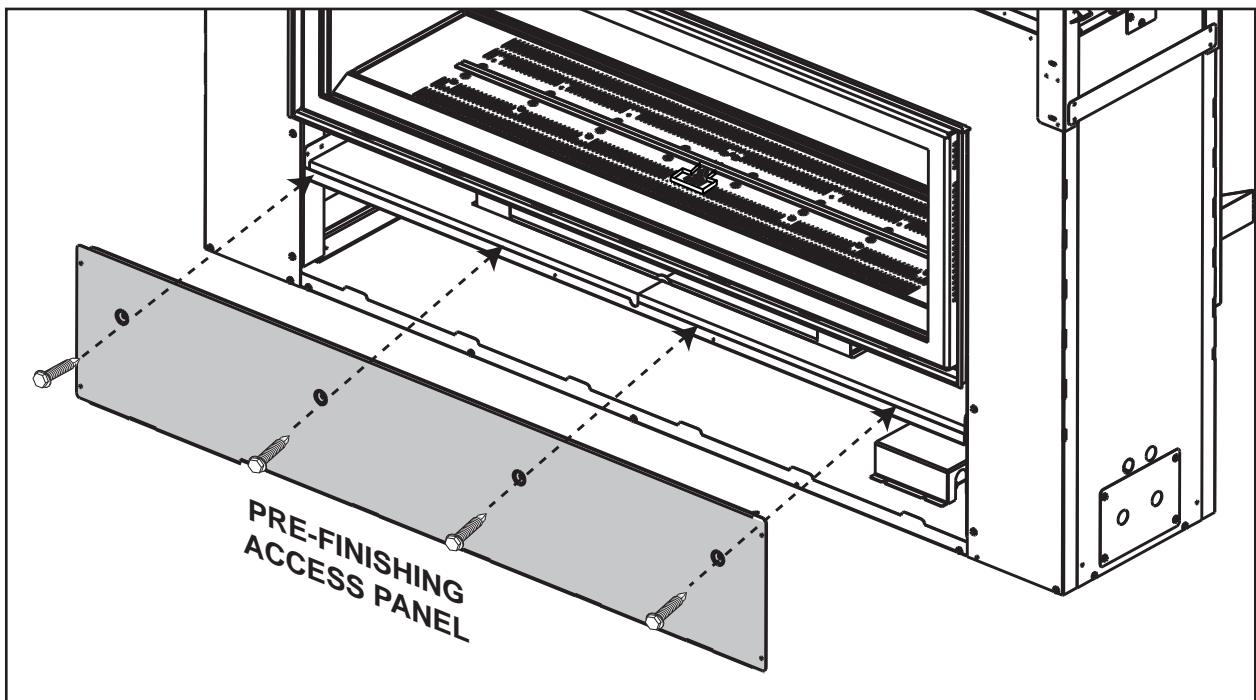
**RISK OF ELECTRICAL SHOCK OR EXPLOSION. DO NOT WIRE 110V TO THE VALVE OR TO THE APPLIANCE WALL SWITCH. INCORRECT WIRING WILL DAMAGE CONTROLS.**

**ALL WIRING SHOULD BE DONE BY A QUALIFIED ELECTRICIAN AND SHALL BE IN COMPLIANCE WITH LOCAL CODES. IN THE ABSENCE OF LOCAL CODES, USE THE CURRENT CSA22.1 CANADIAN ELECTRIC CODE IN CANADA OR THE CURRENT NATIONAL ELECTRIC CODE ANSI/NFPA NO. 70 IN THE UNITED STATES.**

**ALWAYS LIGHT THE PILOT WHETHER FOR THE FIRST TIME OR IF THE GAS SUPPLY HAS RAN OUT, WITH THE GLASS DOOR OPENED OR REMOVED.**

69.2

If access to the control area is necessary BEFORE INSTALLATION, remove the pre-finishing access panel. The access panel must be re-installed before operating the appliance.



Before finishing in the appliance test the operation using the remote control, cycling it through all of its different modes, see “OPERATION” section. Once finished in, access to the control components can only be done through the inside of the appliance.

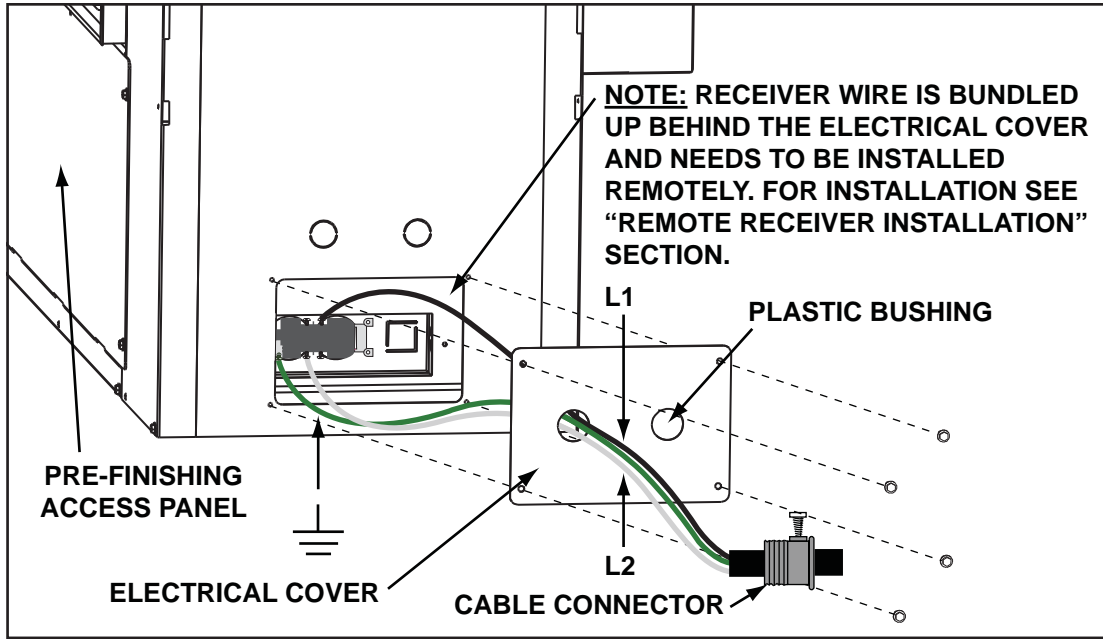
**NOTE:** Control module ON/OFF switch should always be in the “ON” position. If for any reason the module is turned “OFF”, the components plugged into the module won’t have power.

### 7.1 HARD WIRING CONNECTION

It is necessary to hard wire this appliance.

Permanently framing the appliance with an enclosure, requires the appliance junction box to be hard wired. This appliance must be electrically connected and grounded in accordance with local codes. In the absence of local codes, use the current CSA C22.1 Canadian electrical code in Canada or the ANSI/NFPA 70-1996 national electrical code in the United States.

7.2 RECEPTACLE WIRING DIAGRAM

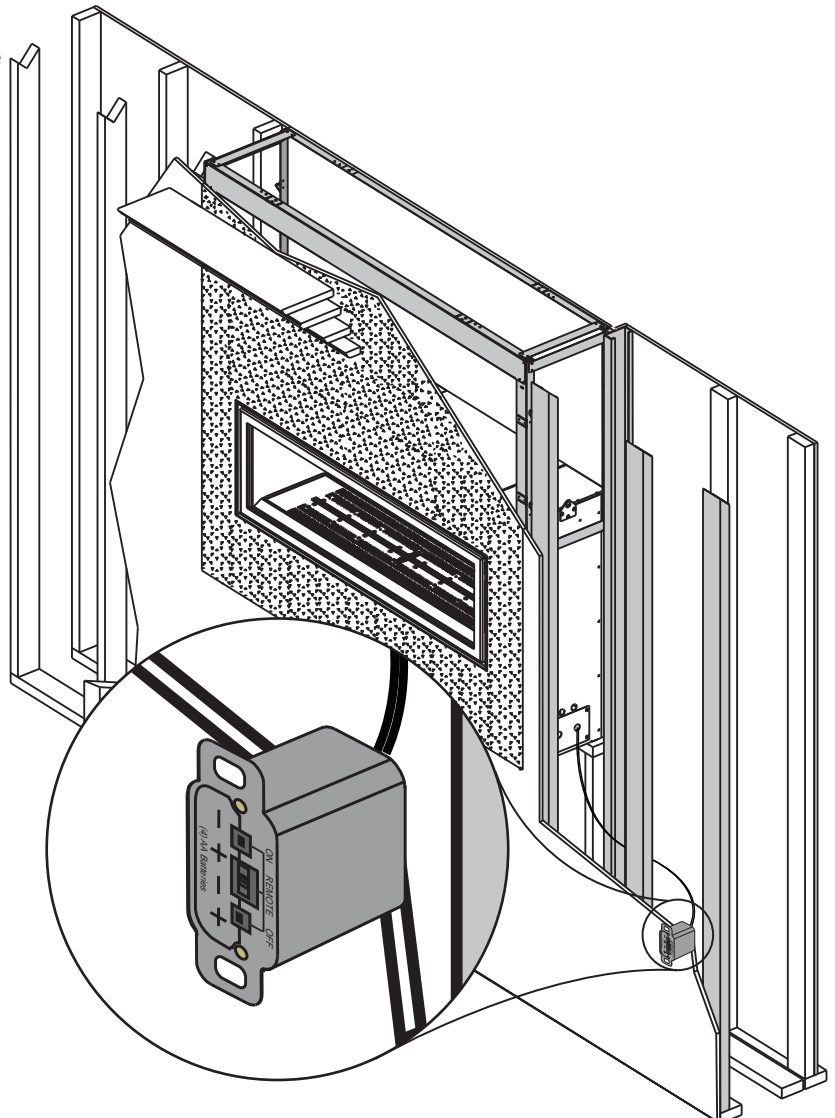


7.3 REMOTE RECEIVER INSTALLATION

Receiver must be located within 8 feet of this side of the appliance and must be accessible for programming the remote.

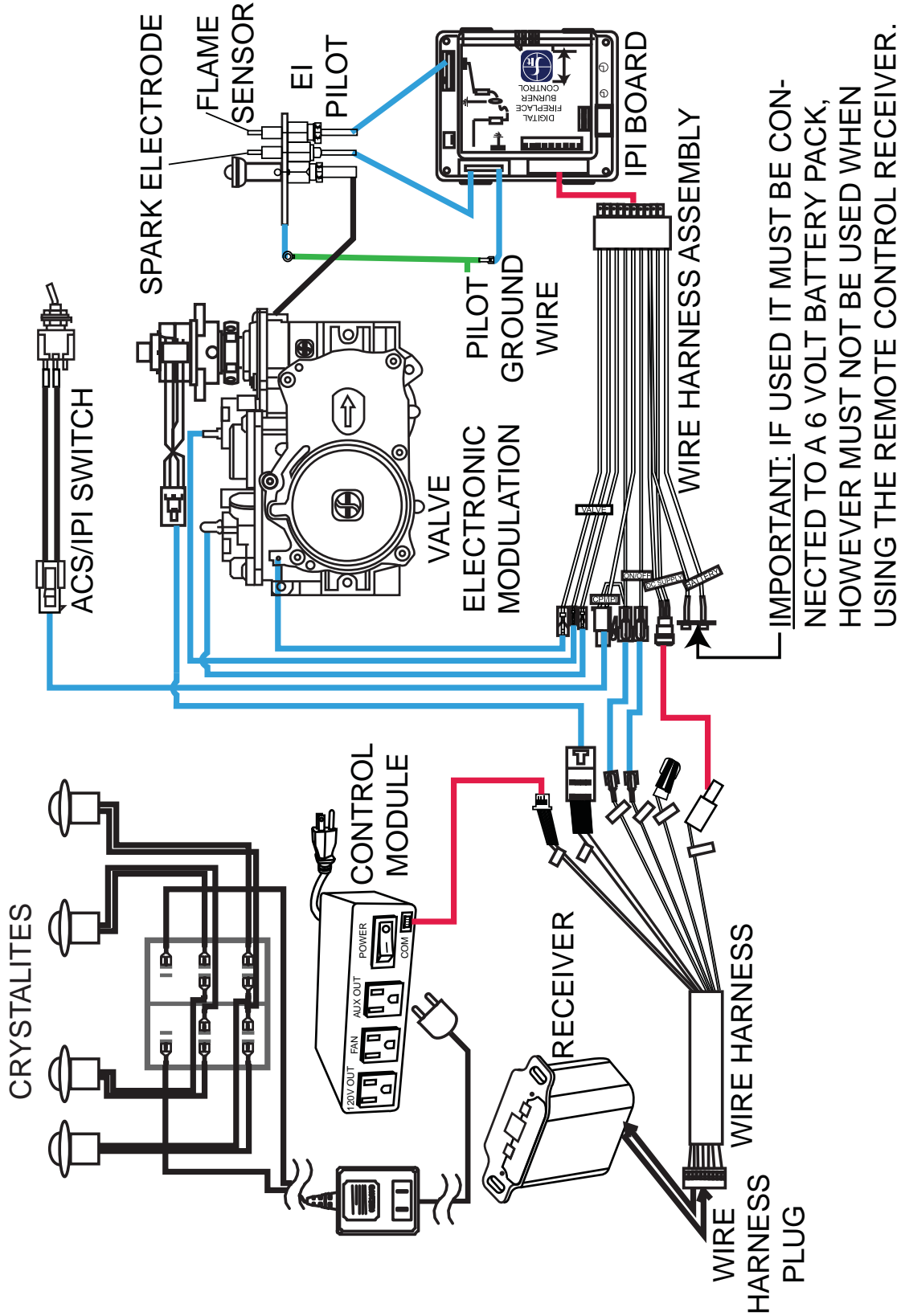
Install the receiver into a standard electrical switch box. Determine an appropriate location and install the electrical box.

**NOTE:** Ensure the 3 position slider switch is in the "REMOTE" position (middle).



# ! WARNING

DO NOT WIRE 110 VOLTS TO THE VALVE OR WALL SWITCH.



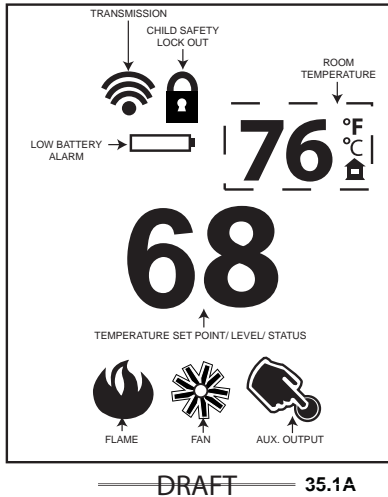
## 8.0 OPERATION

### ! WARNING

**IF YOU DO NOT FOLLOW THESE INSTRUCTIONS EXACTLY, A FIRE OR EXPLOSION MAY RESULT CAUSING PROPERTY DAMAGE, PERSONAL INJURY OR LOSS OF LIFE.**

**ALWAYS LIGHT THE PILOT WHETHER FOR THE FIRST TIME OR IF THE GAS SUPPLY HAS RUN OUT WITH THE GLASS DOOR OPENED OR REMOVED.**

### 8.1 GENERAL TRANSMITTER LAYOUT



**NOTE:** The remote system is equipped to control a fan but this feature is not available with the LHD50.

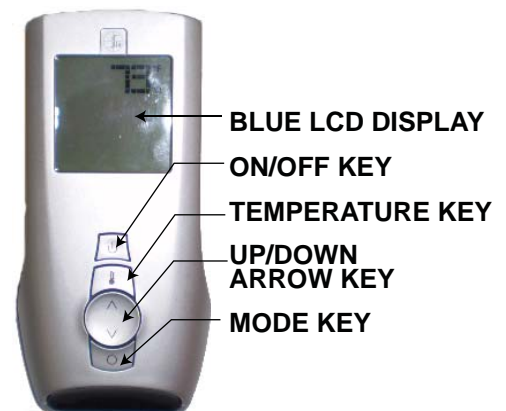
### 8.2 APPLIANCE OPERATION

- Install 4 AA batteries into the receiver battery bay as indicated on the battery cover (+/-). (Only required as back up to household electricity).  
While there is a provision to connect a 6V battery pack (do not use a 9 volt battery), it must not be used when using the remote control receiver.
- Place the 3 position slider switch of the receiver in the "Remote" position.
- Using the end of a paper clip, or other similar object, insert the end of the paper clip into the hole marked "PRG" on the receiver front cover. The receiver will "beep" three (3) times to indicate that it is ready to synchronize with the transmitter.
- Install the 3 AAA batteries in the transmitter battery bay, located on the base of the transmitter.  
With the batteries already installed in the transmitter, push the "ON" button. The receiver will "beep" four times to indicate the transmitter's command is accepted and set to the particular code of that transmitter. The system is now initialized.

35.3

### 8.3 HAND HELD REMOTE OPERATIONS

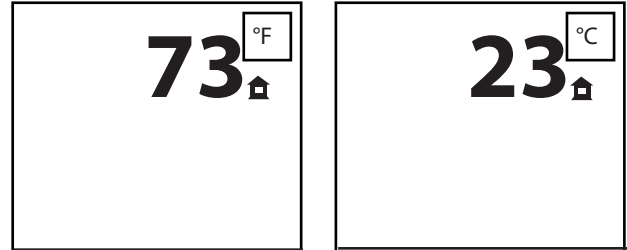
- Press the ON/OFF key on the transmitter. The transmitter display will show all active icons on the screen. A single "beep" from the receiver will confirm reception of the command.



35.4A

## 8.4 TEMPERATURE DISPLAY

- With the system in the "OFF" position, press the Temperature Key and the Mode Key at the same time to change from degrees F to C.
- Look at the LCD screen on the Transmitter to verify that a C or F is visible to the right of the Room Temperature display.

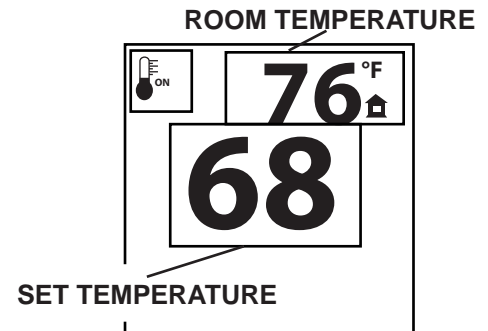


35.5A

## 8.5 ROOM THERMOSTAT

The remote transmitter can operate as a room thermostat. The thermostat can be set to a desired temperature to control the comfort level in the room.

- Press the Thermostat Key. The LCD display on the Transmitter will show that the room is "ON" and the set temperature is now displayed.
- To adjust the set temperature, press the Up/Down Arrow Keys until the desired set temperature is displayed on the LCD screen of the Transmitter.

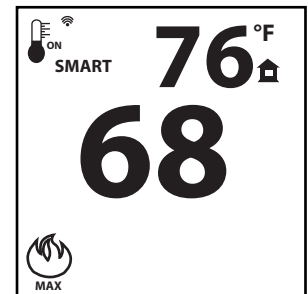


35.6

## 8.6 SMART THERMOSTAT

The Smart Thermostat function adjusts the flame height according to the difference between the set temperature and the actual room temperatures. As the room temperature gets closer to the set point the Smart Function will automatically adjust the flame down.

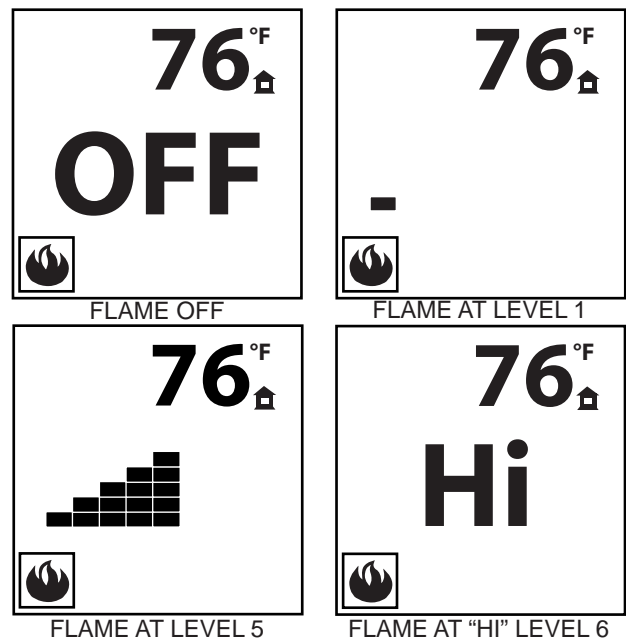
- Press the thermostat key until the word "SMART" appears to the right of the temperature bulb graphic.
- To adjust the set temperature, press the Up/Down arrow keys until the desired set temperature is displayed on the LCD screen at the Transmitter.



35.7

## 8.7 FLAME HEIGHT

The remote control has six (6) flame levels. With the system on and the flame level at the maximum, press the Down Arrow Key once and it will reduce the flame height by one step until the flame is turned off. The Up Arrow Key will increase the flame height each time it is pressed. If the Up Arrow Key is pressed while the system is on but the flame is off, the flame will come on the high position. A single "beep" will confirm reception of the command.

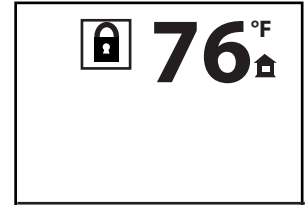


35.8A

## 8.8 CHILD PROOF FUNCTION

This function will lock the keys to avoid unsupervised operation.

- A. Press the MODE and UP keys at the same time.
- B. To de-activate this function, press the MODE and UP keys at the same time.

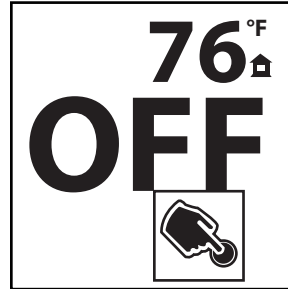


35.10A

## 8.9 CRYSTALITES™

The auxiliary function controls the AUX power outlet on the Control Module which controls the Crystalites™.

- A. Use the Mode Key to guide you to the AUX icon.
- B. Pressing the Up Arrow Key will activate the Crystalites™.
- C. Pressing the Down Arrow Key will turn the Crystalites™ off. A single “beep” will confirm the reception of the command.



DRAFT

35.11A

## 8.10 LOW BATTERY / MANUAL BYPASS

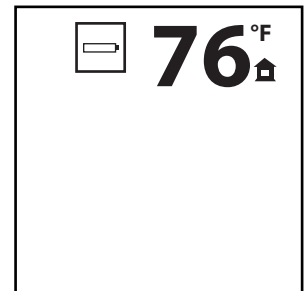
The life span of the remote batteries depends on various factors: quality of the batteries, the number of ignitions, etc.

When the transmitter batteries are low, a Battery Icon will appear on the LCD display before all battery power is lost. When the batteries are replaced this icon will disappear.

Not applicable when plugged into 110V.

When the receiver batteries are low, no “beep” will be emitted from the receiver when it receives an ON/OFF command. This is an alert for the receiver that there’s low battery. When the batteries are replaced the “beep” will be emitted from the receiver when the ON/OFF key is pressed.

If the batteries of the receiver or transmitter are low, the appliance can be turned on manually by sliding the three position slider switch on the receiver to the “ON” position. This will bypass the remote control feature and the appliance main burner will come on if the gas valve is in the “ON” position.



35.13A

## 8.11 IN THE EVENT OF A POWER FAILURE

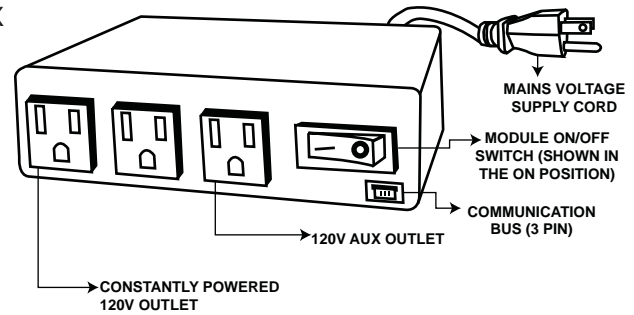
If the receiver is equipped with batteries they will enable flame height control or ON/OFF function to control the fireplace during a power failure. Refer to “APPLIANCE OPERATION” section when communications between receiver and transmitter have been lost. The receiver will emit a “beep” sound to confirm programming has been successful once power is restored. During a power failure, if the fireplace was on, the flame height will stay at the setting prior to the failure. If off when the failure occurs and then turned on, the flame height will come on at “HI”. The flame height can then be controlled by the remote.

35.14A

## 8.12 CONTROL MODULE

The control module offers a remotely actuated 120V AUX outlet for the accent lights and a constantly powered 120V outlet.

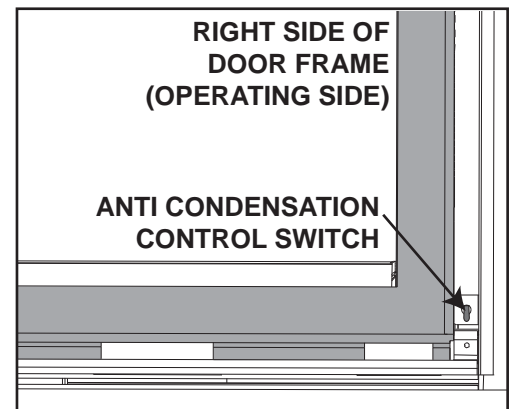
**NOTE:** Control module ON/OFF switch should always be in the “ON” position. If for any reason the module is turned “OFF”, the components plugged into the module won’t have power.



35.16

## 8.13 ANTI CONDENSATION CONTROL SWITCH

This appliance has the option to go from an electronic intermittent pilot ignition to a standing pilot for cold climates. The anti condensation control switch (standing pilot) is located to the right of the main viewing door frame (Operating Side). Using your finger switch the pilot from one mode to the other.



## 8.14 TIMED BLOWER

Your remote system may have a built in timer (in thermostat mode) that enables the blower (if equipped) to cycle on and off automatically when the burner turns on and off. With the remote control fan speed preset at the preferred speed, the blower will come on approximately 5 minutes after the main burner comes on and will shut off approximately 12 minutes after the burner shuts off.

This time delay is designed to maximize the blower distribution of heated air.

If at any time the burner re-ignites before the twelve minutes are over, the fan will continue to run.

**NOTE:** At any time in the sequence, the blower (if equipped) can be manually turned on/off using the remote control.

35.19B



## 9.0 OPERATING INSTRUCTIONS

### **! WARNING**

**IF YOU DO NOT FOLLOW THESE INSTRUCTIONS EXACTLY, A FIRE OR EXPLOSION MAY RESULT CAUSING PROPERTY DAMAGE, PERSONAL INJURY OR LOSS OF LIFE.  
NEVER LEAVE CHILDREN OR OTHER AT RISK INDIVIDUALS ALONE WITH THE APPLIANCE.**

**ALWAYS LIGHT THE PILOT WHETHER FOR THE FIRST TIME OR IF THE GAS SUPPLY HAS RUN OUT WITH THE GLASS DOOR OPENED OR REMOVED.**

Ensure that a continuous gas flow is at the burner before installing the door. When lit for the first time, the appliance will emit an odor for a few hours. This is a normal temporary condition caused by the “burn-in” of paints and lubricants used in the manufacturing process and will not occur again. After extended periods of non-operation such as following a vacation or a warm weather season, the appliance may emit a slight odor for a few hours. This is caused by dust particles in the heat exchanger burning off. In both cases, open a window to sufficiently ventilate the room.



#### FOR YOUR SAFETY READ BEFORE LIGHTING:

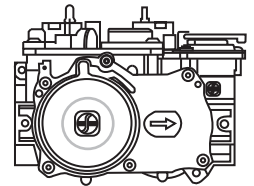
- A. This appliance is equipped with an ignition device which automatically lights the pilot. Do not try to light by hand.
- B. Before operating smell all around the appliance area for gas and next to the floor because some gas is heavier than air and will settle on the floor.
- C. Do not use this appliance if any part has been under water. Immediately call a qualified service technician to inspect the appliance and replace any part of the control system and any gas control which has been under water.

#### WHAT TO DO IF YOU SMELL GAS:

- Turn off all gas to the appliance.
- Open windows.
- Do not try to light any appliance.
- Do not touch any electric switch; do not use any phone in your building.
- Immediately call your gas supplier from a neighbor's phone. Follow the gas supplier's instructions.
- If you cannot reach your gas supplier, call the fire department.

#### LIGHTING INSTRUCTIONS

- A. Stop! Read the above safety information on this label.
- B. Remove batteries from transmitter.
- C. Turn off all electric power to the appliance.
- D. This appliance is equipped with an ignition device which automatically lights the pilot. Do not try to light the pilot by hand.
- E. Open the glass door.
- F. Turn manual shutoff valve clockwise  to off. Located behind the access panel.
- G. Wait five (5) minutes to clear out any gas. If you smell gas including near the floor, **STOP!** Follow “B” in the above safety information on this label. If you don't smell gas go to the next step.
- H. Turn manual shutoff valve counter-clockwise  to on.
- I. Close the glass door.
- J. Turn on all electric power to the appliance and re-install batteries into the transmitter.
- K. Push the “ON” button on the transmitter. You should here an audible beep from the receiver which indicates communication. (Refer to Appliance Operations for remote activation).



#### TO TURN OFF GAS

- A. Turn off all electric power to the appliance if service is to be performed.
- B. Access door inside the firebox must be removed to access the manual shutoff valve.
- C. If alternate shut-off valve was installed it can be shutoff instead of going through the appliance to access the appliance shut off valve.

## 10.0 ADJUSTMENT

### 10.1 RESTRICTING VERTICAL VENTS

Vertical installations may display a very active flame. If this appearance is not desirable, the vent exit must be restricted using a restrictor vent kit. Refer to "ACCESORIES" in the "REPLACEMENTS" section for the appropriate kit. This will reduce the velocity of the exhaust gases, slowing down the flame pattern and creating a more traditional gentle flame appearance. Specific instructions are included with the kit.

77.3

### 10.2 PILOT BURNER ADJUSTMENT

Adjust the pilot screw to provide properly sized flame. Turn in a clockwise direction to reduce the gas flow.

#### **Check Pressure Readings:**

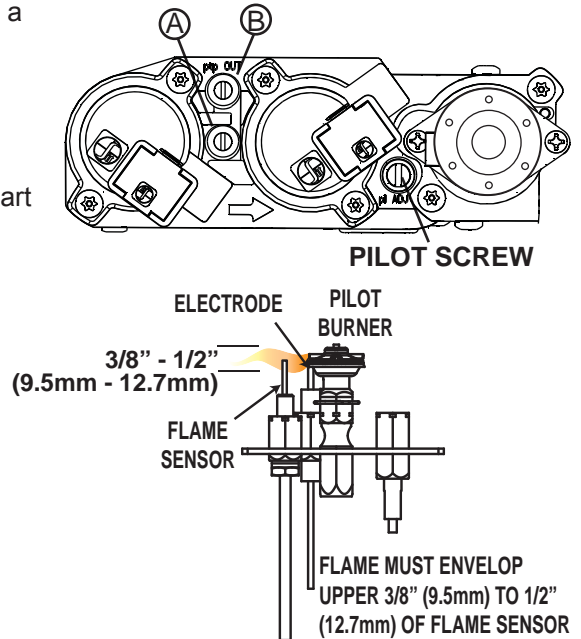
Inlet pressure can be checked by turning screw (A) counter-clockwise 2 or 3 turns and then placing pressure gauge tubing over the test point. Gauge should read as described on the chart below. Check that main burner is operating on "HI".

Outlet pressure can be checked the same as above using screw (B). Gauge should read as described on the chart below. Check that main burner is operating on "HI".

**AFTER TAKING PRESSURE READINGS, BE SURE TO TURN SCREWS CLOCKWISE FIRMLY TO RESEAL. DO NOT OVERTORQUE.**

Leak test with a soap and water solution.

Prior to pilot adjustment, ensure that the pilot assembly has not been painted. If overspray or painting of the pilot assembly has occurred remove the paint from the pilot assembly, or replace. Fine emery cloth or sandpaper can be used to remove the paint from the pilot hood, electrode and flame sensor.



Pressure	Natural Gas (inches)	Natural Gas (millibars)	Propane (inches)	Propane (millibars)
Inlet	7" (MIN. 4.5")	17.4mb (MIN. 11.2mb)	13" (MIN. 11")	32.4mb (MIN. 27.4mb)
Outlet	3.5"	8.7mb	10"	24.9mb

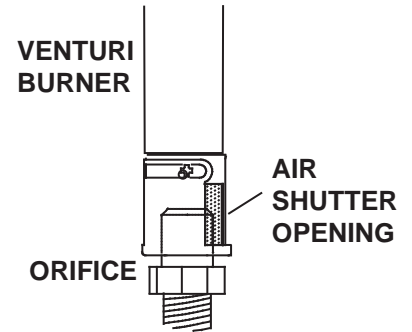
39.1C

### 10.3 VENTURI ADJUSTMENT

This appliance has an air shutter that has been factory set open according to the chart below:

Regardless of venturi orientation, closing the air shutter will cause a more yellow flame, but can lead to carboning. Opening the air shutter will cause a more blue flame, but can cause flame lifting from the burner ports. The flame may not appear yellow immediately; allow 15 to 30 minutes for the final flame colour to be established.

**AIR SHUTTER ADJUSTMENT MUST ONLY BE DONE BY A QUALIFIED INSTALLER!**

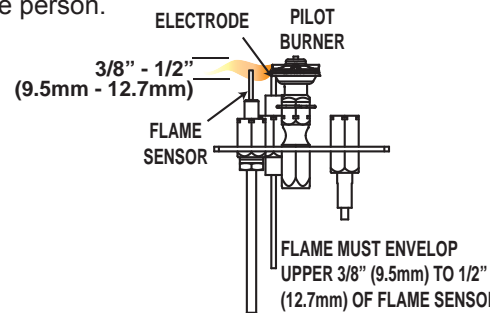


49.1

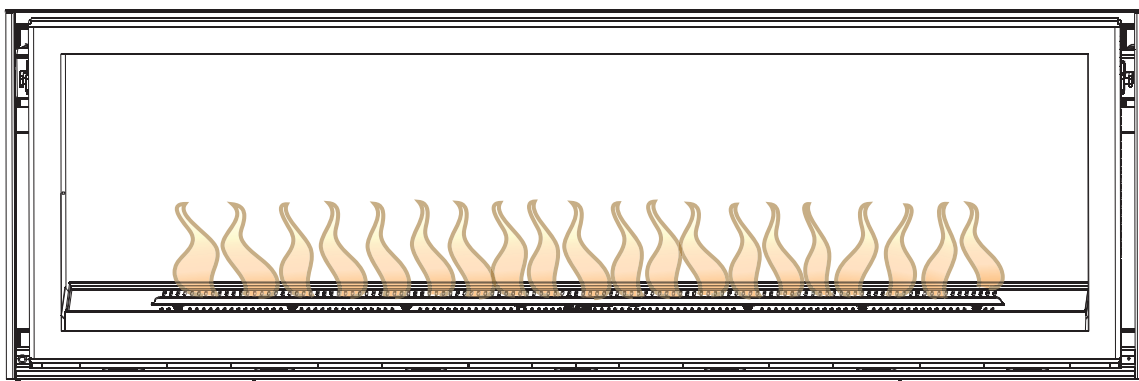
VENTURI ADJUSTMENT CHART	
FUEL	LHD50
NG	1/8" (3mm)
LP	1/4" (6mm)

### 10.4 FLAME CHARACTERISTICS


It's important to periodically perform a visual check of the pilot and burner flames. Compare them to the illustration provided. If any flames appear abnormal call a service person.



54.1B



## 11.0 MAINTENANCE


 <b>WARNING</b>
<b>TURN OFF THE GAS AND ELECTRICAL POWER BEFORE SERVICING THE APPLIANCE.</b>
<b>APPLIANCE MAY BE HOT, DO NOT SERVICE UNTIL APPLIANCE HAS COOLED.</b>
<b>DO NOT USE ABRASIVE CLEANERS.</b>
<b>DO NOT PAINT THE PILOT ASSEMBLY.</b>

**CAUTION:** Label all wires prior to disconnection when servicing controls. Wiring errors can cause improper and dangerous operation. Verify proper operation after servicing. This appliance and its venting system should be inspected before use and at least annually by a qualified service person. The appliance area must be kept clear and free of combustible materials, gasoline or other flammable vapors and liquids. The flow of combustion and ventilation air must not be obstructed.

- A. In order to properly clean the burner and pilot assembly, remove the logs, rocks and/or glass to expose both assemblies.
- B. Keep the control compartment, media, burner, air shutter opening and the area surrounding the logs clean by vacuuming or brushing, at least once a year.
- C. Check to see that all burner ports are burning. Clean out any of the ports which may not be burning or are not burning properly.
- D. Check to see that the pilot flame is large enough to engulf the flame sensor and/or thermocouple / thermopile as well as reaches the burner.
- E. Replace the cleaned logs, rocks or glass. Failure to properly position the media may cause carboning which can be distributed in the surrounding living area.
- F. Check to see that the main burner ignites completely on all openings when turned on. A 5 to 10 second total light-up period is satisfactory. If ignition takes longer, consult your local authorized dealer / distributor.
- G. Check that the gasketing on the sides, top and bottom of the door is not broken or missing. Replace if necessary.
- H. If for any reason the vent air intake system is disassembled, re-install and re-seal per the instructions provided for the initial installation.

40.1

## 11.1 ANNUAL MAINTENANCE

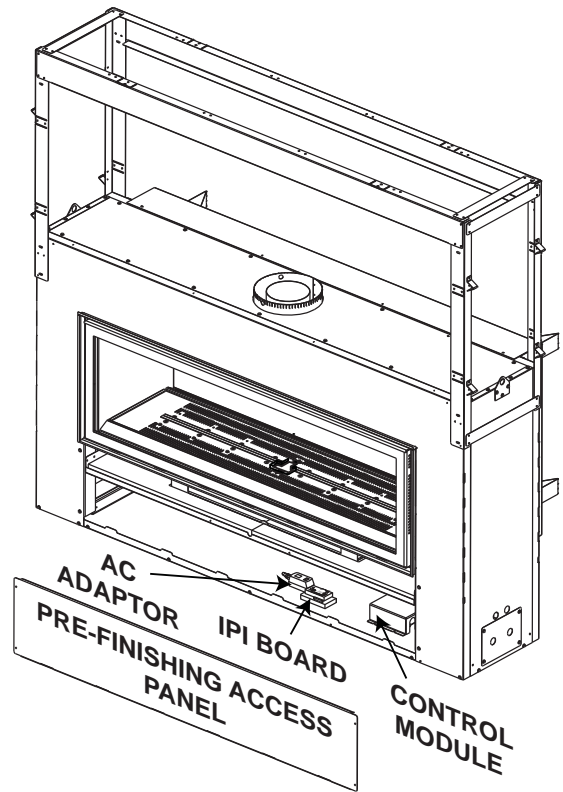
 <b>WARNING</b>
<b>THE FIREBOX BECOMES VERY HOT DURING OPERATION. LET THE APPLIANCE COOL COMPLETELY OR WEAR HEAT RESISTANT GLOVES BEFORE CONDUCTING SERVICE.</b>
<b>NEVER VACUUM HOT EMBERS.</b>
<b>DO NOT PAINT THE PILOT ASSEMBLY.</b>

- This appliance will require maintenance which should be planned on an annual basis.
- Service should include cleaning, battery replacement, venting inspection and inspection of the burner, media and firebox. Refer to the door removal section and remove the door as instructed.
- Carefully remove media if necessary (logs, glass, brick panels etc).
- Using a vacuum with a soft brush attachment, gently remove any dirt, debris or carbon build up from the logs, firebox and burner. For glass media, follow the installation instructions for pre-cleaning.
- Also gently remove any build-up on the pilot assembly including, if equipped; thermopile, thermocouple, flame sensor and igniter. **NOTE: The flame sensor may require to be cleaned with an abrasive, such as a Scotch-Brite pad to remove any oxides. It is important that the pilot assembly is not painted.**
- Inspect all accessible gaskets and replace as required.
- Access the blower, if equipped and clean using a soft brush and vacuum.
- Re-assemble the various components in reverse order.
- Inspect the relief system. The appliance relieves through the main glass door or through the flaps on the firebox top. Ensure they open freely, and close sealed.

37.1A

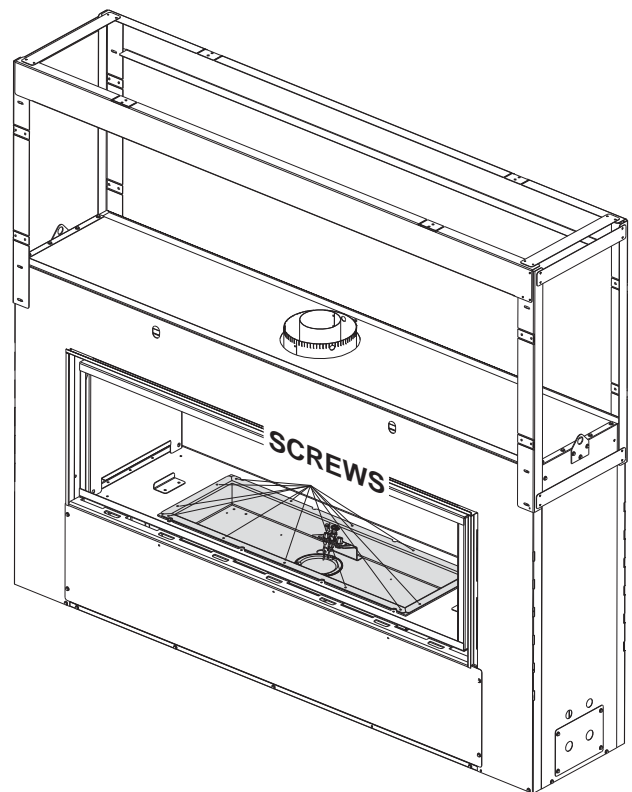
## 11.2 CONTROL ACCESS

Once the appliance has been framed and finished, control access can only be achieved by removing the valve train assembly. See "VALVE TRAIN ASSEMBLY" and "VALVE REMOVAL" sections. The following sub sections take you through the steps of control access as if the appliance is finished.



### 11.3 VALVE TRAIN ASSEMBLY

Remove one of the main doors, see “DOOR REMOVAL / INSTALLATION” section. Remove the media tray, see “BURNER REMOVAL” section. Remove the fourteen screws from the valve train assembly. See “VALVE REMOVAL” section.



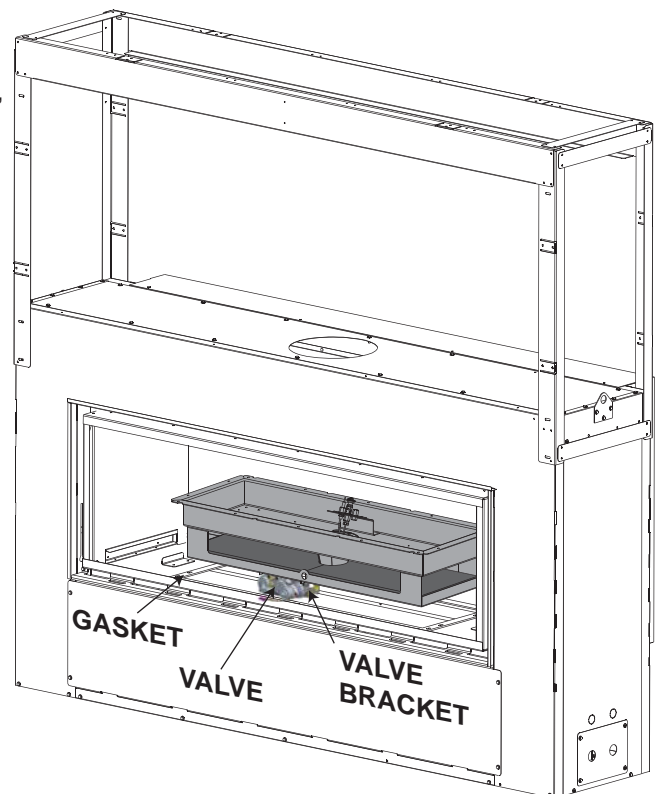
### 11.4 VALVE REMOVAL

- A.** Carefully lift the valve train assembly and turn off the manual shut-off valve, see “VALVE TRAIN ASSEMBLY” and “GAS INSTALLATION” section.

**NOTE:** A new gasket may be required, when re-installing the valve train assembly, contact your local Authorized dealer / distributor.

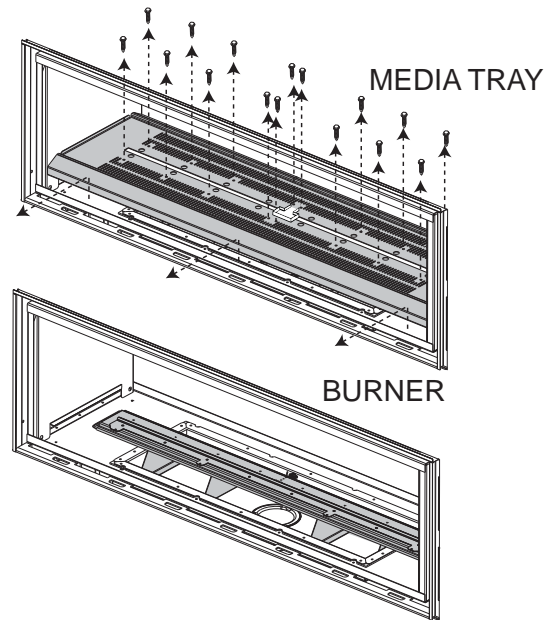
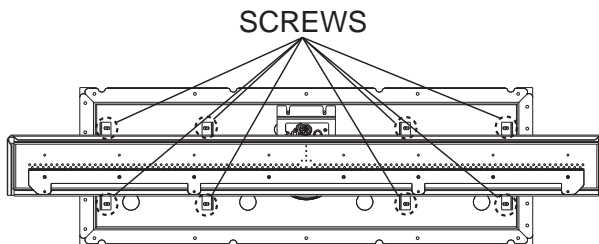
Disconnect the flex connector from the valve. Remove the valve wire connections, labeling each one to aid with re-connection.

- B.** Remove the four screws from the valve bracket and remove the valve.
- C.** Replace all components before returning the appliance to service.
- D.** Check for gas leaks by brushing on a soap and water solution.



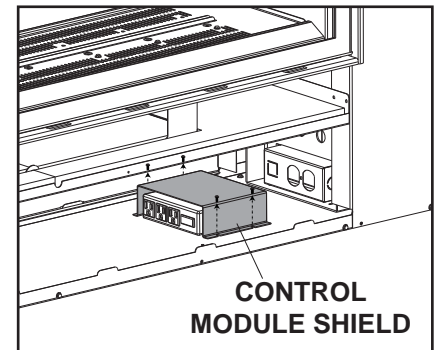
## 11.5 BURNER REMOVAL

- A. Remove the glass door, see “DOOR / REMOVAL INSTALLATION” section.
- B. Remove the 2 screws that secure the pilot shield in place. Lift the pilot shield off the media tray.
- C. Remove the 16 screws (8 per side) that secure the media tray in place. Lift the tray up and out.
- D. Remove the 8 screws that secure the burner in place. Lift the burner up and out.



## 11.6 CONTROL MODULE REMOVAL

- A. Remove the valve train assembly and set aside, see “VALVE TRAIN ASSEMBLY” section. Disconnect the wires to the control module, labeling one end to aid with their re-connection.
- B. Remove the 4 screws holding the control module shield in place.
- C. Remove the 2 screws holding the control module in place, unplug and remove.
- D. Replace and reinstall components.



**NOTE:** Control module ON/OFF switch should always be in the “ON” position. If for any reason the module is turned “OFF”, the components plugged into the module won’t have power.

## 11.7 IPI BOARD AND AC ADAPTOR ACCESS

- A. Remove the valve train assembly and set aside, see “VALVE TRAIN ASSEMBLY” section. Disconnect the wires to the control IPI Board and/or the AC Adaptor, see CONTROL ACCESS” section for components locations.

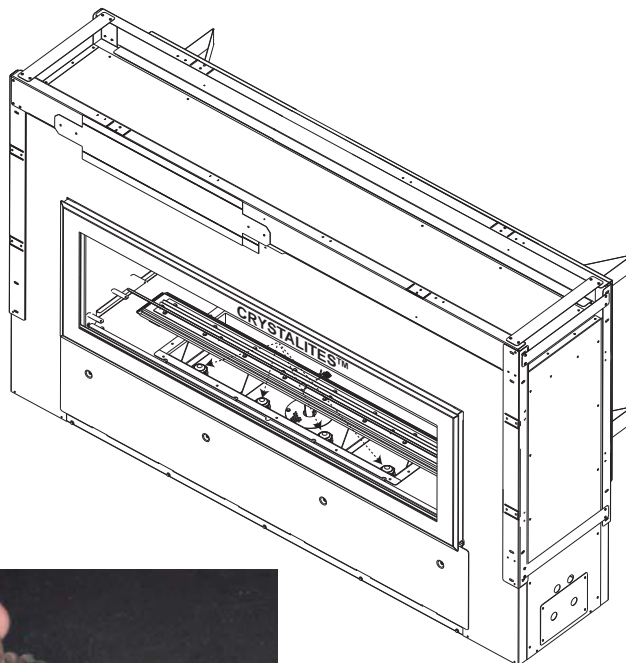
Label one end of each wire to aid with their re-connection.

Components are held in place with velcro. Pull off and replace components as required.

## 11.8 LAMP REPLACEMENT

This appliance comes equipped with our “Crystalites™”. If in the event the lamp needs to be replaced, follow these instructions.

- A. Turn off all electrical supply.
- B. Remove the glass door and media tray from the firebox, see “DOOR REMOVAL / INSTALLATION” and “BURNER REMOVAL” section.
- C. Unscrew the lens cover and lift the lamp straight out. Replace with Wolf Steel Ltd. parts only (W387-0009).
- D. **NOTE: Do not handle the lamp with bare fingers, protect with a clean dry cloth.**
- E. Replace lens cover.
- F. Replace glass door and media tray.



## 11.9 LENS ASSEMBLY REPLACEMENT

### ! WARNING

**THE FRONT OF THE APPLIANCE BECOMES VERY HOT DURING OPERATION. LET THE APPLIANCE COOL COMPLETELY BEFORE CONDUCTING SERVICE.**

- A. Remove the glass and glass ember tray.
- B. Remove the burner base from the firebox.
- C. Compress the retainer fins and lift out the lens assembly. Disconnect the wires.
- D. Replace lens assembly by aligning key hole and snap into place. Re-connect the wires.
- E. Re-install burner base ensuring a good firebox seal.
- F. Re-install glass ember tray and glass.



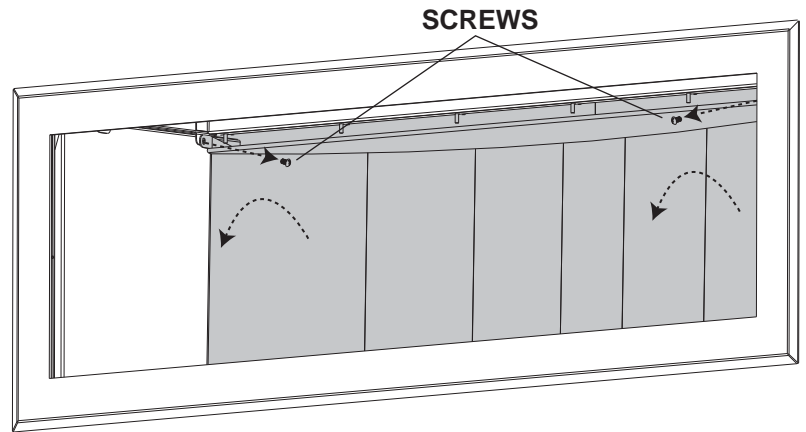
**NOTE: When removing the glass ember tray make sure the glass embers are away from the center of the screen, exposing the burner, before lifting glass ember tray out.**

When replacing burner, absolutely no glass embers can be in cup surrounding the orifice. **HINT: If glass falls into cup and surrounds the orifice, insert a clean bag into a vacuum cleaner and vacuum out glass embers. Replacement glass embers can be ordered from Wolf Steel Ltd.**



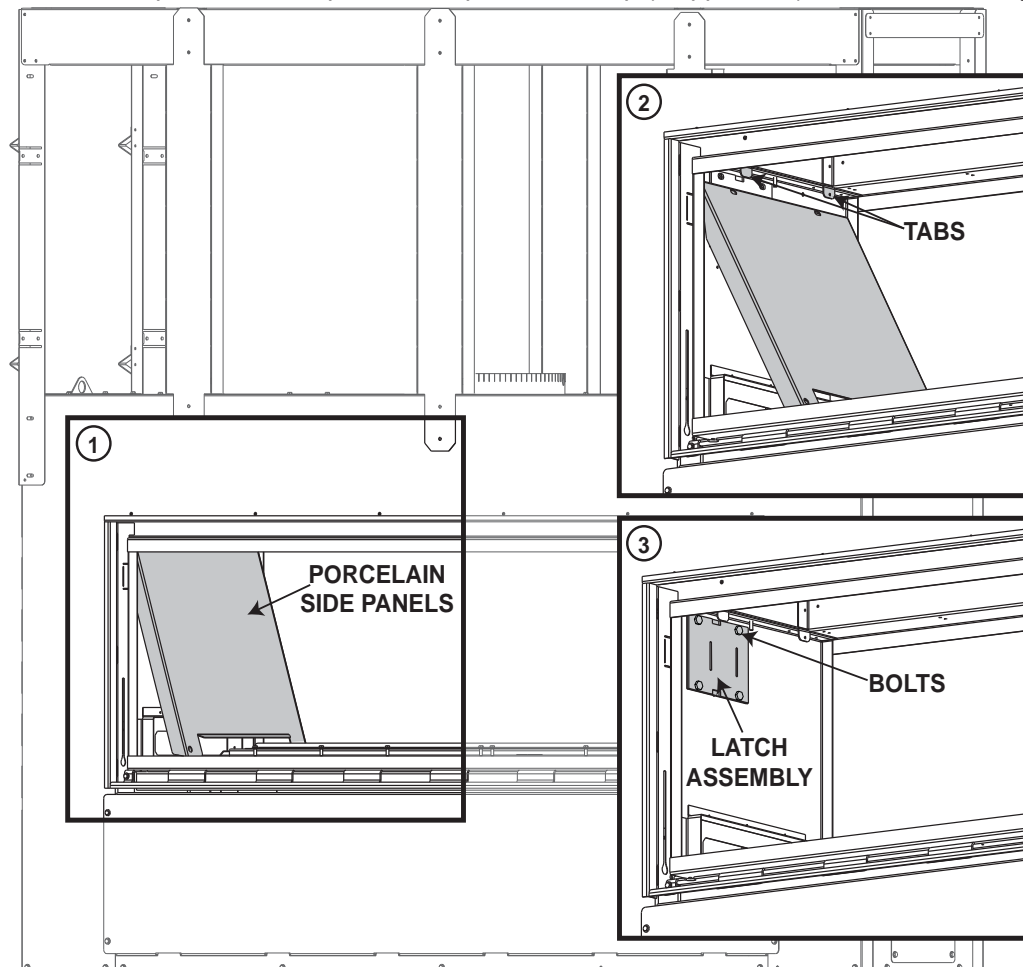
### 11.10 PORCELAIN WRAP

- A. Remove the two screws on either top side of the porcelain wrap.
- B. Tip the wrap forwards and lift out.



### 11.11 DOOR LATCH REPLACEMENT

- A. Remove Media Tray, see "BURNER REMOVAL" section.
- NOTE:** For One Side appliance, the porcelain wrap must be removed prior to media tray.
- B. Remove the porcelain side panels by lifting them from the bottom and sliding them out from the tabs as illustrated.
- C. Remove the 4 bolts and replace the latch assembly. Adjust the tension of the latches to ensure proper door seal.
- NOTE:** Be careful not to tear the latch assembly gasket. Replacement gaskets can be ordered from your local authorized dealer / distributor.
- D. Reinstall the porcelain side panels, the porcelain wrap (if applicable) and the media tray.



## 11.12 GLASS / DOOR REPLACEMENT

EN

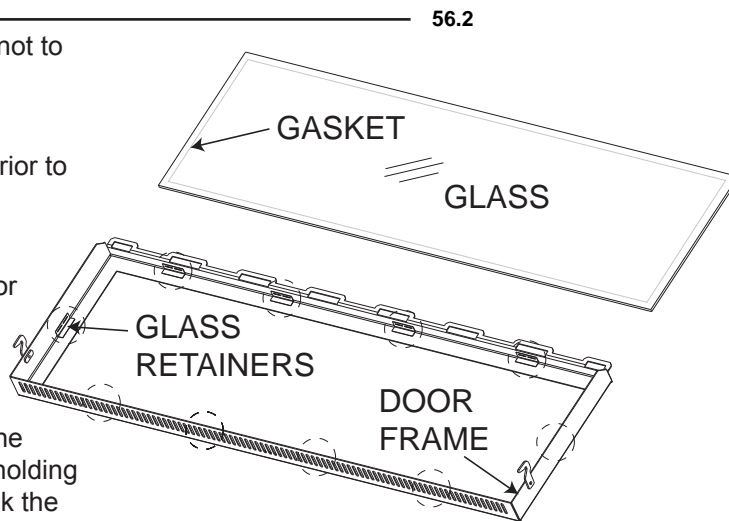
<b>! WARNING</b>
<b>DO NOT USE SUBSTITUTE MATERIALS.</b>
<b>GLASS MAY BE HOT, DO NOT TOUCH GLASS UNTIL COOLED.</b>
<b>CARE MUST BE TAKEN WHEN REMOVING AND DISPOSING OF ANY BROKEN DOOR GLASS OR DAMAGED COMPONENTS. BE SURE TO VACUUM UP ANY BROKEN GLASS FROM INSIDE THE APPLIANCE BEFORE OPERATION.</b>
<b>DO NOT STRIKE, SLAM OR SCRATCH GLASS. DO NOT OPERATE APPLIANCE WITH GLASS REMOVED, CRACKED, BROKEN OR SCRATCHED.</b>

A. Place the door frame face down careful not to scratch the paint.

B. Ensure the glass retainers are bent up prior to replacing the glass and gasket.

C. Center the gasketed glass inside the door frame with the thick side of the gasket facing up.

D. Bend the glass retainers located along the edge of the door frame over the gasket holding the glass in place. Be careful not to break the glass.



56.2

## 11.13 CARE OF GLASS

**DO NOT CLEAN GLASS WHEN HOT! DO NOT USE ABRASIVE CLEANERS TO CLEAN GLASS.**

Buff lightly with a clean dry soft cloth. Clean both sides of the glass after the first 10 hours of operation with a recommended fireplace glass cleaner. Thereafter clean as required. If the glass is not kept clean permanent discoloration and / or blemishes may result.

<b>! WARNING</b>	
	<p><b>HOT GLASS WILL CAUSE BURNS.</b></p> <p><b>DO NOT TOUCH GLASS UNTIL COOLED.</b></p> <p><b>NEVER ALLOW CHILDREN TO TOUCH GLASS.</b></p>

5.1

## 11.14 CARE OF PLATED PARTS

If the appliance is equipped with plated parts, you must clean fingerprints or other marks from the plated surfaces before operating the appliance for the first time. Use a glass cleaner or vinegar and towel to clean. If not cleaned properly before operating for the first time, the marks can cause permanent blemishes on the plating. After the plating is cured, the fingerprints and oils will not affect the finish and little maintenance is required, just wipe clean as needed. Prolonged high temperature burning with the door ajar may cause discoloration on plated parts.

**NOTE:** The protective wrap on plated parts is best removed when the assembly is at room temperature but this can be improved if the assembly is warmed, using a hair dryer or similar heat source.

6.1

## 12.0 REPLACEMENTS

Contact your dealer or the factory for questions concerning prices and policies on replacement parts. Normally all parts can be ordered through your Authorized dealer / distributor.

**FOR WARRANTY REPLACEMENT PARTS, A PHOTOCOPY OF THE ORIGINAL INVOICE WILL BE REQUIRED TO HONOUR THE CLAIM.**

When ordering replacement parts always give the following information:

- Model & Serial Number of appliance
- Installation date of appliance
- Part number
- Description of part
- Finish



\* IDENTIFIES ITEMS WHICH ARE NOT ILLUSTRATED. FOR FURTHER INFORMATION, CONTACT YOUR AUTHORIZED DEALER.

41.1

COMPONENTS		
REF NO.	PART NO.	DESCRIPTION
1	W010-2084	DOOR LATCH ASSEMBLY
2	W725-0056	NATURAL GAS MODULATING ELEC. VALVE
2	W725-0057	PROPANE GAS MODULATING ELEC. VALVE
3	W010-2107	FIRESTOP SPACER ASSEMBLY
4	W010-2240	MAIN DOOR ASSEMBLY (OPERATING)
5*	W010-2241	MAIN DOOR (FIXED)
6*	W385-0334	NAPOLEON® LOGO
7*	W720-0062	PILOT TUBE
8*	W190-0029	IPI IGNITION BOARD
9	W660-0086	SWITCH, FAN CONTROL
10	W660-0104	S-RECEIVER
11*	W707-0006	TRANSFORMER
12	W660-0071	REMOTE TRANSMITTER
13*	W750-0220	WIRE HARNESS GTMFS
14	W010-2885	KEY, LATCH
15*	W290-0135	GASKET, DOOR LATCH
16*	W750-0214	WIRE, 12" GROUND
17*	W750-0192	WIRE, HARNESS IPI BOARD
18*	W500-0491	RESTRICTOR PLATE
19	W010-1865	PILOT ASSEMBLY NG
19	W010-1866	PILOT ASSEMBLY LP
20	W456-0038	#38 NATURAL GAS ORIFICE
20	W456-0053	#53 PROPANE ORIFICE
21	W455-0069	PILOT INJECTOR NG
21	W455-0068	PILOT INJECTOR LP
22	W240-0011	ELECTRODE
23	W245-0025	FLAME SENSOR
24*	W280-0166	FRAME, HEADER
25*	W387-0013	LAMP, 10W BULB
26	W710-0066	MEDIA TRAY
27*	W585-0814	PILOT SHIELD

**NOTE:** Care must be taken when removing and disposing of any broken glass or damaged components. Be sure to vacuum up any broken glass from inside the appliance before operation.

**HORIZONTAL TERMINAL KIT**

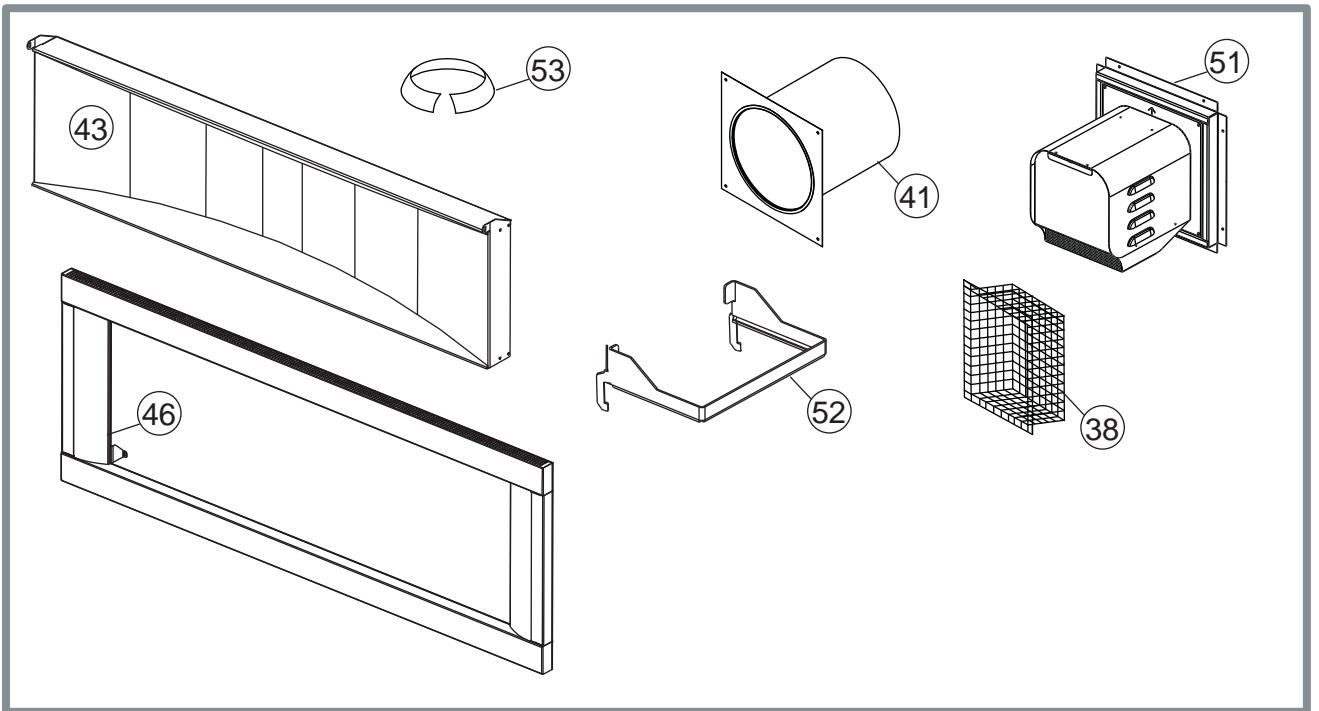
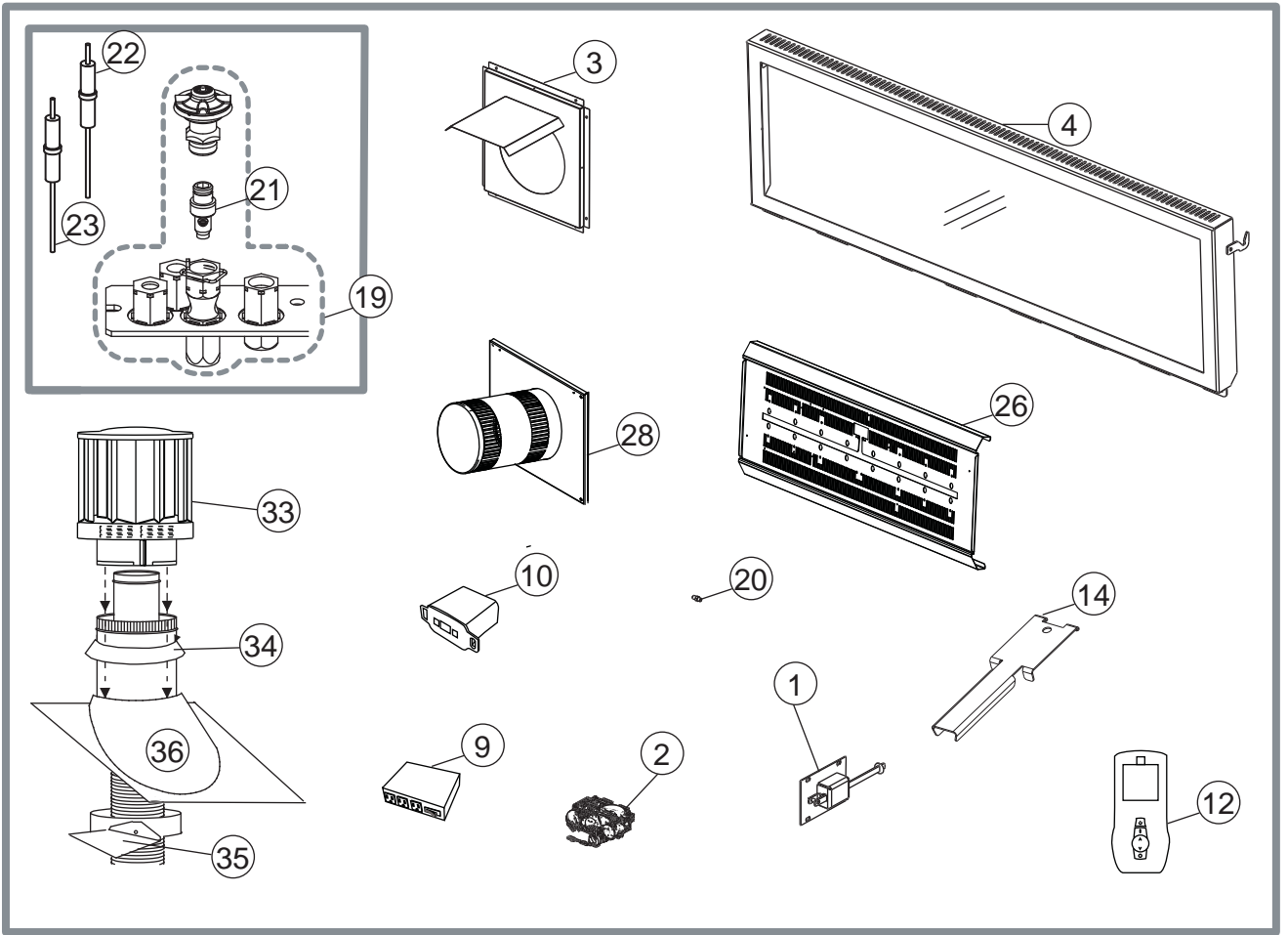
REF NO.	PART NO.	DESCRIPTION
28	GD422R-1	ROUND WALL TERMINAL KIT

**ROOF TERMINAL KITS**

REF NO.	PART NO.	DESCRIPTION
29*	GD410	1/12 TO 7/12 PITCH
30*	GD411	8/12 TO 12/12 PITCH
31*	GD412	FLAT ROOF
32*	W490-0074	5/8 INNER OUTER SLEEVE
33	W670-0007	5/8 AIR TERMINAL
34	W170-0086	STORM COLLAR
35	W010-0453	ROOF SUPPORT
36	W263-0065	ROOF FLASHING - FLAT
	W263-0066	ROOF FLASHING 1/12 - 7/12 PITCH
	W263-0055	ROOF FLASHING 8/12 - 12/12 PITCH

**ACCESSORIES**

REF NO.	PART NO.	DESCRIPTION
37*	W573-0007	HI-TEMP SEALANT
38	GD-501	HEAT GUARD
39*	W010-0370	WALL SUPPORT ASSEMBLY
40*	W175-0196	COUPLER KIT 5/8
41	W585-0092	VENT PIPE SHIELD
42*	MKGK	GLASS EMBERS - BLACK
42*	MKGB	GLASS EMBERS - BLUE
42*	MKGR	GLASS EMBERS - RED
42*	MKGA	GLASS EMBERS - AMBER
43	LHDIW50	ARCHED INLAYS - PORCELAIN WHITE
43	LHDIP50	ARCHED INLAYS - PORCELAIN PEWTER
44*	LHDDT50	DOOR FRAME TRIM - SATIN CHROME
45*	LHDDTB50	BEVELLED DOOR FRAME TRIM
46	LHDSW50	SURROUND - WHITE
46	LHDSP50	SURROUND - PEWTER
46	LHDSK50	SURROUND - BLACK
47*	MEKR	CERAMIC STONES
48*	MEKT	CERAMIC TWIGS
49*	MEKG	GEO SHAPES
50*	MEGK	BLACK GLASS EMBERS
51	GPV	SEE LOCAL AUTHORIZED DEALER / DISTRIBUTOR
52	LHA	SHIPPING HANDLES
53	W170-0086	VENT PIPE COLLAR
54*	W500-0028	FIRESTOP SPACER
55*	W175-0316	CONVERSION KIT LP - NG
55*	W175-0317	CONVERSION KIT NG - LP
56*	RP5	RESTRICTOR PLATE



## 13.0 TROUBLESHOOTING

EN

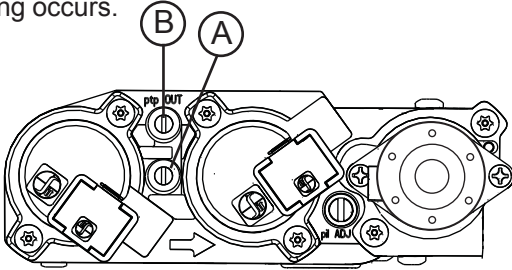
**! WARNING**

**ALWAYS LIGHT THE PILOT WHETHER FOR THE FIRST TIME OR IF THE GAS SUPPLY HAS RAN OUT, WITH THE GLASS DOOR OPEN OR REMOVED.**

**TURN OFF THE GAS AND ELECTRICAL POWER BEFORE SERVICING THE APPLIANCE.**

**APPLIANCE MAY BE HOT, DO NOT SERVICE UNTIL APPLIANCE HAS COOLED.**

**DO NOT USE ABRASIVE CLEANERS.**

SYMPTOM	PROBLEM	TEST SOLUTION															
Remote controls Crystalite / Night light but no spark or flame.	Remote is locked out.	- Reset by turning power source off then on. <b>NOTE: If back up batteries are installed, they must also be removed to re-program.</b>															
Main burner flame is a blue, lazy, transparent flame.	Blockage in vent.	- Remove blockage. In really cold conditions, ice buildup may occur on the terminal and should be removed as required. To minimize this from happening again, it is recommended that the vent lengths that pass through unheated spaces (attics, garages, crawl spaces) be wrapped with an insulated mylar sleeve. Prevent sleeve from sagging. Contact your local authorized dealer for more information.															
	Incorrect installation.	- Refer to "VENTING" section to ensure correct installation.															
Flames are consistently too large or too small. Carboning occurs.	Appliance is over-fired or underfired.	- <b>Check pressure readings:</b> <i>Inlet pressure</i> can be checked by turning screw (A) counter-clockwise 2 or 3 turns and then placing pressure gauge tubing over the test point. Gauge should read as described on the chart below. Check that main burner is operating on 'HI'. <i>Outlet pressure</i> can be checked the same as above using screw (B). Gauge should read as described on the chart below. Check that main burner is operating on 'HI'. <b>AFTER TAKING PRESSURE READINGS, BE SURE TO TURN SCREWS CLOCKWISE FIRMLY TO RESEAL. DO NOT OVER TORQUE.</b> Leak test with a soap and water solution.															
																	
		<table border="1"> <thead> <tr> <th>Pressure</th> <th>Natural Gas (inches)</th> <th>Natural Gas (millibars)</th> <th>Propane (inches)</th> <th>Propane (millibars)</th> </tr> </thead> <tbody> <tr> <td>Inlet</td> <td>7" (MIN. 4.5")</td> <td>17.4mb (MIN. 11.2mb)</td> <td>13" (MIN. 11")</td> <td>32.4mb (MIN. 27.4mb)</td> </tr> <tr> <td>Outlet</td> <td>3.5"</td> <td>8.7mb</td> <td>10"</td> <td>24.9mb</td> </tr> </tbody> </table>	Pressure	Natural Gas (inches)	Natural Gas (millibars)	Propane (inches)	Propane (millibars)	Inlet	7" (MIN. 4.5")	17.4mb (MIN. 11.2mb)	13" (MIN. 11")	32.4mb (MIN. 27.4mb)	Outlet	3.5"	8.7mb	10"	24.9mb
Pressure	Natural Gas (inches)	Natural Gas (millibars)	Propane (inches)	Propane (millibars)													
Inlet	7" (MIN. 4.5")	17.4mb (MIN. 11.2mb)	13" (MIN. 11")	32.4mb (MIN. 27.4mb)													
Outlet	3.5"	8.7mb	10"	24.9mb													
Carbon is being deposited on glass, logs, rocks, media or combustion chamber surfaces.	Air shutter has become blocked. Flame is impinging on the glass, logs, rocks, media or combustion chamber.	- Ensure air shutter opening is free of lint or other obstructions. - Check that the glass, logs, rocks, media are correctly positioned. - Open air shutter to increase the primary air. - Check the input rate: check the manifold pressure and orifice size as specified by the rating plate. - Check that the door gasketing is not broken or missing and that the seal is tight. - Check that both vent liners are free of holes and well sealed at all joints. - Check that minimum rise per foot (meters) has been adhered to for any horizontal venting.															

SYMPTOM	PROBLEM	TEST SOLUTION
White / grey film forms.	Sulphur from fuel is being deposited on glass, logs or combustion chamber surfaces.	<ul style="list-style-type: none"> <li>- Clean the glass with a recommended gas fireplace glass cleaner. <b>DO NOT CLEAN GLASS WHEN HOT.</b></li> <li>- If deposits are not cleaned off regularly, the glass may become permanently marked.</li> </ul>
Exhaust fumes smelled in room, headaches.	Appliance is spilling.	<ul style="list-style-type: none"> <li>- Check door seal.</li> <li>- Check for exhaust damage.</li> <li>- Check that venting is installed correctly.</li> <li>- Room is in negative pressure; increase fresh air supply.</li> </ul>
Pilot will not light. Makes noise with no spark at pilot burner.	Wiring.	<ul style="list-style-type: none"> <li>- Verify the wire for the sensor and the wire for the ignitor are connected to the correct terminals (not reverse) on the module and pilot assembly.</li> </ul>
	Loose connection.	<ul style="list-style-type: none"> <li>- Verify no loose connections, electrical shorts in the wiring or ground out to any metal object.</li> </ul>
	Igniter Spark gap is incorrect.	<ul style="list-style-type: none"> <li>- Spark gap of the ignitor to the pilot should be .125" (3.2mm).</li> </ul>
Pilot will not light. Makes no noise with no spark at pilot burner. Crystalites™ and (optional) blower operates.	A shorted or loose connection.	<ul style="list-style-type: none"> <li>- Remove and reinstall the wiring harness that plugs into the module.</li> <li>- Remove and verify continuity of each wire in the wiring harness.</li> </ul>
	Module is not grounded.	<ul style="list-style-type: none"> <li>- Verify the valve and pilot assemblies are properly grounded to the metal chassis of the fireplace.</li> </ul>
	Ignition box has been locked out.	<p>Choose one of the 4 methods below to reset the system.</p> <ol style="list-style-type: none"> <li>1. To reset ignition box when locked out. Turn off power supply and remove batteries (if used) from the back up battery pack.</li> <li>2. To reset the DFC Board when the board goes into a lock out condition and the LED is blinking 3 times using the transmitter ON/OFF button: <ul style="list-style-type: none"> <li><b>Step 1:</b> Turn the system off by pressing the ON/OFF button to turn the system off.</li> <li><b>Step 2:</b> After approximately 2 seconds press the ON/OFF button on the transmitter again. THE DFC Board will reset and the ignition sequence will start again.</li> </ul> </li> <li>3. To reset the DFC Board when the board goes into a lock out condition and the LED is blinking 3 times by cycling flame: <ul style="list-style-type: none"> <li><b>Step 1:</b> In the manual flame control mode, use the down arrow button to reduce the flame to off, indicated by the word OFF displayed on the trasmitter LCD screen.</li> <li><b>Step 2:</b> Wait approximately 2 seconds and press the up arrow button, the ignition sequence will start.</li> </ul> </li> </ol>
<p><b>NOTE: Starting from OFF, press the ON button on the transmitter. Approximately 4 seconds after the ON/OFF button is pressed the ignition board will start the spark. The first try for ignition will last approximately 60 seconds. If there is no flame ignition (rectification) the board will stop sparking for approximately 35 seconds. After the wait time the board will start the second try for ignition by sparking for approximately 60 seconds. If there is still no positive ignition, the board will go into lock out.</b></p>		

SYMPTOM	PROBLEM	TEST SOLUTION
Pilot sparks but will not light.	Gas supply.	<ul style="list-style-type: none"> <li>- Verify that the incoming gas line ball valve is "Open".</li> <li>- Verify that the inlet pressure reading is within acceptable limits, inlet pressures must not exceed 14" W.C. (34.9mb).</li> </ul>
	Module is not grounded.	<ul style="list-style-type: none"> <li>- Verify the valve and pilot assemblies are properly grounded to the metal chassis of the fireplace.</li> </ul>
	Out of propane gas.	<ul style="list-style-type: none"> <li>- Fill the tank.</li> </ul>
Continues to spark and pilot lights, but main burner will not light.	Short or loose connection in sensor rod.	Verify all connections. Verify the connections from the pilot assembly are tight; also verify these connections are not grounding out to any metal.
	Poor flame rectification or contaminated sensor rod.	<ul style="list-style-type: none"> <li>- Verify the flame is engulfing the sensor rod. This will increase the flame rectification. Verify correct pilot orifice is installed and inlet gas specifications to manual. (Remember, the flame carries the rectification current, not the gas. If the flame lifts from pilot hood, the circuit is broken. A wrong orifice or too high of an inlet pressure can cause the pilot flame to lift.) The sensor rod may need cleaning.</li> </ul>
	Poor grounding between pilot assembly and gas valve.	<ul style="list-style-type: none"> <li>- Verify that the wire harness is firmly connected to module.</li> </ul>
	Damaged pilot or dirty sensor rod.	<ul style="list-style-type: none"> <li>- Verify that the ceramic insulator around the sensor rod is not cracked, damaged, or loose. Verify the connection from the sensor rod to the sensor wire. Clean sensor rod with an emery cloth to remove any contamination that may have accumulated on the sensor rod. Verify continuity with multimeter with ohms set at the lowest range.</li> </ul>
	Pilot has been painted	<ul style="list-style-type: none"> <li>- Using a piece of sandpaper or emery cloth remove the paint from the pilot hood, ignitor and flame sensor.</li> </ul>
Appliance won't perform any functions.	Receiver switch is in the wrong position.	<ul style="list-style-type: none"> <li>- Verify that the 3 position switch on the receiver is in the "REMOTE" position (middle).</li> </ul>
	No power to the system.	<ul style="list-style-type: none"> <li>- Check breaker to verify it's in the "ON" position.</li> </ul>
	Transmitter isn't operational.	<ul style="list-style-type: none"> <li>- Check battery power and battery orientation.</li> </ul>
Night light or (optional) blower won't function	Control module switch is in the wrong position.	<ul style="list-style-type: none"> <li>- Verify ON/OFF switch is in the "I" position which denotes on.</li> </ul>
	COM switch is unplugged.	<ul style="list-style-type: none"> <li>- Verify "COM" switch is plugged into the front of the control module.</li> </ul>



## 14.0 WARRANTY

NAPOLEON® products are manufactured under the strict Standard of the world recognized ISO 9001 : 2008 Quality Assurance Certificate.

NAPOLEON® products are designed with superior components and materials assembled by trained craftsmen who take great pride in their work. The burner and valve assembly are leak and test-fired at a quality test station. The complete appliance is again thoroughly inspected by a qualified technician before packaging to ensure that you, the customer, receives the quality product that you expect from NAPOLEON®.

### NAPOLEON® GAS APPLIANCE PRESIDENT'S LIFETIME LIMITED WARRANTY

The following materials and workmanship in your new NAPOLEON® gas appliance are warranted against defects for as long as you own the appliance. This covers: combustion chamber, heat exchanger, stainless steel burner, phazer™ logs and embers, rocks, ceramic glass (thermal breakage only), gold plated parts against tarnishing, porcelainized enameled components and aluminum extrusion trims.\*

Electrical (110V and millivolt) components and wearable parts such as blowers, gas valves, thermal switch, switches, wiring, remote controls, ignitor, gasketing, and pilot assembly are covered and NAPOLEON® will provide replacement parts free of charge during the first year of the limited warranty.\*

Labour related to warranty repair is covered free of charge during the first year. Repair work, however, requires the prior approval of an authorized company official. Labour costs to the account of NAPOLEON® are based on a predetermined rate schedule and any repair work must be done through an authorized NAPOLEON® dealer.

\* Construction of models vary. Warranty applies only to components included with your specific appliance.

### CONDITIONS AND LIMITATIONS

NAPOLEON® warrants its products against manufacturing defects to the original purchaser only. Registering your warranty is not necessary. Simply provide your proof of purchase along with the model and serial number to make a warranty claim. NAPOLEON® reserves the right to have its representative inspect any product or part thereof prior to honouring any warranty claim. Provided that the purchase was made through an authorized NAPOLEON® dealer your appliance is subject to the following conditions and limitations:

Warranty coverage begins on the date of original installation.

This factory warranty is non-transferable and may not be extended whatsoever by any of our representatives.

The gas appliance must be installed by a licensed, authorized service technician or contractor. Installation must be done in accordance with the installation instructions included with the product and all local and national building and fire codes.

This limited warranty does not cover damages caused by misuse, lack of maintenance, accident, alterations, abuse or neglect and parts installed from other manufacturers will nullify this warranty.

This limited warranty further does not cover any scratches, dents, corrosion or discoloring caused by excessive heat, abrasive and chemical cleaners nor chipping on porcelain enamel parts, mechanical breakage of PHAZER™ logs and embers.

This warranty extends to the repair or replacement of warranted parts which are defective in material or workmanship provided that the product has been operated in accordance with the operation instructions and under normal conditions.

After the first year, with respect to this President's Lifetime Limited Warranty, NAPOLEON® may, at its discretion, fully discharge all obligations with respect to this warranty by refunding to the original warranted purchaser the wholesale price of any warranted but defective part(s).

NAPOLEON® will not be responsible for installation, labour or any other expenses related to the reinstallation of a warranted part and such expenses are not covered by this warranty.

Notwithstanding any provisions contained in the President's Lifetime Limited Warranty, NAPOLEON'S responsibility under this warranty is defined as above and it shall not in any event extend to any incidental, consequential or indirect damages.

This warranty defines the obligations and liability of NAPOLEON® with respect to the NAPOLEON® gas appliance and any other warranties expressed or implied with respect to this product, its components or accessories are excluded.

NAPOLEON® neither assumes, nor authorizes any third party to assume, on its behalf, any other liabilities with respect to the sale of this product.

NAPOLEON® will not be responsible for: over-firing, downdrafts, spillage caused by environmental conditions such as rooftops, buildings, nearby trees, hills, mountains, inadequate vents or ventilation, excessive venting configurations, insufficient makeup air, or negative air pressures which may or may not be caused by mechanical systems such as exhaust fans, furnaces, clothes dryers, etc.

Any damages to the appliance, combustion chamber, heat exchanger, plated trim or other components due to water, weather damage, long periods of dampness, condensation, damaging chemicals or cleaners will not be the responsibility of NAPOLEON®.

All parts replaced under the President's Limited Lifetime Warranty Policy are subject to a single claim.

During the first 10 years NAPOLEON® will replace or repair the defective parts covered by the lifetime warranty at our discretion free of charge. From 10 years to life, NAPOLEON® will provide replacement parts at 50% of the current retail price.

All parts replaced under the warranty will be covered for a period of 90 days from the date of their installation.

The manufacturer may require that defective parts or products be returned or that digital pictures be provided to support the claim. Returned products are to be shipped prepaid to the manufacturer for investigation. If a product is found to be defective, the manufacturer will repair or replace such defect.

Before shipping your appliance or defective components, your dealer must obtain an authorization number. Any merchandise shipped without authorization will be refused and returned to sender.

Shipping costs are not covered under this warranty.

Additional service fees may apply if you are seeking warranty service from a dealer.

Warranty labour allowance is only for the replacement of the warranted part. Travel, diagnostic tests, shipping and other related charges are not covered by this warranty.

ALL SPECIFICATIONS AND DESIGNS ARE SUBJECT TO CHANGE WITHOUT PRIOR NOTICE DUE TO ON-GOING PRODUCT IMPROVEMENTS. NAPOLEON® IS A REGISTERED TRADEMARK OF WOLF STEEL LTD.

AS REQUIRED BY THE DEPARTMENT OF ENERGY IN THE UNITED STATES, 10 CFR PART 430, THE WARRANTY IS VOID IF THIS PRODUCT IS USED WITH A THERMOSTAT. THIS APPLIES TO PRODUCT INSTALLED IN THE UNITED STATES, ONLY.

# 15.0 SERVICE HISTORY

## Appliance Service History

This heater must be serviced annually depending on usage.

Date	Dealer Name	Service Technician Name	Service Performed	Special Concerns



Other Napoleon Products



Fireplace Inserts • Charcoal Grills • Gas Fireplaces • Waterfalls • Wood Stoves  
Heating & Cooling • Electric Fireplaces • Outdoor Fireplaces • Gourmet Grills



24 Napoleon Road, Barrie, Ontario, Canada L4M 0G8  
214 Bayview Drive, Barrie, Ontario, Canada L4N 4Y8  
103 Miller Drive, Crittenden, Kentucky, USA 41030  
7200 Trans Canada Highway, Montreal, Quebec, Canada H4T 1A3

Fireplaces / Heating & Cooling call: 705-721-1212 • Grills call: 705-726-4278  
napoleonproducts.com

INSTALLATEUR : LAISSEZ CE MANUEL AVEC L'APPAREIL.  
PROPRIÉTAIRE : CONSERVEZ CE MANUEL POUR CONSULTATION ULTÉRIEURE.  
NE LAISSEZ PAS LES ENFANTS OU AUTRES INDIVIDUS À RISQUE SEULS À PROXIMITÉ DE L'APPAREIL.



# INSTRUCTIONS D'INSTALLATION ET D'OPÉRATION

FR

HOMOLOGUÉ SELON LES NORMES NATIONALES CANADIENNES ET AMÉRICAINES : ANSI Z21.50 • CSA 2.22 POUR LES FOYERS À GAZ VENTILÉS.

CERTIFIÉ POUR LE CANADA ET LES ÉTATS-UNIS SELON LES MÉTHODES ANSI/CSA.

## CONSIGNES DE SÉCURITÉ

### **AVERTISSEMENT**

Si ces instructions ne sont pas suivies à la lettre, un incendie ou une explosion pourraient s'ensuivre, causant des dommages matériels, des blessures corporelles ou des pertes de vie.

- N'entreposez pas et n'utilisez pas d'essence ou autres liquides et vapeurs inflammables à proximité de cet appareil ou tout autre appareil.
- QUE FAIRE SI VOUS DÉTECTEZ UNE ODEUR DE GAZ :
  - N'allumez aucun appareil.
  - Ne touchez à aucun interrupteur électrique; n'utilisez aucun téléphone dans votre immeuble.
  - Appelez immédiatement votre fournisseur de gaz d'un téléphone voisin. Suivez ses instructions.
  - Si vous ne pouvez pas rejoindre votre fournisseur de gaz, appelez le service des incendies.
- L'installation et l'entretien doivent être faits par un installateur qualifié, une agence d'entretien ou le fournisseur.

Cet appareil peut être installé dans une maison préfabriquée (mobile) déjà installée à demeure si les règlements locaux le permettent.

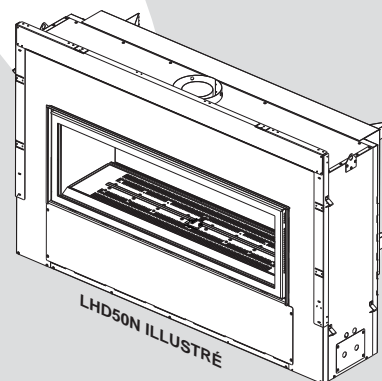
Cet appareil doit être utilisé uniquement avec le type de gaz indiqué sur la plaque signalétique. Cet appareil ne peut être converti à d'autres gaz, sauf si une trousse de conversion est utilisée.

Produit décoratif : Ne pas utiliser comme appareil de chauffage.



**LHD50N**  
**LHD50N2**  
GAZ NATUREL

**LHD50P**  
**LHD50P2**  
PROPANE



### **AVERTISSEMENT**

LA VITRE CHAUDE CAUSERA  
DES BRÛLURES.

NE PAS TOUCHER LA VITRE  
AVANT QU'ELLE AIT REFROIDI.

NE JAMAIS LAISSER LES  
ENFANTS TOUCHER LA VITRE



Wolf Steel Ltd., 24 Napoleon Rd., Barrie, ON, L4M 0G8 Canada /  
103 Miller Drive, Crittenden, Kentucky, USA, 41030

Téléphone 705-721-1212 • Télécopieur 705-722-6031 • [www.napoleonfoyers.com](http://www.napoleonfoyers.com) • [ask@napoleon.on.ca](mailto:ask@napoleon.on.ca)

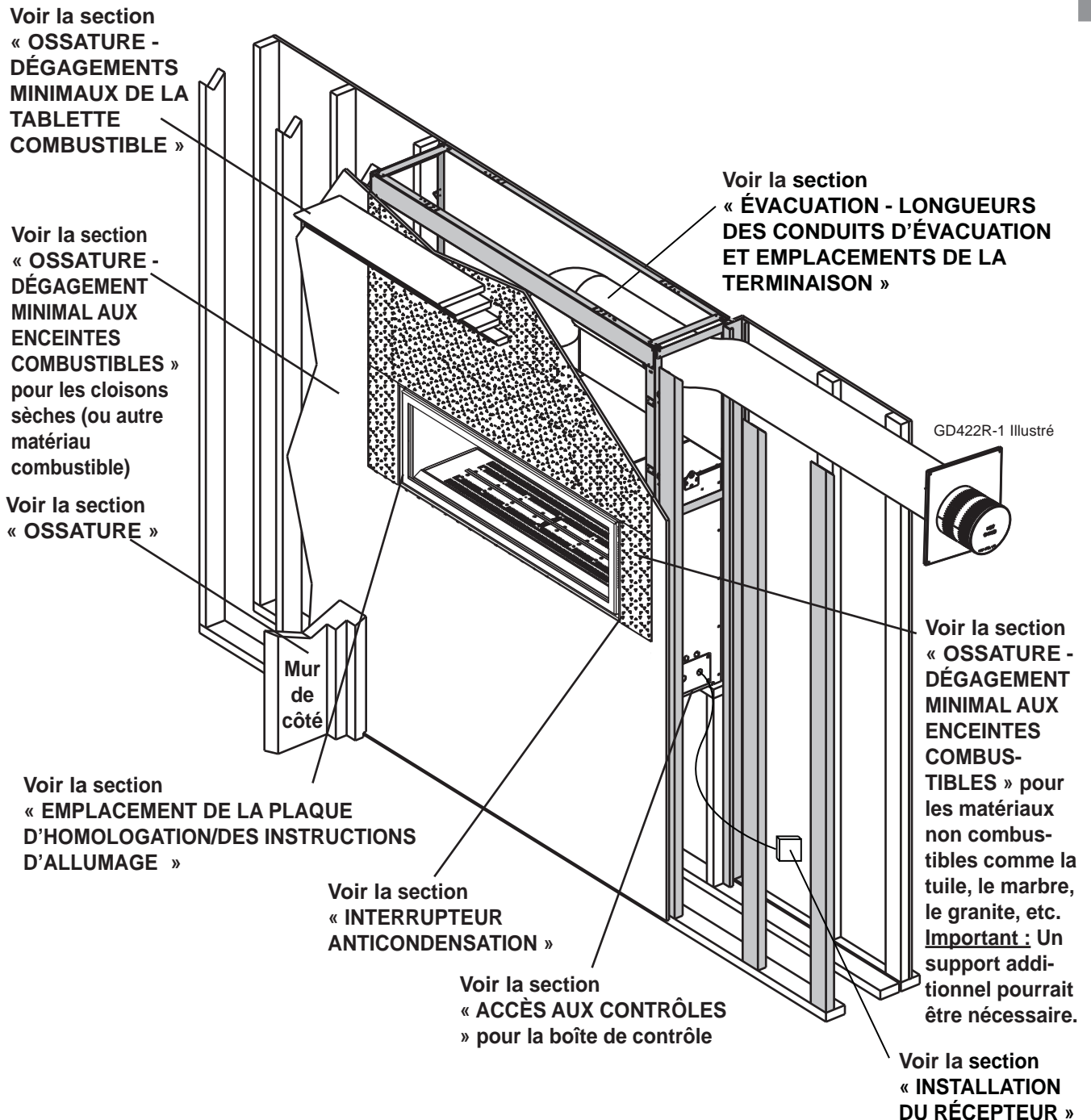
# TABLE DES MATIÈRES

<b>1.0</b>	<b>SURVOL DE L'INSTALLATION</b>	<b>71</b>
<b>2.0</b>	<b>INTRODUCTION</b>	<b>72</b>
2.1	DIMENSIONS	73
2.2	INSTRUCTIONS GÉNÉRALES	74
2.3	INFORMATIONS GÉNÉRALES	75
2.4	EMPLACEMENT DE LA PLAQUE D'HOMOLOGATION/ DES INSTRUCTIONS D'ALLUMAGE	76
2.5	POIGNÉES DE TRANSPORT	77
<b>3.0</b>	<b>ÉVACUATION</b>	<b>77</b>
3.1	LONGUEURS DES CONDUITS D'ÉVACUATION ET COMPOSANTS POUR UNE ÉVACUATION DIRECTE	78
3.2	INSTALLATIONS TYPIQUES D'ÉVÉNEMENTS	79
3.3	INSTALLATIONS PARTICULIÈRES D'ÉVÉNEMENTS	80
3.3.1	ENSEMBLE PÉRISCOPIQUE	80
3.4	EMPLACEMENTS ET DÉGAGEMENTS MINIMAUX DE LA TERMINAISON	81
3.5	CHARTRE D'APPLICATION DES ÉVACUATIONS	82
3.6	DÉFINITIONS	82
3.7	VALEURS DU COUDE EN LONGUEUR D'ÉVÉNEMENT	82
3.8	TERMINAISON HORIZONTALE	83
3.9	TERMINAISON VERTICALE	85
<b>4.0</b>	<b>INSTALLATION</b>	<b>87</b>
4.1	PROTECTION DU MUR ET DU PLAFOND	87
4.1.1	INSTALLATION HORIZONTALE	88
4.1.2	INSTALLATION VERTICALE	88
4.2	UTILISATION DE COMPOSANTS FLEXIBLES D'ÉVACUATION	89
4.2.1	INSTALLATION DE LA TERMINAISON HORIZONTALE	89
4.2.2	INSTALLATION DE LA TERMINAISON VERTICALE	90
4.2.3	RACCORDEMENT DES ÉVÉNEMENTS À L'APPAREIL	91
4.3	INSTALLATION DANS UNE MAISON MOBILE	91
4.4	BRANCHEMENT DU GAZ	92
<b>5.0</b>	<b>OSSATURE</b>	<b>93</b>
5.1	APPAREIL BINAIRE	95
5.2	APPAREIL À FACE UNIQUE	97
5.3	DÉGAGEMENT MINIMAL AUX ENCEINTES COMBUSTIBLES	99
5.4	INSTALLATION DU MATÉRIEL INCOMBUSTIBLE	102
5.5	DÉGAGEMENTS MINIMAUX DE LA TABLETTE COMBUSTIBLE	104
<b>6.0</b>	<b>FINITIONS</b>	<b>105</b>
6.1	INSTALLATION/ENLÈVEMENT DE LA PORTE	105
6.2	BRAISES VITRIFIÉES	107
6.3	EMPLACEMENT DES ROCHES OPTIONNELLES	108
6.4	MISE EN PLACE DU LOGO	108
6.5	INSTALLATIONS UNIQUES	108
<b>7.0</b>	<b>BRANCHEMENT ÉLECTRIQUE</b>	<b>109</b>
7.1	BRANCHEMENT PAR CÂBLE	109
7.2	SCHÉMA DE CÂBLAGE DU RÉCEPTACLE	110
7.3	INSTALLATION DU RÉCEPTEUR	110
7.4	SCHÉMA	111
<b>8.0</b>	<b>FONCTIONNEMENT</b>	<b>112</b>
8.1	DESSIN GÉNÉRAL DE LA TÉLÉCOMMANDE	112
8.2	FONCTIONNEMENT DE L'APPAREIL	112
8.3	FONCTIONNEMENT DE LA TÉLÉCOMMANDE	113
8.4	AFFICHEUR DE TEMPÉRATURE	113
8.5	THERMOSTAT DE PIÈCE	113
8.6	THERMOSTAT SMART	113
8.7	HAUTEUR DE LA FLAMME	114
8.8	FONCTION DE SÉCURITÉ POUR ENFANTS	114
8.9	CRYSTALITES <sup>MC</sup>	114
8.10	PILES FAIBLES / DÉRIVATION MANUELLE	115
8.11	EN CAS DE PANNE DE COURANT	115
8.12	MODULE DE CONTRÔLE	115
8.13	INTERRUPTEUR ANTICONDENSATION	116
8.14	MINUTERIE DE SOUFFLERIE	116
<b>9.0</b>	<b>INSTRUCTIONS DE FONCTIONNEMENT</b>	<b>117</b>
<b>10.0</b>	<b>RÉGLAGES</b>	<b>118</b>
10.1	ÉTRANGLEMENTS DES ÉVÉNEMENTS VERTICAUX	118
10.2	RÉGLAGE DE LA VEILLEUSE	118
10.3	RÉGLAGE DU VENTURI	119
10.4	CARACTÉRISTIQUES DE LA FLAMME	119
<b>11.0</b>	<b>ENTRETIEN</b>	<b>120</b>
11.1	ENTRETIEN ANNUEL	120
11.2	ACCÈS AUX CONTRÔLES	121
11.3	ASSEMBLAGE DE LA SOUPAPE	122
11.4	ENLÈVEMENT DE LA SOUPAPE	122
11.5	ENLÈVEMENT DU BRÛLEUR	123
11.6	ENLÈVEMENT DU MODULE DE CONTRÔLE	123
11.7	ACCÈS À LA CARTE DE CIRCUITS IMPRIMÉS IPI ET À L'ADAPTEUR C.A.	123
11.8	REMPLACEMENT DE L'AMPOULE	124
11.9	REMPLACEMENT DE L'ENSEMBLE DE LENTILLES	124
11.10	ENLÈVEMENT DU PANNEAU RÉFLECTEUR DE PORCELAIN EN FORME DE PRISME	125
11.11	AJUSTEMENT DES LOQUETS DE PORTE	125

**NOTE :** Les changements autres que de nature éditoriale sont dénotés par une ligne verticale dans la marge.

11.12	REEMPLACEMENT DE LA VITRE/PORTE	126
11.13	SOINS DE LA VITRE	126
11.14	SOINS DES PIÈCES PLAQUÉES	126
12.0	RECHANGES	127
13.0	GUIDE DE DÉPANNAGE	130
14.0	GARANTIE	133
15.0	HISTORIQUE D'ENTRETIEN	134
16.0	NOTES	135

## 1.0 SURVOL DE L'INSTALLATION



## 2.0 INTRODUCTION

FR

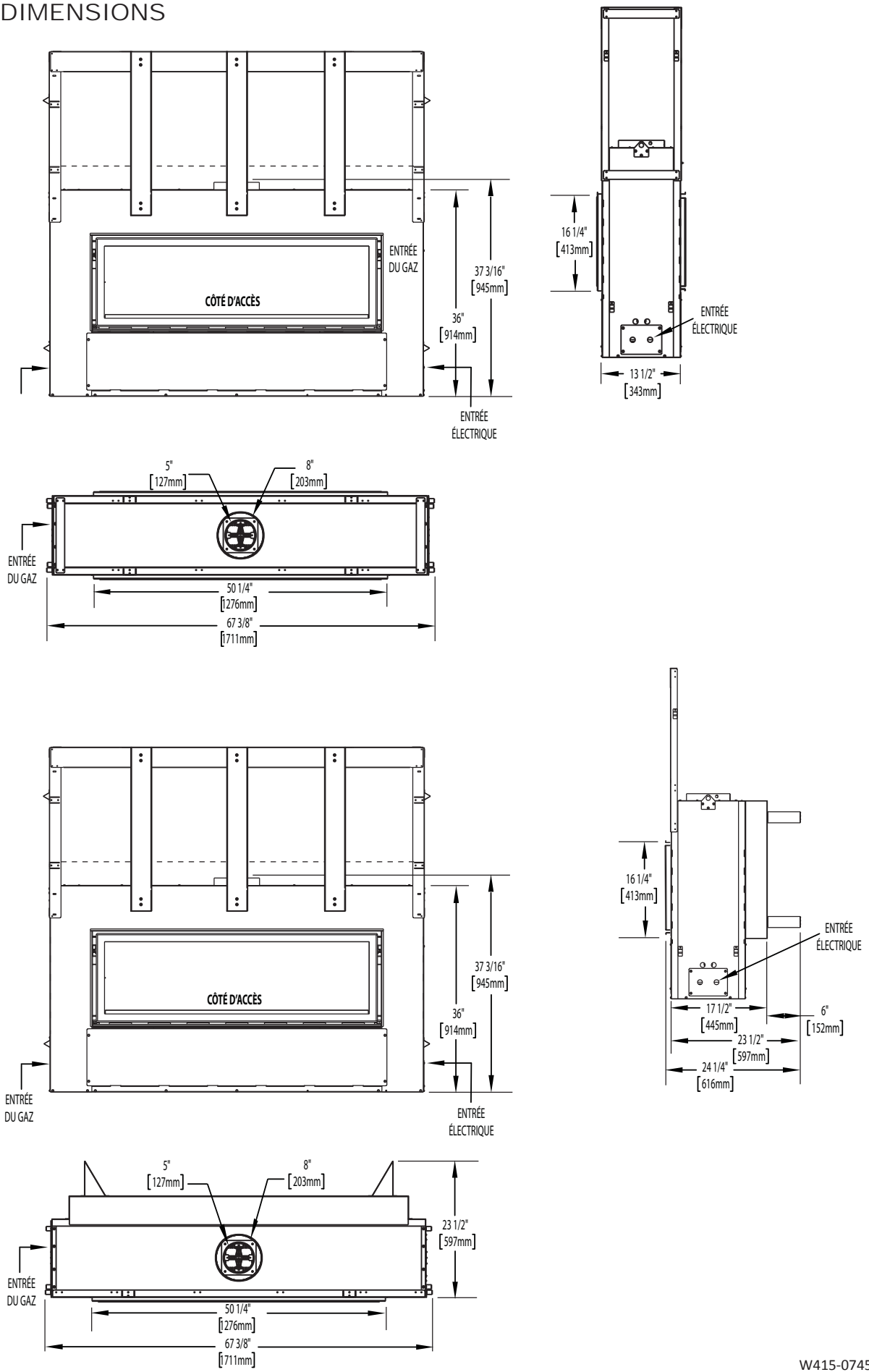
## ! AVERTISSEMENT

- **CET APPAREIL EST CHAUD LORSQU'IL FONCTIONNE ET PEUT CAUSER DE GRAVES BRÛLURES EN CAS DE CONTACT.**
- **TOUTE MODIFICATION APPORTÉE À CET APPAREIL OU AUX CONTRÔLES PEUT ÊTRE DANGEREUX ET EST INTERDIT.**
- Ne faites pas fonctionner l'appareil avant d'avoir lu et compris les instructions d'opération. Omettre d'utiliser l'appareil selon les instructions d'opération pourrait causer un incendie ou des blessures.
- Risque d'incendie ou d'asphyxie. Ne faites pas fonctionner l'appareil avec la vitre retirée.
- Ne branchez pas la soupape à du courant 110 volts.
- Risque de brûlures. L'appareil doit être éteint et refroidi avant d'effectuer un entretien.
- N'installez pas de composants endommagés ou incomplets ni des composants substitués.
- Risque de coupures et d'éraflures. Portez des gants protecteurs et des lunettes de sécurité lors de l'installation. Les bordures des pièces de métal peuvent être coupantes.
- Ne brûlez pas de bois ou autres matériaux dans cet appareil.
- Les enfants et les adultes devraient être informés des dangers que posent les températures de surface élevées et se tenir à distance afin d'éviter des brûlures ou que leurs vêtements ne s'enflamment.
- Les jeunes enfants doivent être surveillés attentivement lorsqu'ils sont dans la même pièce que l'appareil. Les jeunes enfants et autres personnes à risque sont sujets aux brûlures accidentelles. Une barrière de protection est recommandée si des individus à risque se trouvent dans la maison. Afin de restreindre l'accès à l'appareil, installez une barrière de protection ajustable pour garder les jeunes enfants ou autres personnes à risque hors de la pièce et loin des surfaces chaudes.
- Les vêtements et autres matériaux combustibles ne doivent pas être posés sur l'appareil ou à proximité.
- En raison des températures élevées, l'appareil devrait être placé loin des endroits passants et loin des meubles et des rideaux.
- Assurez-vous de disposer de mesures de sécurité adéquates pour empêcher les jeunes enfants de toucher aux surfaces chaudes.
- Même une fois que l'appareil est éteint, la vitre et/ou le pare-étincelles demeureront chauds pendant un temps prolongé.
- Consultez votre détaillant local de foyer pour connaître les grillages de sécurité et les écrans offerts pour protéger les enfants des surfaces chaudes. Ces grillages de sécurité et ces écrans doivent être fixés au plancher.
- Les grillages de sécurité ou écrans enlevés pour faire l'entretien devront être remis en place avant d'utiliser l'appareil.
- Cet appareil est un appareil à gaz ventilé. Ne brûlez pas de bois ou autres matériaux dans cet appareil.
- Il est primordial de garder propres les compartiments de contrôle, les brûleurs, la soufflerie, les bouches d'air de l'appareil ainsi que le système d'évacuation. L'appareil et son système d'évacuation doivent être inspectés avant la première utilisation et au moins une fois l'an par un spécialiste en entretien. Un entretien plus fréquent pourrait être nécessaire en raison des peluches provenant des tapis, literie, etc. L'emplacement de l'appareil doit être gardé libre de tous matériaux combustibles, essence ou autres liquides et vapeurs inflammables.
- Cet appareil ne devra être modifié en aucun cas.
- Cet appareil ne doit pas être raccordé au conduit d'une cheminée desservant un autre appareil de chauffage à combustible solide.
- N'utilisez pas cet appareil si une partie quelconque a été submergée. Contactez immédiatement un technicien de service qualifié pour inspecter l'appareil et pour remplacer toute pièce du système de contrôle et du contrôle du gaz qui aurait été submergée.
- Ne pas opérer l'appareil lorsque la porte vitrée est enlevée, fissurée ou brisée. Le remplacement de la vitre devra être effectué par un technicien de service certifié ou qualifié.
- Ne frappez pas et ne claquez pas la porte vitrée de l'appareil.
- Les portes d'évacuation de pression doivent demeurer fermées pendant le fonctionnement de l'appareil afin d'empêcher les gaz de combustion contenant du monoxyde de carbone de s'infiltrer dans la maison. La température des gaz de combustion s'échappant par ces ouvertures peut aussi causer les matériaux combustibles avoisinants à surchauffer et à prendre feu.
- Seules les portes/façades certifiées pour cet appareil peuvent être utilisées avec cet appareil.
- Gardez les matériaux d'emballage hors de la portée des enfants et mettez ces matériaux au rebut de façon sécuritaire. Comme tous les emballages de plastique, ces matériaux ne sont pas des jouets et doivent demeurer hors de la portée des enfants et des bébés.
- Comme dans le cas de tout appareil à combustion, il est recommandé de faire inspecter et entretenir votre appareil régulièrement. De même, installez un détecteur de monoxyde de carbone dans la pièce pour vous protéger, ainsi que votre famille, contre les intoxications.
- Assurez-vous de respecter les dégagements aux matériaux combustibles lorsque vous installez un manteau ou des tablettes au-dessus de l'appareil. Les températures élevées sur le mur ou de l'air au-dessus de l'appareil peuvent faire fondre, décolorer ou endommager les décorations, les téléviseurs ou autres composants électroniques.

3.2B



2.1 DIMENSIONS



FR

## 2.2 INSTRUCTIONS GÉNÉRALES

**AVERTISSEMENT**

**ALLUMEZ TOUJOURS LA VEILLEUSE, QUE CE SOIT POUR LA PREMIÈRE FOIS OU LORSQUE L'APPROVISIONNEMENT EN GAZ EST ÉPUISÉ, AVEC LA PORTE VITRÉE OUVERTE OU RETIRÉE.**

**PRÉVOYEZ UN ACCÈS SUFFISANT POUR ENTREtenir ET OPÉRER L'APPAREIL.  
ASSUREZ-VOUS D'UNE QUANTITÉ SUFFISANTE D'AIR DE VENTILATION.**

**N'OBSTRUEZ JAMAIS L'OUVERTURE DE L'APPAREIL.**

**LES OBJETS PLACÉS DEVANT L'APPAREIL DOIVENT ÊTRE GARDÉS À UNE DISTANCE D'AU MOINS 48" (1219.2mm) DE LA FACE VITRÉE DE L'APPAREIL.**

**LES SURFACES AUTOUR ET SURTOUT AU-DESSUS DE L'APPAREIL PEUVENT DEVENIR CHAUDES. NE TOUCHEZ PAS L'APPAREIL QUAND IL FONCTIONNE.**

**RISQUE D'INCENDIE OU D'EXPLOSION.**

**LES PRESSIONS ÉLEVÉES ENDOMMAGERONT LA SOUPE. L'ALIMENTATION EN GAZ DOIT ÊTRE DÉBRANCHÉE PENDANT LES ESSAIS DE PRESSION DE CE SYSTÈME LORSQUE LES PRESSIONS D'ESSAI EXCÈDENT ½ LB/PO<sup>2</sup> (3,5 KPA). FERMEZ LA SOUPE D'ARRÊT MANUELLE PENDANT TOUT ESSAI DE PRESSION DU SYSTÈME D'ALIMENTATION EN GAZ LORSQUE LA PRESSION EST DE ½ LB/PO<sup>2</sup> (3,5 mb) OU MOINS.**

**N'UTILISEZ QUE LES ACCESSOIRES OPTIONNELS ET LES PIÈCES DE RECHANGE APPROUVÉS PAR WOLF STEEL POUR CET APPAREIL. L'UTILISATION D'ACCESSOIRES NON LISTÉS (SOUFFLERIE, PORTES, PER-SIENNES, MOULURES, COMPOSANTS DE GAZ, COMPOSANTS D'ÉVACUATION, ETC.) POURRAIT ÊTRE NON SÉCURITAIRE ET ANNULERA LA GARANTIE ET LA CERTIFICATION.**

**CET APPAREIL AU GAZ DEVRAIT ÊTRE INSTALLÉ ET ENTRETENU PAR UN INSTALLATEUR QUALIFIÉ** en se conformant aux codes locaux. Les pratiques d'installation peuvent varier d'une région à l'autre. Il est donc important de connaître les normes spécifiques qui s'appliquent à votre région. Par exemple dans l'état du Massachusetts:

- Ce produit doit être installé par un plombier certifié ou un installateur pour le gaz lorsque installé dans le Commonwealth du Massachusetts.
- Le registre de l'appareil doit être enlevé ou bloqué en le soudant en position ouverte avant d'installer un encastré ou un ensemble de bûches à gaz.
- La soupape d'arrêt doit être un robinet à gaz avec une poignée en T.
- Le raccord flexible ne doit pas mesurer plus que 36 pouces (914.4mm).
- Un détecteur de monoxyde de carbone est requis dans toutes les pièces contenant des appareils alimentés au gaz.
- L'appareil n'est pas approuvé pour installation dans une chambre à coucher ou une salle de bain à moins d'être un appareil avec une chambre de combustion scellée à évacuation directe.

L'installation doit se conformer aux codes locaux. En l'absence de codes locaux, l'installation doit être conforme au Code d'installation du gaz naturel et du propane CSA B149.1 au Canada ou au National Fuel Gas Code, ANSI Z223.1/ NFPA 54 aux États-Unis. Cet appareil convient pour installation dans une maison mobile si l'installation est conforme aux normes actuelles pour les maisons mobiles équipées au gaz CAN/CSA Z240 SÉRIE MM au Canada ou selon les normes ANSI Z223.1 et NFPA 54 aux États-Unis.

Tant que les distances requises pour les dégagements aux matériaux combustibles sont respectées, le meilleur endroit pour un appareil est le centre de la maison, car ceci permet une meilleure utilisation de la chaleur fournie. L'emplacement des fenêtres, des portes et la circulation dans la pièce où se trouve l'appareil devront être pris en considération. Si possible, vous devriez choisir un emplacement où le système d'évent peut passer à travers la maison sans avoir à découper des solives de plancher ou de toit.

Si l'appareil est installé directement sur un tapis, sur une surface de vinyle ou tout autre revêtement de plancher combustible autre que le bois, l'appareil devra être monté sur un panneau continu de métal ou de bois se prolongeant sur toute la largeur et la profondeur.

Certains appareils ont une soufflerie ou un ensemble de deux souffleries optionnel. Si la soufflerie ou l'ensemble de deux souffleries optionnel est installé, la boîte de dérivation doit être branchée au circuit électrique et mise à la terre conformément aux codes locaux. Utilisez la version courante du Code canadien de l'électricité CSA C22.1 au Canada ou le National Electrical Code ANSI/NFPA 70 aux États-Unis.

**NATIONAL  
FIREPLACE  
INSTITUTE**



**CERTIFIED**

[www.nficertified.org](http://www.nficertified.org)

Nous suggérons que nos appareils au gaz soient installés et que l'entretien soit effectué par des professionnels certifiés par le National Fireplace Institute® (NFI) comme spécialiste du gaz NFI.

## 2.3 INFORMATIONS GÉNÉRALES

**POUR VOTRE SATISFACTION, CET APPAREIL A ÉTÉ MIS À L'ESSAI POUR CONFIRMER SON FONCTIONNEMENT ET SA QUALITÉ!**

LHD50		
	GN	PL
ALTITUDE (PI)	0-4 500	0-4 500
DÉBIT MAX. (BTU/H)	30 000	30 000
REND. MAX. (BTU/H)	24 000	24 000
EFFICACITÉ	79 %	79 %
PRESSION MINIMALE D'ALIMENTATION EN GAZ	4,5" (11mb) de colonne d'eau	11" (27mb) de colonne d'eau
PRESSION MAXIMALE D'ALIMENTATION EN GAZ	7" (17mb) de colonne d'eau	13" (32mb) de colonne d'eau
PRESSION AU COLLECTEUR (lorsque le gaz circule)	3,5" (9mb) de colonne d'eau	10" (25mb) de colonne d'eau

Lorsque l'appareil est installé à des élévations dépassant 4 500 pieds (1372m), et en l'absence de recommandations spécifiques de l'autorité compétente locale, l'indice certifié du débit à haute altitude devra être réduit au taux de 4 % pour chaque 1 000 pieds (305m) supplémentaires. Les bruits causés par l'expansion et la contraction lors des cycles de chauffage et de refroidissement sont tout à fait normaux et il faut s'y attendre. Le changement de l'apparence de la flamme de « HI » à « LO » est plus apparent pour le gaz naturel que pour le propane.

Cet appareil est approuvé pour installation dans les salles de bain, les chambres à coucher ou les chambres studio et est homologué pour installation dans les maisons mobiles.

**Cet appareil ne doit fonctionner qu'avec le gaz spécifié sur la plaque d'homologation. Cet appareil ne peut être converti à un autre type de gaz à moins d'utiliser un ensemble de conversion certifié.**

Deux commutateurs contrôlent l'appareil. L'un sur le récepteur, qui doit être placé en position du milieu. L'autre se trouve sur le module de contrôle et doit être placé en position « I », qui indique que l'appareil est en marche. Si ces commutateurs ne sont pas dans ces positions, l'appareil ne fonctionnera pas. Voir les sections « INSTALLATION DU RÉCEPTEUR » et « MODULE DE CONTRÔLE ».

**NOTE : L'emballage de protection sur les pièces plaquées s'enlève mieux lorsque l'assemblage est à température ambiante ou lorsqu'il est chauffé avec un séchoir à cheveux ou une autre source de chaleur similaire.**

Cet appareil est équipé d'un système de commande à distance qui requiert l'installation de piles (fournies). La télécommande nécessite trois piles « AAA » et, en cas de panne de courant, le récepteur nécessite quatre piles « AA ».

2.4 EMBLACEMENT DE LA PLAQUE D'HOMOLOGATION/ DES INSTRUCTIONS D'ALLUMAGE

**! AVERTISSEMENT**

**LAISSEZ L'APPAREIL REFROIDIR AVANT DE PROCÉDER À L'ENTRETIEN OU AU NETTOYAGE.**

La plaque d'homologation et les instructions d'allumage sont fixées à une chaînette et insérées dans une fente du côté gauche de l'appareil (côté d'accès). Il est recommandé de retirer la porte avant d'enlever les instructions. À l'aide de vos doigts ou d'un outil tel qu'un tournevis ou un crayon, tirez doucement les deux chaînettes vers vous. Lorsque la chaînette se trouve complètement à l'extrémité de la fente, faites sortir la plaque d'homologation en prenant soin de ne pas déchirer les instructions.

Pour replacer, faites glisser les instructions et la chaînette dans la fente et rattachez la porte (si elle a été retirée).

**KEEP BURNER AND CONTROL COMPARTMENT CLEAN. SEE INSTALLATION AND OPERATING INSTRUCTIONS MANUAL. APPLIANCE NEEDS FRESH AIR FOR SAFE OPERATION AND MUST BE INSTALLED WITH ADEQUATE PROVISIONS FOR COMBUSTION AND VENTILATION AIR.**

**WARNING:**  
IMPROPER INSTALLATION, ADJUSTMENT, ALTERATION, SERVICE OR MAINTENANCE CAN CAUSE PROPERTY DAMAGE, PERSONAL INJURY OR LOSS OF LIFE. REFER TO OWNER'S MANUAL. INSTALLATION AND SERVICE MUST BE PERFORMED BY A QUALIFIED INSTALLER, SERVICE AGENCY OR THE GAS SUPPLIER.

**ATTENTION:**  
UN INSTALLATION OU UNE MODIFICATION INAPPROPRIÉE DU RÉGLAGE, DU SERVICE ET DE L'ENTRETIEN POURRAIENT ÊTRE LA CAUSE DE DOMMAGES À LA PROPRIÉTÉ DE BLESSURES CORPORELLES OU MÊME LA MORT. CONSULTER LE MANUEL D'INFORMATION, L'INSTALLATION ET LE SERVICE DOIVENT ÊTRE EXÉCUTÉS PAR UN INSTALLATEUR QUALIFIÉ POUR LE AZ, UNE ENTREPRISE DE SERVICE OU LE FOURNISSEUR DE GAZ SEULEMENT.

**CAUTION:**  
HOT WHILE OPERATING. DO NOT TOUCH. KEEP CHILDREN, CLOTHING, FURNITURE, GASOLINE OR OTHER FLAMMABLE VAPORS AWAY.

**AVERTISSEMENT:**  
L'APPAREIL EST CHAUD PENDANT SON FONCTIONNEMENT. LES ENFANTS, LES VÊTEMENTS, LES MEUBLES, L'ESSENCE ET AUTRES LIQUIDES QUI ÉMETTENT DES GAZ VOLATILS INFLAMMABLES DOIVENT ÊTRE TENUS ÉLOIGNÉS DE L'APPAREIL.

\*This appliance is only for use with the type(s) of gas indicated on the rating plate and may be installed in an aftermarket, permanently located, manufactured home (USA only) or mobile home, where not prohibited by local codes. See owner's manual for details. This appliance is supplied with a conversion kit.

«Cet appareil doit être utilisé uniquement avec les types de gaz indiqués sur la plaque signalétique et peut être installé dans une maison préfabriquée (É.-U. seulement) ou mobile installée à demeure si les règlements locaux le permettent. Voir la notice de l'utilisateur pour plus de renseignements. Une trousse de conversion est fournie avec l'appareil.»

**FOR YOUR SAFETY:**  
DO NOT STORE OR USE GASOLINE OR OTHER FLAMMABLE VAPORS AND LIQUIDS IN VICINITY OF THIS OR ANY OTHER APPLIANCE.

**CAUTION: DO NOT OPERATE THE FIREPLACE WITH THE GLASS REMOVED, CRACKED OR BROKEN. REPLACEMENT OF THE GLASS SHOULD BE DONE BY A LICENSED OR QUALIFIED PERSON.**

**SECURITE:**  
NE PAS ENTREPOSER NI UTILISER D'ESSENCE NI D'AUTRES VAPEURS OU LIQUIDES INFLAMMABLES DANS LE VOISINAGE DE CET APPAREIL OU DE TOUT AUTRE APPAREIL.

**AVERTISSEMENT: NE PAS UTILISER L'APPAREIL SI LE PANNneau FRONTAL EN VERRE N'EST PAS EN PLACE. EST CRAQUE OU BRISÉ. CONFIEZ LE REMPLACEMENT DU PANNneau À UN TECHNICIEN AGREÉ.**

**GARDEZ LE BRULEUR ET LE COMPARTIMENT DES CONTROLES PROPRES. CONSULTEZ LE MANUEL D'INFORMATION ET D'INSTALLATION. PAR MESURE DE SECURITE, CET APPAREIL DOIT ETRE ALIMENTE EN AIR FRAIS ET AVEC SUFFISAMT D'AIR COMBURANT ET DE VENTILATION.**

**NOT FOR USE WITH SOLID FUEL. FOR USE WITH GLASS DOORS CERTIFIED WITH THIS UNIT ONLY.**

**WARNING: DO NOT ADD ANY MATERIAL TO THE APPLIANCE, WHICH WILL COME IN CONTACT WITH THE FLAMES, OTHER THAN THAT SUPPLIED BY THE MANUFACTURER WITH THE APPLIANCE. MINIMUM CLEARANCE TO COMBUSTIBLE MATERIALS:**

TOP: 0"  
FLOOR RECESS: 0"  
FRONT: 0"  
FACE MATERIALS: 0"  
SPICES: 0"  
BACK: 0"  
VENT TOP: 0"  
VENT SIDES: 0"  
VERTICAL VER: 18"  
MANTLE: 18"

TOP SIDES & BACK: SEE OWNER'S MANUAL FOR FRAMING MATERIALS. FOR FINISH MATERIALS, SEE OWNER'S MANUAL.  
\*MAXIMUM HORIZONTAL EXTENSION / L'EXTENSION HORIZONTALE MAXIMALE: 2". SEE INSTRUCTION MANUAL FOR GREATER EXTENSIONS. SEE OWNER'S INSTRUCTION MANUAL FOR MINIMUM AND MAXIMUM VENT LENGTHS.

**ELECTRICAL RATING: 115V, 60HZ, LESS THAN 12 AMPERES**

**WOLF STEEL LTD.**  
24 NAPOLEON ROAD, BARRIE, ON, L4M 0G8 CANADA SERIAL NUMBER/NO. DE SERIE: LH50

**CERTIFIED UNDER / HOMOLOGUE SELON LES NORMES ANSIS Z21.505-2009 / CSA 2.220-2009 VENTED GAS FIREPLACE / FOYER À GAZ VENTILE. VENTED GAS FIREPLACE. APPROVED FOR BEDROOM BATHROOM AND BATHROOM INSTALLATION. SUITABLE FOR MOBILE HOME INSTALLATION IF INSTALLED IN ACCORDANCE WITH THE CURRENT STANDARD CANESA Z400H SERIES GAS EQUIPPED HOMES, PERMITTED BY THE UNITED STATES THE MANUFACTURED HOME CONSTRUCTION AND SAFETY STANDARD, TITLE 24 CFR, PART 3280. WHEN THIS US STANDARD IS NOT APPLICABLE USE THE STANDARD FOR FIRE SAFETY CRITERIA FOR MANUFACTURED HOME INSTALLATIONS, SITES AND COMMUNITIES, ANSIS / NFPA 501A, FOYER DE CHAUFFAGE AU GAZ AVEC ENCLOSURE HOMOLOGUEE POUR L'INSTALLATION DANS UNE CHAMBRE À COUCHER, UNE SALLE DE BAIN ET UN STUDIO. APPROPRIÉ POUR L'INSTALLATION DANS UNE MAISON MOBILE SI SON INSTALLATION CONFORME AUX EXIGENCES DES NORMES ANSIS Z400H SERIES DE MAISONS MOBILES EQUIPEES AU GAZ, EN VIGUEUR AU CANADA OUAUX ETATS-UNIS DE LA NORME DE SECURITE ET DE CONSTRUCTION DES MAISONS MANUFACTURIERE TITRE 24 CFR, SECTION 3280. DANS LE CAS OU CETTE NORME D'ETATS-UNIS NE PEUT ETRE APPLIQUEE, SE REFERER A LA NORME RELATIVE AU SYSTEME DE MAISON MOBILE MANUFACTURIERE ANSIS / NFPA 501A.**

**REFERENCE # 161746**  
THIS APPLIANCE MUST BE INSTALLED IN ACCORDANCE WITH LOCAL CODES, IF ANY. IF NONE, FOLLOW THE CURRENT ANSIS Z221.1 OR CSA B149. INSTALLATION CODES. INSTALLER L'APPAREIL SELON LES CODES OU REGLEMENTS LOCAUX, OU L'ÉQUIVALENTS, SELON LES CODES D'INSTALLATION ANSIS Z221.1 OU CSA B149. INSTALLATION CODES. INSTALLER L'APPAREIL SELON LES CODES OU REGLEMENTS LOCAUX, S'ILS EXISTENT.

**MODEL NATURAL GAS / GAZ NATUREL MODEL PROPANE / PROPANE MODELE**

LH50N  CLHDS0N  CLHDS0P  LHD50P

HEIGHT / HAUTEUR 66.49" / 1692 mm  
DEPTH / PROFondeUR 35.00" / 889 mm  
WIDTH / LARGEUR 35.00" / 889 mm  
REDUCED INPUT / ALIMENTATION REDUITE 20,000 BTU/H  
MANIFOLD PRESSURE / PRESSION AU COLLECTEUR 10" WATER COLUMN / DUNE COLONNE D'EAU  
MINIMUM SUPPLY PRESSURE / PRESSION D'ALIMENTATION MINIMALE 10" WATER COLUMN / DUNE COLONNE D'EAU  
MAXIMUM SUPPLY PRESSURE / PRESSION D'ALIMENTATION MAXIMALE 12" WATER COLUMN / DUNE COLONNE D'EAU

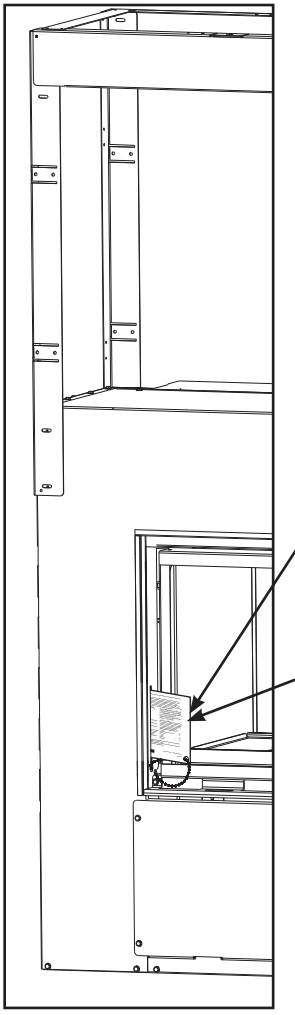
ALTITUDE / ELEVATION 0-4500 FT (0-1370M)  
INPUT ALIMENTATION 20,000 BTU/H  
MANIFOLD PRESSURE / PRESSION AU COLLECTEUR 10" WATER COLUMN / DUNE COLONNE D'EAU  
MINIMUM SUPPLY PRESSURE / PRESSION D'ALIMENTATION MINIMALE 10" WATER COLUMN / DUNE COLONNE D'EAU  
MAXIMUM SUPPLY PRESSURE / PRESSION D'ALIMENTATION MAXIMALE 12" WATER COLUMN / DUNE COLONNE D'EAU

66.49"  
35.00"  
35.00"

THIS APPLIANCE MUST BE VENTED USING THE APPROPRIATE MANIFOLD VENT KITS. SEE OWNER'S INSTALLATION MANUAL FOR VENTING SPECIFICS. PROPER REINSTALLATION AND RE-ALIGNING IS NECESSARY AFTER SERVICING THE VENT AIR INTAKE SYSTEM.  
L'APPAREIL DOIT ÊTRE VENTILÉ EN SE servant D'ENSEMBLES D'ÉVACUATION PROPRE À NAPOLEON. RÉFÉREZ AU MANUEL D'INSTALLATION DE PROPRIÉTAIRE POUR L'ÉVACUATION PROPRE. IL EST IMPORTANT DE BIEN REINSTALLER ET RE-SCELLER LE VENT APRES AVOIR ASSURE LE MAINTIEN DU SYSTEME DE PRISE D'AIR.  
PRODUIT DÉCORATIF: NE PAS UTILISER COMME APPAREIL DE CHAUFFAGE.

UN COMBUSTIBLE SOLIDE NE DOIT PAS ÊTRE UTILISÉ AVEC CET APPAREIL. UTILISER AVEC LES PORTES VITRÉES HOMOLOGUÉES SEULEMENT AVEC CETTE UNITÉ.  
AVERTISSEMENT: N'AJOUTEZ PAS À CET APPAREIL AUCUN MATÉRIEL DEVIANT ENTRER EN CONTACT AVEC LES FLAMMES AUTRES QUE CELUI QUI EST FOURNI AVEC CET APPAREIL PAR LE FABRICANT.  
MATERIAUX COMBUSTIBLES:  
DESSUS 0"  
PLANCHER 0"  
PROFONDEUR DE L'ENCLAVE FACE UNIQUE 23.75"  
PROFONDEUR DE L'ENCLAVE BINAIRE 13.5"  
OSSATURE (MATÉRIEL DE FAÇADE NON COMPRIS) 0"  
COTES 0"  
ARRIÈRE 3"  
DESSUS DU CONDUIT D'ÉVENT 0"  
COTES ET DESSUS DU CONDUIT D'ÉVENT 2"  
CONDUIT D'ÉVENT VERTICAL 18"

**SPECIFICATIONS ÉLECTRIQUES: 115 V, 60 HZ, MOINS DE 12 AMPÈRES.** W835-0448 / F



**INSTALLATEUR :** Vous êtes responsable de cocher les cases appropriées sur la plaque d'homologation selon le modèle, l'évacuation et le type de gaz de l'appareil.

Cette illustration est à titre de référence seulement. Consultez la plaque d'homologation pour obtenir l'information précise.

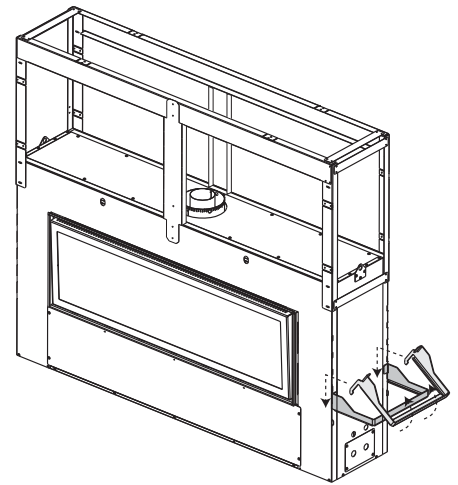
**NOTE:** La plaque d'homologation doit rester avec l'appareil à tout le temps. Il ne doit pas être enlevé.

## 2.5 POIGNÉES DE TRANSPORT

### **IMPORTANT**

Cet appareil y compris tous ses accessoires pèse 300 lb.

- A. Soulevez et fixez l'ensemble d'ossature. Pour les instructions, consultez la section traitant de l'ossature en acier.
- B. Insérez les poignées de transport (non fournies) en plaçant les crochets dans les fentes désirées de chaque côté de l'appareil et en soulevant pour fixer.
- C. Retirez les poignées lorsque l'appareil est dans son emplacement final. Utilisez les supports de transport pour fixer la base de l'appareil.



FR

## 3.0 ÉVACUATION

### **! AVERTISSEMENT**

**RISQUE D'INCENDIE. CONSERVEZ LES DÉGAGEMENTS NÉCESSAIRES AU CONDUIT D'ÉVENT ET À L'APPAREIL.**

**SI LE SYSTÈME D'ÉVENT EST FOURNI AVEC DES ESPACEURS, LES COURSES HORIZONTALES ET VERTICALES DU SYSTÈME DOIVENT ÊTRE SUPPORTÉES À TOUS LES 3 PI (0,9m). UTILISEZ DES SUPPORTS OU DES ATTACHES INCOMBUSTIBLES ÉQUIVALENTS AFIN DE MAINTENIR LE DÉGAGEMENT AUX MATÉRIAUX COMBUSTIBLES. UTILISEZ L'ENSEMBLE DE SUPPORT MURAL WOLF STEEL W010-0370 OU DES SUPPORTS INCOMBUSTIBLES ÉQUIVALENTS AFIN DE CONSERVER LE DÉGAGEMENT MINIMAL AUX MATÉRIAUX COMBUSTIBLES POUR LES COURSES VERTICALES ET HORIZONTALES. DES ESPACEURS SONT FIXÉS AU CONDUIT INTÉRIEUR À INTERVALLES PRÉDÉTERMINÉS AFIN DE GARDER UN ESPACE VIDE AVEC LE CONDUIT EXTÉRIEUR. POUR QUE LE FONCTIONNEMENT SOIT SÉCURITAIRE, UN ESPACE VIDE EST REQUIS. UN ESPACEUR EST REQUIS AU DÉBUT, AU MILIEU ET À LA FIN DE CHAQUE COUDE AFIN DE MAINTENIR CET ESPACE VIDE. N'ENLEVEZ PAS CES ESPACEURS.**

**CET APPAREIL UTILISE UN SYSTÈME DE CONDUITS DE 5" (127MM) POUR L'ÉVACUATION ET DE 8" (203,2MM) POUR LA PRISE D'AIR.**

**Veillez consulter la section qui correspond à votre installation.**

Afin d'assurer un fonctionnement sécuritaire et adéquat de l'appareil, vous devez observer les instructions d'évacuation à la lettre. Un changement à la longueur verticale minimale de l'évacuation pourrait entraîner des problèmes d'allumage du brûleur et/ou des accumulations de carbone. Lorsque les configurations de l'évacuation sont à l'extrême, laissez plusieurs minutes (5-15) à la flamme pour se stabiliser après l'allumage. Prévoyez un moyen d'inspecter visuellement le raccord de l'évent à l'appareil après que ce dernier a été installé. Utilisez un espaceur coupe-feu, un protecteur de conduit d'évacuation ou un écran thermique de grenier lorsque les murs intérieurs, le plancher ou le plafond sont traversés.

**NOTE :** Si pour une raison quelconque le système d'évents de prise d'air est démonté, réinstallez-le selon les instructions fournies dans l'installation initiale.

**NOTE :** Cet appareil doit être installé de manière à ce que le conduit d'évacuation et de prise d'air se prolongent sur toute la longueur de la cheminée. Toute autre méthode d'installation telle que d'utiliser la cheminée comme partie du système d'évent est interdite.

7.2C

### 3.1 LONGUEURS DES CONDUITS D'ÉVACUATION ET COMPOSANTS POUR UNE ÉVACUATION DIRECTE

Utilisez uniquement des composants d'évacuation Wolf Steel, Simpson Dura-Vent, Selkirk Direct Temp, American Metal Amerivent ou Metal-Fab. Les minimums et maximums des longueurs d'évent, pour les installations verticales et horizontales, et les emplacements des terminaisons pour les deux systèmes sont précisés dans ce manuel et doivent être respectés. Pour le Simpson Dura-Vent, le Selkirk Direct Temp, l'American Metal Amerivent et le Metal-Fab, suivez la procédure d'installation fournie avec les composants d'évacuation.

Un adaptateur de départ doit être utilisé avec les systèmes d'évacuation suivants et peut être acheté chez le fournisseur correspondant :

PIÈCE	5"/8"	FOURNISSEUR	SITE WEB
Duravent	W175-0170	Wolf Steel	www.duravent.com
Amerivent	5DSC-N2	American Metal	www.americanmetalproducts.com
Direct Temp	5DT-AA	Selkirk	www.selkirkcorp.com
SuperSeal	5DDA	Metal-Fab	www.mtlfab.com

**Pour le Simpson Dura-Vent, le Selkirk Direct Temp, l'American Metal Amerivent et le Metal-Fab, suivez la procédure d'installation se trouvant sur le site Internet du fournisseur.**

Pour les systèmes d'événements dont le conduit intérieur d'évacuation possède déjà des joints scellés, seuls les joints du conduit extérieur de prise d'air doivent être scellés avec un scellant de silicone rouge à haute température (RTV). Ce même scellant peut être utilisé sur les joints des conduits intérieurs et extérieurs de tous les autres systèmes d'événements approuvés à l'exception du raccordement du conduit d'évacuation à la buse de l'appareil qui doit être scellé avec le scellant noir à haute température Mill Pac.

Lorsque vous utilisez les composants d'évacuation Wolf Steel, n'utilisez que des composants rigides/flexibles d'évacuation Wolf Steel conjointement avec les ensembles de terminaison suivants : ensemble de terminaison murale **GD422-1**, **GD422R-1**, ensemble de terminaison pour toit de pente 1/12 à 7/12 **GD410**, ensemble de terminaison pour toit de pente 8/12 à 12/12 **GD411**, ensemble de terminaison pour toit plat **GD412** ou ensemble périscopique **GD401** (pour pénétration des murs sous le niveau du sol). Lorsque vous utilisez des conduits flexibles conjointement avec les différentes terminaisons, utilisez l'ensemble d'événements de 5 pieds (1,5m) **GD420** ou l'ensemble d'événements de 10 pieds (3,1m) **GD430**.

**Pour une performance optimale de l'appareil et une apparence optimale des flammes, gardez la longueur des événements et le nombre de coudes au minimum.**

**La prise d'air de la terminaison extérieure doit demeurer dégagée en tout temps. Vérifiez la prise d'air de la terminaison au moins une fois l'an pour vous assurer qu'elle n'est pas obstruée ni endommagée.**

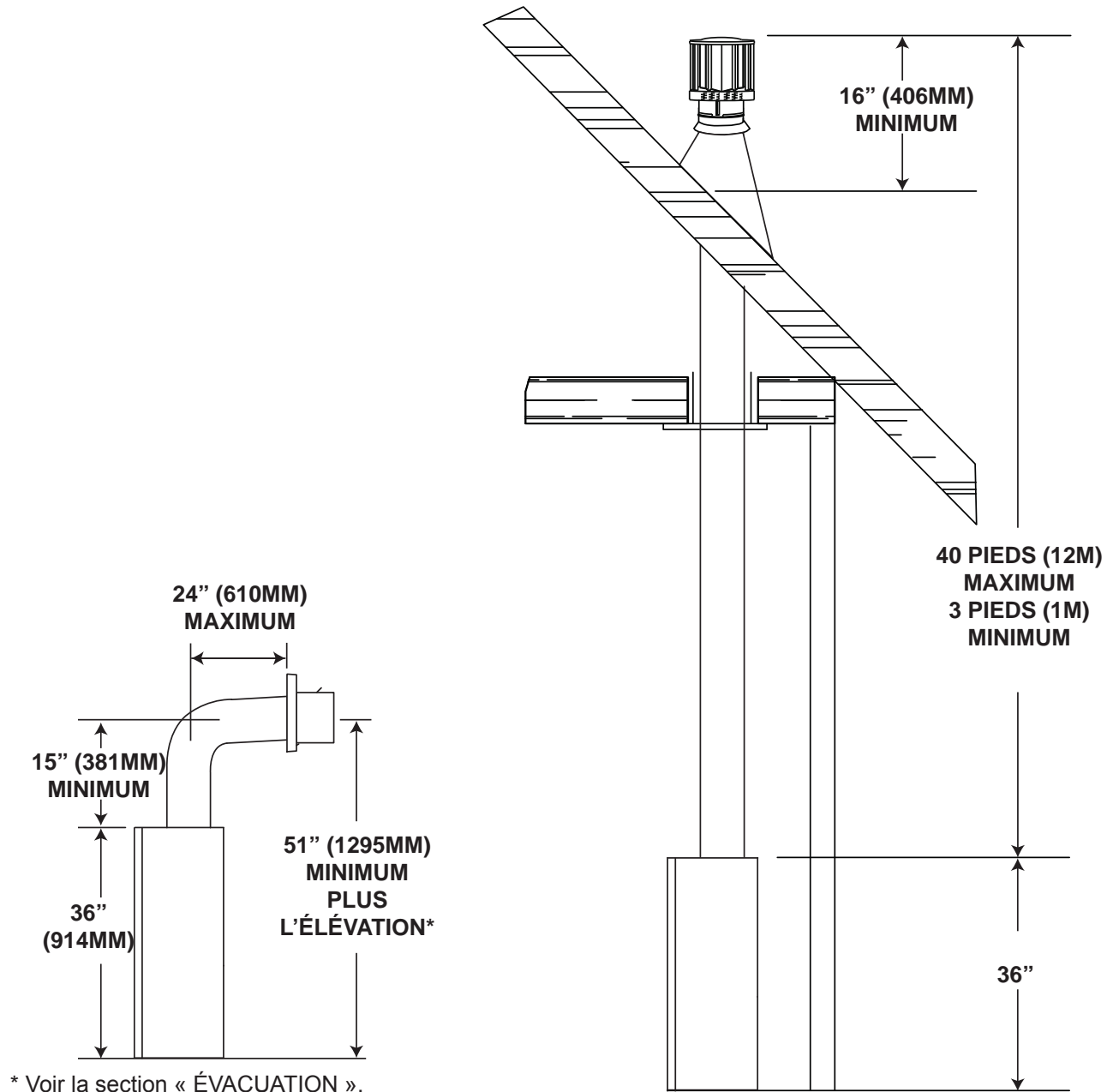
**Les composants rigides et flexibles ne doivent pas être combinés. Les composants d'évacuation de différents fabricants ne doivent pas être combinés.**

Ces ensembles d'événements permettent soit une évacuation verticale, soit une évacuation horizontale de l'appareil. La longueur horizontale maximale est de 20 pieds (6,1m). La hauteur totale permise pour un événement vertical est de 40 pieds (12,2m). Lorsque vous utilisez des composants flexibles, le nombre maximal de raccords est de deux horizontalement ou trois verticalement (excluant les raccords à l'appareil et à la section de terminaison).

Toutes les courses horizontales de l'événement peuvent avoir une élévation de 0" (0mm) par pied/mètre. Toutefois, pour une performance optimale, toutes les courses horizontales devraient avoir une élévation minimale de 1/4" (6,4mm) par pied/mètre lorsque vous utilisez des composants flexibles d'évacuation. Afin d'assurer un fonctionnement sécuritaire et adéquat de l'appareil, vous devez observer les instructions d'évacuation à la lettre.

Une terminaison ne doit pas être installée directement au-dessus d'un trottoir ou d'une entrée pavée, située entre deux maisons unifamiliales et servant aux deux maisons. Les codes ou réglementations locaux peuvent exiger des dégagements différents. Ne laissez pas le conduit intérieur se tasser contre les courses horizontales ou verticales et les coudes. Gardez-le tendu. Pour que le fonctionnement soit sécuritaire, un espace vide de 1 1/4" (31,8mm) est requis tout autour, entre le conduit intérieur et le conduit extérieur.

## 3.2 INSTALLATIONS TYPIQUES D'ÉVENTS

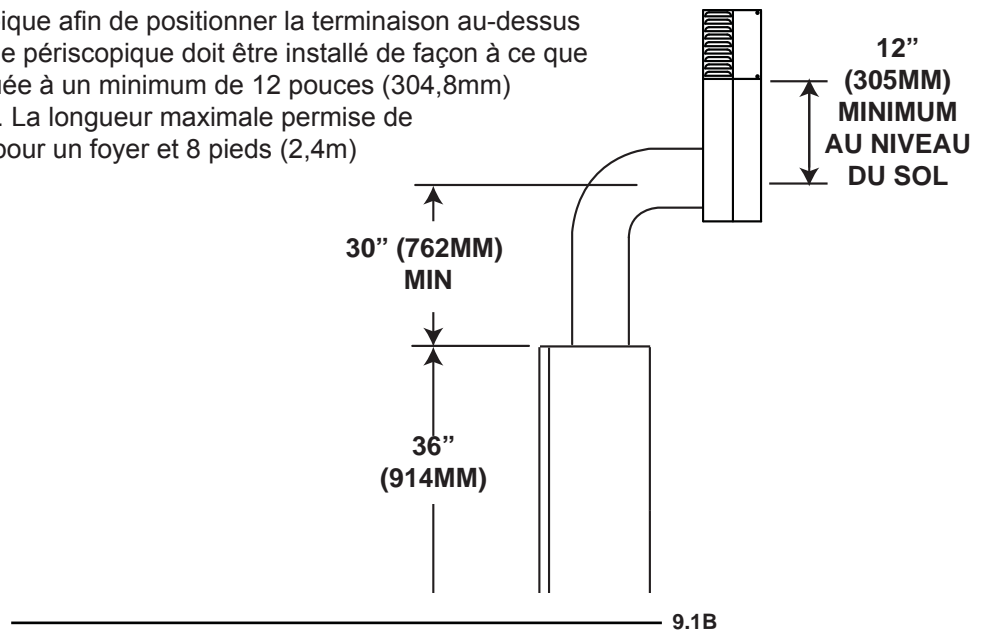


FR

## 3.3 INSTALLATIONS PARTICULIÈRES D'ÉVENTS

## 3.3.1 ENSEMBLE PÉRISCOPIQUE

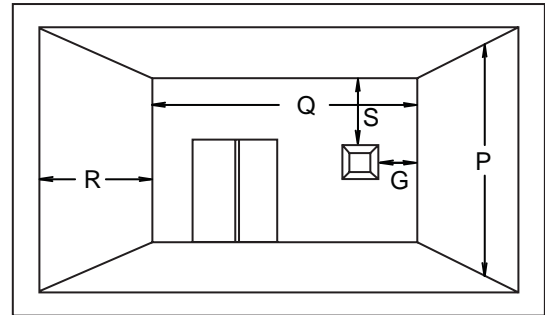
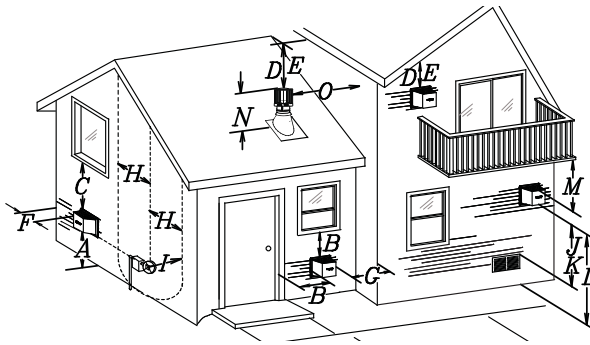
Utilisez l'ensemble périscopique afin de positionner la terminaison au-dessus du niveau du sol. L'ensemble périscopique doit être installé de façon à ce que la fente d'air du bas soit située à un minimum de 12 pouces (304,8mm) au-dessus du niveau du sol. La longueur maximale permise de l'évent est 10 pieds (3,1m) pour un foyer et 8 pieds (2,4m) pour un poêle.





## 3.4 EMBLEMES ET DÉGAGEMENTS MINIMAUX DE LA TERMINAISON

## APPLICATIONS POUR BALCON COUVERT ††\*



$$Q_{\text{MIN}} = 3 \text{ pieds (0,9m)} \quad R_{\text{MAX}} = 2 \times Q_{\text{RÉELLE}} \quad R_{\text{MAX}} \leq 15 \text{ pieds (4,6m)}$$

	INSTALLATION		
	CANADA	É.-U.	
A	12" (304,8mm)	12" (304,8mm)	Dégagement au-dessus du sol, d'une véranda, d'une terrasse en bois ou d'un balcon.
B	12" (304,8mm) <sup>Δ</sup>	9" (228,6mm) <sup>Δ</sup>	Dégagement des fenêtres ou des portes qui ouvrent.
C	12" (304,8mm)*	12" (304,8mm)*	Dégagement des fenêtres fermées en permanence.
D	18" (457,2mm)**	18" (457,2mm)**	Dégagement vertical d'un soffite ventilé situé au-dessus de la terminaison si la distance horizontale est de moins de 2' (0,6m) de la ligne médiane de la terminaison.
E	12" (304,8mm)**	12" (304,8mm)**	Dégagement d'un soffite non ventilé.
F	0" (0mm)	0" (0mm)	Dégagement des murs faisant coin extérieur.
G	0" (0mm)***	0" (0mm)***	Dégagement des murs extérieurs incombustibles faisant coin intérieur ou aux obstructions incombustibles (cheminée, etc.).
	2" (50,8mm)***	2" (50,8mm)***	Dégagement des murs extérieurs combustibles faisant coin intérieur ou aux obstructions combustibles (habillage extérieur, etc.).
H	3' (0,9m)	3' (0,9m)****	Dégagement horizontal de chaque côté depuis la ligne verticale tirée du centre d'un ensemble de régulateur/compteur pour une distance verticale maximale de 15' (4,6m).
I	3' (0,9m)	3' (0,9m)****	Dégagement de l'évent du régulateur.
J	12" (304,8mm)	9" (228,6mm)	Dégagement d'une prise d'air de ventilation non mécanique de la maison ou d'une prise d'air de combustion de tout autre appareil.
K	6' (1,8m)	3' (0,9m) †	Dégagement d'une prise d'air mécanique.
L	7' (2,1m) ‡	7' (2,1m) ****	Dégagement au-dessus d'un trottoir ou d'une entrée pavée situés sur une propriété publique.
M	12" (304,8mm) ††	12" (304,8mm)****	Dégagement sous une véranda ou une terrasse en bois.
N	16" (406,4mm)	16" (406,4mm)	Dégagement au-dessus du toit.
O	2' (0,6m) †*	2' (0,6m) †*	Dégagement des murs adjacents, incluant les maisons voisines.
P	8' (2,4m)	8' (2,4m)	Le toit doit être incombustible et sans ouvertures.
Q	3' (0,9m)	3' (0,9m)	Voir le tableau pour les dimensions d'un mur plus large
R	6' (1,8m)	6' (1,8m)	Voir le tableau pour les dimensions d'un mur plus profond. La terminaison ne doit pas être installée sur quelconque mur ayant une ouverture entre la terminaison et le côté ouvert de la structure.
S	12" (304,8mm)	12" (304,8mm)	Dégagement sous un balcon couvert.

Δ Pour les structures comportant trois murs et un toit, la terminaison doit être située à plus de 6 pieds (1,8m) sous une fenêtre s'ouvrant sur un plan horizontal.

\* Recommandé afin de prévenir la formation de buée dans les fenêtres et les cassures thermiques.

\*\* Il est recommandé d'utiliser un protecteur de chaleur et de maximiser la distance au soffite de plastique.

\*\*\* L'ensemble périscopique requiert un dégagement minimal de 18 pouces (457,2m) d'un mur extérieur faisant coin intérieur.

\*\*\*\* Ceci est une distance recommandée. Vérifiez les codes locaux pour connaître les contraintes additionnelles.

† Trois pieds au-dessus si la distance horizontale est de moins de 10 pieds (3,1m).

‡ Une terminaison d'évacuation ne doit pas être installée à un endroit où elle pourrait causer une formation dangereuse de givre ou de glace sur les surfaces d'une propriété adjacente.

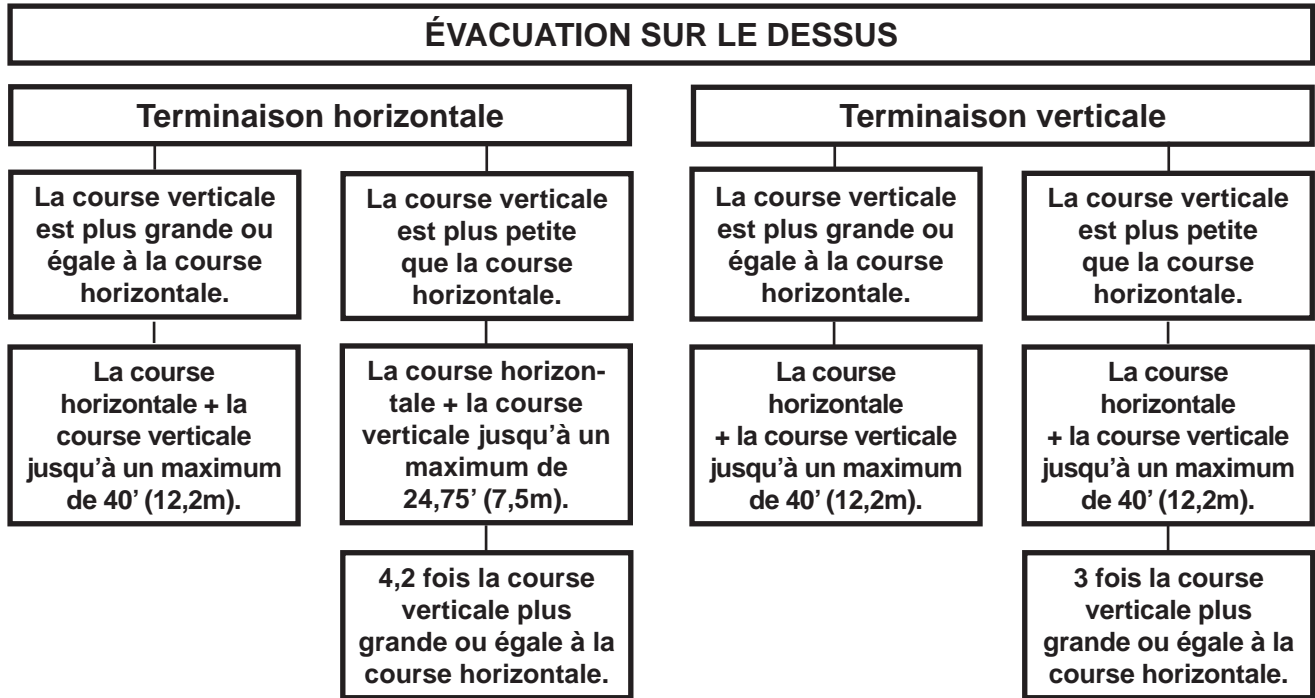
†† Permis seulement si la véranda ou la terrasse en bois sont complètement ouverts sur un minimum de deux côtés sous le plancher.

†\* Recommandé afin d'éviter la recirculation des produits d'échappement. Vérifiez les codes locaux pour connaître les contraintes additionnelles.

††\* Permis seulement si le balcon est complètement ouvert sur au moins un côté.

**NOTE :** Les dégagements sont en conformité avec les codes d'installation locaux et les exigences du fournisseur de gaz.

## 3.5 CHARTE D'APPLICATION DES ÉVACUATIONS



13.1A

## 3.6 DÉFINITIONS

Les symboles suivants sont utilisés dans le calcul et les exemples d'évacuation :

> - plus grand que

≥ - plus grand ou égal à

< - plus petit que

≤ - plus petit ou égal à

$H_T$  - total de la longueur des courses horizontales ( $H_r$ ) et des déviations ( $H_o$ ) en pieds

$H_R$  - longueur des courses horizontales combinées en pieds

$H_O$  - facteur de la valeur d'une déviation : 0,03 (du total des degrés de déviation - 90°\*) en pieds

$V_T$  - longueur des courses verticales combinées en pieds

14.1

## 3.7 VALEURS DU COUDE EN LONGUEUR D'ÉVENT

	<b>PIEDS</b>	<b>POUCES</b>	<b>MILLIMÈTRES</b>
1°	0,03	0,5	12,7
15°	0,45	6,0	152,4
30°	0,9	11,0	279,4
45°	1,35	16,0	406,4
90°*	2,7	32,0	812,8

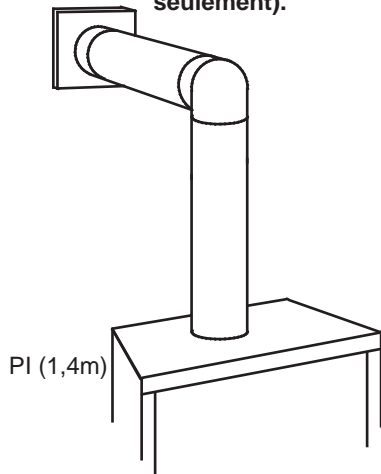
\* La première déviation de 90° a une valeur zéro et est illustrée dans la formule comme - 90°

15.1A

## 3.8 TERMINAISON HORIZONTALE

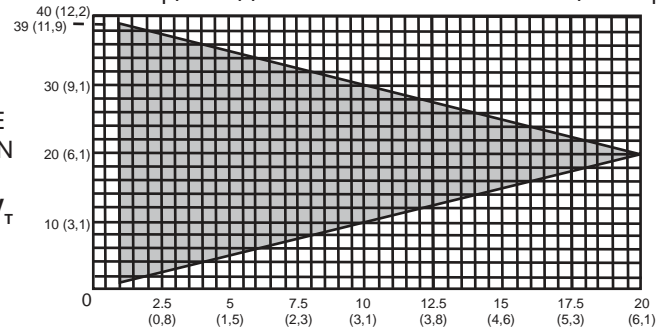
$$(H_T) \leq (V_T)$$

Configuration d'évacuation simple (un coude de 90° seulement).



Consultez le graphique pour déterminer la course verticale nécessaire  $V_T$  par rapport à la course horizontale requise  $H_T$ .

COURSE VERTICALE REQUISE EN PIEDS (MÈTRES)  $V_T$



LONGUEUR DES COURSES HORIZONTALES PLUS LES DÉVIATIONS EN PIEDS (MÈTRES)  $H_T$

La section ombragée à l'intérieur des lignes représente des valeurs acceptables pour  $H_T$  et  $V_T$ .

Lorsque la configuration de l'évacuation exige plus d'un coude de 90°, les formules suivantes s'appliquent :

Formule 1 :  $H_T \leq V_T$

Formule 2 :  $H_T + V_T \leq 40$  pieds (12,2m)

Exemple :

$$V_1 = 3 \text{ PI (0,9m)}$$

$$V_2 = 8 \text{ PI (2,4m)}$$

$$V_T = V_1 + V_2 = 3\text{PI (0,9m)} + 8\text{PI (2,4m)} = 11\text{PI (3,4m)}$$

$$H_1 = 2,5 \text{ PI (0,8m)}$$

$$H_2 = 2 \text{ PI (0,6m)}$$

$$H_R = H_1 + H_2 = 2,5\text{PI (0,8m)} + 2\text{PI (0,6m)} = 4,5 \text{ PI (1,4m)}$$

$$H_O = 0,03 \text{ (trois coudes } 90^\circ - 90^\circ) = 0,03 (270^\circ - 90^\circ) = 5,4 \text{ PI (1,6m)}$$

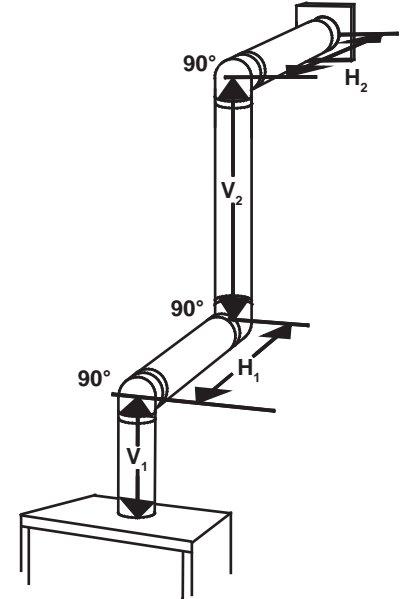
$$H_T = H_R + H_O = 4,5\text{PI (1,4m)} + 5,4\text{PI (1,6m)} = 9,9 \text{ PI (3m)}$$

$$H_T + V_T = 9,9\text{PI (3m)} + 11\text{PI (3,4m)} = 20,9 \text{ PI (6,4m)}$$

Formule 1 :  $H_T \leq V_T$   
 $9,9\text{PI (3m)} \leq 11\text{PI (3,4m)}$

Formule 2 :  $H_T + V_T \leq 40 \text{ PI (12,2m)}$   
 $20,9\text{PI (6,4m)} \leq 40 \text{ PI (12,2m)}$

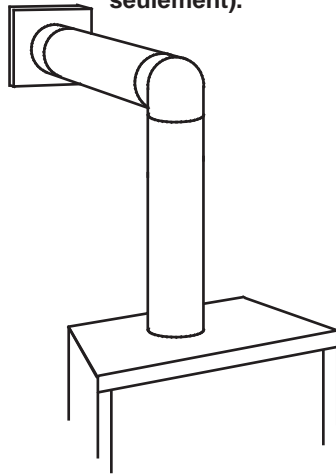
Puisque les deux formules sont respectées, cette configuration d'évacuation est acceptable.



16.1B

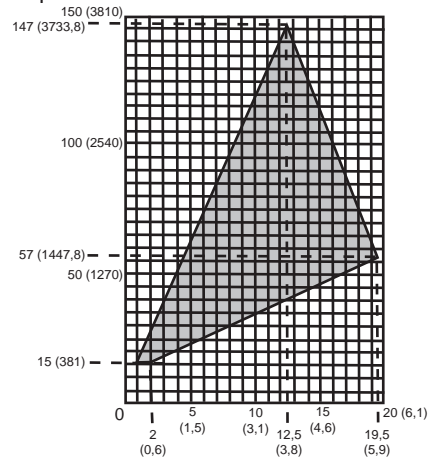
$$(H_T) > (V_T)$$

Configuration d'évacuation simple (un coude de 90° seulement).



Consultez le graphique pour déterminer la course verticale nécessaire  $V_T$  par rapport à la course horizontale requise  $H_T$ .

COURSE VERTICALE REQUISE EN PIEDS (MÈTRES)  $V_T$



LONGUEUR DES COURSES HORIZONTALES PLUS LES DÉVIATIONS EN PIEDS (MÈTRES)  $H_T$   
La section ombragée à l'intérieur des lignes représente des valeurs acceptables pour  $H_T$  et  $V_T$ .

Lorsque la configuration de l'évacuation exige plus d'un coude de 90°, les formules suivantes s'appliquent :

Formule 1 :  $H_T \leq 4,2 V_T$

Formule 2 :  $H_T + V_T \leq 24,75$  pieds (7,5m)

Exemple :

$V_1 = V_T = 6$  PI (1,8m)

$H_1 = 3$  PI (0,9m)

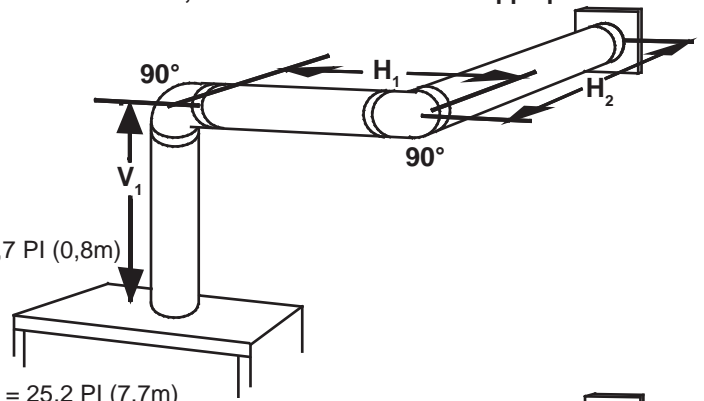
$H_2 = 5$  PI (1,5m)

$H_R = H_1 + H_2 = 3$ PI (0,9m) + 5PI (1,5m) = 8 PI (2,4m)

$H_o = 0,03$  (deux coudes 90° - 90°) = 0,03 (180° - 90°) = 2,7 PI (0,8m)

$H_T = H_R + H_o = 8$ PI (2,4m) + 2,7PI (0,8m) = 10,7PI (3,3m)

$H_T + V_T = 10,7$ PI (3,3m) + 6PI (1,8m) = 16,7PI (5,1m)



Formule 1 :

$H_T \leq 4,2 V_T$

$4,2 V_T = 4,2$ PI (1,3m) x 6PI (1,8m) = 25,2 PI (7,7m)

Formule 2 :

$H_T + V_T \leq 24,75$  PI (7,5m)

16,7PI (5,1m)  $\leq$  24,75 PI (7,5m)

Puisque les deux formules sont respectées, cette configuration d'évacuation est acceptable.

Exemple :

$V_1 = 4$  PI (1,2m)

$V_2 = 1,5$  PI (0,5m)

$V_T = V_1 + V_2 = 4$ PI (1,2m) + 1,5PI (0,5m) = 5,5 PI (1,7m)

$H_1 = 2$  PI (0,6m)

$H_2 = 1$  PI (0,3m)

$H_3 = 1$  PI (0,3m)

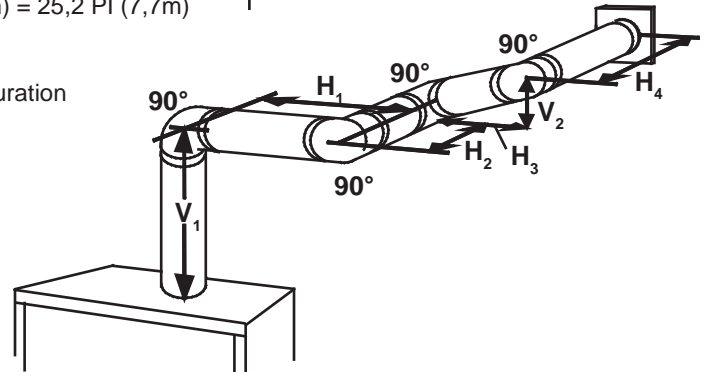
$H_4 = 1,5$  PI (0,5m)

$H_R = H_1 + H_2 + H_3 + H_4 = 2$ PI (0,6m) + 1PI (0,3m) + 1PI (0,3m) + 1,5PI (0,5m) = 5,5 PI (1,7m)

$H_o = 0,03$  (quatre coudes 90° - 90°) = 0,03 (360° - 90°) = 8,1 PI (2,5m)

$H_T = H_R + H_o = 5,5$ PI (1,7m) + 8,1PI (2,5m) = 13,6 PI (4,2m)

$H_T + V_T = 13,6$  PI (4,2m) + 5,5 PI (1,7m) = 19,1 PI (5,8m)



Formule 1 :

$H_T \leq 4,2 V_T$

$4,2 V_T = 4,2$ PI (1,3m) x 5,5P (1,7m) = 23,1 PI (7m)

13,6 PI (4,2m)  $\leq$  23,1 PI (7m)

Formule 2 :

$H_T + V_T \leq 24,75$  PI (7,5m)

19,1PI (5,8m)  $\leq$  24,75 (7,5m)

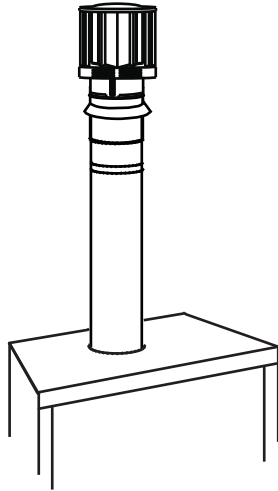
Puisque les deux formules sont respectées, cette configuration d'évacuation est acceptable.

16.4A

3.9 TERMINAISON VERTICALE

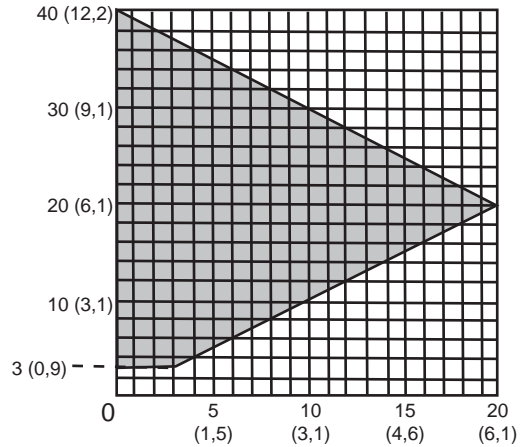
$$(H_T) \leq (V_T)$$

Configuration d'évacuation simple.



COURSE VERTICALE REQUISE EN PIEDS (MÈTRES)  $V_T$

Consultez le graphique pour déterminer la course verticale nécessaire  $V_T$  par rapport à la course horizontale requise  $H_T$ .



LONGUEUR DES COURSES HORIZONTALES PLUS LES DÉVIATIONS EN PIEDS (MÈTRES)  $H_T$   
La section ombragée à l'intérieur des lignes représente des valeurs acceptables pour  $H_T$  et  $V_T$ .

Lorsque la configuration de l'évacuation exige plus de zéro coude de 90°, les formules suivantes s'appliquent :

Formule 1 :  $H_T \leq V_T$

Formule 2 :  $H_T + V_T \leq 40$  pieds (12,2m)

Exemple :

$V_1 = 5$  PI (1,5m)

$V_2 = 6$  PI (1,8m)

$V_3 = 10$  PI (3,1m)

$V_T = V_1 + V_2 + V_3 = 5$ PI (1,5m) + 6PI (1,8m) + 10PI (3,1m) = 21 PI (6,4m)

$H_1 = 8$  PI (2,4m)

$H_2 = 2,5$  PI (0,8m)

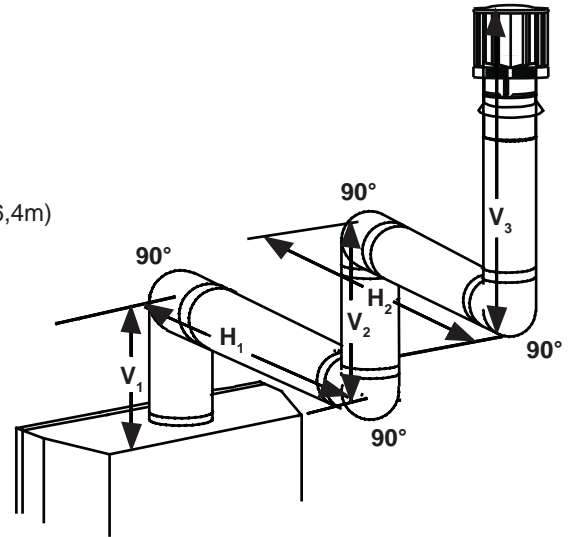
$H_R = H_1 + H_2 = 8$  PI (2,4m) + 2,5 PI (0,8m) = 10,5 PI (3,2m)

$H_o = 0,03$  (quatre coudes 90° - 90°)

= 0,03 (360° - 90°) = 8,1 PI (2,5m)

$H_T = H_R + H_o = 10,5$ PI (3,2m) + 8,1PI (2,5m) = 18,6 PI (5,7m)

$H_T + V_T = 18,6$ PI (5,7m) + 21PI (6,4m) = 39,6 PI (12,1m)



Formule 1 :  $H_T \leq V_T$   
18,6PI (5,7m)  $\leq$  21PI (6,4m)

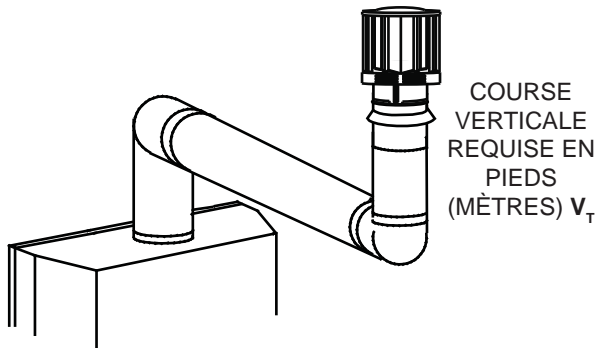
Formule 2 :  $H_T + V_T \leq 40$  PI (12,2m)  
39,6 PI (12,1m)  $\leq$  40 PI (12,2m)

Puisque les deux formules sont respectées, cette configuration d'évacuation est acceptable.

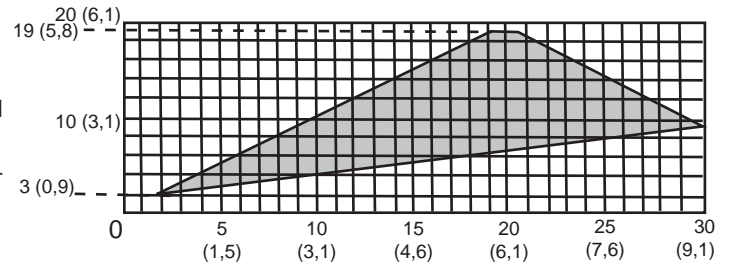
18.1A

$$(H_T) > (V_T)$$

### Configuration d'évacuation simple.



Consultez le graphique pour déterminer la course verticale nécessaire  $V_T$  par rapport à la course horizontale requise  $H_T$ .



LONGUEUR DES COURSES HORIZONTALES PLUS LES DÉVIATIONS EN PIEDS (MÈTRES)  $H_T$

La section ombragée à l'intérieur des lignes représente des valeurs acceptables pour  $H_T$  et  $V_T$ .

Lorsque la configuration de l'évacuation exige plus de deux coudes de 90°, les formules suivantes s'appliquent :

Formule 1 :  $H_T \leq 3V_T$

Formule 2 :  $H_T + V_T \leq 40$  pieds (12,2m)

#### Exemple :

$$V_1 = 2 \text{ PI (0,6m)}$$

$$V_2 = 1 \text{ PI (0,3m)}$$

$$V_3 = 1,5 \text{ PI (0,5m)}$$

$$V_T = V_1 + V_2 + V_3 = 2\text{PI (0,6m)} + 1\text{PI (0,3m)} + 1,5\text{PI (0,5m)} = 4,5 \text{ PI (1,4m)}$$

$$H_1 = 6 \text{ PI (1,8m)}$$

$$H_2 = 2 \text{ PI (0,6m)}$$

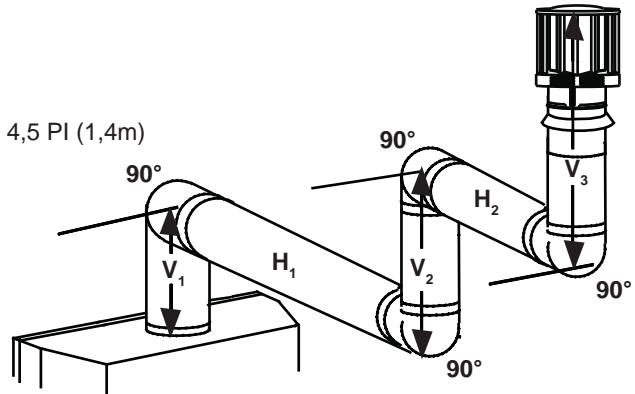
$$H_R = H_1 + H_2 = 6\text{PI (1,8m)} + 2\text{PI (0,6m)} = 8 \text{ PI (2,4m)}$$

$$H_o = 0,03 \text{ (quatre coudes } 90^\circ - 90^\circ)$$

$$= 0,03 \text{ (360}^\circ - 90^\circ) = 8,1 \text{ PI (2,5m)}$$

$$H_T = H_R + H_o = 8 \text{ PI (2,4m)} + 8,1 \text{ PI (2,5m)} = 16,1 \text{ PI (4,9m)}$$

$$H_T + V_T = 16,1\text{PI (4,9m)} + 4,5\text{PI (1,4m)} = 20,6 \text{ PI (6,3m)}$$



Formule 1 :  $H_T \leq 3V_T$

$$3V_T = 3\text{PI (0,9m)} \times 4,5\text{PI (1,4m)} = 13,5 \text{ PI (4,1m)}$$

$$16,1 \text{ PI (4,9m)} \leq 13,5 \text{ PI (4,1m)}$$

Puisque cette formule n'est pas respectée, cette configuration d'évacuation est **inacceptable**.

Formule 2 :  $H_T + V_T \leq 40$  pieds (12,2m)

$$20,6 \text{ PI (6,3m)} \leq 40 \text{ PI (12,2m)}$$

Puisque seulement la formule 2 est respectée, cette configuration est inacceptable et l'on devra trouver un autre endroit pour installer l'appareil ou trouver une configuration d'évacuation qui pourra respecter les deux formules.

18.1\_2B

## 4.0 INSTALLATION

### AVERTISSEMENT

**AVANT D'EFFECTUER LES BRANCHEMENTS POUR L'ALIMENTATION EN GAZ ET ÉLECTRIQUE, ASSUREZ-VOUS DE RETIRER TOUTE COMPOSANTE NON FIXÉE À L'INTÉRIEUR DE LA CHAMBRE DE COMBUSTION.**

**SI VOTRE APPAREIL COMPREND UN SYSTÈME DE TÉLÉCOMMANDE, ASSUREZ-VOUS QUE LE RÉCEPTEUR EST À LA POSITION « OFF » AVANT D'EFFECTUER LES BRANCHEMENTS POUR L'ALIMENTATION EN GAZ ET ÉLECTRIQUE.**

**AFIN D'ASSURER UN FONCTIONNEMENT SÉCURITAIRE ET ADÉQUAT DE L'APPAREIL, VOUS DEVEZ OBSERVER LES INSTRUCTIONS D'ÉVACUATION À LA LETTRE.**

**TOUS LES JOINTS DES CONDUITS INTÉRIEURS ET EXTÉRIEURS PEUVENT ÊTRE SCÉLLÉS AVEC DU SCÉLLANT DE SILICONE ROUGE À HAUTE TEMPÉRATURE RTV W573-0002 (NON FOURNI) OU DU SCÉLLANT NOIR À HAUTE TEMPÉRATURE MILL PAC W573-0007 (NON FOURNI) À L'EXCEPTION DU RACCORDEMENT DU CONDUIT D'ÉVACUATION À LA BUSE DE L'APPAREIL QUI DOIT ÊTRE SCÉLLÉ AVEC LE SCÉLLANT MILL PAC.**

**SI VOUS UTILISEZ DES COLLIERS POUR TUYAU POUR RACCORDER LES COMPOSANTS D'ÉVACUATION, VOUS DEVEZ AUSSI INSTALLER TROIS VIS POUR VOUS ASSURER QUE LE RACCORDEMENT NE SE DÉFASSE PAS.**

**NE SERREZ PAS LA GAINÉ FLEXIBLE.**

**RISQUE D'INCENDIE, D'EXPLOSION OU D'ASPHYXIE. SI L'ENSEMBLE DU SYSTÈME DE CONDUIT D'ÉVENT N'EST PAS ADÉQUATEMENT SOUTENU, IL RISQUE DE FLÉCHIR OU DE SE SÉPARER. UTILISEZ DES SUPPORTS DE CONDUIT ET RACCORDEZ LES SECTIONS DE CONDUITS SELON LES INSTRUCTIONS D'INSTALLATION.**

**RISQUE D'INCENDIE. ÉVITEZ QUE L'ISOLANT TOUCHE AU CONDUIT D'ÉVACUATION. RETIREZ L'ISOLANT POUR PERMETTRE L'INSTALLATION DE L'ÉCRAN PROTECTEUR DU GRENIER ET POUR MAINTENIR LES DÉGAGEMENTS AUX MATÉRIEAUX COMBUSTIBLES.**

68.2B

### 4.1 PROTECTION DU MUR ET DU PLAFOND

#### AVERTISSEMENT

**NE REMPLISSEZ L'ESPACE ENTRE LE CONDUIT D'ÉVENT ET LA CHARPENTE AVEC AUCUN TYPE DE MATÉRIAU. NE BOURREZ PAS D'ISOLANT NI DE MATÉRIEAUX COMBUSTIBLES ENTRE LES ESPACEURS COUPE-FEU DU PLAFOND. CONSERVEZ TOUJOURS LES DÉGAGEMENTS REQUIS AUTOUR DES CONDUITS D'ÉVENT ET L'ASSEMBLAGE DE L'ESPACEUR COUPE-FEU. INSTALLEZ LES ÉCRANS MURAUX ET LES ESPACEURS COUPE-FEU TEL QUE SPÉCIFIÉ. SI VOUS NE GARDEZ PAS L'ISOLANT OU TOUT AUTRE MATÉRIAU À L'ÉCART DU CONDUIT D'ÉVENT, UN RISQUE D'INCENDIE POURRAIT S'ENSUIVRE.**

70.1

Pour une performance optimale de l'appareil, toutes les courses horizontales devraient avoir une élévation minimale de 1/4" (6mm) par pied lorsque vous utilisez des composants flexibles d'évacuation. Afin d'assurer un fonctionnement sécuritaire et adéquat de l'appareil, vous devez observer les instructions d'évacuation à la lettre.

## 4.1.1 INSTALLATION HORIZONTALE

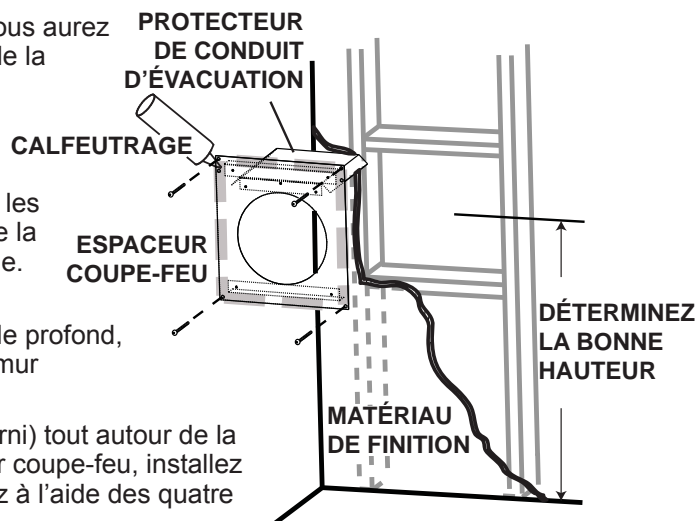
**AVERTISSEMENT**

**L'ESPACEUR COUPE-FEU DOIT ÊTRE INSTALLÉ AVEC L'ÉCRAN PROTECTEUR ORIENTÉ VERS LE HAUT.  
LA TERMINAISON NE DOIT PAS ÊTRE ENCHÂSSÉE DANS LE MUR OU LE REVÊTEMENT EXTÉRIEUR  
PLUS QUE L'ÉPAISSEUR DE LA BRIDE DE LA PLAQUE DE MONTAGE.**

Cette configuration s'applique lorsque le conduit d'évent traverse un mur extérieur. Une fois que vous aurez déterminé la hauteur exacte pour l'emplacement de la terminaison, découpez et charpentez une ouverture dans le mur extérieur (comme illustré) pour permettre l'installation de l'espaceur coupe-feu. Avant de continuer, placez l'espaceur coupe-feu dans l'ouverture pour vous assurer que les supports sur la surface arrière soient placés contre la face intérieure de la pièce de charpente horizontale.

L'écran protecteur peut-être taillé pour des murs combustibles qui ont moins de 8 1/2" (215,9mm) de profond, mais doit se prolonger sur toute la profondeur du mur combustible.

- Appliquez un joint de calfeutrage (non fourni) tout autour de la bordure de la face intérieure de l'espaceur coupe-feu, installez l'espaceur coupe-feu contre le trou et fixez à l'aide des quatre vis (fournies dans le sac de votre manuel).
- Une fois que le conduit d'évent est en place, appliquez du scellant à haute température W573-0007 (non fourni) entre le conduit d'évent et l'espaceur coupe-feu.

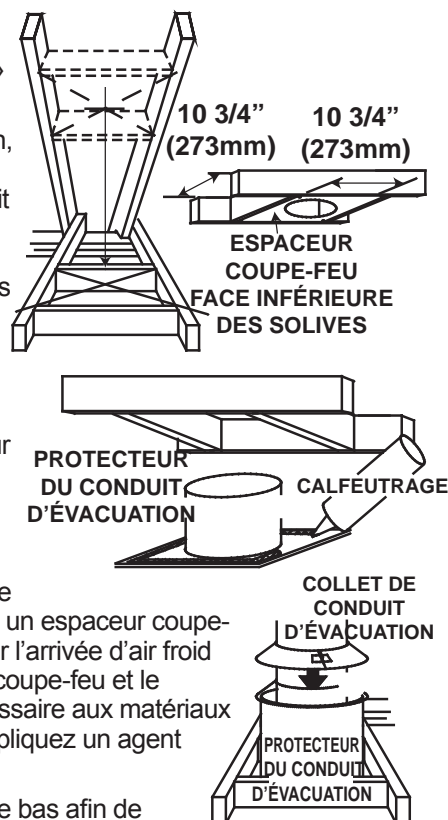


20.2A

## 4.1.2 INSTALLATION VERTICALE

Cette configuration s'applique lorsque l'évacuation se fait à travers un toit. Des ensembles d'installation pour les différentes pentes de toit sont disponibles chez votre détaillant autorisé. Voir la section « Accessoires » pour commander l'ensemble spécifique dont vous avez besoin.

- Une fois que vous aurez déterminé l'emplacement de la terminaison, découpez et charpentez une ouverture dans le plafond et le toit pour laisser le dégagement minimal de 1" (25,4mm) entre le conduit d'évent et tout matériau combustible. Essayez de positionner le conduit d'évent à mi-chemin entre deux solives pour ne pas être obligé de les couper. Utilisez du fil à plomb pour aligner le centre des ouvertures. Un protecteur de conduit d'évacuation empêchera tout matériau, tel que l'isolant, de remplir l'espace vide de 1" (25,4mm) autour de l'évent. Fixez des entretoises entre les solives pour assurer un support additionnel.
- Appliquez un joint de calfeutrage (non fourni) sur la charpente ou sur le protecteur de conduit d'évacuation Wolf Steel ou l'équivalent (dans le cas d'un plafond fini) et fixez le protecteur de conduit d'évacuation de façon à recouvrir l'ouverture dans le plafond. Un espaceur coupe-feu doit être fixé à la base de chaque ouverture charpentée dans un toit ou un plafond par lequel traverse le système d'évacuation. Appliquez un joint de calfeutrage tout autour et placez un espaceur coupe-feu par-dessus le protecteur de conduit d'évacuation pour empêcher l'arrivée d'air froid dans la pièce ou autour de l'appareil. Assurez-vous que l'espaceur coupe-feu et le protecteur de conduit d'évacuation conservent le dégagement nécessaire aux matériaux combustibles. Une fois que le conduit d'évacuation est en place, appliquez un agent d'étanchéité entre le conduit d'évacuation et l'espaceur coupe-feu.
- Dans le grenier, faites glisser le collet de conduit d'évacuation vers le bas afin de recouvrir l'extrémité ouverte du protecteur de conduit d'évacuation et serrez. Ceci empêchera tout matériau, tel que l'isolant, de remplir l'espace vide de 1 po (25,4mm) autour de l'évent.



21.1A

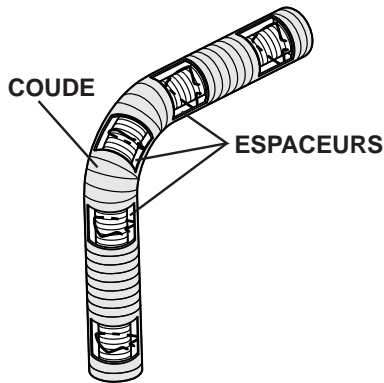


## 4.2 UTILISATION DE COMPOSANTS FLEXIBLES D'ÉVACUATION

**! AVERTISSEMENT**

**NE LAISSEZ PAS LA GAINÉ FLEXIBLE SE TASSER CONTRE LES COURSES HORIZONTALES OU VERTICALES ET LES COUDES. GARDEZ-LA TENDUE.**

**DES ESPACEURS SONT FIXÉS À LA GAINÉ FLEXIBLE À INTERVALLES PRÉDÉTERMINÉS AFIN DE GARDER UN ESPACE VIDE AVEC LE CONDUIT EXTÉRIEUR. POUR QUE LE FONCTIONNEMENT SOIT SÉCURITAIRE, UN ESPACE VIDE EST REQUIS. UN ESPACEUR EST REQUIS AU DÉBUT, AU MILIEU ET À LA FIN DE CHAQUE COUDE AFIN DE MAINTENIR CET ESPACE VIDE. N'ENLEVEZ PAS CES ESPACEURS.**



Afin d'assurer une opération sécuritaire et adéquate de l'appareil, vous devez observer les instructions d'évacuation à la lettre.

Tous les joints des conduits flexibles intérieurs et extérieurs peuvent être scellés avec le scellant à haute température W573-0002 (non fourni) ou du scellant à haute température Mill Pac W573-0007 (non fourni). Cependant, le raccordement du conduit flexible intérieur à la buse de l'appareil doit être scellé avec le scellant Mill Pac W573-0007 (non fourni).

**N'utilisez que les ensembles certifiés de gaines flexibles portant l'inscription :**

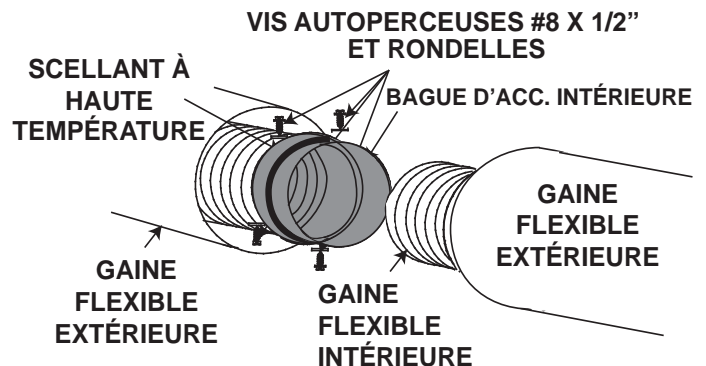
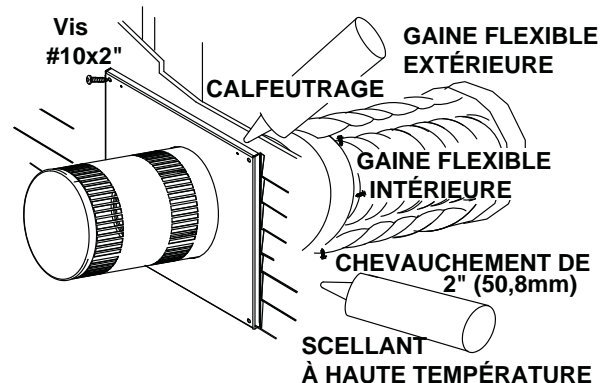


**« Wolf Steel Approved Venting »** comme identifié par la gaine flexible extérieure.

22.1

## 4.2.1 INSTALLATION DE LA TERMINAISON HORIZONTALE

- A. Étirez la gaine flexible intérieure à la longueur requise en tenant compte de la longueur additionnelle nécessaire pour la surface du mur fini. Appliquez un généreux joint de scellant à haute température W573-0007 Mill Pac (non fourni). Glissez la gaine sur le manchon intérieur de la terminaison en assurant un chevauchement minimal de 2" (50.8mm) et fixez à l'aide de trois vis #8.
- B. Installez la gaine flexible extérieure en la glissant sur le manchon extérieur de la terminaison et fixez à l'aide de trois vis #8. Scellez avec du scellant à haute température W573-0002 (non fourni).
- C. Insérez les gaines dans le coupe-feu tout en conservant le dégagement nécessaire aux matériaux combustibles. En soutenant la terminaison (les inscriptions étant à l'endroit et lisibles), fixez-la au mur extérieur et rendez-la étanche en la scellant avec du calfeutrage (non fourni).
- D. Si plus de sections de gaine doivent être utilisées pour atteindre l'appareil, raccordez-les ensemble tel qu'illustré. Les courses horizontales et verticales du système d'évacuation doivent être supportées chaque 3 pieds (0.9m) approximativement. Utilisez des supports incombustibles afin de maintenir le dégagement minimal de 1" (25.4mm) aux matériaux combustibles.



**La plaque de montage de la terminaison peut être enchâssée dans le mur ou le revêtement extérieur, n'excédant pas l'épaisseur de la bride.**

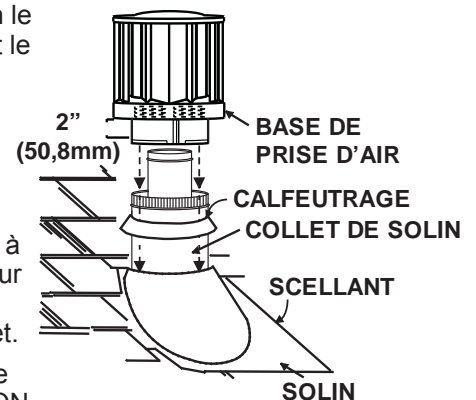
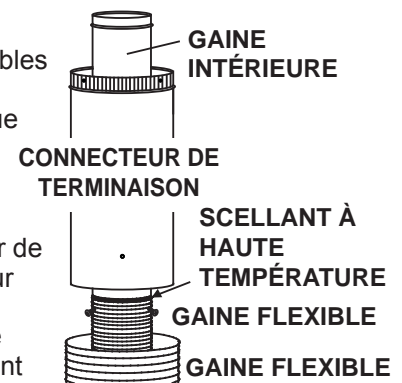
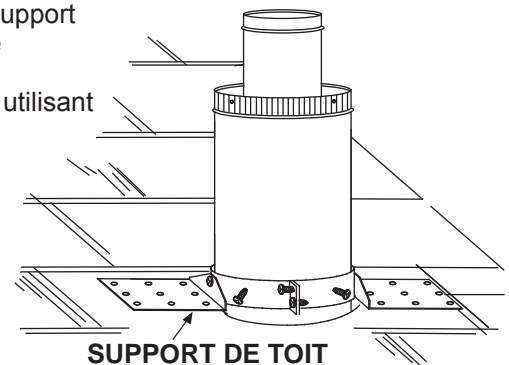
23.3B

## 4.2.2 INSTALLATION DE LA TERMINAISON VERTICALE

**! AVERTISSEMENT**

**CONSERVEZ UN ESPACE MINIMAL DE 2" (50,8mm) ENTRE LA BASE DE LA PRISE D'AIR ET LE COLLET DE SOLIN.**

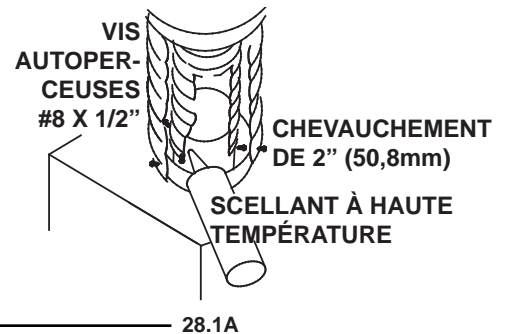
- A.** Fixez le support de toit au toit à l'aide des vis fournies. Le support de toit est optionnel. Dans ce cas, l'évent doit être supporté adéquatement soit en utilisant une méthode alternative se conformant aux normes des autorités compétentes, soit en utilisant le support de toit optionnel.
- B.** Étirez la gaine flexible intérieure à la longueur requise. Glissez la gaine flexible intérieure sur le manchon intérieur du connecteur de terminaison en assurant un chevauchement minimal de 2" (50,8mm) et fixez à l'aide de trois vis #8. Scellez en appliquant un généreux joint de scellant à haute température W573-0007 (non fourni).
- C.** Installez la gaine flexible extérieure de la même façon et scellez en appliquant un généreux joint de scellant à haute température W573-0002 (non fourni).
- D.** Faites passer le montage du connecteur de terminaison/gaines flexibles à travers le toit. La terminaison doit être verticale et d'aplomb. Fixez le connecteur de terminaison au support de toit en vous assurant que le dessus de la terminaison excède le côté le plus élevé du toit d'au moins 16" (406,4mm) une fois fixée.
- E.** Enlevez les clous des bardeaux sur le dessus et les côtés du connecteur de terminaison. Placez le solin par-dessus le connecteur de terminaison en laissant un minimum de 3/4" (19,1mm) de connecteur de terminaison visible au-dessus du haut du solin. Glissez le solin sous les côtés et le bord supérieur des bardeaux. Assurez-vous que le connecteur de terminaison est bien centré dans le solin, en laissant une marge de 3/4" (19,1mm) tout autour. Fixez-le au toit. Ne clouez pas à travers la partie inférieure du solin. Imperméabilisez-le en le scellant avec du calfeutrage. Si possible, recouvrez les côtés et le bord supérieur du solin avec des matériaux de couverture.
- F.** Alignez les joints de la terminaison et du connecteur de terminaison et placez la terminaison par-dessus le connecteur de terminaison en vous assurant que le manchon pénètre dans le trou de la terminaison. Fixez à l'aide des trois vis fournies.
- G.** Appliquez un généreux joint de calfeutrage à l'épreuve de l'eau à 2" (50,8mm) au-dessus du solin. Installez le collet de solin autour de la terminaison et glissez-le jusqu'à la ligne de calfeutrage. Serrez afin d'assurer l'étanchéité entre la terminaison et le collet.
- H.** Si plus de sections de gaine doivent être utilisées pour atteindre l'appareil, voir la section « INSTALLATION DE LA TERMINAISON HORIZONTALE ».



24.1A

### 4.2.3 RACCORDEMENT DES ÉVÉNEMENTS À L'APPAREIL

- A. Raccordez la gaine flexible de 8" (203,2mm) de diamètre à l'appareil. Fixez-la à l'aide de trois vis et de trois rondelles. Scellez le joint et les têtes de vis avec le scellant à haute température W573-0007 (non fourni).
- B. Raccordez la gaine flexible à l'appareil. Fixez et scellez les joints avec le scellant à haute température W573-0002 (non fourni).



28.1A

### 4.3 INSTALLATION DANS UNE MAISON MOBILE

Cet appareil est certifié pour être installé comme équipement d'origine (OEM) dans une maison préfabriquée ou une maison mobile. Son installation doit être effectuée en respectant les directives du fabricant et le Manufactured Home Construction and Safety Standard, Title 24 CFR, Part 3280, aux États-Unis, ou les normes actuelles pour les maisons mobiles, CAN/CSA Z240 SÉRIE MH, au Canada. Cet appareil ne doit être utilisé qu'avec le type de gaz indiqué sur la plaque d'homologation. Un ensemble de conversion est fourni avec l'appareil pour maison mobile.

Cet appareil homologué pour les maisons mobiles et préfabriquées possède des éléments de fixation. L'appareil est muni de deux trous de  $\frac{1}{4}$ " (6,4mm) de diamètre, situés aux coins avant, gauche et droit de la base. Lors d'une installation dans une maison mobile, l'appareil doit être fixé au plancher. Fixez à l'aide de vis #10 à tête hexagonale insérées dans les trous de la base. Éteignez toujours la veilleuse et l'alimentation en gaz à la source avant de déplacer la maison mobile. Après avoir déplacé la maison mobile et avant d'allumer l'appareil, assurez-vous que les bûches sont placées correctement.

Cet appareil est certifié pour être installé dans une maison mobile installée de façon permanente, sauf si les codes locaux l'interdisent. Cet appareil ne doit être utilisé qu'avec le type de gaz indiqué sur la plaque d'homologation. On ne peut utiliser cet appareil avec d'autres types de gaz, sauf si un ensemble de conversion certifié est utilisé.

#### Ensembles de conversion

L'appareil pour maison mobile peut être converti au gaz naturel (GN) ou au propane (PL). Pour effectuer une conversion, veuillez consulter votre détaillant autorisé.

29.1A



## AVERTISSEMENT

RISQUE D'INCENDIE, D'EXPLOSION OU D'ASPHYXIE. ASSUREZ-VOUS QU'IL N'Y AIT AUCUNE SOURCE D'ALLUMAGE COMME DES ÉTINCELLES OU UNE FLAMME NUE.

SOUTENEZ LE CONTRÔLE DU GAZ LORSQUE VOUS ATTACHEZ LE TUYAU POUR ÉVITER DE PLIER LA CONDUITE DE GAZ.

ALLUMEZ TOUJOURS LA VEILLEUSE, QUE CE SOIT POUR LA PREMIÈRE FOIS OU LORSQUE L'APPROVISIONNEMENT EN GAZ EST ÉPUISÉ, AVEC LA PORTE VITRÉE OUVERTE OU RETIRÉE. LA PURGE DOIT ÊTRE EFFECTUÉE PAR UN TECHNICIEN QUALIFIÉ. ASSUREZ-VOUS QUE L'ARRIVÉE DE GAZ AU BRÛLEUR EST CONTINUE AVANT DE FERMER LA PORTE. ASSUREZ-VOUS D'UNE VENTILATION ADÉQUATE. POUR LES EMPLACEMENTS DE L'ENTRÉE DU GAZ ET DE L'ENTRÉE ÉLECTRIQUE, VOIR LA SECTION « DIMENSIONS ».

LORSQUE LE BRANCHEMENT EST TERMINÉ, TOUS LES RACCORDS DE GAZ DOIVENT SE TROUVER À L'INTÉRIEUR DU FOYER.

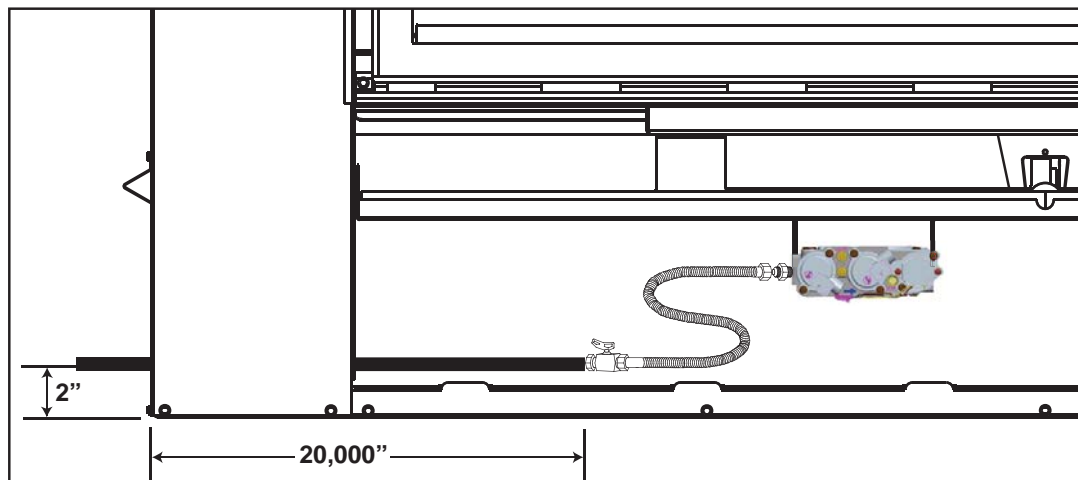
LES PRESSIONS ÉLEVÉES ENDOMMAGERONT LA SOUPE. L'ALIMENTATION EN GAZ DOIT ÊTRE DÉBRANCHÉE PENDANT LES ESSAIS DE PRESSION DE CE SYSTÈME LORSQUE LES PRESSIONS D'ESSAI EXCÈDENT ½ LB/PO<sup>2</sup> (3,5 KPA).

LES RÉGLAGES DE LA SOUPE ONT ÉTÉ FAITS EN USINE; NE LES MODIFIEZ PAS.

L'installation et l'entretien doivent être effectués par un installateur qualifié.

- A. Mettez l'appareil en place et fixez-le.
- B. Si l'appareil est muni d'un raccord flexible, celui-ci est conçu pour recevoir une conduite de gaz de 1/2". Sans raccord flexible, l'appareil est conçu pour recevoir une conduite de gaz de 3/8". L'appareil est muni d'une soupape d'arrêt manuelle pour fermer l'alimentation en gaz.
- C. Branchez le gaz en conformité avec les codes locaux. En l'absence de codes locaux, l'installation doit être conforme au Code d'installation du gaz CAN/CSA-B149.1 dans sa version pour le Canada ou le National Fuel Gas Code, ANSI Z223.1 / NFPA 54 pour les États-Unis.
- D. Lorsque vous manipulez des conduites de gaz, soutenez la soupape de gaz pour éviter que les conduites ne se plient.
- E. Le raccord flexible de l'alimentation en gaz devrait être suffisamment mobile pour permettre de placer l'assemblage du brûleur sur le côté.
- F. Vérifiez pour des fuites de gaz en appliquant une solution d'eau savonneuse. **N'utilisez pas une flamme nue.**

30.1A



**NOTE :** Branchez l'alimentation en gaz à la soupape d'arrêt de 1/2" (13mm) et au raccord flexible (fourni). Assurez-vous que le conduit d'alimentation en gaz est bien fixé.

## 5.0 OSSATURE

<b>! AVERTISSEMENT</b>	
<b>RISQUE D'INCENDIE!</b>	
AFIN D'ÉVITER LA POSSIBILITÉ QUE DE L'ISOLATION OU UN COUPE-VAPEUR ENTRENT EN CONTACT AVEC L'EXTÉRIEUR DU CAISSON, IL EST CONSEILLÉ D'INSTALLER L'APPAREIL CONTRE DES MURS FINIS (C.-À-D. PANNEAU DE GYPSE) COMME TOUT AUTRE MUR DE LA MAISON. CECI ASSURERA QUE LE DÉGAGEMENT AUX MATÉRIAUX COMBUSTIBLES EST MAINTENU.	
NE FAITES PAS D'ENTAILLES À L'OSSATURE AUTOUR DES ESPACEURS. NE PAS MAINTENIR LES DÉGAGEMENTS PEUT CAUSER UNE SURCHAUFFE ET UN INCENDIE. EMPÊCHEZ TOUT CONTACT AVEC DE L'ISOLANT QUI S'AFFAISSE, AVEC L'OSSATURE OU AVEC TOUT AUTRE MATÉRIAU COMBUSTIBLE. BLOQUEZ L'ENTRÉE DE L'ENCEINTE POUR EMPÊCHER L'INFILTRATION D'ISOLANT SOUFFLÉ. ASSUREZ-VOUS QUE L'ISOLATION ET LES AUTRES MATÉRIAUX SONT BIEN FIXÉS.	
LORSQUE VOUS CONSTRUISEZ L'ENCEINTE, PRÉVOYEZ L'ÉPAISSEUR DES MATÉRIAUX DE FINITION POUR MAINTENIR LES DÉGAGEMENTS. SI L'OSSATURE OU LES MATÉRIAUX DE FINITION SE TROUVENT À UNE DISTANCE INFÉRIEURE À CELLE INDICQUÉE, ILS DOIVENT ÊTRE FAITS ENTIÈREMENT DE MATÉRIAUX NON COMBUSTIBLES. LES MATÉRIAUX FAITS ENTIÈREMENT D'ACIER, DE FER, DE BRIQUE, DE TUILE, DE BÉTON, D'ARDOISE, DE VERRE OU DE PLÂTRE, OU D'UNE COMBINAISON DE CES MATÉRIAUX, SONT APPROPRIÉS. LES MATÉRIAUX RÉPONDANT À LA NORME ASTM E 136, MÉTHODE DE TEST STANDARD DU COMPORTEMENT DES MATÉRIAUX DANS UNE FOURNAISE AVEC TUBE VERTICAL À 1382° F (750°C), ET À LA NORME UL763 SONT CONSIDÉRÉS COMME ÉTANT DES MATÉRIAUX NON COMBUSTIBLES.	
AFIN D'ÉVITER UN RISQUE D'INCENDIE, LES DÉGAGEMENTS MINIMAUX AUX MATÉRIAUX COMBUSTIBLES DOIVENT ÊTRE MAINTENUS.	
L'ENCEINTE DE L'APPAREIL DOIT RESPECTER LA HAUTEUR MINIMALE REQUISE. MESUREZ À PARTIR DE LA BASE DE L'APPAREIL.	
SI DES ENSEMBLES DE MONTANTS EN ACIER AVEC PANNEAU DE CIMENT SONT FOURNIS, OU SPÉCIFIÉ DANS LES INSTRUCTIONS D'INSTALLATION, ILS DOIVENT ÊTRE INSTALLÉS.	
LES MATÉRIAUX DE FINITION DOIVENT ÊTRE NON COMBUSTIBLES PLACER ÉCLAT AVEC LA FACE DE L'APPAREIL ÉTENDUE DU SOMMET DE L'APPAREIL COMME LE CONSEIL DE CIMENT, LE CARREAU EN CERAMIQUE, LE MARBRE, ETC. NE PAS UTILISÉ DES BÛCHES OU LE CLOISON SECHE. N'IMPORTE QUEL FEU A ÉVALUÉ DU CLOISON SÈCHE N'EST PAS ACCEPTABLE.	

71.1B

Le LHD50 est installé dans une ouverture rectangulaire. Il est préférable de construire l'ossature après que l'appareil est en place et que le système d'évacuation est installé. Utilisez l'ossature en acier fournie.

**Conservez ces dégagements minimaux aux matériaux combustibles :****Ossature de l'appareil :**

Utilisez l'ossature en acier fournie.

**Contour de finition de l'appareil incombustible :**

- Façade - 9" (229mm) sur les côtés de l'ouverture de l'appareil
- 32" (813mm) au-dessus de l'ouverture de l'appareil

**Contour de finition de l'appareil combustible :**

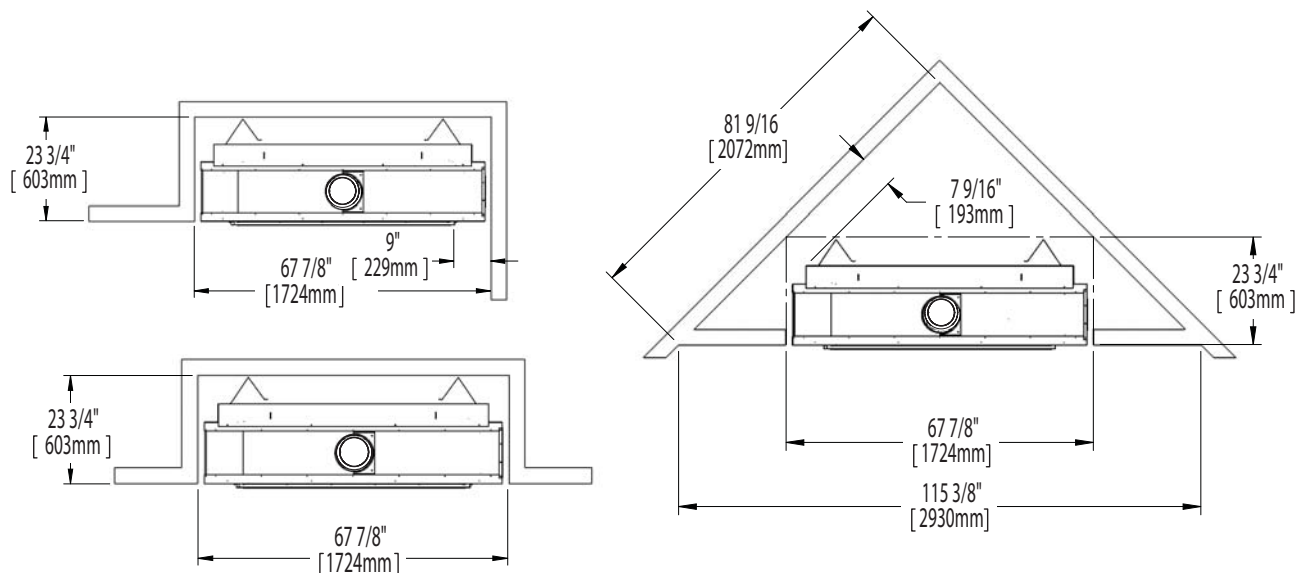
- 60" (1524mm) du bas de l'appareil jusqu'au haut de l'enceinte
- 3" (76mm) du dessus du conduit d'évacuation\*
- 2" (51mm) des côtés et du dessous du conduit d'évacuation\*

Des matériaux de finition incombustibles (p. ex. : panneau de ciment, brique, pierre, tuile) peuvent être utilisés pour finir la façade de l'appareil.

FR

**\*SECTIONS D'ÉVENTS HORIZONTALES :** Un dégagement minimal aux matériaux combustibles de 3" (76mm) au-dessus et 2" (51mm) au-dessous et sur les côtés de l'évent doit être maintenu sur toutes les courses horizontales. Les sections d'évents horizontales dans l'enceinte requièrent un dégagement minimal de 6" (152mm) sur le dessus. Voir la section « DÉGAGEMENTS MINIMAUX DE L'ENCEINTE ». Utilisez l'espaceur coupe-feu W010-2107 (fourni).

**\*SECTIONS D'ÉVENTS VERTICALES :** Un dégagement minimal aux matériaux combustibles de 1" (25mm) est requis sur toutes les courses verticales. Les sections d'évents verticales dans l'enceinte requièrent un dégagement minimal de 2" (51mm) tout autour de l'évent. Utilisez l'espaceur coupe-feu W500-0028 (non fourni).



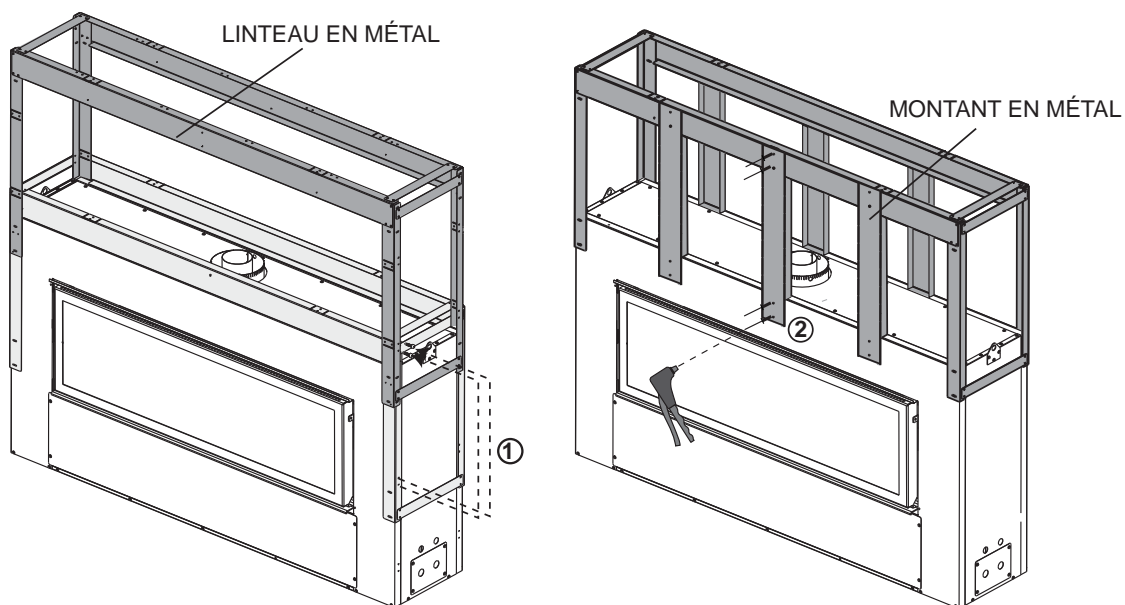
## 5.1 APPAREIL BINAIRE

**! AVERTISSEMENT**

**LES BORDS SONT COUPANTS. PORTEZ TOUJOURS DES GANTS LORSQUE VOUS TRAVAILLEZ AVEC DES FEUILLES DE MÉTAL.**

- A. Soulevez l'ossature et fixez à l'aide des vis que vous venez d'enlever.
- B. Érigez l'ossature en acier fournie tel qu'illustré et rivetez-la en place.

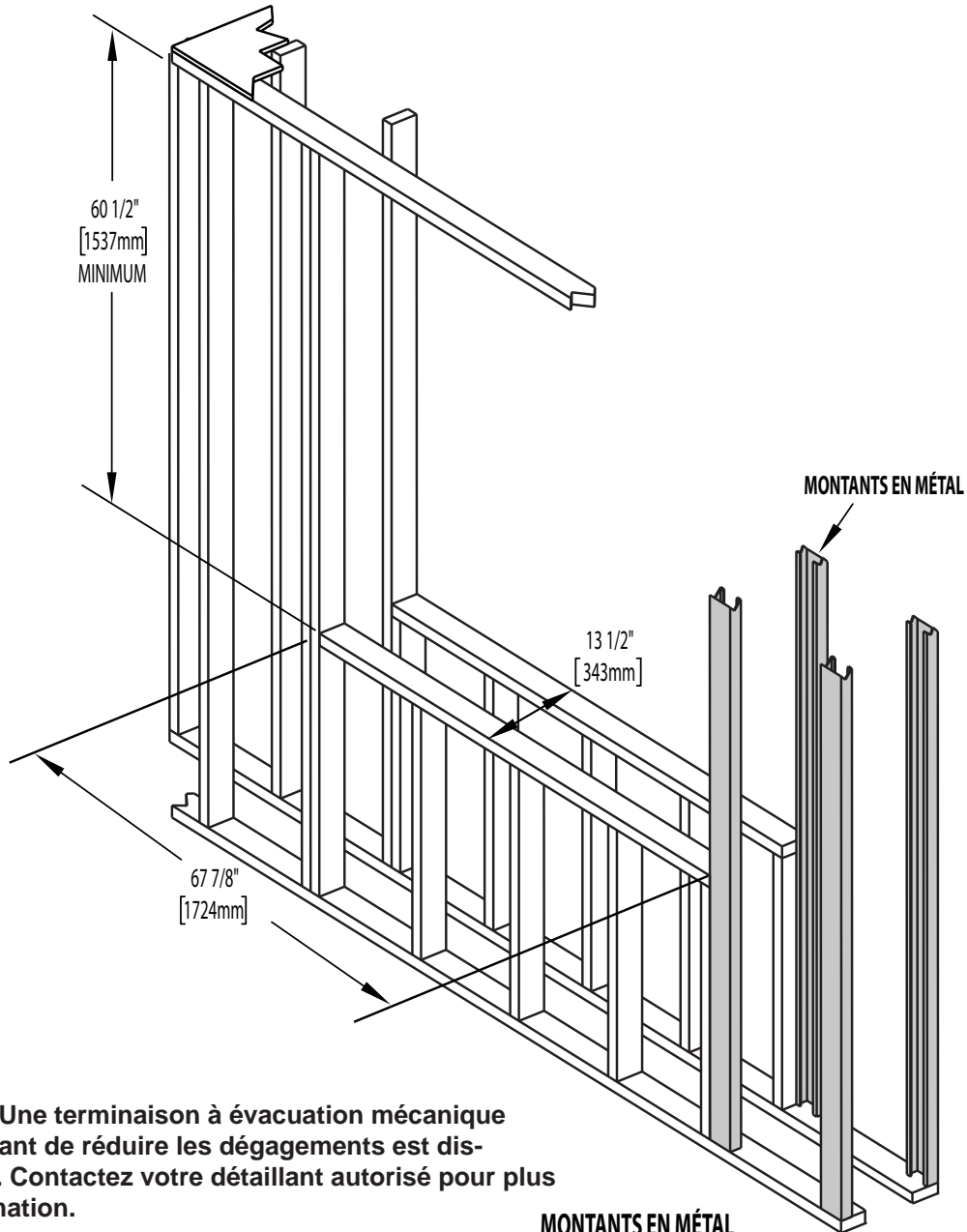
**NOTE :** Pour les matériaux de finition plus lourds comme du marbre, nous vous conseillons d'ajouter un support additionnel à l'ossature. Rivetez les montants en métal en place. Assurez-vous que le support de plancher est adéquat pour l'appareil et le matériau de finition.



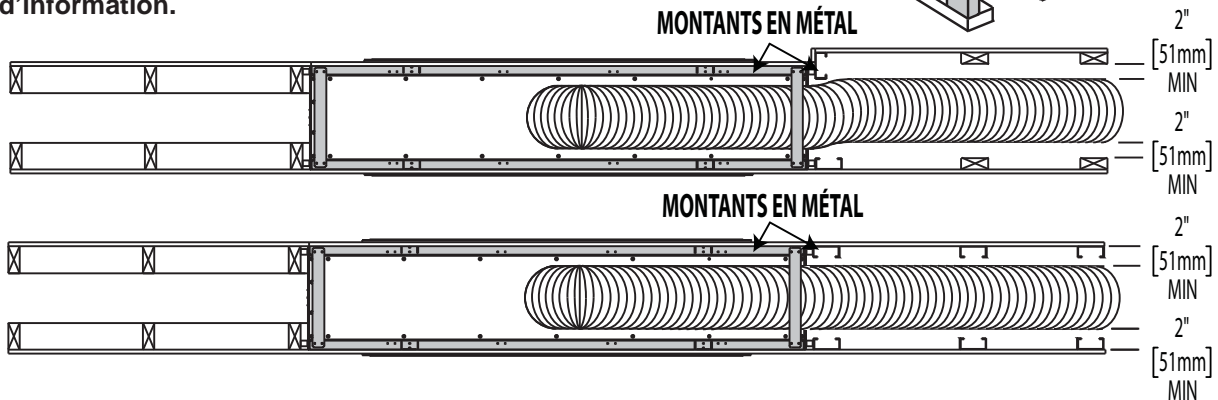
## ⚠ AVERTISSEMENT

DES MONTANTS EN MÉTAL SONT REQUIS POUR ASSURER LES DÉGAGEMENTS AUX MATÉRIEAUX COMBUSTIBLES.

**IMPORTANT :** Avant d'effectuer la finition, vérifiez le fonctionnement de l'appareil à l'aide de la télécommande en testant chacun des différents modes. Voir la section « FONCTIONNEMENT ». Si un dépannage s'avère nécessaire, l'accès aux contrôles peut se faire par le panneau d'accès de préinstallation.



**NOTE :** Une terminaison à évacuation mécanique permettant de réduire les dégagements est disponible. Contactez votre détaillant autorisé pour plus d'information.





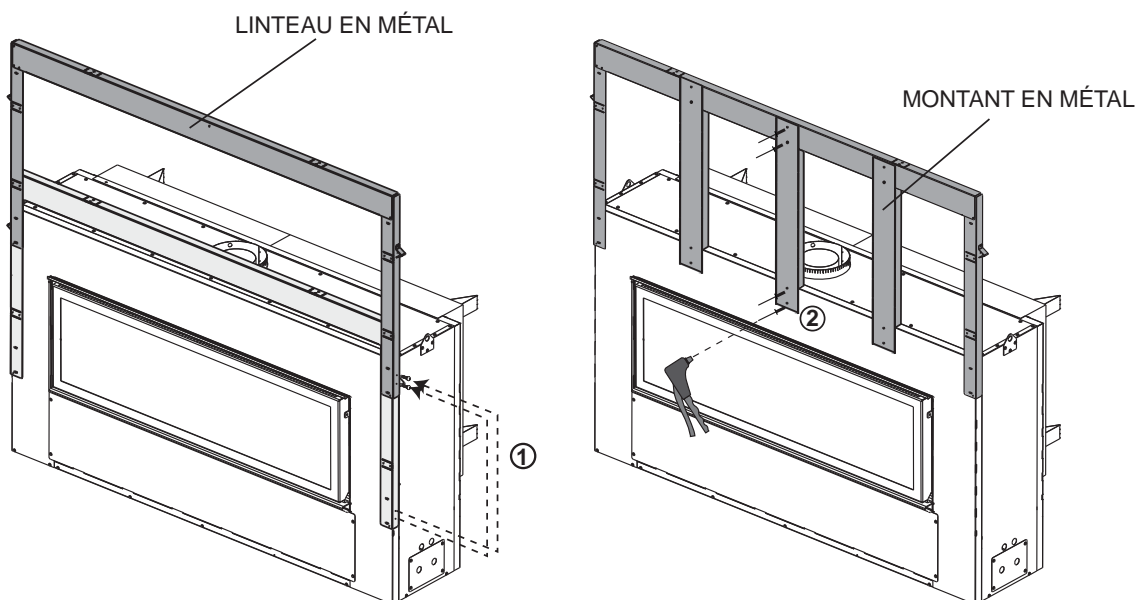
## 5.2 APPAREIL À FACE UNIQUE

**! AVERTISSEMENT**

**LES BORDS SONT COUPANTS. PORTEZ TOUJOURS DES GANTS LORSQUE VOUS TRAVAILLEZ AVEC DES FEUILLES DE MÉTAL.**

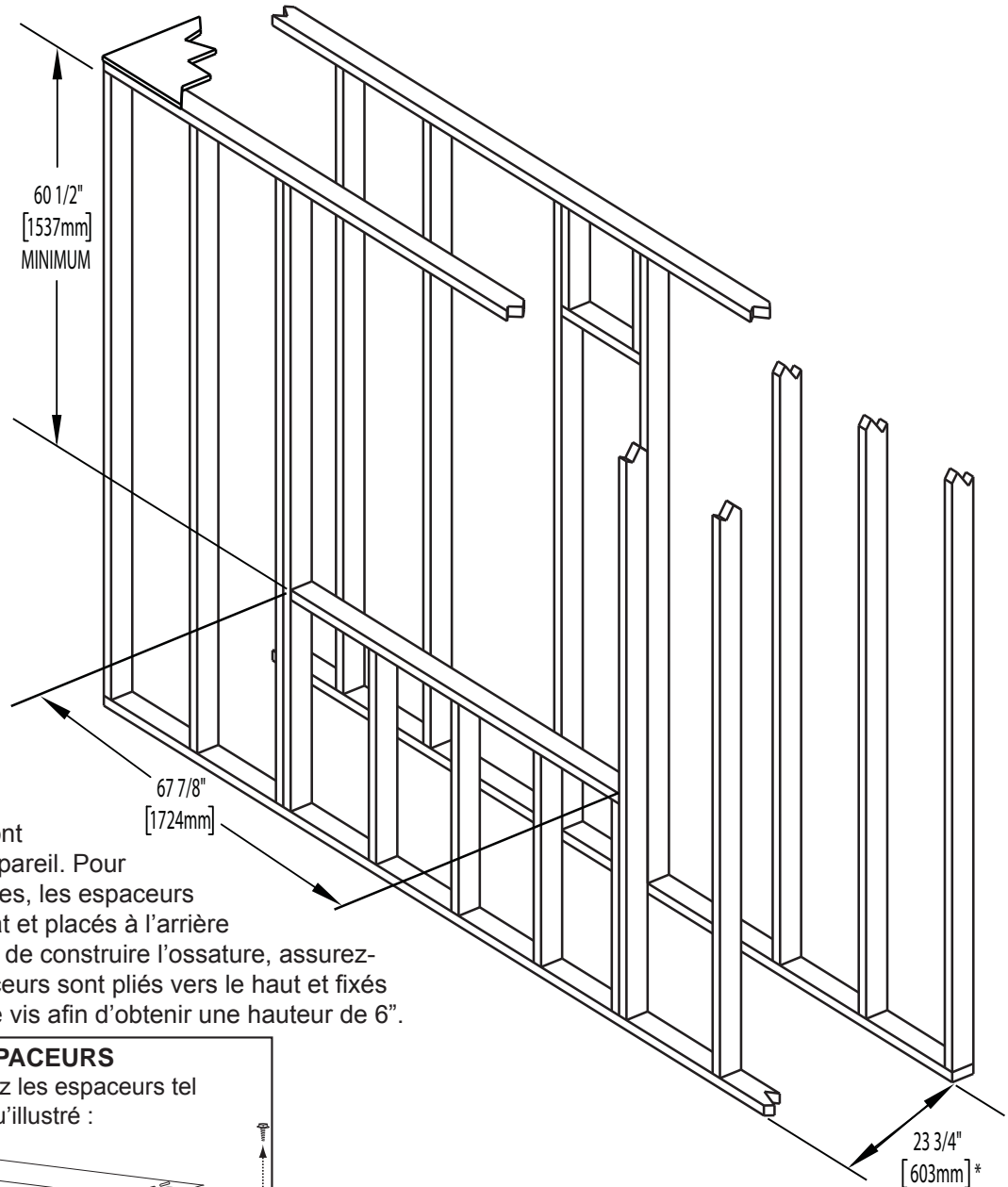
- A. Soulevez l'ossature et fixez à l'aide des vis que vous venez d'enlever.
- B. Érigez l'ossature en acier fournie tel qu'illustré et rivetez-la en place.

**NOTE :** Pour les matériaux de finition plus lourds comme du marbre, nous vous conseillons d'ajouter un support additionnel à l'ossature. Rivetez les montants en métal en place. Assurez-vous que le support de plancher est adéquat pour l'appareil et le matériau de finition.

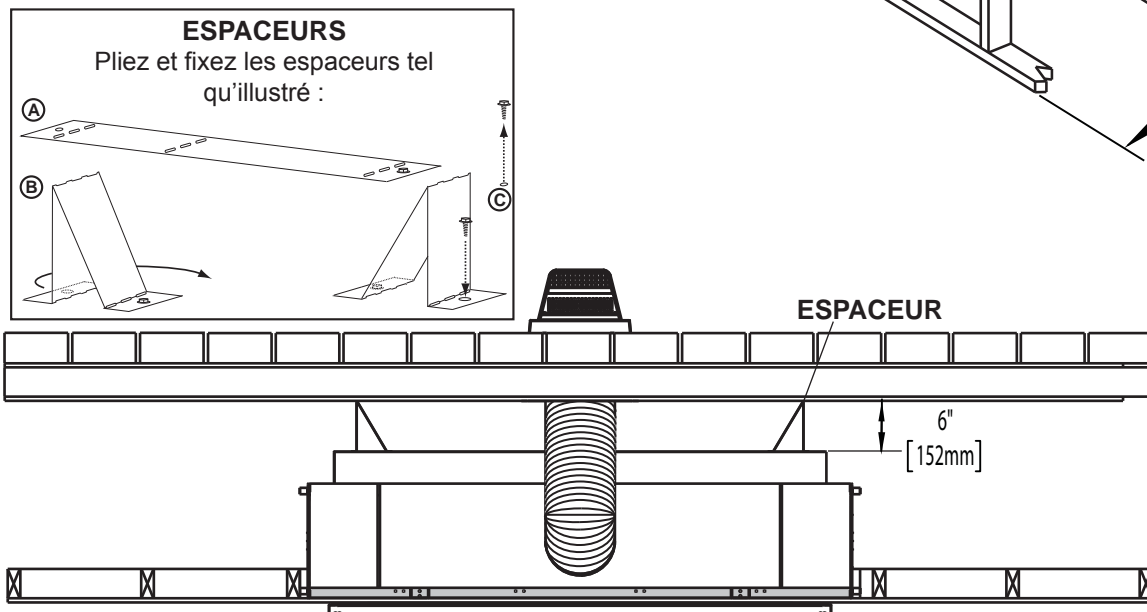


\* Lorsque vous construisez l'enceinte, prévoyez l'épaisseur des matériaux de finition pour maintenir les dégagements.

**IMPORTANT :** Avant d'effectuer la finition, vérifiez le fonctionnement de l'appareil à l'aide de la télécommande en testant chacun des différents modes. Voir la section « FONCTIONNEMENT ». Si un dépannage s'avère nécessaire, l'accès aux contrôles peut se faire par le panneau d'accès de préinstallation.



Deux espaceurs sont fournis avec cet appareil. Pour des raisons pratiques, les espaceurs sont expédiés à plat et placés à l'arrière de l'appareil. Avant de construire l'ossature, assurez-vous que les espaceurs sont pliés vers le haut et fixés en place à l'aide de vis afin d'obtenir une hauteur de 6".



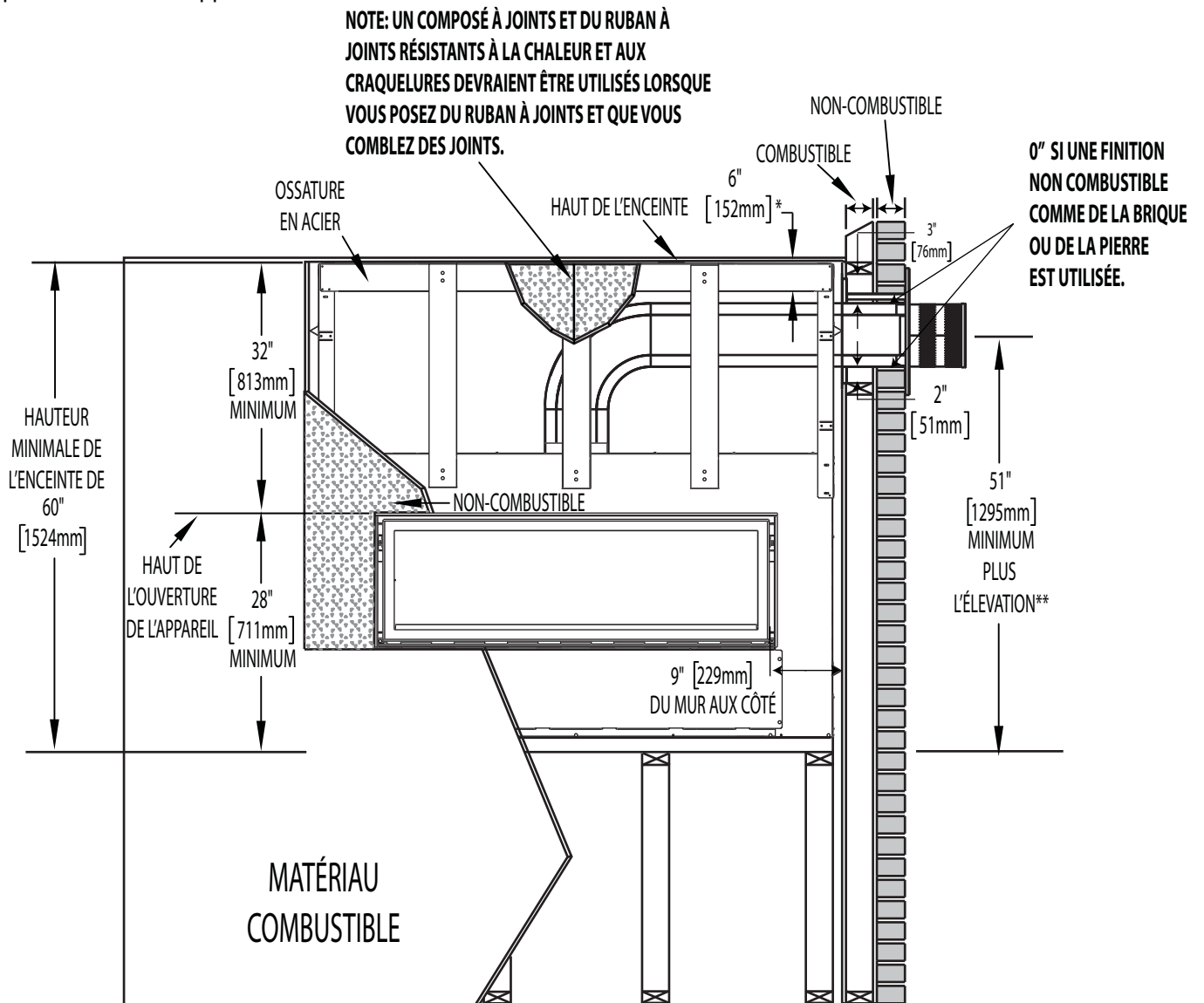
## 5.3 DÉGAGEMENT MINIMAL AUX ENCEINTES COMBUSTIBLES

**! AVERTISSEMENT**

**LA FAÇADE DE L'APPAREIL DOIT ÊTRE FINIE AVEC DES MATÉRIAUX NON COMBUSTIBLES TELS QUE DE LA BRIQUE, DU MARBRE, DU GRANITE, ETC. ASSUREZ-VOUS QUE CES MATÉRIAUX N'EMPIÈTENT JAMAIS SUR L'OUVERTURE DU L'APPAREIL.**

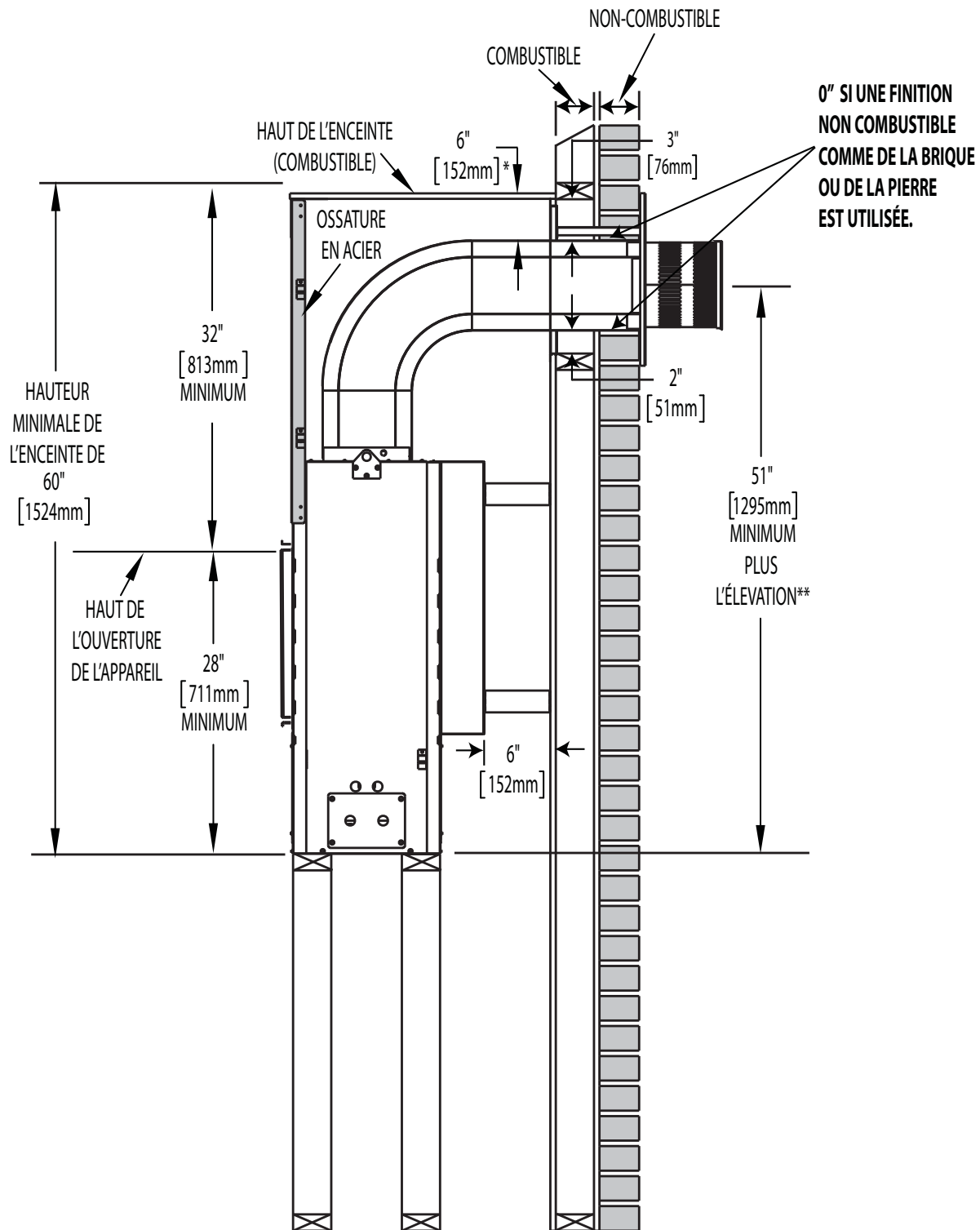
**IMPORTANT :** Le LHD50 requiert une hauteur d'enceinte minimale de 60" (1524mm), à partir de la base de l'appareil. Afin de respecter les contraintes de température, cet espace doit demeurer sans obstruction. Il est recommandé que l'enceinte soit ventilée dans le haut et le bas afin de faire circuler l'air chaud.

Avant d'effectuer la finition, vérifiez le fonctionnement de l'appareil à l'aide de la télécommande en testant chacun des différents modes. Voir la section « FONCTIONNEMENT ». Vérifiez la pression, voir la section « RÉGLAGE DE LA VEILLEUSE ». Une fois la finition terminée, l'accès aux commandes ne pourra se faire que par l'intérieur de l'appareil.



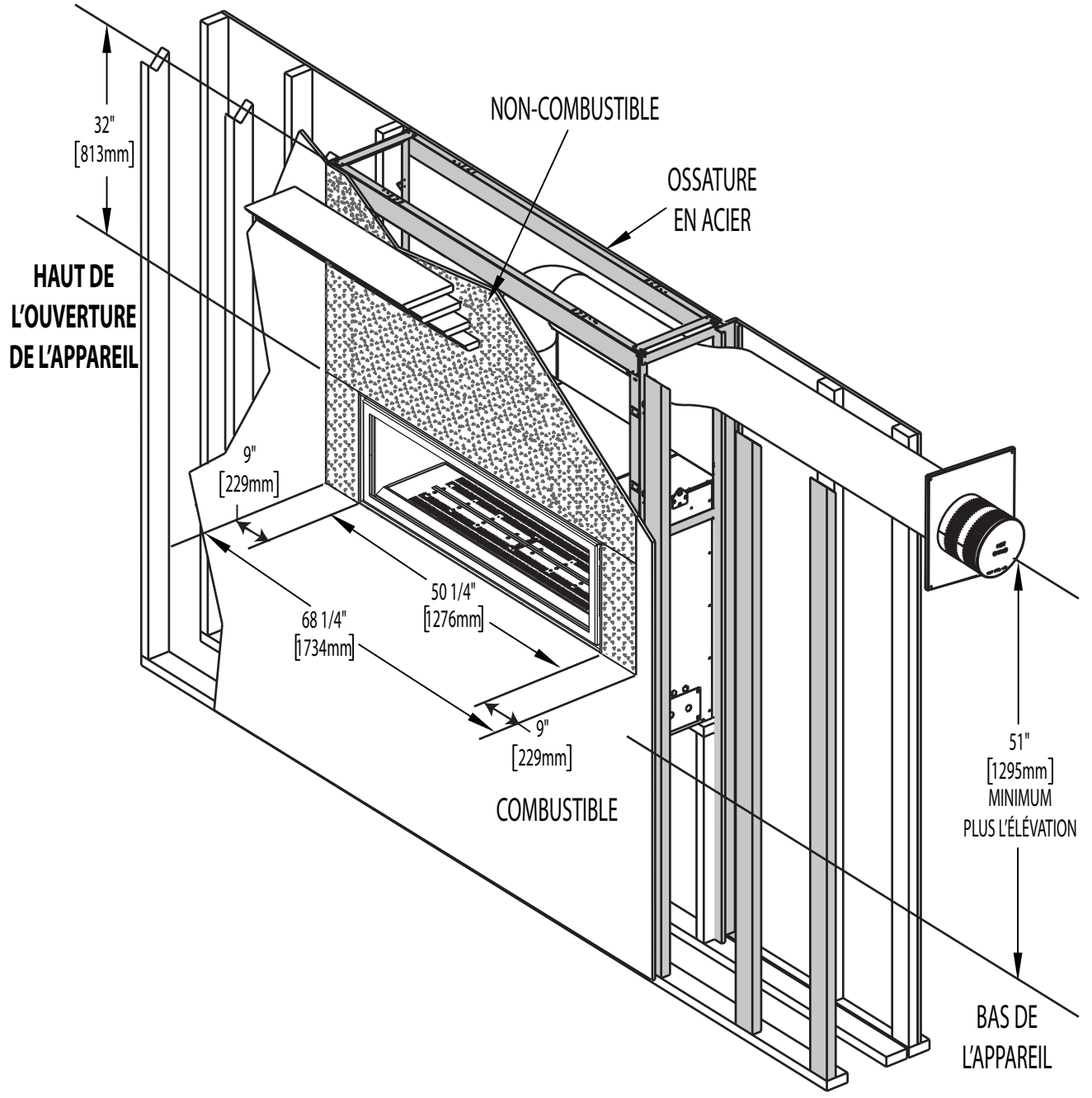
\* À l'intérieur de l'enceinte, un dégagement de 6" (152mm) est requis entre le haut du conduit d'évacuation et les matériaux combustibles. Pour tout autre dégagement à l'intérieur de l'enceinte, y compris l'endroit où le conduit d'évacuation sort de l'enceinte, l'espacement requis est de 2 po (51mm) à partir des côtés et du bas, de 3 po (76mm) à partir du haut pour les sections horizontales, et de 1 po (25mm) pour les sections verticales.

\*\* Consultez la section « Évacuation ».



\* À l'intérieur de l'enceinte, un dégagement de 6" (152mm) est requis entre le haut du conduit d'évacuation et les matériaux combustibles. Pour tout autre dégagement à l'intérieur de l'enceinte, y compris l'endroit où le conduit d'évacuation sort de l'enceinte, l'espacement requis est de 2 po (51mm) à partir des côtés et du bas, de 3 po (76mm) à partir du haut pour les sections horizontales, et de 1 po (25mm) pour les sections verticales.

\*\* Consultez la section « Évacuation ».



## ! AVERTISSEMENT

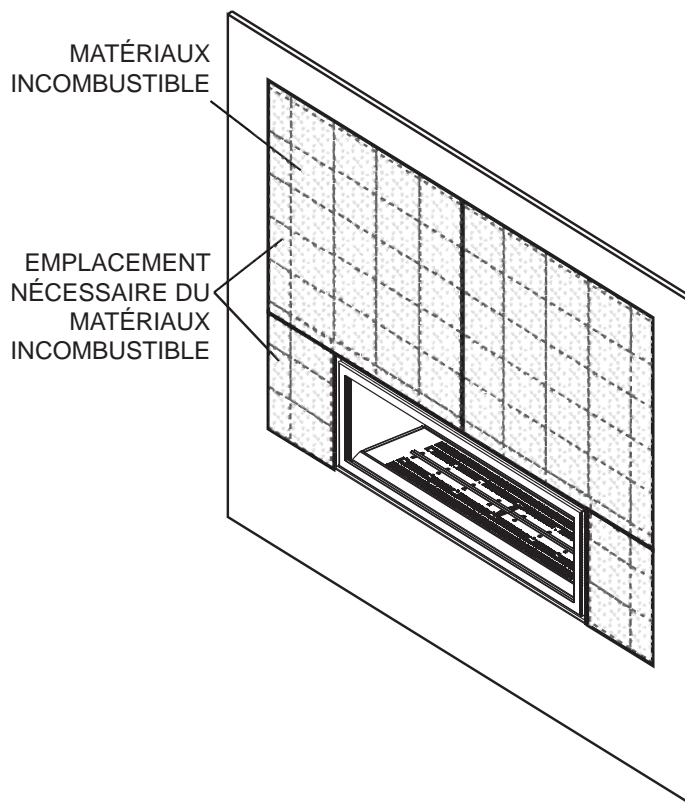
**UNE BORDURE DE FINITION INCOMBUSTIBLE COMME DE LA BRIQUE, DU MARBRE, DU GRANITE, ETC. EST REQUISE. IL EST INTERDIT D'UTILISER SEULEMENT DES PANNEAUX DE CIMENT POUR LA FINITION DES CÔTÉS ET DU DESSUS DE L'APPAREIL.**

**LA SURFACE AU-DESSUS DE L'APPAREIL DEVIENT TRÈS CHAUDE. SI DES MATÉRIEAUX DE FINITION INADÉQUATS SONT UTILISÉS, DES CRAQUELURES PEUVENT APPARAÎTRE.**

Si vous utilisez le matériau incombustible, toute la surface doit être couverte avec un matériau de finition incombustible comme de la brique, du marbre, du granite, etc. La pierre décorative à joints secs constitue le matériau de finition idéal.

Le 32 pouces (813mm) au-dessus et le 9 pouces (229mm) sur les côtés de l'ouverture de l'appareil ne peut pas être fini avec les matériaux incombustibles.

Ce n'est pas nécessaire de couvrir toute la surface avec un matériau de finition incombustible si vous utilisez toute d'une feuille de matériau incombustible pleine où exigé. Toutefois, au moins une rangée de carreaux est requise pour la bordure des côtés et du dessus de l'ouverture de la porte. Les carreaux de grande taille sont préférables.



**NOTE :** Gardez les vis de fixation du matériau incombustible à au moins 6" (152mm) du côté et du dessus de l'ouverture de la porte. Ceci permettra de légers mouvements lors du fonctionnement normal de l'appareil.

### Composé à joints au besoin

Des composés à joints tels Durabond 90 et des rubans à joints résistants à la chaleur et aux craquelures devraient être utilisés lorsque vous posez du ruban à joints et que vous comblez des joints.

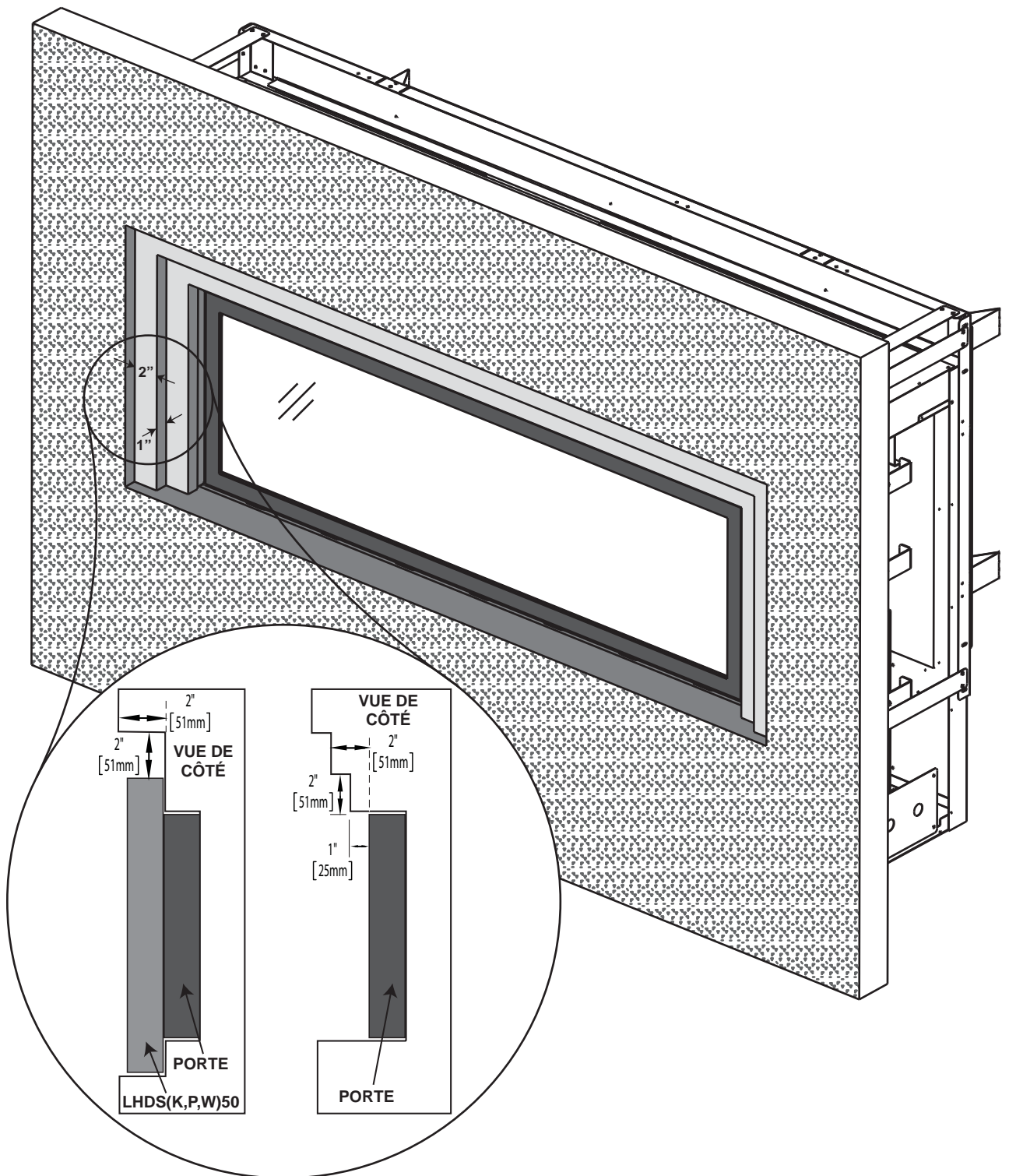
### Installation des carreaux et du coulis

Nous recommandons d'utiliser des carreaux à joints secs et de les installer à l'aide d'un mortier à deux composants avec un additif au latex acrylique tel que Mapei Kerabond/Kerlastic, pour permettre un léger mouvement lors du fonctionnement normal de l'appareil.

Si du coulis est utilisé entre les carreaux, un coulis à base de polymère tel que Mapei Ultracolor plus est recommandé.

### Apprêt/Peinture

Pour une surface peinte, utilisez un apprêt au latex 100 % acrylique et une couche de finition.



**AVERTISSEMENT :** Les matériaux de finition non combustibles ajustés sur le cadre, autour de la porte d'opération, ne doivent pas dépasser de plus d'un pouce la façade de la porte (sur les côtés et au-dessus de la porte seulement). Si des projections plus grandes sont requises, augmentez les dégagements des côtés et du dessus de 2" (51mm) pour chaque pouce (25mm) supplémentaire de projection. Si vous utilisez le contour LHDS(K,P,W) 50, un dégagement de 2" (51mm) au-dessus du cadre est requis pour une projection maximale de 2" (51mm). Si des projections plus grandes sont requises, augmentez le dégagement du dessus de 2" (51mm) pour chaque pouce (25mm) supplémentaire de projection.

5.5 DÉGAGEMENTS MINIMAUX DE LA TABLETTE COMBUSTIBLE

**! WARNING**

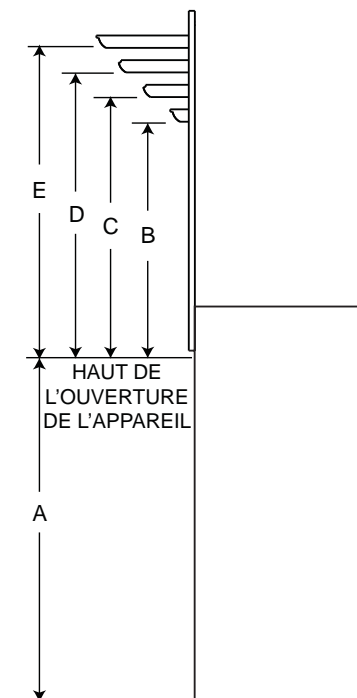
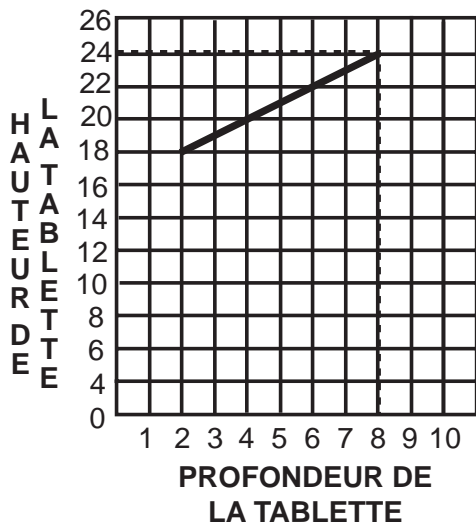
**RISK OF FIRE, MAINTAIN ALL SPECIFIED AIR SPACE CLEARANCES TO COMBUSTIBLES. FAILURE TO COMPLY WITH THESE INSTRUCTIONS MAY CAUSE A FIRE OR CAUSE THE APPLIANCE TO OVERHEAT. ENSURE ALL CLEARANCES (I.E. BACK, SIDE, TOP, VENT, MANTEL, FRONT, ETC.) ARE CLEARLY MAINTAINED.**

**WHEN USING PAINT OR LACQUER TO FINISH THE MANTEL, THE PAINT OR LACQUER MUST BE HEAT RESISTANT TO PREVENT DISCOLOURATION.**

FR

73.1

Le dégagement d'une tablette combustible peut varier selon la profondeur de la tablette. Utilisez le graphique pour vous aider à déterminer le dégagement nécessaire.



DIMENSIONS DE LA TABLETTE		
Réf.	Hauteur	Profondeur
A	28" (711mm)	
B	18" (457mm)	2" (51mm)
C	20" (508mm)	4" (102mm)
D	22" (559mm)	6" (152mm)
E	24" (610mm)	8" (203mm)



## 6.0 FINITIONS

<b>! AVERTISSEMENT</b>	
<b>RISQUE D'INCENDIE!</b>	
<b>N'OBSTRUEZ JAMAIS L'OUVERTURE SUR LE DEVANT DE L'APPAREIL.</b>	
<b>LA FAÇADE DE L'APPAREIL DOIT ÊTRE FAITE DE MATÉRIAUX INCOMBUSTIBLES COMME DE LA BRIQUÉ, DU MARBRE, DU GRANITE, ETC., À CONDITION QUE CES MATÉRIAUX NE SE TROUVENT PAS EN DEÇÀ DE LA DIMENSION SPÉCIFIÉE TEL QU'ILLUSTRÉ. COMME ALTERNATIVE, VOUS POUVEZ UTILISER LE PANNEAU DE GYPSE COMME FINITION POUR VOTRE APPAREIL, VOIR LES ILLUSTRATIONS À SUIVRE.</b>	
<b>NE FRAPPEZ PAS, NE CLAQUEZ PAS ET N'ÉGRATIGNEZ PAS LA PORTE VITRÉE. NE FAITES PAS FONCTIONNER L'APPAREIL LORSQUE LA PORTE VITRÉE EST ENLEVÉE, FISSURÉE, BRISÉE OU ÉGRATIGNÉE.</b>	
<b>LES MATÉRIAUX DE FAÇADE OU DE FINITION NE DOIVENT JAMAIS EMPIÉTER SUR L'OUVERTURE DE L'APPAREIL.</b>	
<b>L'ASSEMBLAGE DE LA PORTE EST CONÇU POUR PIVOTER VERS L'AVANT DE L'ÉVACUATION D'UN SURPLUS DE PRESSION QUI POURRAIT SURVENIR. LES MATÉRIAUX DE FINITION OU TOUT AUTRE MATÉRIAU NE DOIVENT PAS EMPIÉTER SUR L'OUVERTURE ENTOURANT LA PORTE PUISQU'IL NUIRONT AU FONCTIONNEMENT DE LA PORTE LORS DE L'ÉVACUATION D'UN SURPLUS DE PRESSION</b>	

72.6

### 6.1 INSTALLATION/ENLÈVEMENT DE LA PORTE

<b>! AVERTISSEMENT</b>	
<b>LA VITRE PEUT ÊTRE CHAUDE, NE TOUCHEZ PAS LA VITRE JUSQU'À CE QU'ELLE AIT REFROIDI.</b>	
<b>LES LOQUETS DE PORTE FONT PARTIE D'UN DISPOSITIF DE SÉCURITÉ ET DOIVENT ÊTRE ADÉQUATEMENT VERROUILLÉS. NE FAITES PAS FONCTIONNER L'APPAREIL LORSQUE LES LOQUETS SONT DÉVERROUILLÉS.</b>	
<b>LES MATÉRIAUX DE FAÇADE ET DE FINITION NE DOIVENT PAS NUIRE À LA CIRCULATION DE L'AIR DANS LES OUVERTURES D'AIR ET LES PERSIENNES, NI AU FONCTIONNEMENT DES PERSIENNES OU DES PORTES. ILS NE DOIVENT PAS NON PLUS ENTRAVER L'ACCÈS POUR L'ENTRETIEN. RESPECTEZ TOUS LES DÉGAGEMENTS AUX MATÉRIAUX COMBUSTIBLES.</b>	
<b>AVANT D'ENLEVER LA PORTE, ÉTEIGNEZ L'APPAREIL ET ATTENDEZ QUE CE DERNIER SOIT FROID AU TOUCHER. LES PORTES SONT LOURDES ET FRAGILES; MANIPULEZ AVEC SOIN.</b>	

75.1

## ! AVERTISSEMENT

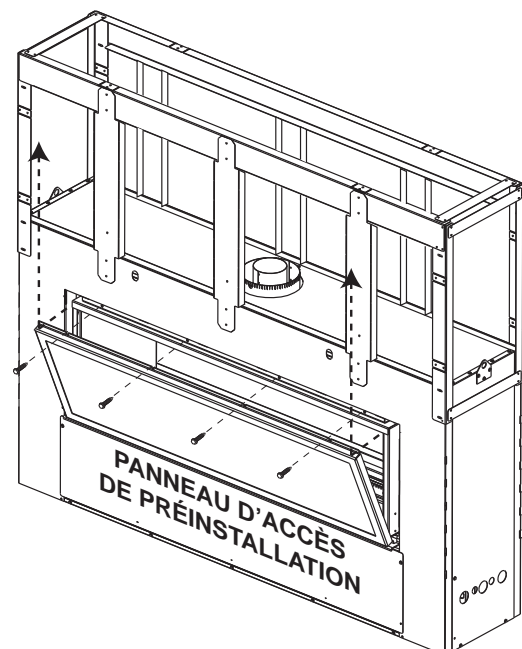
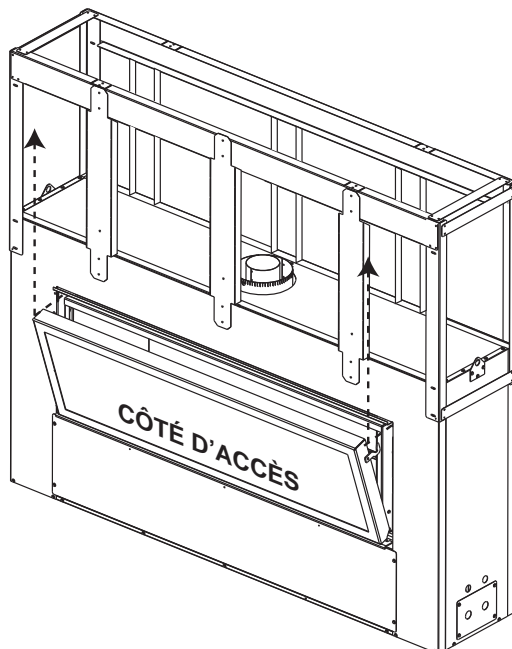
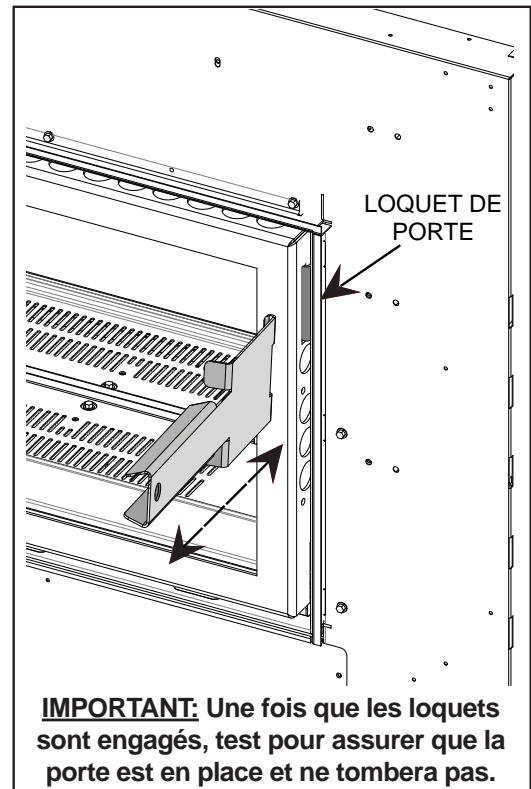
**N'INSERE PAS LES DOIGTS DANS L'ECART ENTRE LA PORTE ET L'OSSATURE, IL Y A UN RISQUE DE BLESSURE EN RAISON DU MECANISME BONDIE.**

### FACE - LE CÔTÉ D'ACCÈS

- A. Localiser les loquets de porte: il y a un à chacune de la côté gauche et droite de la porte entre la porte principale et la bord de l'ossature.
- B. Placer la clé de loquet sur le loquet de porte. Poucer en avant puis retirer hors de l'appareil pour déclencher les loquets de porte.
- C. Pivotez le haut de la porte vers l'avant jusqu'à ce que vous puissiez saisir les côtés. Soulevez la porte hors du support de porte inférieur.
- D. Lorsque vous réins-tallez la porte, insérez-la dans le support de porte inférieur, faites pivoter le haut vers l'appareil et verrouillez.

### ARRIÈRE DE L'APPAREIL BINAIRE SEULEMENT

- E. Retirez les quatre vis qui fixent la porte à l'appareil.
- F. Pivotez le haut de la porte vers l'avant jusqu'à ce que vous puissiez saisir les côtés. Soulevez la porte hors du support de porte inférieur.
- G. Lorsque vous réinstallez la porte, insérez-la dans le support de porte inférieur, faites pivoter le haut vers l'appareil et fixez à l'aide des quatre vis retirées.



## 6.2 BRAISES VITRIFIÉES

**! AVERTISSEMENT**

**NETTOYEZ LES BRAISES VITRIFIÉES AVANT L'INSTALLATION. ASSUREZ-VOUS QU'ELLES SONT SÈCHES AVANT DE LES DISPOSER DANS LE PLATEAU.**

**NE CHANGEZ PAS OU NE SUBSTITUEZ PAS LES BRAISES VITRIFIÉES FOURNIES AVEC CET APPAREIL. EN CAS DE REMPLACEMENT, N'UTILISEZ QUE LES BRAISES VITRIFIÉES DE RECHANGE DISPONIBLES CHEZ VOTRE DÉTAILLANT AUTORISÉ.**

**SEULEMENT ÉTALER UNE COUVERTURE MINCE DE BRAISES VITRIFIÉES SUR LA MAILLE PILOTE POUR QU'IL N'INTERFÈRE PAS AVEC L'OPÉRATION PILOTE.**

Éparpillez soigneusement les braises vitrifiées sur le plateau de manière uniforme. Assurez-vous qu'aucun morceau de verre ne tombe dans la zone du brûleur. Si cela se produit, installez un nouveau sac dans votre aspirateur et aspirez les braises vitrifiées. Des braises vitrifiées de rechange peuvent être commandées auprès de votre détaillant autorisé.

**NETTOYAGE DES BRAISES VITRIFIÉES**

Il est possible qu'un film huileux recouvre les braises. Avant de les disposer dans le plateau, nettoyez les braises avec un savon à vaisselle doux, égouttez-les, rincez-les à fond et laissez-les sécher.

74.2A

**AVERTISSEMENT: NE PLACEZ AUCUN COMPOSANTS DÉCORATIFS AUTOUR OU SUR LE PILOTE, CE LA VONT INTERFÉRER AVEC L'OPÉRATION DU PILOTE. UTILISE SEULEMENT LES COMPOSANTS À CELLE APPROVÉS POUR CETTE APPAREIL. NE PAS TROP REMPLIR LES COMPOSANTS DÉCORATIFS, UTILISE SEULEMENT CE QUI EST FOURNI AVEC L'APPAREIL.**

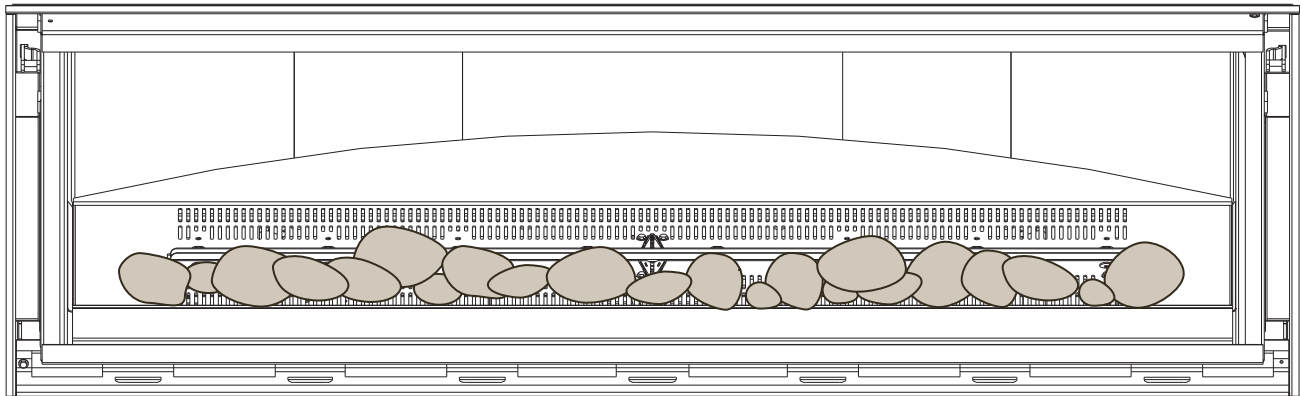
**NOTE :** Assurez-vous que les braises vitrifiées n'encombrent pas l'emplacement de la veilleuse et qu'elles ne nuisent pas à son fonctionnement. Les braises vitrifiées ne doivent pas couvrir les orifices du brûleur.



Placez les éléments décoratifs (formes géométriques, roches ou brindilles) autour du brûleur, tel que désiré, **en vous assurant de ne couvrir aucun orifice du brûleur.** (Il n'y a pas d'emplacement désigné.)



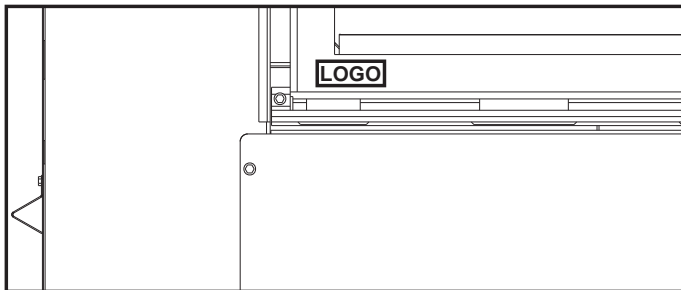
## 6.3 EMBLACEMENT DES ROCHES OPTIONNELLES



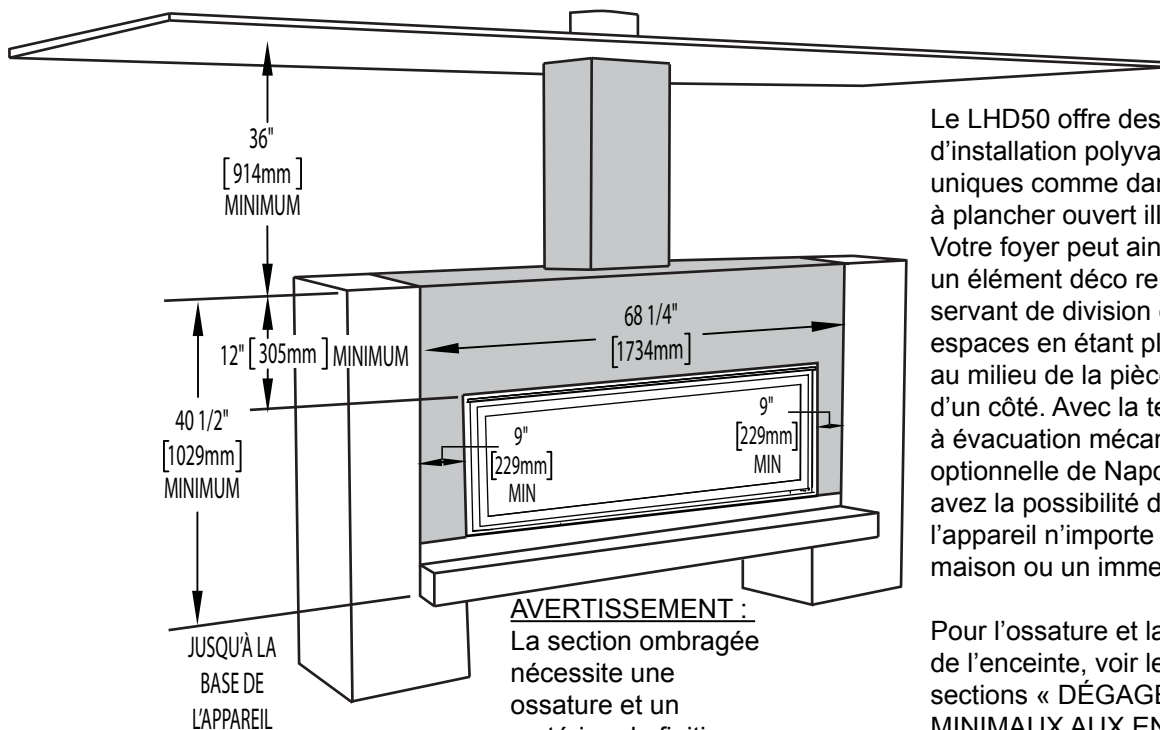
Épaillez les roches réfractaires sur le plateau et autour de celui-ci, et non pas sur les orifices du brûleur ou la veilleuse.

Utilisez un ensemble pour un appareil à face unique et deux ensembles pour un appareil binaire.

## 6.4 MISE EN PLACE DU LOGO



## 6.5 INSTALLATIONS UNIQUES



Le LHD50 offre des possibilités d'installation polyvalentes et uniques comme dans l'exemple à plancher ouvert illustré ici. Votre foyer peut ainsi devenir un élément déco remarquable servant de division entre deux espaces en étant placé soit au milieu de la pièce ou plus d'un côté. Avec la terminaison à évacuation mécanique optionnelle de Napoléon®, vous avez la possibilité d'installer l'appareil n'importe où dans une maison ou un immeuble.

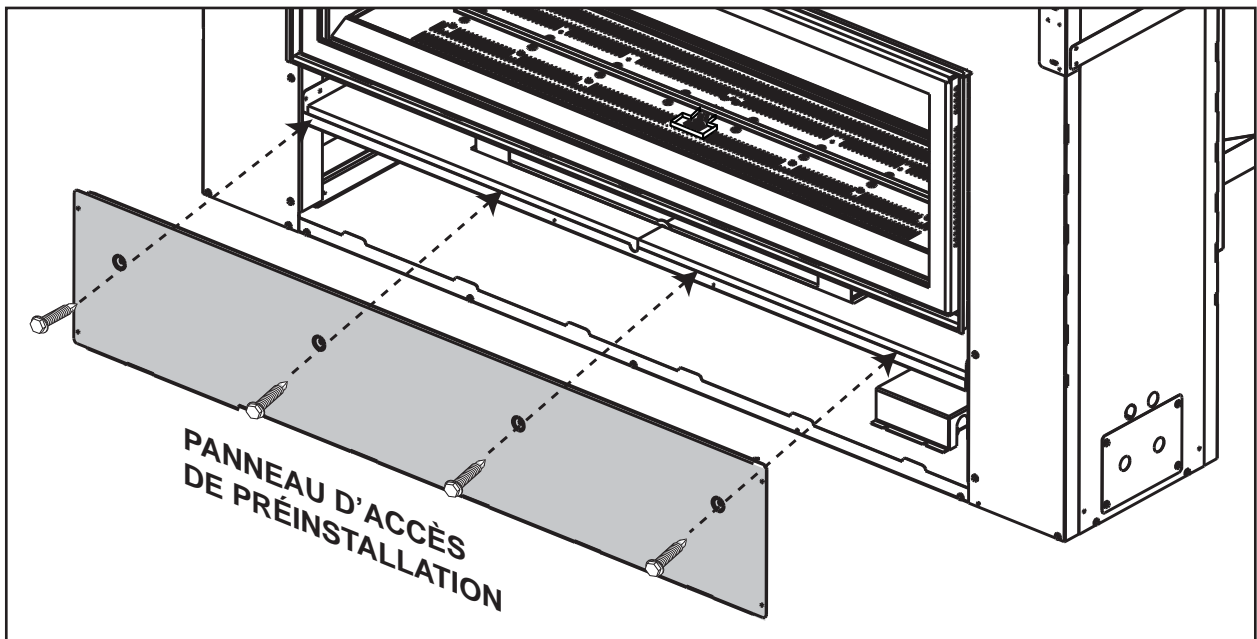
Pour l'ossature et la finition de l'enceinte, voir les sections « DÉGAGEMENTS MINIMAUX AUX ENCEINTES COMBUSTIBLES » et « INSTALLATION DU PANNEAU DE CIMENT ».

## 7.0 BRANCHEMENT ÉLECTRIQUE

<b>! AVERTISSEMENT</b>
<b>N'UTILISEZ PAS CE FOYER SI UNE PARTIE QUELCONQUE A ÉTÉ SUBMERGÉE. CONTACTEZ IMMÉDIATEMENT UN TECHNICIEN DE SERVICE QUALIFIÉ POUR INSPECTER L'APPAREIL POUR DES DOMMAGES AU CIRCUIT ÉLECTRIQUE.</b>
<b>RISQUE DE CHOCS ÉLECTRIQUES OU D'EXPLOSION. NE BRANCHEZ PAS LE 110 V À LA SOUPE À LA SÉRIE OU À L'INTERRUPTEUR MURAL DE L'APPAREIL. UN BRANCHEMENT ÉLECTRIQUE INCORRECT ENDOMMAGERA LES CONTRÔLES.</b>
<b>CET APPAREIL DOIT ÊTRE RACCORDÉ ÉLECTRIQUEMENT PAR UN ÉLECTRICIEN QUALIFIÉ CONFORMÉMENT AUX CODES LOCAUX. EN L'ABSENCE DE CODES LOCAUX, UTILISEZ LA VERSION COURANTE DU CODE CANADIEN DE L'ÉLECTRICITÉ CSA C22.1 AU CANADA OU LE NATIONAL ELECTRICAL CODE ANSI/NFPA 70 AUX ÉTATS-UNIS.</b>
<b>ALLUMEZ TOUJOURS LA VEILLEUSE, QUE CE SOIT POUR LA PREMIÈRE FOIS OU LORSQUE L'APPROVISIONNEMENT EN GAZ EST ÉPUISÉ, AVEC LA PORTE VITRÉE OUVERTE OU RETIRÉE.</b>

69.2

Si vous devez accéder à la zone des commandes AVANT L'INSTALLATION, retirez le panneau d'accès de pré-installation. Vous devez réinstaller le panneau d'accès avant de faire fonctionner l'appareil.



Avant d'effectuer la finition, vérifiez le fonctionnement de l'appareil à l'aide de la télécommande en testant chacun des différents modes. Voir la section « FONCTIONNEMENT ». Une fois la finition terminée, l'accès aux composants de commande ne pourra se faire que par l'intérieur de l'appareil.

**NOTE :** L'interrupteur « ON/OFF » du module de contrôle devrait toujours être à la position « ON ». Si pour une raison quelconque le module est éteint, les composants branchés au module n'auront aucune alimentation électrique.

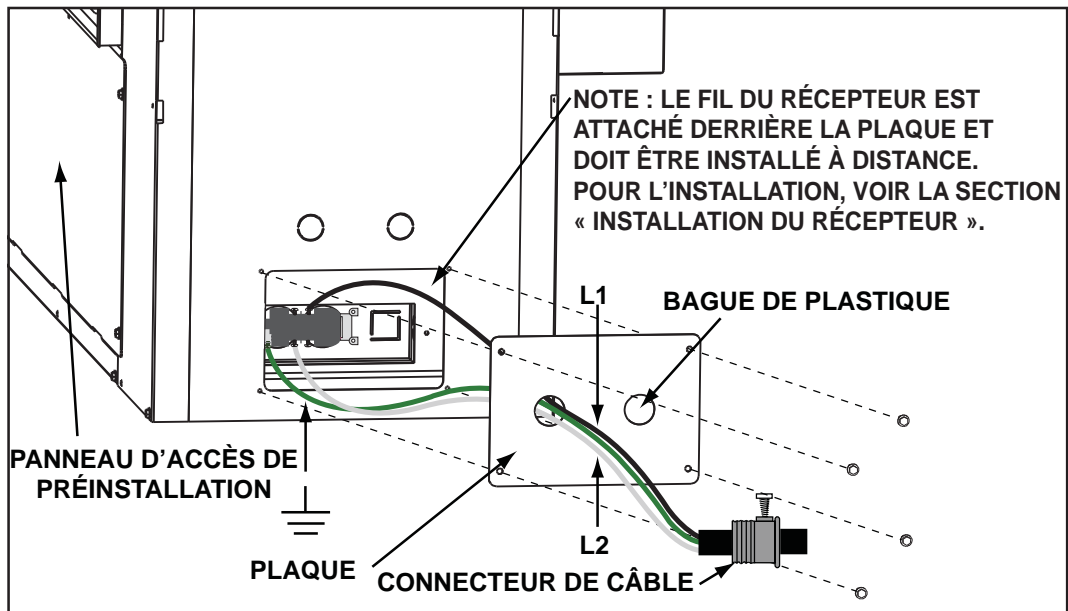
### 7.1 BRANCHEMENT PAR CÂBLE

Vous devez effectuer un branchement par câble avec cet appareil.

Une charpente permanente servant à encasturer l'appareil nécessite un branchement par câble de la boîte de dérivation de l'appareil.

Cet appareil doit être raccordé électriquement et mis à la terre conformément aux codes locaux. En l'absence de codes locaux, utilisez la version courante du CODE CANADIEN DE L'ÉLECTRICITÉ CSA C22.1 au Canada ou le NATIONAL ELECTRICAL CODE ANSI/NFPA 70 aux États-Unis.

## 7.2 SCHÉMA DE CÂBLAGE DU RÉCEPTACLE

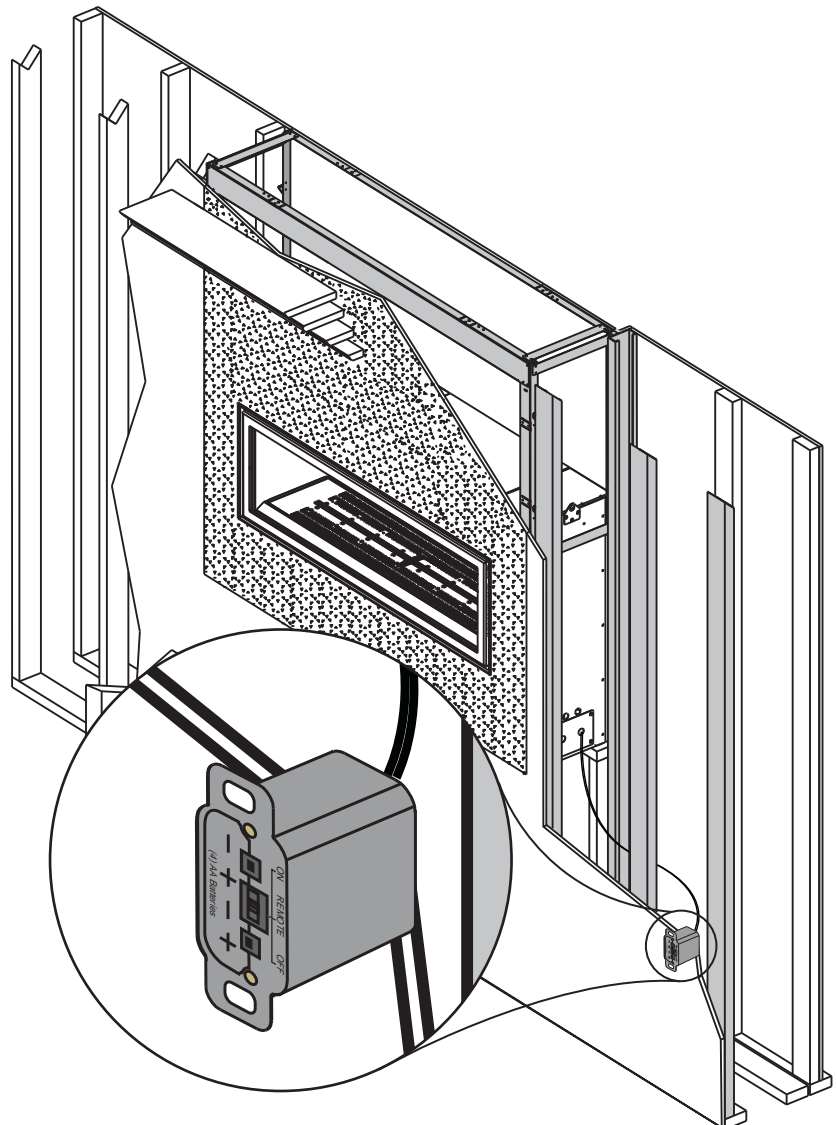


## 7.3 INSTALLATION DU RÉCEPTEUR

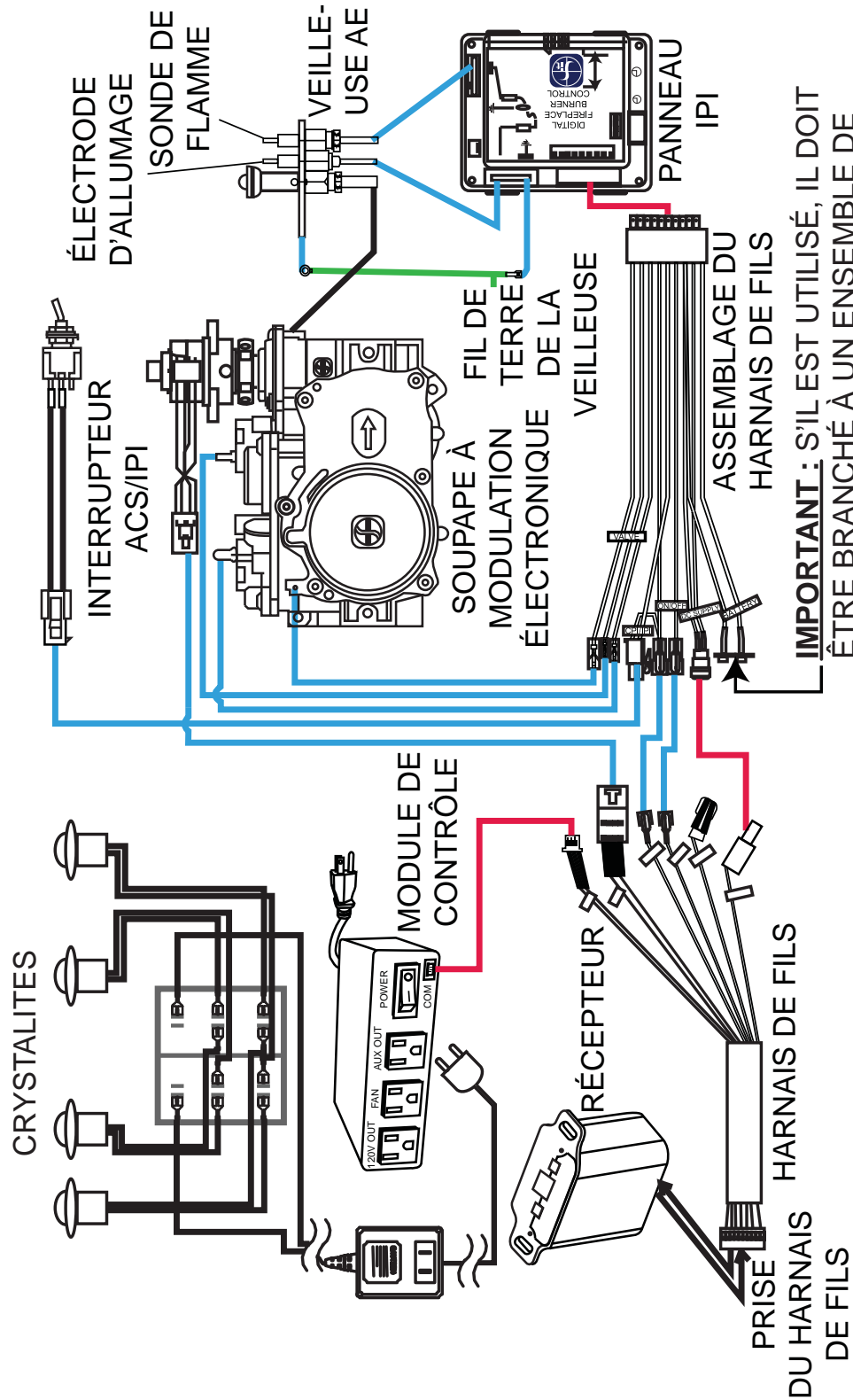
Le récepteur doit être situé à une distance maximale de 8 pieds de ce côté de l'appareil et doit être accessible pour programmer la télécommande.

Installez le récepteur dans un boîtier électrique standard. Déterminez un emplacement approprié et installez le boîtier électrique.

**NOTE :** Assurez-vous que l'interrupteur est en position « REMOTE » (milieu).



**! AVERTISSEMENT**  
 NE BRANCHEZ PAS LE 110 V À LA SOUPEVE OU À L'INTERRUPTEUR MURAL DE L'APPAREIL.



**IMPORTANT :** S'IL EST UTILISÉ, IL DOIT ÊTRE BRANCHÉ À UN ENSEMBLE DE BATTERIES DE 6 VOLTS. TOUTEFOIS, IL NE DOIT PAS ÊTRE UTILISÉ POUR LE FONCTIONNEMENT DU SYSTÈME DE COMMANDE À DISTANCE.

FR

## 8.0 FONCTIONNEMENT

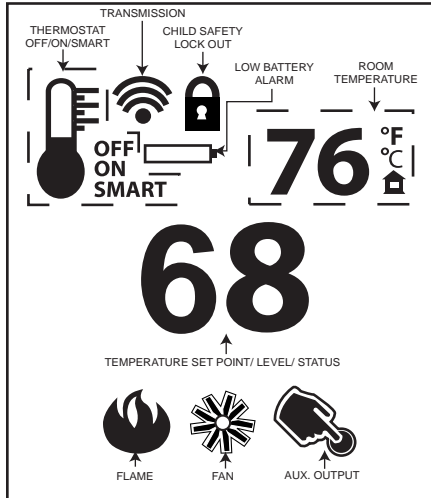
### **! AVERTISSEMENT**

**SI CES INSTRUCTIONS NE SONT PAS SUIVIES À LA LETTRE, UN FEU OU UNE EXPLOSION POURRAIENT S'ENSUIVRE, CAUSANT DES DOMMAGES MATÉRIELS, DES BLESSURES CORPORELLES OU DES PERTES DE VIE.**

**ALLUMEZ TOUJOURS LA VEILLEUSE, QUE CE SOIT POUR LA PREMIÈRE FOIS OU LORSQUE L'APPROVISIONNEMENT EN GAZ EST ÉPUISÉ, AVEC LA PORTE VITRÉE OUVERTE OU RETIRÉE.**

FR

### 8.1 DESSIN GÉNÉRAL DE LA TÉLÉCOMMANDE



35.1

**NOTE:** LE SYSTÈME DE LA TÉLÉCOMMANDE EST ÉQUIPÉ POUR CONTRÔLER UN VENTILATEUR MAIS CETTE CARACTÉRISTIQUE N'EST PAS DISPONIBLE AVEC LE LHD50.

### 8.2 FONCTIONNEMENT DE L'APPAREIL

- A.** Installez 4 piles AA dans le compartiment à piles du récepteur, tel qu'indiqué sur le couvercle (+/-). (Requis uniquement en tant qu'élément de secours en cas de panne de courant.) Bien qu'il soit possible de brancher un ensemble de piles de 6 V (n'utilisez pas de piles de 9 V), il n'est pas conseillé de l'utiliser pour le fonctionnement du système de commande à distance.
- B.** Réglez l'interrupteur à glissière à « REMOTE ».
- C.** Insérez le bout d'un trombone, ou d'un objet similaire, dans le trou « PRG » situé sur le couvercle avant du récepteur. Le récepteur émettra trois (3) bips pour indiquer qu'il est prêt à être synchronisé avec la télécommande.
- D.** Installez les 3 piles AAA dans le compartiment à piles de la télécommande qui se trouve sur la base de la télécommande. Appuyez ensuite sur la touche « ON ». Le récepteur émettra quatre (4) bips pour indiquer que la commande de la télécommande est acceptée et réglée au code spécifique de cette télécommande. Le système est maintenant initialisé.

35.3



### 8.3 FONCTIONNEMENT DE LA TÉLÉCOMMANDE

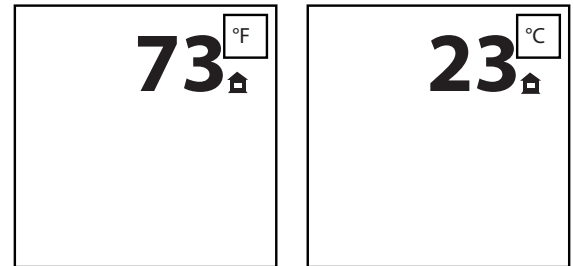
- A.** Appuyez sur la touche « ON/OFF » de la télécommande. L'afficheur de la télécommande affichera toutes les icônes actives à l'écran. Un bip unique du récepteur confirmera la réception de la commande.



35.4

### 8.4 AFFICHEUR DE TEMPÉRATURE

- A.** Avec le système en position «OFF», appuyez simultanément sur les touches «TEMPÉRATURE» et «MODE» pour passer de l'affichage de la température en Fahrenheit à Celsius.
- B.** Vérifiez l'afficheur ACL de la télécommande pour vous assurer que le C ou le F est visible à la droite de l'affichage de la température de la pièce.

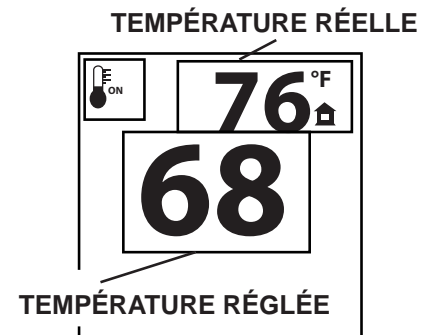


35.5A

### 8.5 THERMOSTAT DE PIÈCE

La télécommande peut fonctionner comme un thermostat de pièce. Le thermostat peut être réglé à une température désirée pour contrôler le niveau de confort dans la pièce.

- A.** Appuyez sur la touche « THERMOSTAT ». L'afficheur ACL de la télécommande indiquera que la pièce est « ON » et la température réglée est maintenant affichée.
- B.** Pour ajuster la température réglée, appuyez sur la touche haut/bas jusqu'à ce que la température désirée s'affiche sur l'écran ACL de la télécommande.

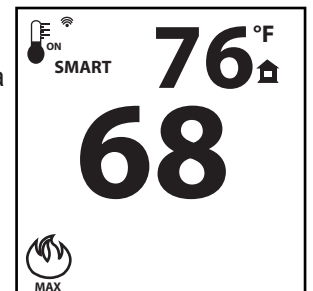


35.6

### 8.6 THERMOSTAT SMART

La fonction « Smart Thermostat » (thermostat intelligent) ajuste la hauteur de la flamme selon la différence entre la température réglée et la température réelle de la pièce. Alors que la température de la pièce s'approche à celle du point de réglage, la fonction Smart ajustera automatiquement la hauteur de la flamme.

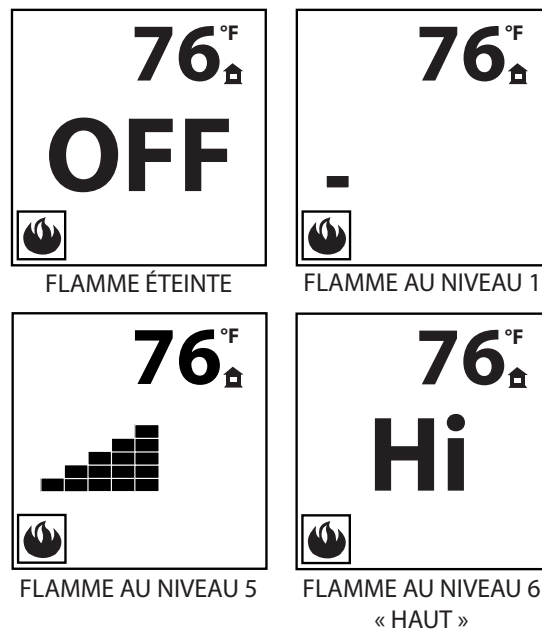
- A.** Appuyez sur la touche « THERMOSTAT » jusqu'à ce que le mot « SMART » apparaisse à la droite de l'icône de thermomètre
- B.** Pour ajuster la température réglée, appuyez sur la touche haut/bas jusqu'à ce que la température désirée s'affiche sur l'écran ACL de la télécommande.



35.7

## 8.7 HAUTEUR DE LA FLAMME

La télécommande comporte six (6) niveaux de flammes. Avec le système en marche et le niveau de la flamme au maximum, appuyez une fois sur la touche bas et cela réduira la hauteur de la flamme d'un niveau jusqu'à ce que la flamme soit éteinte. La touche haut augmentera la hauteur de la flamme chaque fois qu'elle est enfoncée. Si la touche haut est enfoncée lorsque le système est en marche, mais que la flamme est éteinte, la flamme s'allumera en position élevée. Un seul bip confirmera la réception de la commande.

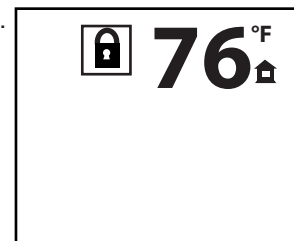


35.8A

## 8.8 FONCTION DE SÉCURITÉ POUR ENFANTS

Cette fonction verrouillera les touches pour empêcher une utilisation non supervisée.

- A. Appuyez simultanément sur les touches « MODE » et haut.
- B. Pour désactiver cette fonction, appuyez simultanément sur les touches «MODE» et haut.

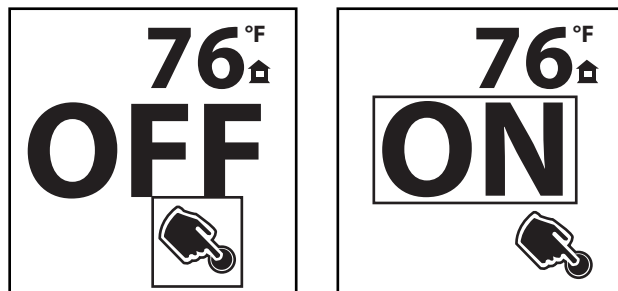


35.10A

## 8.9 CRYSTALITES<sup>MC</sup>

La fonction auxiliaire règle la prise d'alimentation auxiliaire du Module de contrôle qui, à son tour, ajuste la lumière de veille.

- A. Utilisez la touche « MODE » pour vous guider vers l'icône AUX.
- B. Appuyez sur la touche haut pour activer la lumière de veille.
- C. Appuyez sur la touche bas pour éteindre la lumière de veille. Un seul bip confirmera la réception de la commande.



35.11

## 8.10 PILES FAIBLES / DÉRIVATION MANUELLE

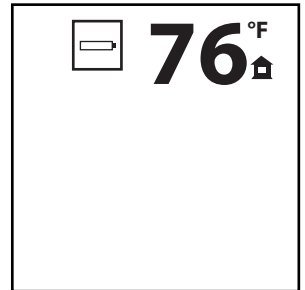
La durée de vie des piles de la télécommande dépend de plusieurs facteurs : la qualité des piles, le nombre d'allumage de l'appareil, le nombre de changements du point de réglage du thermostat, etc.

Dès que les piles de la télécommande sont faibles, l'écran ACL affiche une icône de pile. Celle-ci disparaît lorsque vous remplacez les piles.

Ne s'applique pas lorsque branché à l'alimentation 110 V.

Le récepteur vous avisera que ses piles sont faibles en n'émettant aucun bip lorsqu'il reçoit une commande « ON/OFF ». Dès que les piles seront remplacées, le récepteur émettra à nouveau un bip lorsque la touche « ON/OFF » sera enfoncée.

Si les piles du récepteur ou de la télécommande sont faibles, l'appareil peut être mis en marche manuellement en glissant l'interrupteur à glissière du récepteur à la position «ON». Cela contournera les fonctions de la télécommande et le brûleur principal de l'appareil se mettra en marche si la soupape de gaz est à la position «ON».



35.13A

FR

## 8.11 EN CAS DE PANNE DE COURANT

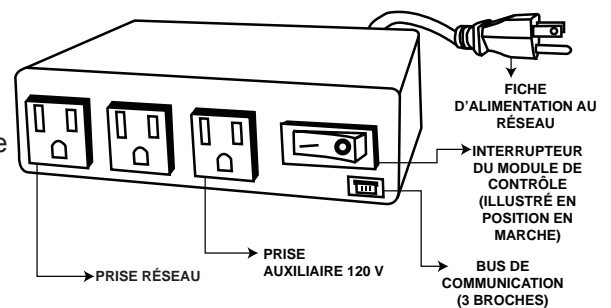
Si le récepteur est muni de piles, celles-ci permettront au contrôle de la hauteur de la flamme, au bouton «ON/OFF» ou au thermostat de contrôler le foyer, lorsque survient une panne électrique. Reportez-vous à la section « FONCTIONNEMENT DE L'APPAREIL » lorsque les communications entre le récepteur et la télécommande sont rompues. Le récepteur émettra un bip pour confirmer la réussite de la programmation une fois que le courant est rétabli. Si le foyer était en marche au moment de la panne de courant, la hauteur de la flamme conservera son réglage. Si le foyer était éteint au moment de la panne, mais qu'il est allumé par la suite, la hauteur de la flamme sera à «HI». La hauteur de la flamme peut alors être ajustée par la télécommande.

35.14A

## 8.12 MODULE DE CONTRÔLE

**Le module de contrôle offre une prise 120 V AUX télécommandée pour la lumière de veille et une prise 120 V à alimentation constante.**

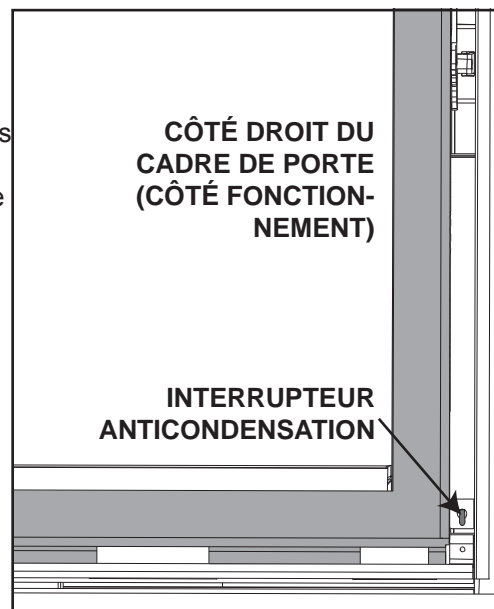
**NOTE :** L'interrupteur « ON/OFF » du module de contrôle devrait toujours être à la position « ON ». Si pour une raison quelconque le module est éteint, les composants branchés au module n'auront aucune alimentation électrique.



35.16

### 8.13 INTERRUPTEUR ANTICONDENSATION

Cet appareil possède l'option de passer d'un mode d'allumage électronique de la veilleuse à un mode où la veilleuse est toujours allumée pour les climats plus froids. L'interrupteur anticondensation (veilleuse permanente) est situé à la droite du cadre de porte principal (côté fonctionnement). Utilisez votre doigt pour faire passer la veilleuse d'un mode à l'autre.



### 8.14 MINUTERIE DE SOUFFLERIE

Votre télécommande est munie d'une minuterie intégrée (en mode thermostat) qui permet d'allumer et d'éteindre la soufflerie automatiquement (si équipé) lorsque le brûleur s'allume et s'éteint. La vitesse de la soufflerie étant déjà réglée sur la télécommande à la vitesse désirée, la soufflerie se mettra en marche environ 5 minutes après l'allumage du brûleur et s'arrêtera environ 12 minutes après la fermeture du brûleur. Ce délai d'attente est conçu pour maximiser la distribution d'air chaud par la soufflerie. Si à un moment ou l'autre le brûleur est réallumé avant que les douze minutes ne soient écoulées, la soufflerie continuera de fonctionner.

**NOTE :** Lors de la séquence d'opération, la soufflerie (si équipé) peut être manuellement allumée/fermée avec la télécommande à tout moment.

35.19B

## 9.0 INSTRUCTIONS DE FONCTIONNEMENT

### **! AVERTISSEMENT**

**SI CES INSTRUCTIONS NE SONT PAS SUIVIES À LA LETTRE, UN FEU OU UNE EXPLOSION POURRAIENT S'ENSUIVRE, CAUSANT DES DOMMAGES MATÉRIELS, DES BLESSURES CORPORELLES OU DES PERTES DE VIE.**

**ALLUMEZ TOUJOURS LA VEILLEUSE, QUE CE SOIT POUR LA PREMIÈRE FOIS OU LORSQUE L'APPROVISIONNEMENT EN GAZ EST ÉPUISÉ, AVEC LA PORTE VITRÉE OUVERTE OU RETIRÉE.**

Assurez-vous que l'arrivée de gaz au brûleur est continue avant de réinstaller la porte. Lorsqu'il est allumé pour la première fois, l'appareil dégagera une légère odeur pendant quelques heures. Cela est une condition normale temporaire causée par le conditionnement des bûches et l'évaporation des peintures et lubrifiants internes utilisés dans le processus de fabrication; elle ne se reproduira plus. Après de longues périodes sans utiliser l'appareil, comme à la suite de vacances ou à la fin de l'été, il se peut qu'une légère odeur se dégage pendant quelques heures. Ceci est causé par des particules de poussière brûlant dans l'échangeur de chaleur. Dans les deux cas, ouvrez une fenêtre pour aérer la pièce.

**POUR VOTRE SÉCURITÉ, LISEZ CE QUI SUIT AVANT D'ALLUMER :**

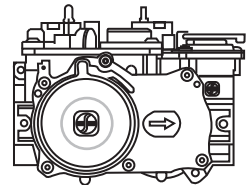
- A.** Cet appareil est équipé d'un dispositif d'allumage qui allume automatiquement la veilleuse. N'essayez pas de l'allumer manuellement.
- B.** Avant d'allumer, sentez autour de l'appareil et près du plancher afin de vous assurer qu'il n'y a pas de fuite de gaz. Certains gaz sont plus lourds que l'air et se déposeront au niveau du plancher.
- C.** N'utilisez pas cet appareil si une partie quelconque a été submergée. Contactez immédiatement un technicien qualifié pour l'inspecter et pour remplacer toute pièce du système de contrôle et du contrôle du gaz qui aurait été submergée.

**QUE FAIRE SI VOUS DÉTECTEZ UNE ODEUR DE GAZ :**

- Coupez l'alimentation en gaz à l'appareil.
- Ouvrez les fenêtres.
- N'allumez aucun appareil.
- Ne touchez à aucun interrupteur électrique; n'utilisez aucun téléphone dans votre immeuble.
- De la maison d'un voisin, appelez immédiatement votre fournisseur de gaz et suivez ses instructions.
- Si vous ne pouvez pas rejoindre votre fournisseur de gaz, appelez le service des incendies.

### INSTRUCTIONS D'ALLUMAGE

1. Arrêtez! Lisez les consignes de sécurité ci-dessus.
2. Enlevez les piles de l'émetteur.
3. Coupez l'alimentation électrique à l'appareil.
4. Cet appareil est équipé d'un dispositif d'allumage qui allume automatiquement la veilleuse. N'essayez pas de l'allumer manuellement.
5. Ouvrez la porte vitrée.
6. Tournez la soupape de sectionnement manuelle vers la droite à « OFF ». Elle est située derrière le panneau d'accès.
7. Attendez cinq (5) minutes pour que le gaz puisse s'échapper. Si vous détectez une odeur de gaz, y compris au niveau du plancher, **ARRÊTEZ!** et suivez les instructions ci-dessus « Que faire si vous détectez une odeur de gaz ». Continuez à l'étape suivante si vous ne sentez pas de gaz.
8. Tournez la soupape de sectionnement manuelle vers la gauche à « ON ».
9. Fermez la porte vitrée.
10. Rétablissez l'alimentation électrique à l'appareil et remettez les piles dans l'émetteur.
11. Appuyez sur le bouton « ON » de la télécommande. Vous devriez entendre un bip du récepteur vous indiquant que la communication est bonne. (Pour activer le récepteur, référez-vous à la section « FONCTIONNEMENT DE L'APPAREIL ».)



### INSTRUCTIONS POUR COUPER LE GAZ

1. Coupez l'alimentation électrique à l'appareil si un travail d'entretien doit se faire.
2. Pour accéder à la soupape d'arrêt manuelle, enlevez la porte d'accès située à l'intérieur de l'appareil.
3. Si une soupape de sectionnement alternative est installée, celle-ci peut être fermée sans avoir à fermer celle à l'intérieur de l'appareil.

## 10.0 RÉGLAGES

### 10.1 ÉTRANGLEMENTS DES ÉVENTS VERTICAUX

Certaines configurations d'évacuation verticales peuvent avoir une flamme très active. Si cette apparence n'est pas désirée, la sortie du conduit d'évacuation doit être réduite en utilisant une plaque de restriction. Pour obtenir l'ensemble approprié, voir les « ACCESSOIRES » à la section « RECHANGES ». Ceci diminuera la vitesse des gaz de combustion, ralentissant ainsi le mouvement de la flamme et créant une apparence plus traditionnelle. Les instructions sont incluses avec l'ensemble.

77.3

FR

### 10.2 RÉGLAGE DE LA VEILLEUSE

Ajustez la vis de la veilleuse pour obtenir une flamme de taille normale. Tournez vers la droite pour réduire l'apport de gaz.

#### **VÉRIFIER LA PRESSION :**

Pour vérifier la pression d'arrivée, tournez la vis (A) vers la gauche deux à trois tours, puis emboîtez le tube du manomètre sur la pointe d'essai. Le manomètre doit indiquer la pression comme décrit sur le diagramme ci-dessous. Assurez-vous que le brûleur principal fonctionne à « HI ».

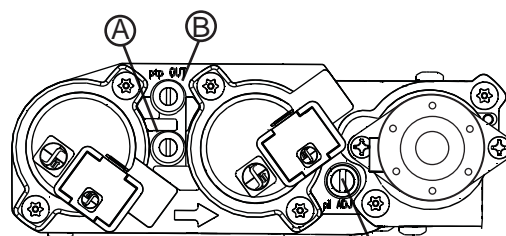
La vérification de la pression de sortie s'effectue comme ci-dessus en utilisant la vis (B). Le manomètre doit indiquer la pression comme décrit sur le diagramme ci-dessous. Assurez-vous que le brûleur principal fonctionne à « HI ».

**APRÈS AVOIR PRIS LA LECTURE DES PRESSIONS, ASSUREZ-VOUS DE TOURNER FERMEMENT LES VIS VERS LA DROITE POUR SCELLER. NE SEREZ PAS TROP FORT.**

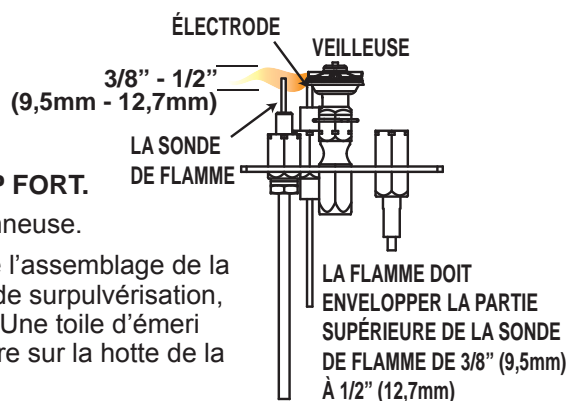
Vérifiez pour des fuites en appliquant une solution d'eau savonneuse.

Avant d'effectuer le réglage de la veilleuse, assurez-vous que l'assemblage de la veilleuse n'a pas été peint. S'il y a des traces de peinture ou de surpulvérisation, enlevez-les de l'assemblage de la veilleuse ou remplacez-le. Une toile d'émeri ou du papier sablé fins peut être utilisé pour enlever la peinture sur la hotte de la veilleuse, sur l'électrode et sur le capteur de flamme.

Pression	Gaz Naturel (pouces)	Gaz Naturel (millibars)	Propane (pouces)	Propane (millibars)
Arrivée	7" (min.4,5")	17,4 mb (min.11,2mb)	13" (min.11")	32,4 mb (min.27,4mb)
Sortie	3,5"	8,7 mb	10"	24,9 mb



**VIS DE LA VEILLEUSE**



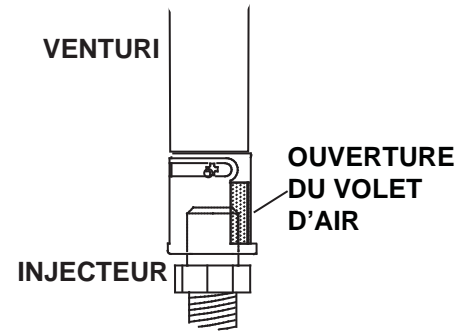
39.1C

### 10.3 RÉGLAGE DU VENTURI

L'ouverture du volet d'air a été pré réglée en usine selon le tableau ci-dessous :

Indépendamment de l'orientation du venturi, plus le volet est fermé, plus la flamme est jaune et aura tendance à causer des dépôts de carbone. Plus le volet est ouvert, plus la flamme est bleue et plus elle a tendance à se détacher des orifices du brûleur. La flamme peut ne pas être jaune immédiatement; allouez de 15 à 30 minutes pour que la couleur finale de la flamme se stabilise.

**LE RÉGLAGE DU VOLET D'AIR DOIT ÊTRE EXÉCUTÉ PAR UN TECHNICIEN OU INSTALLATEUR QUALIFIÉ!**

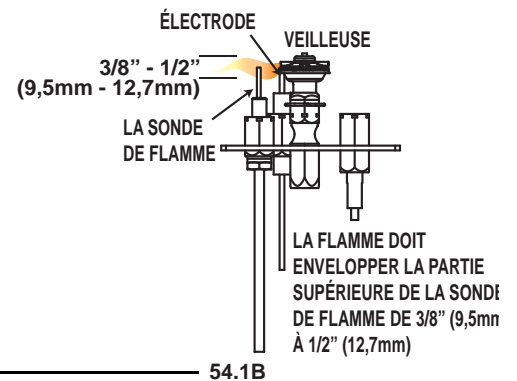


49.1

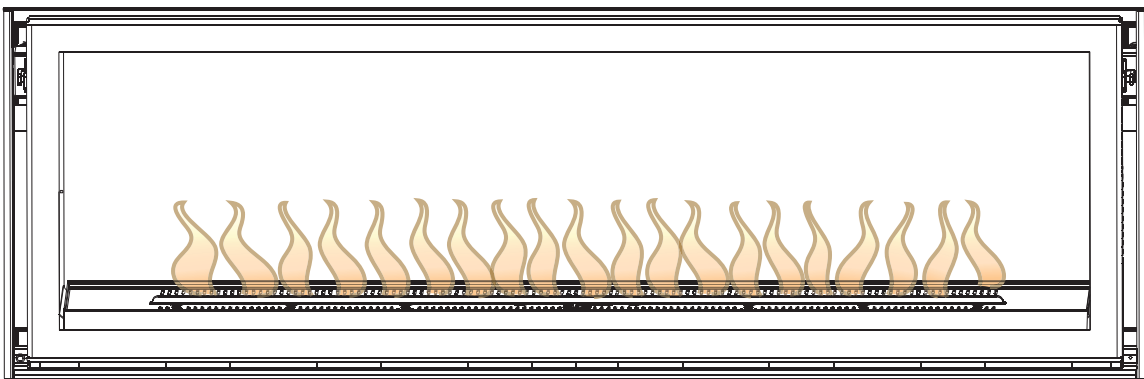
TABLEAU DE RÉGLAGE DU VENTURI	
COMBUSTIBLE	LHD50
GN	1/8" (3mm)
PL	1/4" (6mm)

### 10.4 CARACTÉRISTIQUES DE LA FLAMME

Il est important d'effectuer périodiquement une inspection visuelle de la flamme de la veilleuse et du brûleur. Comparez-les à ces illustrations. Si des flammes paraissent anormales, contactez un technicien de service.



54.1B



## 11.0 ENTRETIEN

**! AVERTISSEMENT**

**COUPEZ L'ALIMENTATION EN GAZ ET L'ALIMENTATION ÉLECTRIQUE AVANT DE PROCÉDER À L'ENTRETIEN DE L'APPAREIL.**

**L'APPAREIL PEUT ÊTRE CHAUD. ATTENDEZ QU'IL SOIT REFROIDI AVANT D'EN FAIRE L'ENTRETIEN.**

**N'UTILISEZ PAS DE PRODUITS ABRASIFS.**

**NE PEINTURE PAS L'ASSEMBLAGE DU VEILLEUSE.**

**ATTENTION :** Lors de l'entretien des contrôles, assurez-vous d'identifier chacun des fils avant de les débrancher. Une réinstallation incorrecte des fils peut occasionner un mauvais fonctionnement et être dangereuse. Assurez-vous que l'appareil fonctionne adéquatement une fois l'entretien terminé. Cet appareil et son système d'évacuation devraient être inspectés avant la première utilisation et au moins une fois l'an par un technicien de service qualifié. L'espace entourant l'appareil doit être gardé propre et libre de matériaux combustibles, d'essence ou autres liquides et vapeurs inflammables. Les apports d'air comburant et d'air de convection ne doivent pas être obstrués.

- A. Pour nettoyer le brûleur principal et la veilleuse adéquatement, il faut retirer les bûches, les roches ou la vitre afin de dégager les deux ensembles.
- B. Gardez le compartiment des contrôles, les composants décoratifs, le brûleur, le volet d'air et l'espace entourant les bûches propres en brossant ou en passant l'aspirateur au moins une fois l'an.
- C. Assurez-vous que tous les orifices des brûleurs produisent des flammes. Nettoyez tous les orifices qui n'ont pas de flamme ou dont la flamme ne brûle pas adéquatement.
- D. Assurez-vous que la flamme de la veilleuse est assez puissante pour envelopper la sonde de flamme et/ou le thermocouple/thermopile et qu'elle atteigne le brûleur.
- E. Remettez en place les bûches, les roches ou la vitre nettoyées, si équipé. Omettre de positionner les composants décoratifs adéquatement peut causer des dépôts de carbone qui peuvent se déposer dans des endroits de séjour avoisinants.
- F. Vérifiez si le brûleur principal allume sur tous les orifices lorsque le bouton de contrôle du gaz est à « ON ». Un temps d'allumage total de 5 à 10 secondes est satisfaisant. Si l'allumage prend plus de temps, consultez votre détaillant autorisé.
- G. Vérifiez si les joints d'étanchéité sur les côtés, le haut et le bas de la porte ne sont pas brisés ou manquants. Remplacez si nécessaire.
- H. Si pour une raison quelconque le système d'évents de prise d'air est démonté, réinstallez et rescellez-le selon les instructions fournies dans l'installation initiale.

40.1B

## 11.1 ENTRETIEN ANNUEL

**! AVERTISSEMENT**

**LE CAISSON DEVIENT TRÈS CHAUD LORS DU FONCTIONNEMENT. LAISSEZ L'APPAREIL SE REFROIDIR COMPLÈTEMENT OU PORTEZ DES GANTS ANTICHALEUR AVANT D'EFFECTUER L'ENTRETIEN.**

**NE JAMAIS ASPIRER DES BRAISES QUI SONT CHAUDES.**

**NE PEINTUREZ PAS L'ASSEMBLAGE DE LA VEILLEUSE.**

- Cet appareil nécessite un entretien qui devra être effectué sur une base annuelle.
- L'entretien devrait inclure un nettoyage, le remplacement des piles, une inspection du système d'évent, du brûleur, des éléments décoratifs internes et de la chambre de combustion. Consultez la section pour l'enlèvement de la porte et retirez la porte comme indiqué.
- Enlevez soigneusement les éléments décoratifs internes s'il y a lieu (bûches, braises de verre, panneaux de brique, etc.)
- À l'aide d'un aspirateur muni d'une brosse souple, aspirez les saletés, les débris et les dépôts de carbone sur les bûches, la chambre de combustion et le brûleur. Pour les braises de verre, suivez les instructions de prénettoyage.
- Enlevez aussi tout dépôt se trouvant sur l'assemblage de la veilleuse et aussi, s'il y a lieu, sur la thermopile, le thermocouple, le capteur de flamme et l'allumeur. **NOTE : Vous devrez possiblement nettoyer le capteur de flamme à l'aide d'un abrasif, comme une toile d'émeri afin de retirer toute trace d'oxydation. Il est important de ne pas peindre l'assemblage de la veilleuse.**

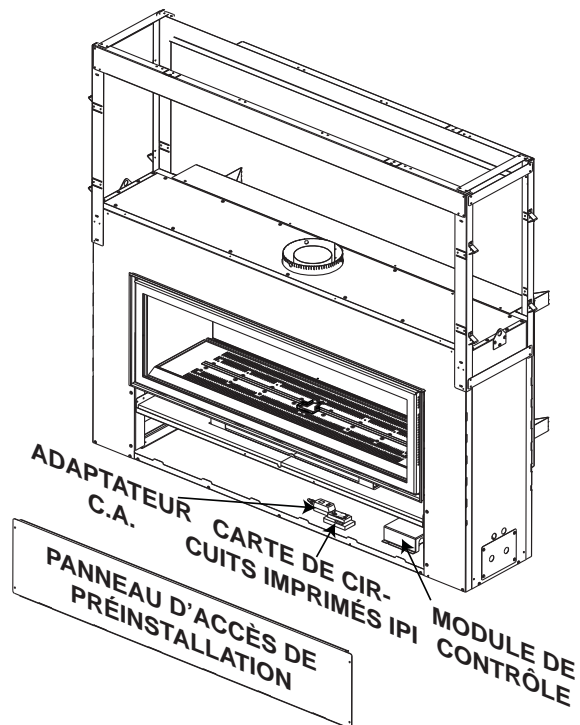


- Inspectez tous les joints d'étanchéité accessibles et remplacez-les au besoin.
- Accédez à la soufflerie, s'il y a lieu, puis nettoyez à l'aide d'une brosse souple et d'un aspirateur.
- Réinstallez tous les composants dans l'ordre inverse.
- Inspectez le système de surpression. L'appareil dissipe la pression par la porte vitrée ou par les clapets sur le dessus du caisson. Assurez-vous qu'ils ouvrent sans restriction et qu'ils ferment de façon étanche.

37.1A

## 11.2 ACCÈS AUX CONTRÔLES

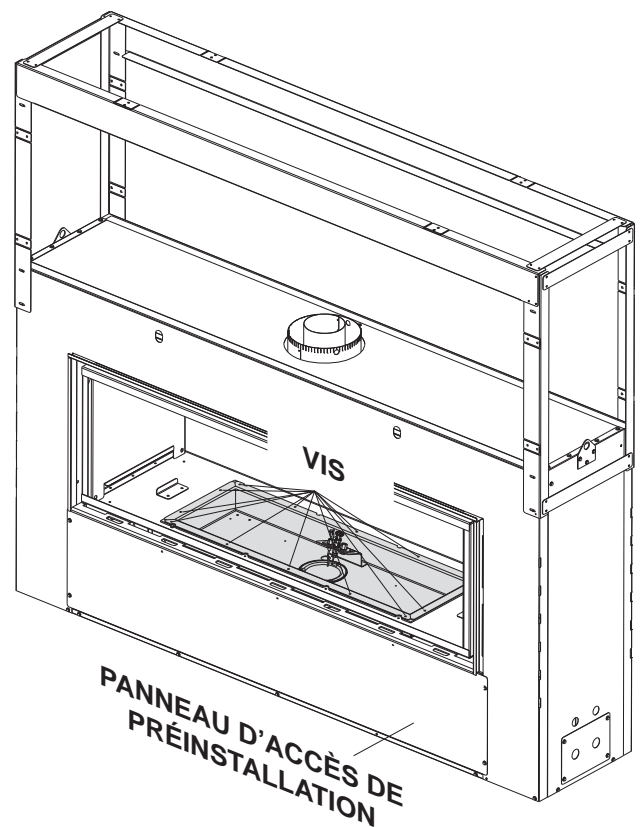
Lorsque l'ossature et la finition sont terminées, l'accès aux contrôles ne peut se faire qu'en retirant l'assemblage de la soupape. Voir les sections « ASSEMBLAGE DE LA SOUPAPE » et « ENLÈVEMENT DE LA SOUPAPE ». Les sous-sections suivantes donnent les étapes à suivre pour accéder aux contrôles lorsque la finition est terminée.



FR

### 11.3 ASSEMBLAGE DE LA SOUPAPE

Retirez l'une des portes principales; voir la section « INSTALLATION / ENLÈVEMENT DE LA PORTE ». Retirez le plateau de braises vitrifiées; voir la section « ENLÈVEMENT DU BRÛLEUR ». Enlevez les 14 vis de l'assemblage de la soupape; voir la section « ENLÈVEMENT DE LA SOUPAPE ».



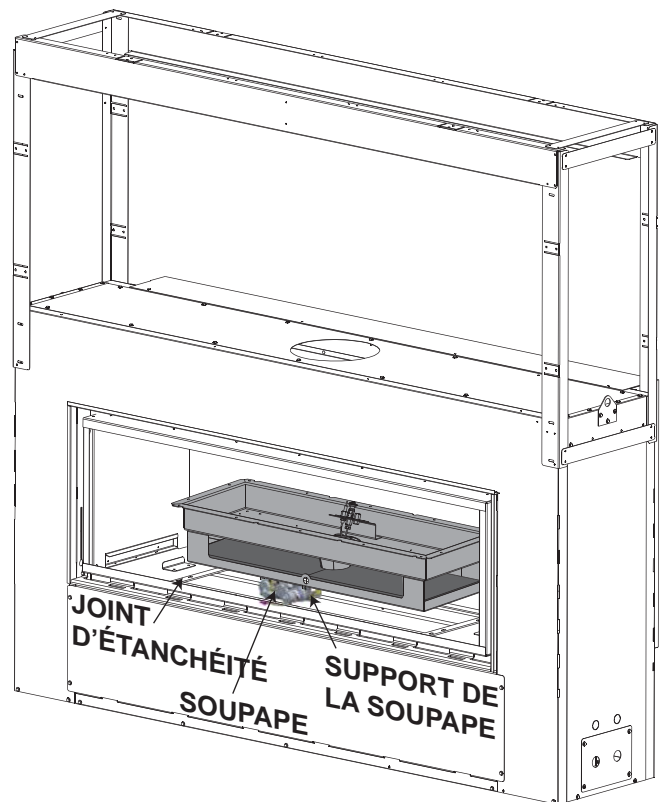
### 11.4 ENLÈVEMENT DE LA SOUPAPE

- A. Soulevez soigneusement l'assemblage de la soupape et fermez la soupape d'arrêt manuel; voir les sections « ASSEMBLAGE DE LA SOUPAPE » et « BRANCHEMENT DU GAZ ».

**NOTE :** Un nouveau joint d'étanchéité pourrait être nécessaire lorsque vous réinstallez l'assemblage de la soupape; contactez votre détaillant autorisé.

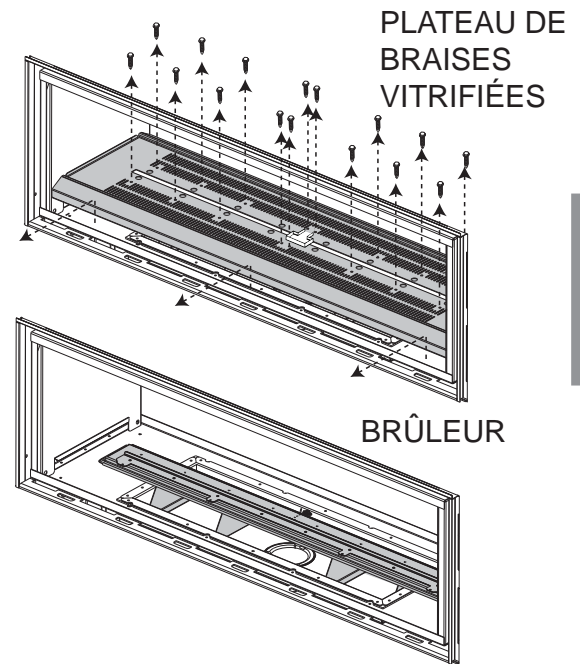
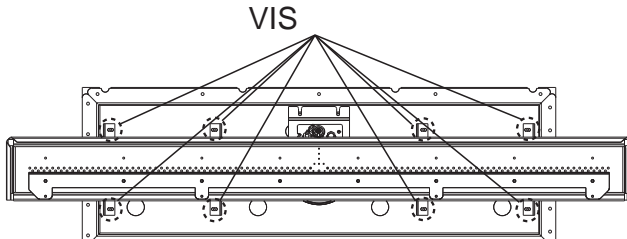
Débranchez le raccord flexible de la soupape. Enlevez les fils de connexion à la soupape en les identifiant pour faciliter le rebranchement.

- B. Retirez les quatre vis du support de la soupape et enlevez la soupape.
- C. Remplacez tous les composants avant de réutiliser l'appareil.
- D. Vérifiez pour des fuites de gaz en appliquant une solution d'eau savonneuse.



## 11.5 ENLÈVEMENT DU BRÛLEUR

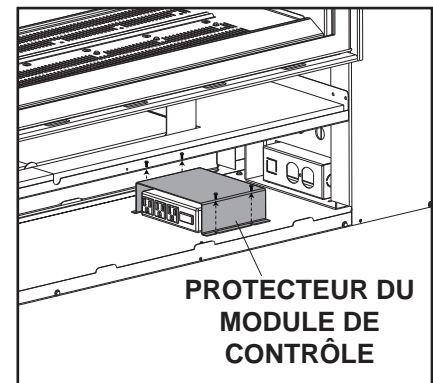
- A. Retirez la porte vitrée. Voir la section « INSTALLATION / ENLÈVEMENT DE LA PORTE ».
- B. Retirez les 16 vis (8 de chaque côté) servant à fixer le plateau de braises vitrifiées en place. Soulevez le plateau et retirez-le.
- C. Retirez les 8 vis servant à fixer le brûleur en place. Soulevez le brûleur et retirez-le.



FR

## 11.6 ENLÈVEMENT DU MODULE DE CONTRÔLE

- A. Enlevez l'assemblage de la soupape et mettez de côté. Voir la section « ASSEMBLAGE DE LA SOUPAPE ». Débranchez les fils du module de contrôle en les identifiant pour faciliter le rebranchement.
- B. Retirez les quatre vis servant à fixer le protecteur du module de contrôle.
- C. Retirez les deux vis maintenant le module de contrôle en place. Débranchez et enlevez-le.
- D. Remplacez et réinstallez les composants.



**NOTE :** L'interrupteur « ON/OFF » du module de contrôle devrait toujours être à la position « ON ». Si pour une raison quelconque le module est éteint, les composants branchés au module n'auront aucune alimentation électrique.

## 11.7 ACCÈS À LA CARTE DE CIRCUITS IMPRIMÉS IPI ET À L'ADAPTATEUR C.A.

- A. Enlevez l'assemblage de la soupape et mettez de côté. Voir la section « ASSEMBLAGE DE LA SOUPAPE ». Débranchez les fils de la carte de circuits imprimés IPI et/ou de l'adaptateur c.a. Voir la section « ACCÈS AUX CONTRÔLES » pour l'emplacement des composants.

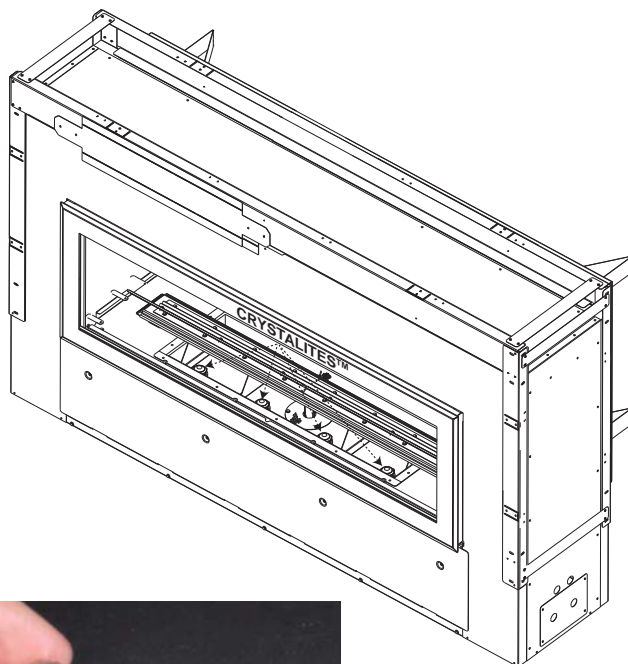
Identifiez l'extrémité de chaque fil pour faciliter le rebranchement.

Les composants sont fixés avec du velcro. Enlevez les composants et replacez-les si nécessaire.

## 11.8 REMPLACEMENT DE L'AMPOULE

Cet appareil est équipé de nos lumières « Crystalites<sup>MD</sup> ». Si vous devez remplacer l'ampoule, suivez les instructions suivantes.

- A. Coupez l'alimentation électrique.
- B. Retirez la porte vitrée et le plateau du caisson, voir les sections « ENLÈVEMENT DE LA PORTE / INSTALLATION » ET « ENLÈVEMENT DU BRÛLEUR ».
- C. Dévissez le couvercle de la lentille et enlevez l'ampoule en la tirant. Remplacez par des pièces Wolf Steel Itée. uniquement (W387-0013).
- D. **NOTE: Ne manipulez pas l'ampoule avec vos doigts; protégez-la avec un linge propre et sec.**
- E. Remplacez le couvercle de la lentille.
- F. Remplacez la porte vitrée et le plateau.



## 11.9 REMPLACEMENT DE L'ENSEMBLE DE LENTILLES

### ! AVERTISSEMENT

**LE DEVANT DE L'APPAREIL DEVIENT TRÈS CHAUD LORS DU FONCTIONNEMENT. LAISSEZ L'APPAREIL SE REFROIDIR COMPLÈTEMENT AVANT D'EFFECTUER L'ENTRETIEN.**

- A. Enlevez les braises vitrifiées et le plateau à braises
- B. Enlevez la base du brûleur de la chambre de combustion.
- C. Comprimez les ailettes de retenue et retirez l'ensemble de lentilles. Débranchez les fils.
- D. Remplacez l'ensemble de lentilles en l'alignant sur la fente et en l'enclenchant.
- E. Réinstallez la base du brûleur en assurant la bonne étanchéité de la chambre de combustion.
- F. Réinstallez le plateau à braises et les braises vitrifiées.



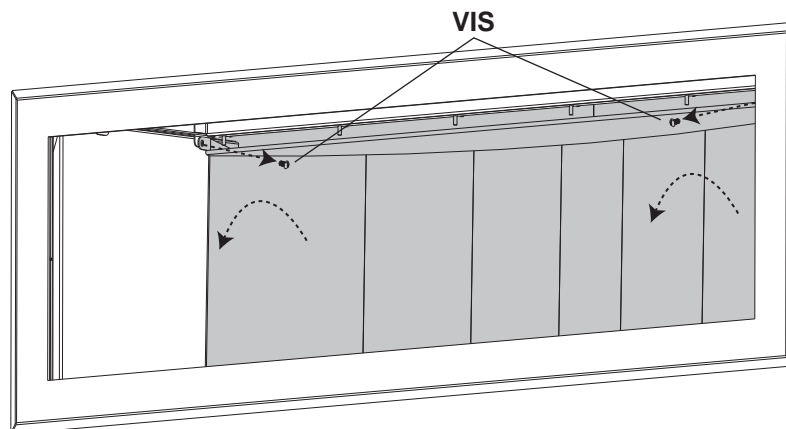
**NOTE :** Avant de retirer le plateau de braises vitrifiées, assurez-vous que les braises soient éloignées du centre du grillage, dégageant ainsi le brûleur, puis retirez le plateau en le soulevant.

Lors du remplacement du brûleur, il ne doit pas y avoir de braises vitrifiées dans l'espace entourant l'injecteur.

**CONSEIL :** Si des braises vitrifiées tombent dans le plateau entourant l'injecteur, mettez un nouveau sac dans l'aspirateur et aspirez les braises. Des braises vitrifiées de rechange peuvent être commandées auprès de votre détaillant Wolf Steel Itée.

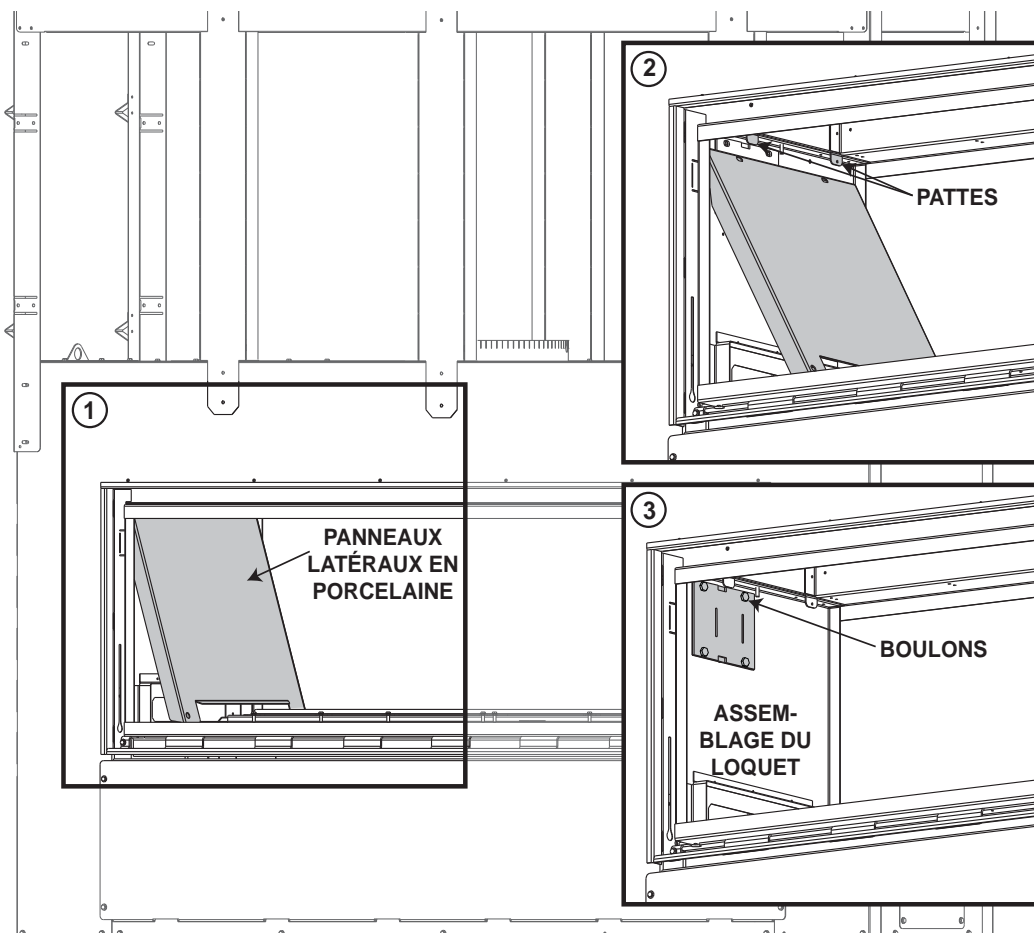
## 11.10 ENLÈVEMENT DU PANNEAU RÉFLECTEUR DE PORCELAINE EN FORME DE PRISME

- A. Retirez les deux vis dans le haut du panneau réflecteur de porcelaine.
- B. Inclinez le panneau vers l'avant, puis enlevez-le en soulevant.



## 11.11 AJUSTEMENT DES LOQUETS DE PORTE

- A. Enlevez le plateau de braises vitrifiées. Voir la section « ENLÈVEMENT DU BRÛLEUR ».  
**NOTE : Pour l'appareil à face unique, enlevez les appliqués décoratifs arqués optionnels avant de retirer le plateau de braises vitrifiées.**
- B. Retirez les panneaux latéraux en porcelaine en les soulevant et en les glissant hors des pattes, comme illustré.
- C. Retirez les quatre boulons et réinstallez l'assemblage du loquet. Ajustez la tension des loquets pour vous assurer que la porte est étanche.  
**NOTE : Prenez soin de ne pas briser le joint d'étanchéité de l'assemblage du loquet. Des joints d'étanchéité de rechange peuvent être commandés chez votre détaillant autorisé.**
- D. Réinstallez les panneaux latéraux en porcelaine, le panneau réflecteur de porcelaine en forme de prisme (s'il y a lieu) et le plateau de braises.

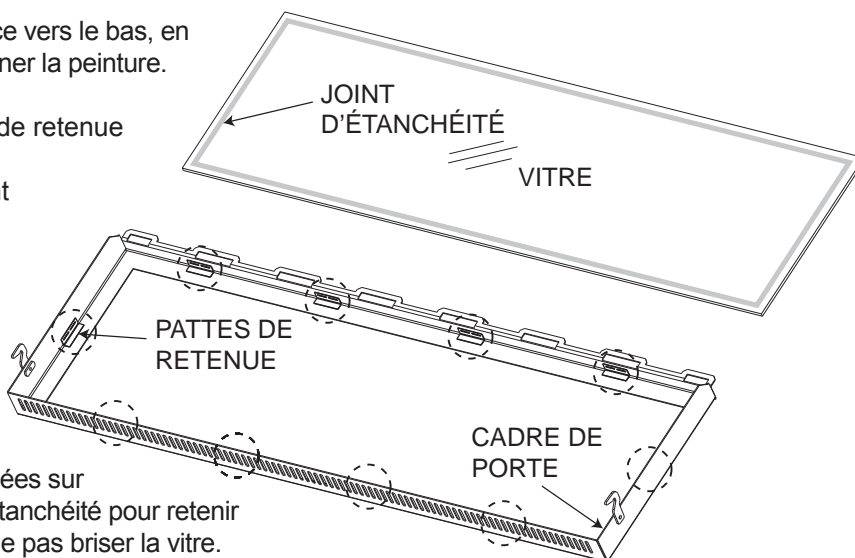


## 11.12 REMPLACEMENT DE LA VITRE/PORTE

**! AVERTISSEMENT****N'UTILISEZ PAS DE MATÉRIAUX DE SUBSTITUTION.****LA VITRE PEUT ÊTRE CHAUDE, NE TOUCHEZ PAS LA VITRE JUSQU'À CE QU'ELLE AIT REFROIDI.****USEZ DE PRUDENCE LORSQUE VOUS ENLEVEZ ET JETEZ DES DÉBRIS DE VERRE OU DES COMPOSANTS ENDOMMAGÉS. ASSUREZ-VOUS D'ASPIRER TOUS LES DÉBRIS DEVERRE À L'INTÉRIEUR DE L'APPAREIL AVANT DE LE FAIRE FONCTIONNER.****NE FRAPPEZ PAS, NE CLAQUEZ PAS ET N'ÉGRATIGNEZ PAS LA PORTE VITRÉE. NE FAITES PAS FONCTIONNER L'APPAREIL LORSQUE LA PORTE VITRÉE EST ENLEVÉE, FISSURÉE, BRISÉE OU ÉGRATIGNÉE.**

56.2

- A. Placez le cadre de la porte, face vers le bas, en prenant soin de ne pas égratigner la peinture.
- B. Assurez-vous que les pattes de retenue sont pliées vers le haut avant de remplacer la vitre et le joint d'étanchéité.
- C. Centrez la vitre avec joint d'étanchéité dans le cadre avec le côté épais du joint d'étanchéité orienté vers le haut.
- D. Pliez les pattes de retenue situées sur le cadre par-dessus le joint d'étanchéité pour retenir la vitre en place. Attention de ne pas briser la vitre.



## 11.13 SOINS DE LA VITRE

**NE PAS NETTOYER LA VITRE LORSQU'ELLE EST CHAUDE! N'EMPLOYEZ PAS DE DÉTERGENTS ABRASIFS POUR NETTOYER LA VITRE.**

Polissez légèrement à l'aide d'un linge propre et sec. Nettoyez les deux côtés de la vitre avec un nettoyeur recommandé après les dix premières heures de fonctionnement. Par la suite, nettoyez aussi souvent qu'il le faudra, sinon la vitre risque de rester marquée en



5.1

## 11.14 SOINS DES PIÈCES PLAQUÉES

Si l'appareil est muni de pièces plaquées, vous devez enlever toutes traces de doigts ou autres marques des surfaces plaquées avant d'allumer l'appareil pour la première fois. Utilisez un nettoyeur à vitres ou du vinaigre et un linge pour nettoyer. Si la surface plaquée n'est pas bien nettoyée avant le premier allumage de l'appareil, elle risque de rester marquée en permanence. Une fois que la surface plaquée aura chauffé, les traces de doigts et le gras n'affecteront plus la surface et très peu d'entretien sera requis; vous n'aurez qu'à l'essuyer au besoin. Une combustion prolongée à haute température avec la porte ouverte peut causer une décoloration des pièces plaquées.

**NOTE:** L'emballage de protection sur les pièces plaquées s'enlève mieux lorsque l'assemblage est à température ambiante ou lorsqu'il est chauffé avec un séchoir à cheveux ou une autre source de chaleur similaire.

6.1

## 12.0 RECHANGES

Contactez votre détaillant ou le fabricant pour les questions concernant les prix et la disponibilité des pièces de rechange. Normalement, toutes les pièces peuvent être commandées chez votre détaillant autorisé.

**POUR UN REMPLACEMENT DE PIÈCE SOUS GARANTIE, UNE PHOTOCOPIE DE LA FACTURE ORIGINALE SERA REQUISE AFIN DE POUVOIR HONORER LA DEMANDE.**

Lorsque vous commandez des pièces, donnez toujours l'information suivante :

- Modèle et numéro de série de l'appareil
- Date d'installation de l'appareil
- Numéro de la pièce
- Description de la pièce
- Fini

**\* IDENTIFIE LES ARTICLES QUI NE SONT PAS ILLUSTRÉS. POUR PLUS D'INFORMATION, CONTACTEZ VOTRE DÉTAILLANT AUTORISÉ.**

### AVERTISSEMENT

**OMETTRE DE POSITIONNER LES PIÈCES CONFORMÉMENT AU MANUEL OU D'UTILISER UNIQUEMENT DES PIÈCES SPÉCIFIQUEMENT APPROUVÉES POUR CET APPAREIL PEUT CAUSER DES DOMMAGES MATÉRIELS OU DES BLESSURES CORPORELLES.**

FR

41.1

COMPOSANTS		
N° RÉF.	N° DE PIÈCE	DESCRIPTION
1	W010-2084	ASSEMBLAGE DU LOQUET DE PORTE
2	W725-0056	SOUPAPE ÉLECTRONIQUE À MODULATION POUR GAZ NATUREL
2	W725-0057	SOUPAPE ÉLECTRONIQUE À MODULATION POUR PROPANE
3	W010-2107	ENSEMBLE D'ESPACEUR COUPE-FEU
4	W010-2240	ENSEMBLE DE PORTE PRINCIPALE (FONCTIONNEMENT)
5*	W010-2241	PORTE PRINCIPALE (FIXE)
6*	W385-0334	LOGO NAPOLÉON®
7*	W720-0062	TUBE DE VEILLEUSE
8*	W190-0029	CARTE DE CIRCUITS IMPRIMÉS
9	W660-0086	MODULE DE CONTRÔLE
10	W660-0104	RÉCEPTEUR-S
11*	W707-0006	TRANSFORMATEUR
12	W660-0071	TÉLÉCOMMANDE
13*	W750-0220	HARNAIS DE FILS GTMFS
14	W010-2885	CLÉ, LOQUET
15*	W290-0135	JOINT D'ÉTANCHÉITÉ, LOQUET DE PORTE
16*	W750-0214	FIL DE MISE À LA TERRE DE 12"
17*	W750-0192	HARNAIS DE FILS POUR CARTE DE CIRCUITS IMPRIMÉS
18*	W500-0491	PLAQUE DE RESTRICTION
19	W010-1865	ASSEMBLAGE DE VEILLEUSE GN
19	W010-1866	ASSEMBLAGE DE VEILLEUSE PL
20	W456-0038	INJECTEUR DE GAZ NATUREL #38
20	W456-0053	INJECTEUR DE PROPANE #53
21	W455-0069	INJECTEUR DE VEILLEUSE GN
21	W455-0068	INJECTEUR DE VEILLEUSE PL
22	W240-0011	ÉLECTRODE
23	W245-0025	SONDE DE FLAMME
24	W280-0166	LINTEAU
25*	W387-0013	SYSTÈME D'ÉCLAIRAGE, AMPOULE 10W
26	W710-0066	PLATEAU
27*	W585-0814	COUVERCLE DE VEILLEUSE

**NOTE :** Usez de prudence lorsque vous enlevez et jetez des débris de verre ou des composants endommagés. Assurez-vous d'aspirer tous les débris de verre à l'intérieur de l'appareil avant de le faire fonctionner.

## ENSEMBLE DE TERMINAISON HORIZONTALE

N° RÉF.	N° DE PIÈCE	DESCRIPTION
28	GD422-1	ENSEMBLE DE TERMINAISON MURALE

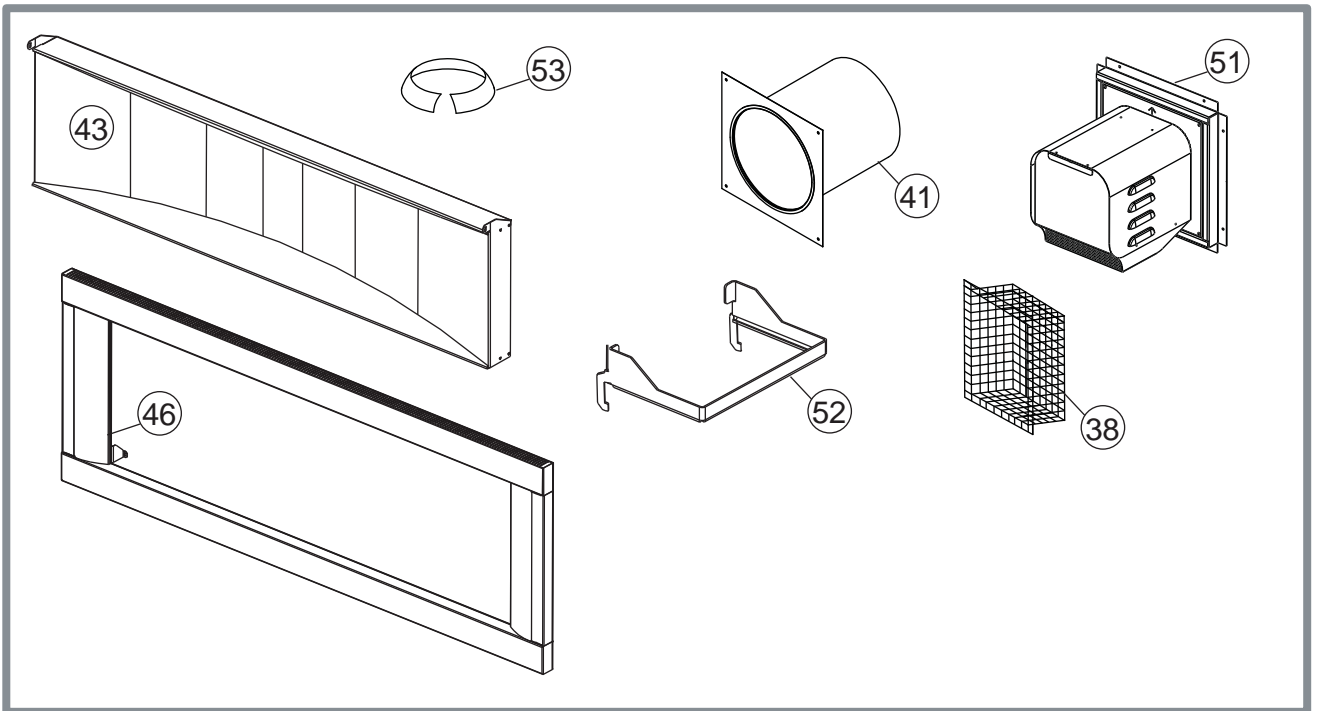
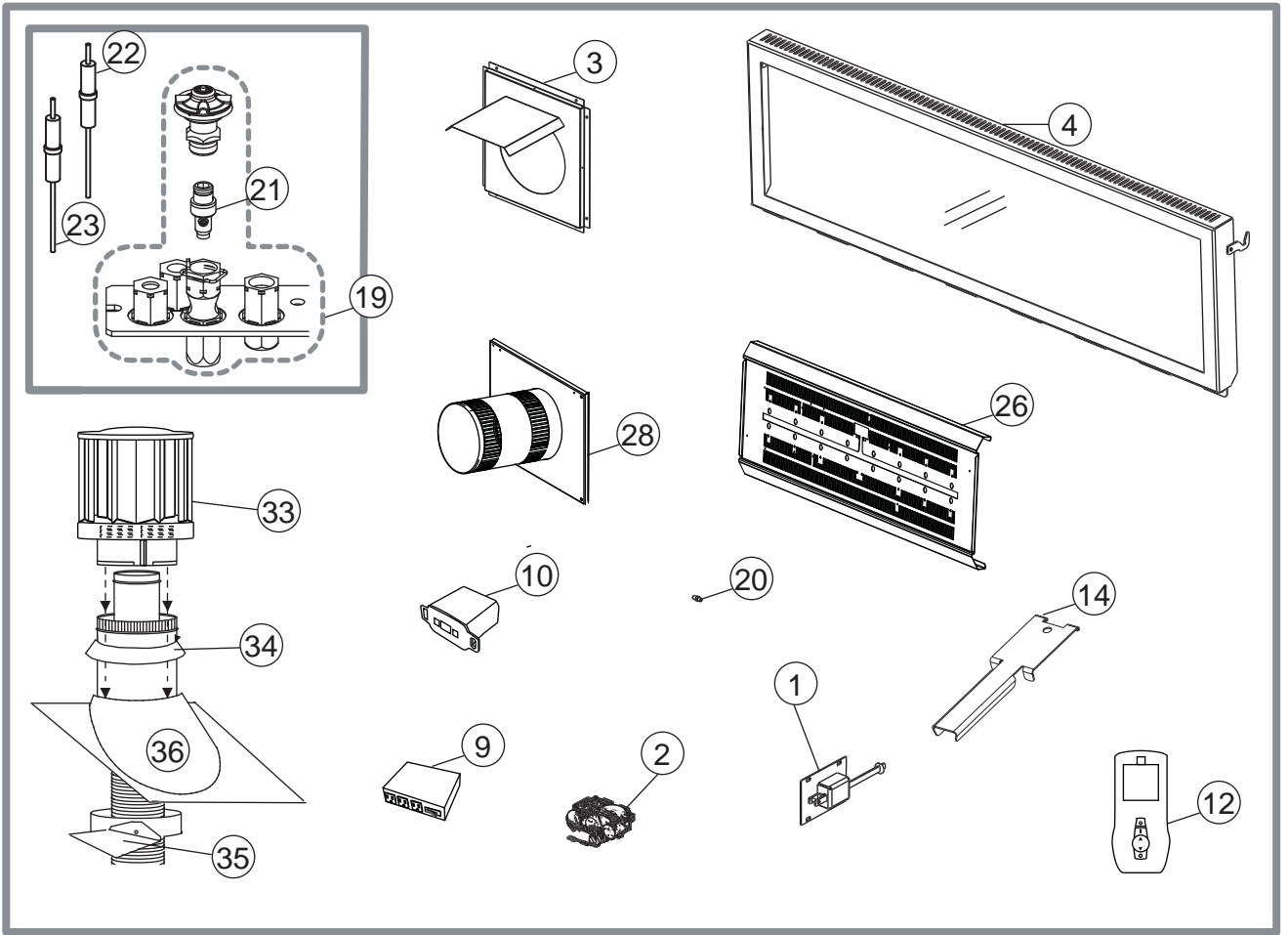
## ENSEMBLES DE TERMINAISON POUR TOIT

N° RÉF.	N° DE PIÈCE	DESCRIPTION
29*	GD410	PENTE DE 1/12 À 7/12
30*	GD411	PENTE DE 8/12 À 12/12
31*	GD412	TOIT PLAT
32*	W490-0074	MANCHON INTÉRIEUR/EXTÉRIEUR DE 5/8
33	W670-0007	TERMINAISON DE 5/8
34	W170-0086	COLLET DE SOLIN
35	W010-0453	SUPPORT DE TOIT
36	W263-0065	SOLIN DE TOIT PLAT
	W263-0066	SOLIN DE TOIT - PENTE DE 1/12 À 7/12
	W263-0055	SOLIN DE TOIT - PENTE DE 8/12 À 12/12

## ACCESSOIRES

N° RÉF.	N° DE PIÈCE	DESCRIPTION
37*	W573-0007	SCCELLANT À HAUTE TEMPÉRATURE
38	GD501	PROTECTEUR DE CHALEUR
39*	W010-0370	ENSEMBLE DE SUPPORT MURAL
40*	W175-0196	ENSEMBLE DE BAGUE D'ACCOUPLLEMENT DE 5/8
41	W585-0092	PROTECTEUR DE CONDUIT D'ÉVACUATION
42*	MKGK	BRAISES VITRIFIÉES - NOIRES
42*	MKGB	BRAISES VITRIFIÉES - BLEUES
42*	MKGR	BRAISES VITRIFIÉES - ROUGES
42*	MKGA	BRAISES VITRIFIÉES - AMBRÉES
43	LHDIW50	APPLIQUÉS DÉCORATIFS ARQUÉS - BLANC PORCELAINE
43	LHDIP50	APPLIQUÉS DÉCORATIFS ARQUÉS - ÉTAÏN
44*	LHDDT50	MOULURE DE PORTE - CHROME SATINÉ
45*	LHDDTB50	MOULURE DE PORTE CAMBRÉE
46	LHDSW50	CONTOUR - BLANC
46	LHDSP50	CONTOUR - GRIS D'ÉTAÏN
46	LHDSK50	CONTOUR - NOIR
47*	MEKR	ROCHES EN CÉRAMIQUE
48*	MEKT	BRINDILLES EN CÉRAMIQUE
49*	MEKG	FORMES GÉOMÉTRIQUES
50*	MEGK	BRAISES VITRIFIÉES NOIRES
51	GPV	CONTACTEZ VOTRE DÉTAILLANT AUTORISÉ
52	LHA	POIGNÉES DE TRANSPORT
53	W170-0086	COLLET DE CONDUIT D'ÉVACUATION
54*	W500-0028	ESPACEUR COUPE-FEU
55*	W175-0316	ENSEMBLE DE CONVERSION PL - GN
55*	W175-0317	ENSEMBLE DE CONVERSION GN - PL
56*	RP5	PLAQUE DE RESTRICTION







## AVERTISSEMENT

**ALLUMEZ TOUJOURS LA VEILLEUSE, QUE CE SOIT POUR LA PREMIÈRE FOIS OU LORSQUE L'APPROVISIONNEMENT EN GAZ EST ÉPUISÉ, AVEC LA PORTE VITRÉE OUVERTE OU RETIRÉE.**

**COUPEZ L'ALIMENTATION EN GAZ ET L'ALIMENTATION ÉLECTRIQUE AVANT DE PROCÉDER À L'ENTRETIEN DE L'APPAREIL.**

**L'APPAREIL PEUT ÊTRE CHAUD. N'EFFECTUEZ AUCUN ENTRETIEN JUSQU'À CE QUE L'APPAREIL SOIT REFROIDI.**

**N'UTILISEZ PAS DE NETTOYANTS ABRASIFS.**

### SYMPTÔME

### PROBLÈME

### SOLUTIONS

La télécommande contrôle les lumières Crystalite / lumière de veille, mais il n'y a aucune étincelle ou flamme.

Le récepteur est verrouillé.

- Réinitialisez en fermant et en ouvrant l'alimentation.  
**NOTE : Si des piles de secours sont installées, elles doivent aussi être retirées afin de réinitialiser.**

La flamme du brûleur principal est bleue, paresseuse et transparente.

Système d'évacuation bloqué.

- Enlevez ce qui obstrue. Dans des conditions de froid extrême, une accumulation de glace peut se former sur la terminaison et devrait être enlevée lorsque nécessaire. Pour minimiser les chances que cela survienne de nouveau, il est recommandé que les événements qui passent à travers des espaces non chauffés (greniers, garages, espaces réduits) soient recouverts d'un manchon isolant en mylar. Assurez-vous que le manchon ne puisse pas s'affaisser. Pour plus de renseignements, contactez votre détaillant local autorisé.

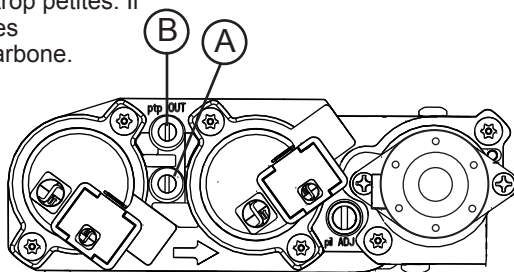
Installation incorrecte.

- Voir la section « ÉVACUATION » pour vérifier le bon emplacement des collets de solin.

Les flammes sont régulièrement trop grandes ou trop petites. Il se produit des dépôts de carbone.

La pression du gaz est trop faible ou trop forte.

- **Vérifiez la pression :** Pour vérifier la pression d'arrivée, tournez 2 ou 3 fois la vis (A) vers la gauche, puis emboîtez le tube du manomètre sur la pointe d'essai. Le manomètre doit indiquer la pression comme décrit sur le diagramme ci-dessous. Assurez-vous que le brûleur principal fonctionne à « HI ». La pression de sortie peut être vérifiée de la même façon en utilisant la vis (B). Le manomètre doit indiquer la pression comme décrit sur le diagramme ci-dessous. Assurez-vous que le brûleur principal fonctionne à « HI ».  
**APRÈS AVOIR PRIS LA LECTURE DES PRESSIONS, ASSUREZ-VOUS DE TOURNER FERMEMENT LES VIS VERS LA DROITE POUR SCELLER. NE SERREZ PAS TROP FORT.** Vérifiez pour des fuites en appliquant une solution d'eau savonneuse.



Pression	Gaz Naturel (pouces)	Gaz Naturel (millibars)	Propane (pouces)	Propane (millibars)
Arrivée	7" (min.4,5")	17,4 mb (min.11,2mb)	13" (min.11")	32,4 mb (min.27,4mb)
Sortie	3,5"	8,7 mb	10"	24,9 mb

Du carbone se dépose sur la vitre, les bûches, les roches, les composants décoratifs ou les parois de la chambre de combustion.

Le volet d'air est bloqué.

- Assurez-vous que l'ouverture du volet d'air n'est pas bloquée par des fibres ou autres obstructions.

La flamme effleure la vitre, les bûches, les roches, les composants décoratifs ou les parois de la chambre de combustion.

- Vérifiez si la vitre, les bûches, les roches et les composants décoratifs sont positionnés correctement.
- Augmentez l'ouverture du volet d'air pour augmenter le volume d'air primaire.
- Vérifiez le débit d'alimentation : vérifiez que la pression du collecteur et la grandeur de l'injecteur soient telles que spécifiées sur la plaque d'homologation.
- Vérifiez si les joints de la porte ne sont pas brisés ni manquants et qu'ils sont étanches.
- Vérifiez que les deux conduits d'évent ne soient pas troués et qu'ils soient bien scellés à tous les joints.
- Vérifiez si l'élévation minimale par pied (mètre) est conforme pour toute évacuation horizontale.

Une pellicule blanche ou grise se forme.

Le soufre du combustible se dépose sur la vitre, les bûches ou les parois de la chambre de combustion.

- Nettoyez la vitre avec un nettoyeur recommandé. **NE PAS NETTOYER LORSQU'ELLE EST CHAUDE.**
- Si vous ne nettoyez pas les dépôts régulièrement, la vitre risque de rester marquée en permanence.

SYMPTÔME	PROBLÈME	SOLUTIONS
On détecte l'odeur des gaz de combustion dans la pièce; maux de tête.	L'appareil refoule les gaz de combustion dans la pièce.	<ul style="list-style-type: none"> <li>- Vérifiez tous les joints scellés de la porte.</li> <li>- Vérifiez si la cheminée ne serait pas bloquée.</li> <li>- Vérifiez que les conduits d'évents sont installés correctement.</li> <li>- La pièce est sous pression négative; augmentez l'apport d'air frais.</li> </ul>
La veilleuse ne s'allume pas. Il y a du bruit mais aucune étincelle au brûleur de la veilleuse.	Filage.	<ul style="list-style-type: none"> <li>- Vérifiez si le fil pour la sonde et le fil pour l'allumeur sont raccordés aux bonnes bornes (non inversés) sur le module et l'assemblage de la veilleuse.</li> </ul>
	Connexion desserrée.	<ul style="list-style-type: none"> <li>- Vérifiez qu'il n'y a pas de connexions desserrées, de courts-circuits dans le filage ou des contacts avec des objets métalliques.</li> </ul>
	La longueur de l'étincelle est incorrecte.	<ul style="list-style-type: none"> <li>- La longueur de l'étincelle de l'allumeur à la veilleuse devrait être de 0,125" (1/8" (3.2mm)).</li> </ul>
La veilleuse ne s'allume pas. Aucun bruit et aucune étincelle au brûleur de la veilleuse. Les lumières CrystalitesMC et la soufflerie fonctionnent.	Une connexion desserrée ou causant un court-circuit.	<ul style="list-style-type: none"> <li>- Retirez et réinstallez le hamais de fils qui se branche dans le module.</li> <li>- Retirez et vérifiez la continuité de chaque fil dans le hamais de fils.</li> </ul>
	Le module n'est pas mis à la terre.	<ul style="list-style-type: none"> <li>- Vérifiez si les assemblages de la veilleuse et de la soupape sont bien mis à la terre au niveau du châssis du foyer.</li> </ul>
	La boîte d'allumage a été verrouillée.	<p>Choisissez l'une des quatre méthodes suivantes pour réinitialiser le système.</p> <ol style="list-style-type: none"> <li>1. Pour réinitialiser la boîte d'allumage lorsqu'elle a été verrouillée, coupez l'alimentation électrique et retirez les piles (s'il y a lieu) du récepteur.</li> <li>2. Pour réinitialiser le tableau DFC lorsque celui-ci se trouve en mode verrouillé et que la DEL clignote trois fois à l'aide du bouton MARCHE/ARRÊT de l'émetteur: <ul style="list-style-type: none"> <li><b>Étape 1</b> : Éteignez le système en appuyant sur le bouton MARCHE/ARRÊT.</li> <li><b>Étape 2</b> : Après environ 2 secondes, appuyez de nouveau sur le bouton MARCHE/ARRÊT de la télécommande. Le tableau DFC se réinitialisera et la séquence d'allumage s'enclenchera de nouveau.</li> </ul> </li> <li>3. Pour réinitialiser le tableau DFC lorsque celui-ci se trouve en mode verrouillé et que la DEL clignote trois fois à l'aide du cycle de flamme : <ul style="list-style-type: none"> <li><b>Étape 1</b> : En mode de contrôle manuel de la flamme, utilisez la flèche vers le bas pour éteindre la flamme, une situation indiquée par le mot « OFF » affiché à l'écran de la télécommande.</li> <li><b>Étape 2</b> : Attendez environ 2 secondes et appuyez sur la flèche vers le haut; la séquence d'allumage se déclenchera.</li> </ul> </li> </ol>

**NOTE:** En position « OFF », appuyez sur le bouton « ON » de la télécommande. Environ 4 secondes après que le bouton « ON/OFF » ait été enfoncé, le tableau d'allumage commencera à produire des étincelles. Au premier essai, le tableau d'allumage formera des étincelles pendant 60 secondes. S'il n'y a pas de correction de flamme, le tableau cessera de former des étincelles pendant environ 35 secondes. Après le temps d'attente, le tableau démarrera le deuxième essai d'allumage en produisant des étincelles pendant environ 60 secondes. S'il n'y a toujours pas d'allumage, le tableau se verrouillera.

SYMPTÔME	PROBLÈME	SOLUTIONS
Étincelle à la veilleuse mais celle-ci ne s'allume pas.	Alimentation en gaz.	- Vérifiez si la soupape à bille de la conduite d'arrivée du gaz est « Ouverte ». Vérifiez si la pression d'arrivée est dans les limites acceptables. La pression d'arrivée ne doit pas excéder 14" de colonne d'eau (34.9mb) .
	Le module n'est pas mis à la terre.	- Vérifiez si les assemblages de la veilleuse et de la soupape sont bien mis à la terre au niveau du châssis métallique du foyer.
	Plus de propane.	- Remplissez le réservoir.
Continue de produire des étincelles et la veilleuse s'allume mais le brûleur principal ne s'allume pas.	Court-circuit ou connexion desserrée dans la tige de la sonde.	- Vérifiez toutes connexions. Vérifiez si les connexions de l'assemblage de la veilleuse sont serrées; vérifiez aussi si ces connexions ne causent pas de mise à la terre au niveau du métal.
	Mauvais redressement du courant de la flamme ou tige de sonde contaminée.	- Vérifiez si la flamme enveloppe la tige de la sonde. Ceci augmentera le redressement du courant de la flamme. Vérifiez si le bon injecteur de veilleuse est installé et que l'alimentation en gaz est conforme aux spécifications du manuel. (Souvenez-vous que la flamme transporte le courant redresseur et non le gaz. Si la flamme se détache de la hotte, le circuit est rompu. Un mauvais injecteur ou une pression d'arrivée trop élevée peut causer la flamme de la veilleuse à se détacher.) La tige de la sonde a possiblement besoin d'être nettoyée.
	Mauvaise mise à la terre entre l'assemblage de la veilleuse et la soupape de gaz.	- Vérifiez si le harnais de fils est solidement branché au module.
	Veilleuse endommagée ou tige de sonde salie.	- Vérifiez si l'isolateur de céramique autour de la sonde est craqué, endommagé ou desserré. Vérifiez la connexion de la tige de la sonde au fil de la sonde. Nettoyez la tige de la sonde avec une toile d'émeri afin d'enlever toute contamination qui ait pu s'accumuler sur la tige de la sonde. Vérifiez la continuité avec un multimètre réglé sur Ohms au calibre le plus bas.
	La veilleuse a été peint	- Utilisant une pièce de papier de verre ou du tissu d'émeri pour enlever le peinture du capuchon du veilleuse, l'allumeur et le sonde de flamme.
L'appareil n'effectue aucune fonction.	L'interrupteur du récepteur est à la mauvaise position.	- Vérifiez que l'interrupteur du récepteur est en position « REMOTE » (milieu).
	Pas de puissance au système.	- Vérifiez que le disjoncteur est en position « ON ».
	La télécommande ne fonctionne pas.	- Vérifiez les piles ainsi que leur orientation.
La lumière de veille ou la soufflerie optionnelle ne fonctionnent pas.	L'interrupteur du module de contrôle est à la mauvaise position.	- Vérifiez que l'interrupteur « ON/OFF » est en position « I », ce qui indique le fonctionnement.
	L'interrupteur « COM » est débranché.	- Vérifiez que l'interrupteur « COM » est branché à l'avant du module de contrôle.

## 14.0 GARANTIE

Les produits Napoléon® sont fabriqués conformément aux normes strictes du Certificat d'Assurance de la Qualité mondialement reconnu ISO 9001 : 2008.

Les produits Napoléon® sont conçus avec des composants et des matériaux de qualité supérieure, assemblés par des artisans qualifiés qui sont fiers de leur travail. Le brûleur et le montage de la soupape subissent un test de détection de fuite et d'allumage à une station de test de qualité. Une fois assemblé, chaque appareil est soigneusement inspecté par un technicien qualifié avant d'être emballé pour garantir que vous, le client, recevez le produit de qualité dont vous vous attendez de Napoléon®.

### GARANTIE À VIE LIMITÉE DU PRÉSIDENT DES APPAREILS AU GAZ NAPOLÉON®

Les matériaux suivants et la fabrication de votre nouveau appareil au gaz Napoléon® sont garantis contre les défauts tant que vous en êtes le propriétaire. Ceci couvre : la chambre de combustion, l'échangeur de chaleur, le brûleur en acier inoxydable, les bûches PHAZER® et les braises, les roches, la vitre en céramique (cassure thermique seulement), les pièces plaquées or contre le ternissement, les composants en porcelaine émaillée et les moulures d'extrusion en aluminium.\*

Les composants électriques (110V et millivolt) et les pièces soumises à l'usure tels que les souffleries, les soupapes de gaz, l'interrupteur thermique, les interrupteurs, l'installation électrique, les télécommandes, l'allumeur, les joints d'étanchéité et l'assemblage de la veilleuse sont couverts et NAPOLÉON® fournira gratuitement les pièces de rechange durant la première année de la garantie limitée.\*

Les coûts de main-d'oeuvre relatifs aux réparations garanties sont couverts gratuitement durant la première année. Cependant, les travaux de réparation nécessitent l'approbation préalable d'un représentant autorisé de la compagnie. Les coûts de main-d'oeuvre à la charge de Napoléon® sont basés sur un programme de tarifs prédéterminé et tout travail de réparation doit être accompli par l'entremise d'un représentant autorisé Napoléon®.

\* La fabrication de chaque modèle varie. La garantie s'applique uniquement aux composants disponibles avec votre appareil.

FR

### CONDITIONS ET LIMITATIONS

NAPOLÉON® garantit ses produits contre les défauts de fabrication à l'acheteur d'origine seulement. L'enregistrement de la garantie n'est pas nécessaire. Fournissez simplement une preuve d'achat ainsi que le modèle et le numéro de série afin d'effectuer une réclamation de garantie. Napoléon® se réserve le droit de demander à son représentant d'inspecter tous produits ou pièces avant d'honorer toute réclamation. L'achat doit avoir été fait par l'entremise d'un détaillant NAPOLÉON® autorisé et sous réserve des conditions et limitations suivantes :

La couverture de la garantie débute à partir de la date d'installation originale.

Cette garantie du fabricant n'est pas transférable et ne peut être prolongée ou étendue par aucun de nos représentants quelle qu'en soit la raison.

L'appareil au gaz doit être installé par un installateur ou entrepreneur qualifié. L'installation doit être faite conformément aux instructions d'installation incluses avec le produit et à tous les codes d'incendie et de construction locaux et nationaux.

Cette garantie limitée ne couvre pas les dommages causés par un mauvais usage, un manque d'entretien, un accident, des altérations, des abus ou de la négligence et l'installation de pièces d'autres fabricants annulera cette garantie.

Cette garantie limitée ne couvre pas non plus les égratignures, les bossellements, la corrosion ou la décoloration causés par une chaleur excessive, des produits d'entretien chimiques et abrasifs ou l'écaillage des pièces en porcelaine émaillée, le bris par manipulation des bûches PHAZER® et des braises.

NAPOLÉON® garantit à vie ses brûleurs en acier inoxydable contre les défauts de fabrication et de matériau sous réserve des conditions suivantes : durant les dix premières années, NAPOLÉON® remplacera ou réparera selon notre option les pièces défectueuses gratuitement. Après les dix premières années, NAPOLÉON® fournira les brûleurs de rechange à 50 % du prix de détail courant.

Au cours de la première année seulement, cette garantie s'applique à la réparation ou au remplacement des pièces garanties dont les matériaux ou la fabrication sont défectueux à la condition que le produit ait été utilisé conformément aux instructions de fonctionnement et dans des conditions normales.

Après la première année, concernant cette Garantie à Vie Limitée du Président, NAPOLÉON® peut, à sa discrétion, se libérer entièrement de toutes obligations en ce qui concerne cette garantie en remboursant à l'acheteur d'origine le prix de gros de toute pièce garantie qui est défectueuse.

NAPOLÉON® ne sera pas responsable de l'installation, de la main-d'oeuvre ou autres dépenses relatives à la réinstallation d'une pièce garantie et de telles dépenses ne sont pas couvertes par cette garantie.

Nonobstant toutes les dispositions contenues dans cette Garantie à Vie Limitée du Président, la responsabilité de NAPOLÉON® sous cette garantie est définie comme ci-dessus et elle ne s'appliquera à aucun dommage accidentel, consécutif ou indirect.

Cette garantie définit l'obligation et la responsabilité de NAPOLÉON® en ce qui concerne l'appareil au gaz Napoléon®. Toute autre garantie énoncée ou implicite en ce qui concerne ce produit, ses composants ou accessoires est exclue.

NAPOLÉON® n'endosse ni n'autorise aucun tiers à assumer en son nom, toute autre responsabilité concernant la vente de ce produit. NAPOLÉON® ne sera pas responsable d'une surchauffe, des refoulements, des déversements causés par des conditions environnementales telles que des toits, des bâtiments, la proximité d'arbres, de collines, de montagnes, une ventilation ou des événements inadéquats, une configuration d'évacuation excessive, un apport d'air insuffisant ou des pressions négatives qui peuvent ou non être causés par des systèmes mécaniques tels que les ventilateurs d'évacuation, les fournaies, les sècheuses de linge, etc.

Tout dommage causé à l'appareil, à la chambre de combustion, à l'échangeur de chaleur, aux garnitures plaquées ou autres composants par l'eau, les dommages causés par les intempéries, de longues périodes d'humidité, la condensation, des produits chimiques ou produits d'entretien nuisibles ne seront pas la responsabilité de NAPOLÉON®.

Toutes les pièces remplacées en vertu de la politique de Garantie à vie limitée du Président ne peuvent faire l'objet que d'une seule réclamation.

Durant les dix premières années, NAPOLÉON® remplacera ou réparera les pièces défectueuses qui sont couvertes par la garantie à vie limitée à sa discrétion gratuitement. Après les dix premières années, NAPOLÉON® fournira les pièces de rechange à 50 % du prix de détail courant.

Toutes les pièces remplacées au titre de la garantie seront couvertes pour une période de 90 jours à partir de leur date d'installation.

Le fabricant peut exiger que les pièces défectueuses ou les produits soient retournés ou que des photos numériques soient fournies pour valider la réclamation. Les produits retournés doivent être expédiés port payé au fabricant pour une inspection en usine. Si un produit est déclaré défectueux, le fabricant le réparera ou le remplacera.

Avant d'expédier votre appareil ou les pièces défectueuses, votre détaillant doit obtenir un numéro d'autorisation. Toute marchandise expédiée à notre usine sans autorisation sera refusée et retournée à l'expéditeur.

Les coûts d'expédition ne sont pas couverts par cette garantie.

Des frais de service supplémentaires peuvent être appliqués si vous cherchez à obtenir des services au titre de la garantie auprès d'un détaillant. Les indemnités de main-d'oeuvre au titre de la garantie s'appliquent uniquement pour le remplacement d'une pièce garantie. Les frais de déplacement, de tests de diagnostic, d'expédition et autres frais afférents ne sont pas couverts par cette garantie.

TOUTES LES SPÉCIFICATIONS ET LES CONCEPTIONS SONT SUJETTES À MODIFICATIONS SANS PRÉAVIS EN RAISON DES AMÉLIORATIONS CONSTANTES APPORTÉES AUX PRODUITS. NAPOLÉON® EST UNE MARQUE DE COMMERCE DÉPOSÉE DE WOLF STEEL LTÉE.

COMME EXIGÉ PAR LE MINISTÈRE DE L'ÉNERGIE AUX ETATS-UNIS, 10 CFR SÉPARE 430, LA GARANTIE EST VIDE SI CE PRODUIT EST UTILISÉ AVEC UN THERMOSTAT. CECI S'APPLIQUE AU PRODUIT SEULEMENT INSTALLÉ AUX ETATS-UNIS.

# 15.0 HISTORIQUE D'ENTRETIEN

FR

**Historique d'entretien Wolf Steel**  
Cet appareil doit être entretenu annuellement selon son usage.

Date	Détaillant	Nom du technicien	Travail effectué	Problèmes particuliers



Autres produits Napoléon®



Foyers encastrés • Grils au charbon de bois • Foyers au gaz • Cascades d'eau  
Poêles à bois • Produits HVAC • Foyers électriques • Foyers extérieurs • Grils à gaz de qualité



7200, Route Transcanadienne, Montréal, Québec H4T 1A3  
24 Napoleon Road, Barrie, Ontario, Canada L4M 0G8  
214 Bayview Drive, Barrie, Ontario, Canada L4N 4Y8  
103 Miller Drive, Crittenden, Kentucky, USA 41030

Foyers / Chauffage et Climatisation / Grils composez : 514-737-6294  
napoleonproducts.com