

**INSTALLER: LEAVE THIS MANUAL WITH THE APPLIANCE.**  
**CONSUMER: RETAIN THIS MANUAL FOR FUTURE REFERENCE.**  
**NEVER LEAVE CHILDREN OR OTHER AT RISK INDIVIDUALS ALONE WITH THE APPLIANCE.**



# INSTALLATION AND OPERATING INSTRUCTIONS

CERTIFIED UNDER CANADIAN AND AMERICAN NATIONAL STANDARDS: CSA 2.33, ANSI Z21.88 FOR VENTED GAS FIREPLACE HEATERS.

CERTIFIED FOR CANADA AND UNITED STATES USING ANSI/CSA METHODS.

## SAFETY INFORMATION

### **WARNING**

If the information in these instructions are not followed exactly, a fire or explosion may result causing property damage, personal injury or loss of life.

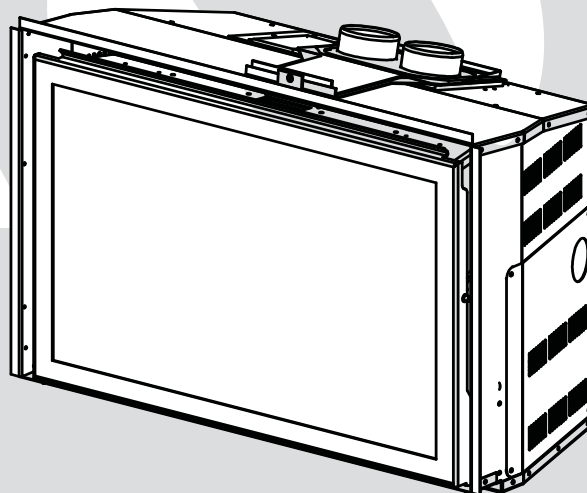
- Do not store or use gasoline or other flammable vapors and liquids in the vicinity of this or any other appliance.
- **WHAT TO DO IF YOU SMELL GAS:**
  - Do not try to light any appliance.
  - Do not touch any electrical switch; do not use any phone in your building.
  - Immediately call your gas supplier from a neighbour's phone. Follow the gas supplier's instructions.
  - If you cannot reach your gas supplier, call the fire department.
- Installation and service must be performed by a qualified installer, service agency or the supplier.

This appliance may be installed in an aftermarket, permanently located, manufactured home (USA only) or mobile home, where not prohibited by local codes.

This appliance is only for use with the type of gas indicated on the rating plate. This appliance is not convertible for use with other gases, unless a certified kit is used.



**IR3GN**  
NATURAL GAS  
**IR3GP**  
PROPANE



### **WARNING**

**HOT GLASS WILL CAUSE BURNS.**

**DO NOT TOUCH GLASS UNTIL COOLED.**

**NEVER ALLOW CHILDREN TO TOUCH GLASS.**



Wolf Steel Ltd., 24 Napoleon Rd., Barrie, ON, L4M 0G8 Canada /  
103 Miller Drive, Crittenden, Kentucky, USA, 41030

Phone (705)721-1212 • Fax (705)722-6031 • [www.napoleonfireplaces.com](http://www.napoleonfireplaces.com) • [ask@napoleonproducts.com](mailto:ask@napoleonproducts.com)

# TABLE OF CONTENTS

<b>1.0</b>	<b>INSTALLATION OVERVIEW</b>	<b>3</b>
<b>2.0</b>	<b>INTRODUCTION</b>	<b>4</b>
2.1	DIMENSIONS	5
2.2	MINIMUM CLEARANCE TO COMBUSTIBLES	5
2.3	GENERAL INSTRUCTIONS	5
2.4	GENERAL INFORMATION	6
2.5	RATING PLATE INFORMATION	7
<b>3.0</b>	<b>INSTALLATION</b>	<b>8</b>
3.1	LEVELLING THE APPLIANCE	8
3.2	CHIMNEY CONNECTION	9
3.3	GAS INSTALLATION	10
<b>4.0</b>	<b>FINISHING</b>	<b>11</b>
4.1	MINIMUM MANTEL CLEARANCES	11
4.2	DOOR REMOVAL AND INSTALLATION	12
4.3	MEDIA INSTALLATION	12
4.4	LOGO PLACEMENT	13
4.5	BATTERY INSTALLATION	13
<b>5.0</b>	<b>ELECTRICAL INFORMATION</b>	<b>14</b>
5.1	WIRING DIAGRAM	14
<b>6.0</b>	<b>OPERATION</b>	<b>15</b>
6.1	OPERATING AND LIGHTING INSTRUCTIONS	15
6.2	GENERAL TRANSMITTER LAYOUT	16
6.3	APPLIANCE OPERATION	16
6.4	HAND HELD REMOTE OPERATIONS	16
6.5	TEMPERATURE DISPLAY	17
6.6	ROOM THERMOSTAT	17
6.7	SMART THERMOSTAT	17
6.8	FLAME HEIGHT	18
6.9	CHILD PROOF FUNCTION	18
6.10	NIGHT LIGHT	18
6.11	LOW BATTERY / MANUAL BYPASS	19
6.12	IN THE EVENT OF A POWER FAILURE	19
6.13	CONTROL MODULE	19
6.14	TIMED BLOWER	20
6.15	ANTI CONDENSATION CONTROL SWITCH (OPTIONAL)	20
<b>7.0</b>	<b>ADJUSTMENTS</b>	<b>21</b>
7.1	PILOT BURNER ADJUSTMENT	21
7.2	VENTURI ADJUSTMENT	21
7.3	FLAME CHARACTERISTICS	22
<b>8.0</b>	<b>MAINTENANCE</b>	<b>23</b>
8.1	CARE OF GLASS	23
8.2	CARE OF PLATED PARTS	23
8.3	DOOR GLASS REPLACEMENT	24
8.4	MEDIA TRAY INSTALLATION	24
8.5	FCM REPLACEMENT	25
8.6	NIGHT LIGHT™ REPLACEMENT	25
8.7	VALVE TRAIN REPLACEMENT	26
<b>9.0</b>	<b>REPLACEMENTS</b>	<b>27</b>
<b>10.0</b>	<b>TROUBLESHOOTING</b>	<b>30</b>
<b>11.0</b>	<b>WARRANTY</b>	<b>33</b>
<b>12.0</b>	<b>SERVICE HISTORY</b>	<b>34</b>

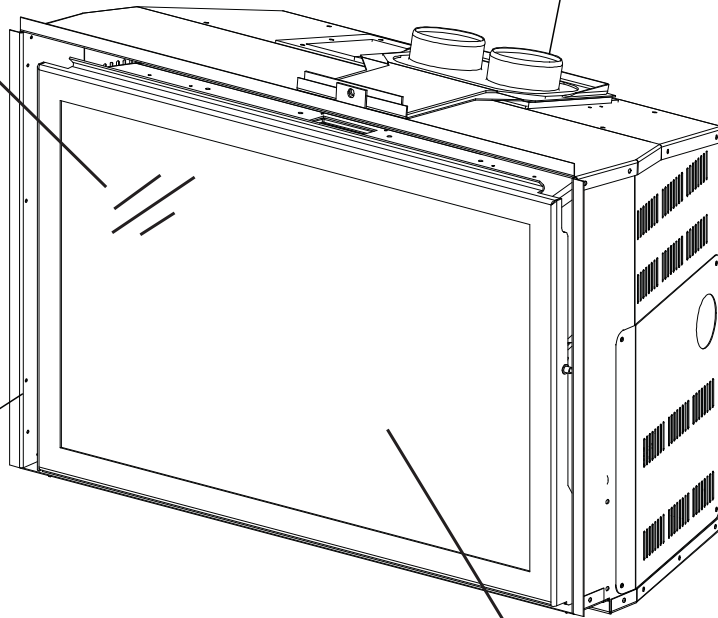
**NOTE:** changes, other than editorial, are denoted by a vertical line in the margin.

# 1.0 INSTALLATION OVERVIEW

Venting, see "INSTALLATION - CHIMNEY CONNECTION" section.

Media, see "FINISHING - DOOR REMOVAL AND INSTALLATION" section.

Rating Plate, see "RATING PLATE INFORMATION" section.



Glass, see "FINISHING - MEDIA INSTALLATION" section.

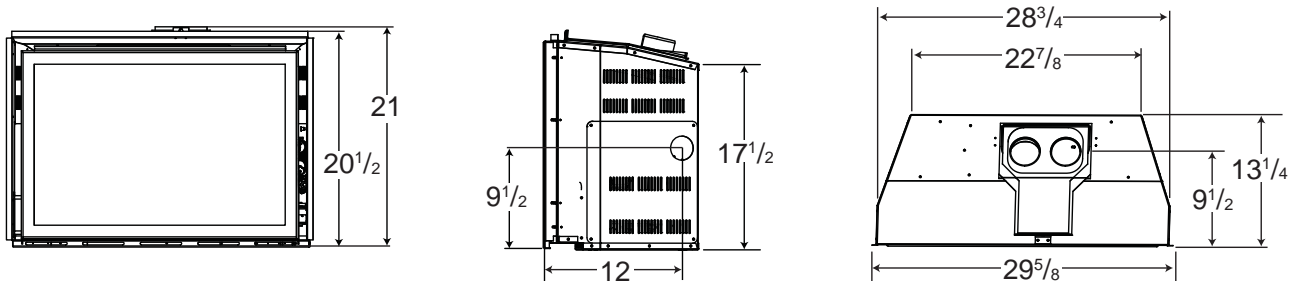
## 2.0 INTRODUCTION

### WARNING

- **THIS APPLIANCE IS HOT WHEN OPERATED AND CAN CAUSE SEVERE BURNS IF CONTACTED.**
- **ANY CHANGES OR ALTERATIONS TO THIS APPLIANCE OR ITS CONTROLS CAN BE DANGEROUS AND IS PROHIBITED.**
- Do not operate appliance before reading and understanding operating instructions. Failure to operate appliance according to operating instructions could cause fire or injury.
- Risk of fire or asphyxiation do not operate appliance with fixed glass removed.
- Do not connect 110 volts to the control valve.
- Risk of burns. The appliance should be turned off and cooled before servicing.
- Do not install damaged, incomplete or substitute components.
- Risk of cuts and abrasions. Wear protective gloves and safety glasses during installation. Sheet metal edges may be sharp.
- Do not burn wood or other materials in this appliance.
- Children and adults should be alerted to the hazards of high surface temperature and should stay away to avoid burns or clothing ignition.
- Young children should be carefully supervised when they are in the same room as the appliance. Toddlers, young children and others may be susceptible to accidental contact burns. A physical barrier is recommended if there are at risk individuals in the house. To restrict access to an appliance, install an adjustable safety gate to keep toddlers, young children and other at risk individuals out of the room and away from hot surfaces.
- Clothing or other flammable material should not be placed on or near the appliance.
- Due to high temperatures, the appliance should be located out of traffic and away from furniture and draperies.
- Ensure you have incorporated adequate safety measure to protect infants/toddlers from touching hot surfaces.
- Even after the appliance is out, the glass and/or screen will remain hot for an extended period of time.
- Check with your local hearth specialty dealer for safety screens and hearth guards to protect children from hot surfaces. These screens and guards must be fastened to the floor.
- Any safety screen or guard removed for servicing must be replaced prior to operating the appliance.
- The appliance is a vented gas-fired appliance. Do not burn wood or other materials in the appliance
- It is imperative that the control compartments, burners and circulating blower and its passageway in the appliance and venting system are kept clean. The appliance and its venting system should be inspected before use and at least annually by a qualified service person. More frequent cleaning may be required due to excessive lint from carpeting, bedding material, etc. The appliance area must be kept clear and free from combustible materials, gasoline and other flammable vapors and liquids.
- Under no circumstances should this appliance be modified.
- This appliance must not be connected to a chimney flue pipe serving a separate solid fuel burning appliance.
- Do not use this appliance if any part has been under water. Immediately call a qualified service technician to inspect the appliance and to replace any part of the control system and any gas control which has been under water.
- Do not operate the appliance with the glass door removed, cracked or broken. Replacement of the glass should be done by a licensed or qualified service person.
- Do not strike or slam shut the appliance glass door.
- When equipped with pressure relief doors, they must be kept closed while the appliance is operating to prevent exhaust fumes containing carbon monoxide, from entering into the home. Temperatures of the exhaust escaping through these openings can also cause the surrounding combustible materials to overheat and catch fire.
- Only doors / optional fronts certified with the appliance are to be installed on the appliance.
- Keep the packaging material out of reach of children and dispose of the material in a safe manner. As with all plastic bags, these are not toys and should be kept away from children and infants.
- As with any combustion appliance, we recommend having your appliance regularly inspected and serviced as well as having a Carbon Monoxide Detector installed in the same area to defend you and your family against Carbon Monoxide.
- Ensure clearances to combustibles are maintained when building a mantel or shelves above the appliance. Elevated temperatures on the wall or in the air above the appliance can cause melting, discoloration or damage of decorations, a T.V. or other electronic components.

3.2B

## 2.1 DIMENSIONS



## 2.2 MINIMUM CLEARANCE TO COMBUSTIBLES

This appliance must be recessed into a vented noncombustible wood-burning appliance (prefabricated or masonry) only. The minimum appliance opening size in which the appliance is to be installed is:

**HEIGHT 21<sup>1</sup>/<sub>2</sub>"    WIDTH 29"    DEPTH \*13<sup>1</sup>/<sub>2</sub>"**

**The minimum allowable chimney flue size is 7" round.**

**\*Add 4" for optional blower.**

The minimum distance, from the bottom of a combustible mantle projecting 3" maximum from the wall to the top of the appliance, is 14" (see Minimum Mantel Clearances section).

## 2.3 GENERAL INSTRUCTIONS

<b>! WARNING</b>
<b>ALWAYS LIGHT THE PILOT WHETHER FOR THE FIRST TIME OR IF THE GAS SUPPLY HAS RUN OUT, WITH THE GLASS DOOR OPENED OR REMOVED.</b>
<b>PROVIDE ADEQUATE CLEARANCE FOR SERVICING AND OPERATING THE APPLIANCE.</b>
<b>PROVIDE ADEQUATE VENTILATION.</b>
<b>NEVER OBSTRUCT THE FRONT OPENING OF THE APPLIANCE.</b>
<b>OBJECTS PLACED IN FRONT OF THE APPLIANCE MUST BE KEPT A MINIMUM OF 48" FROM THE FRONT FACE OF THE APPLIANCE.</b>
<b>SURFACES AROUND AND ESPECIALLY ABOVE THE APPLIANCE CAN BECOME HOT. AVOID CONTACT WHEN THE APPLIANCE IS OPERATING.</b>
<b>FIRE RISK. EXPLOSION HAZARD.</b>
<b>HIGH PRESSURE WILL DAMAGE VALVE. DISCONNECT GAS SUPPLY PIPING BEFORE PRESSURE TESTING GAS LINE AT TEST PRESSURES ABOVE 1/2 PSIG. CLOSE THE MANUAL SHUT-OFF VALVE BEFORE PRESSURE TESTING GAS LINE AT TEST PRESSURES EQUAL TO OR LESS THAN 1/2 PSIG.</b>
<b>USE ONLY WOLF STEEL APPROVED OPTIONAL ACCESSORIES AND REPLACEMENT PARTS WITH THIS APPLIANCE. USING NON-LISTED ACCESSORIES (BLOWERS, DOORS, LOUVRES, TRIMS, GAS COMPONENTS, VENTING COMPONENTS, ETC.) COULD RESULT IN A SAFETY HAZARD AND WILL VOID THE WARRANTY AND CERTIFICATION.</b>

**THIS GAS APPLIANCE SHOULD BE INSTALLED AND SERVICED BY A QUALIFIED INSTALLER** to conform with local codes. Installation practices vary from region to region and it is important to know the specifics that apply to your area, for example in Massachusetts State:

- This product must be installed by a licensed plumber or gas fitter when installed within the commonwealth of Massachusetts.
- The appliance damper must be removed or welded in the open position prior to installation of an appliance insert or gas log.
- The appliance off valve must be a "T" handle gas cock.
- The flexible connector must not be longer than 36 inches.
- A Carbon Monoxide detector is required in all rooms containing gas fired appliances.
- The appliance is not approved for installation in a bedroom or bathroom unless the unit is a direct vent sealed combustion product.

The installation must conform with local codes or, in absence of local codes, the National Gas and Propane Installation Code CSA B149.1 in Canada, or the National Fuel Gas Code, ANSI Z223.1 / NFPA 54 in the United States. Suitable for mobile home installation if installed in accordance with the current standard CAN/CSA Z240MH Series, for gas equipped mobile homes, in Canada or ANSI Z223.1 and NFPA 54 in the United States.

As long as the required clearance to combustibles is maintained, the most desirable and beneficial location for an appliance is in the center of a building, thereby allowing the most efficient use of the heat created. The location of windows, doors and the traffic flow in the room where the appliance is to be located should be considered. If possible, you should choose a location where the vent will pass through the house without cutting a floor or roof joist.

If the appliance is installed directly on carpeting, vinyl tile or other combustible material other than wood flooring, the appliance shall be installed on a metal or wood panel extending the full width and depth.

Some appliances have optional fans or blowers. If an optional fan or blower is installed, the junction box must be electrically connected and grounded in accordance with local codes, use the current CSA C22.1 Canadian Electrical Code in Canada or the ANSI/NFPA 70 National Electrical code in the United States.

4.1A

## 2.4 GENERAL INFORMATION

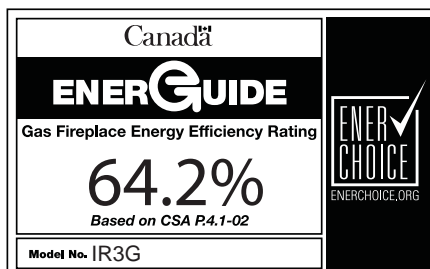
**FOR YOUR SATISFACTION, THIS APPLIANCE HAS BEEN TEST-FIRED TO ASSURE ITS OPERATION AND QUALITY!**

IR3G		
	NG	LP
Altitude (FT)	0-4,500	0-4,500
Max. Input (BTU/HR)	24,000	24,000
Max. Output (BTU/HR)	19,200	19,200
Efficiency (w/the fan on)	80%	80%
A.F.U.E. (maximum value)	77%	77%
Min. Inlet Gas Supply Pressure	4.5" Water Column	11" Water Column
Max. Inlet Gas Supply Pressure	7" Water Column	13" Water Column
Manifold Pressure (Under Flow Conditions)	3.5" Water Column	10" Water Column



When the appliance is installed at elevations above 4,500ft, and in the absence of specific recommendations from the local authority having jurisdiction, the certified high altitude input rating shall be reduced at the rate of 4% for each additional 1,000ft. Expansion / contraction noises during heating up and cooling down cycles are normal and to be expected.

This appliance is not approved for closet or recessed installations. It is approved for bathroom, bedroom and bed-sitting room installations and is suitable for mobile homes. The natural gas model is suitable for installation in a mobile home that is permanently positioned on its site and fuelled with natural gas.



## 2.5 RATING PLATE INFORMATION

<p>CERTIFIED UNDER / HOMOLOGUÉ SELON LES NORMES: ANSI Z21.88b-2009, CSA 2.22b-2009</p> <p>DO NOT TURN ON IF CHILDREN OR OTHER AT RISK INDIVIDUALS ARE NEAR THE FIREPLACE. DIRECT VENT GAS FIREPLACE HEATER. SUITABLE FOR BEDROOM, BATHROOM AND BED-SITTING ROOM INSTALLATION. SUITABLE FOR MOBILE HOME INSTALLATION IF INSTALLED IN ACCORDANCE WITH THE CURRENT STANDARD CAN/CSA Z240MH SERIES GAS EQUIPPED MOBILE HOMES, IN CANADA OR IN THE UNITED STATES THE MANUFACTURED HOME CONSTRUCTION AND SAFETY STANDARD, TITLE 24 CFR, PART 3280. WHEN THIS US STANDARD IS NOT APPLICABLE USE THE STANDARD FOR FIRE SAFETY CRITERIA FOR MANUFACTURED HOME INSTALLATIONS, SITES AND COMMUNITIES, ANSI / NFPA 501A.</p>		<p>VENTED GAS FIREPLACE / APPAREIL À GAZ VENTILÉS. NE PAS ALLUMER SI DES ENFANTS OU D'AUTRES INDIVIDUS À RISQUE SONT À PROXIMITÉ DU FOYER. APPAREIL DE CHAUFFAGE À ÉVACUATION DIRECTE. HOMOLOGUÉ POUR INSTALLATION DANS UNE CHAMBRE À COUCHER, UNE SALLE DE BAIN ET UN STUDIO. APPROPRIÉ POUR INSTALLATION DANS UNE MAISON MOBILE SI SON INSTALLATION EST CONFORME AUX EXIGENCES DE LA NORME CAN/CSA Z240MH SÉRIE DE MAISONS MOBILES ÉQUIPÉES AU GAZ. EN VIGUEUR AU CANADA, OU AUX ÉTATS-UNIS, SELON LA NORME DE SÉCURITÉ ET DE CONSTRUCTION DE MAISONS MANUFACTURÉES, TITRE 24 CFR, SECTION 3280. DANS LE CAS OÙ CETTE NORME DES ÉTATS-UNIS NE PEUT ÊTRE APPLIQUÉE, SE RÉFÉRER À LA NORME RELATIVE AU CRITÈRE DE MESURES DE SÉCURITÉ CONTRE L'INCENDIE POUR LES INSTALLATIONS DANS LES MAISONS MANUFACTURÉES, LES SITES ET LES COMMUNAUTÉS, ANS/NFPA 501A.</p>	
<p>MANIFOLD PRESSURE: 3.5" WATER COLUMN PRESSION AU COLLECTEUR: 3.5" D'UNE COLONNE D'EAU</p> <p>MINIMUM SUPPLY PRESSURE: 4.5" WATER COLUMN PRESSION D'ALIMENTATION MINIMALE: 4.5" D'UNE COLONNE D'EAU</p> <p>MAXIMUM SUPPLY PRESSURE: 7.0" WATER COLUMN PRESSION D'ALIMENTATION MAXIMALE: 7.0" D'UNE COLONNE D'EAU</p>		<p>MANIFOLD PRESSURE: 10" WATER COLUMN PRESSION AU COLLECTEUR: 10" D'UNE COLONNE D'EAU</p> <p>MINIMUM SUPPLY PRESSURE: 11" WATER COLUMN PRESSION D'ALIMENTATION MINIMALE: 11" D'UNE COLONNE D'EAU</p> <p>MAXIMUM SUPPLY PRESSURE: 13" WATER COLUMN PRESSION D'ALIMENTATION MAXIMALE: 13" D'UNE COLONNE D'EAU</p>	
<p>THIS VENTED GAS FIREPLACE HEATER IS NOT FOR USE WITH AIR FILTERS. FOR USE WITH GLASS DOORS CERTIFIED FOR THIS UNIT ONLY. NOT FOR USE WITH SOLID FUEL.</p> <p><b>WARNING:</b> DO NOT ADD ANY MATERIAL TO THE APPLIANCE THAT WILL COME IN CONTACT WITH THE FLAMES, OTHER THAN THAT SUPPLIED BY THE MANUFACTURER WITH THE APPLIANCE.</p> <p><b>ELECTRICAL RATING:</b> 115V 1.5AMP 60HZ THE APPLIANCE MUST BE VENTED USING THE APPROPRIATE WOLF STEEL VENT KITS. SEE OWNER'S INSTALLATION MANUAL FOR VENTING SPECIFICS. PROPER REINSTALLATION AND RESEALING IS NECESSARY AFTER SERVICING THE VENT-AIR INTAKE SYSTEM.</p> <p><b>WARNING:</b> FOR INSTALLATION INTO A VENTED NON-COMBUSTIBLE FIREPLACE ONLY. THE MINIMUM FIREPLACE SIZE IS: HEIGHT 20.5", DEPTH 13.25", WIDTH 29". THE MINIMUM INSIDE FLUE SIZE IS 6". THE MINIMUM DISTANCE FROM THE BOTTOM OF A COMBUSTIBLE MANTEL PROJECTING A MAXIMUM 3" FROM THE WALL TO THE TOP OF THE UNIT IS 12". SEE OWNER'S MANUAL FOR GREATER EXTENSIONS. OPTIONAL FAN KIT - GZ550-KT, GD65.</p>		<p>CE FOYER À GAZ VENTILÉS NE DOIT PAS ÊTRE UTILISÉ CONJOINTEMENT AVEC DES FILTRES À AIR. UTILISER AVEC LES PORTES VITRÉES HOMOLOGUÉES AVEC CETTE UNITÉ SEULEMENT. UN COMBUSTIBLE SOLIDE NE DOIT PAS ÊTRE UTILISÉ AVEC CET APPAREIL.</p> <p><b>AVERTISSEMENT:</b> N'A JOUEZ PAS A CET APPAREIL AUCUN MATERIAU DEVANT ENTRER EN CONTACT AVEC LES FLAMMES AUTRE QUE CELUI QUI EST FOURNI AVEC CET APPAREIL PAR LE FABRICANT.</p> <p><b>CLASS:</b> 115V, 1.5AMP, 60HZ L'APPAREIL DOIT ÉVACUER SES GAZ EN UTILISANT L'ENSEMBLE D'ÉVACUATION PROPRE A WOLF STEEL. RÉFÉRER AU MANUEL D'INSTALLATION DE PROPRIÉTAIRE POUR L'ÉVACUATION PRÉCISE. IL EST IMPORTANT DE BIEN REINSTALLER ET RECELLER L'ÉVENT APRES AVOIR ASSURE LE MAINTIEN DU SYSTEME DE PRISE D'AIR.</p> <p><b>ATTENTION:</b> POUR INSTALLATION DANS UN FOYER VENTILE EN MACONNERIE. LES DIMENSIONS MINIMUMS SONT: HAUTEUR 19.75", PROFONDEUR 13.25", LARGEUR 29" LE DIAMÈTRE INTERIEUR MINIMUM DE CONDUIT D'ÉVACUATION EST DE 6". LA DISTANCE MINIMALE, DU BAS DU MANTEAU COMBUSTIBLE FORMANT UNE PROJECTION MAXIMALE DE 3" DU MUR AU DESSUS DE LA GARNITURE NORMALE EST 12". RÉFÉRER AU MANUEL D'INSTALLATION POUR DES EXTENSIONS PLUS GRANDES. SOUFFLERIE OPTIONELLE GZ550-KT, GD65.</p>	
<p><b>WOLF STEEL LTD.</b> 24 NAPOLEON ROAD, BARRIE. ONTARIO L4M 4Y8 CANADA</p>		<p>SERIAL NUMBER/NO. DE SERIE: <b>IR3G/CIR3G</b> W385-0659</p>	

**INSTALLER:** It is your responsibility to check off the appropriate box on the rating plate according to the model, venting and gas type of the appliance.

For rating plate location, see "INSTALLATION OVERVIEW" section.

This illustration is for reference only. Refer to the rating plate on the appliance for accurate information.

**NOTE:** The rating plate must remain with the appliance at all times. It must not be removed.

## 3.0 INSTALLATION

### WARNING

**RISK OF FIRE, MAINTAIN SPECIFIED AIR SPACE CLEARANCES TO VENT PIPE AND APPLIANCE.**

Clean out ashes from the inside of the wood-burning appliance. Make sure that the chimney and wood-burning appliance are in a clean and sound condition and constructed of non-combustible materials. If necessary have any repair work done by a qualified person before installing the insert. Remove the existing appliance damper or lock into an open position.

Using screws, attach the appliance warning tag to the inside of the firebox of the appliance into which the insert is being installed.

The sheet-metal parts of the appliance, in which the gas appliance insert is to be installed, must not be cut.

If the wood-burning factory-built appliance has no gas access hole(s) provided, an access hole of 1½ inch or less may be drilled through the lower sides or bottom of the appliance in a proper workman like manner. This access hole must be plugged with non-combustible insulation after the gas supply line has been installed.

Ensure that existing chimney cleanouts fit properly.

The refractory, glass doors, screen rails, screen mesh and log grates may be removed from the existing appliance before installing the gas appliance insert.

Smoke shelves, shields and baffles may be removed if attached by mechanical fasteners.

The ventilation openings in the existing appliance may be obstructed by the backer plates, aluminium trim etc. but these parts are not to be applied so as to have an airtight seal.

**WARNING:** THIS FIREPLACE HAS BEEN CONVERTED FOR USE WITH A GAS FIREPLACE INSERT ONLY AND CANNOT BE USED FOR BURNING WOOD OR SOLID FUELS UNLESS ALL ORIGINAL PARTS HAVE BEEN REPLACED AND THE FIREPLACE IS RE-APPROVED BY THE AUTHORITY HAVING JURISDICTION.

**ATTENTION:** CE FOYER A ETE CONVERTI AFIN D'ETRE UTILISE SEULEMENT COMME FOYER ENCASTRE AU GAZ ET NE PEUT ETRE UTILISE POUR BRULER DU BOIS OU TOUT AUTRE COMBUSTIBLE SOLIDE, SANS QUE TOUTES LES PIECES ORIGINALES AIENT ETE REMPLACEES ET QUE LE FOYER SOIT APPROUVE DE NOUVEAU PAR LES AUTORITES AYANT JURISDICTION.

**ADVERTENCIA:** ESTA CHIMENEA SE REMODELO PARA USARSE SOLO CON UNA INSERCIÓN DE CHIMENEA A GAS Y NO PUEDE USARSE PARA QUEMAR MADERA NI COMBUSTIBLES SÓLIDOS, A MENOS QUE SE HAYAN REEMPLAZADO TODAS LAS PIEZAS ORIGINALES, Y LA AUTORIDAD JURISDICCIONAL LA HAYA VUELTO A APROBAR.

W385-0199\_B

68.4A

### 3.1 LEVELLING THE APPLIANCE

Move the appliance close to its final position. This appliance is equipped with levelling screws located on the base. Level using the levelling screws. Levelling the appliance will eliminate rocking or excessive noise when the fan is in operation. Once the appliance is level, move it partially into place to allow for all connections to be made. It is not practical to level the appliance once it has been installed. Determine the required depth prior to installing the appliance and adjust the levelling screws accordingly.

67.2



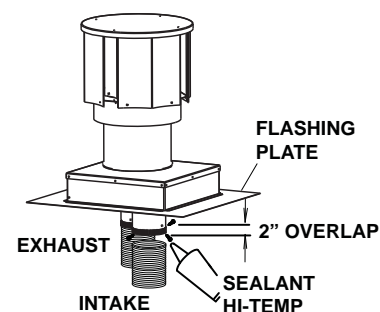
## 3.2 CHIMNEY CONNECTION

Chimney installation must conform to both national and local code requirements. The chimney must be lined with one 3" diameter liner for intake and one 3" diameter liner for exhaust. The minimum and maximum vent lengths are 10 and 35 feet respectively. Recommended kits come in 3 lengths:

### 2-3" DOUBLE PLY ALUMINUM LINER-INLET AND EXHAUST:

GDI-320KT	VENT KIT 20FT
GDI-325KT	VENT KIT 25 FT
GDI-335KT	VENT KIT 35 FT

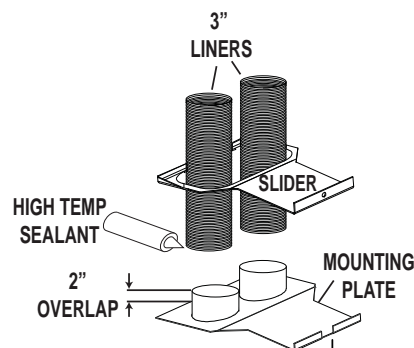
While the liners must be continuous from the appliance to the chimney cap, to achieve the needed length, they may be coupled, using an approved coupler. We recommend that exhaust vents that pass through unheated spaces, such as tall exterior chimneys, be wrapped in a protective sleeve to minimize condensation and reverse flow symptoms. See Trouble Shooting for details. This appliance is approved for use with a 3" exhaust and air intake.



- A. **OUTSIDE:** Slip the one end of a liner a minimum of 2" over the sleeve of the air terminal. Secure using 3 screws. Then seal the joint and screw heads with high temperature sealant. Repeat with the other liner.

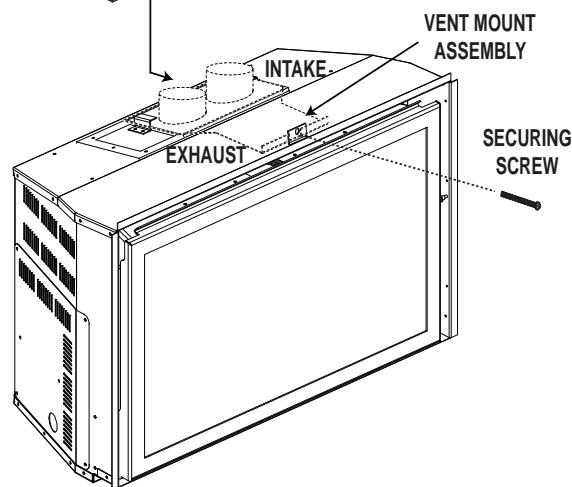
**NOTE:** We recommend that the other end of the exhaust liner be marked to eliminate the exhaust liner being connected to the intake collar at the appliance.

- B. Gently stretch the liners to the required lengths and insert into the chimney. Trim and fit the flashing plate to suit the chimney termination. Place the air terminal onto the top of the chimney. Make weather tight by sealing with caulking (not supplied). Fasten to the chimney with screws and plugs (not supplied).




- C. **INSIDE:** Remove the securing screw from the front of the vent mounting assembly. Slide the vent mount assembly from the track. Route the flex liners through the slider. Attach and secure the liners to the vent mounting plate, ensuring that the marked exhaust liner is attached to the exhaust collar.

- D. The appliance may now be pushed into the opening and the mounting plate assembly slid back into the track, and the securing screw started. Once the appliance is in it's final position tighten the securing screw until the slider makes contact with the front stop.



## 3.3 GAS INSTALLATION

 <b>WARNING</b>
<b>RISK OF FIRE, EXPLOSION OR ASPHYXIATION. ENSURE THERE ARE NO IGNITION SOURCES SUCH AS SPARKS OR OPEN FLAMES.</b>
<b>SUPPORT GAS CONTROL WHEN ATTACHING GAS SUPPLY PIPE TO PREVENT DAMAGING GAS LINE.</b>
<b>ALWAYS LIGHT THE PILOT WHETHER FOR THE FIRST TIME OR IF THE GAS SUPPLY HAS RUN OUT WITH THE GLASS DOOR OPENED OR REMOVED. PURGING OF THE GAS SUPPLY LINE SHOULD BE PERFORMED BY A QUALIFIED SERVICE TECHNICIAN. ASSURE THAT A CONTINUOUS GAS FLOW IS AT THE BURNER BEFORE CLOSING THE DOOR. ENSURE ADEQUATE VENTILATION. FOR GAS AND ELECTRICAL LOCATIONS, SEE "DIMENSION" SECTION.</b>
<b>ALL GAS CONNECTIONS MUST BE CONTAINED WITHIN THE APPLIANCE WHEN COMPLETE.</b>
<b>HIGH PRESSURE WILL DAMAGE VALVE. DISCONNECT GAS SUPPLY PIPING BEFORE TESTING GAS LINE AT TEST PRESSURES ABOVE 1/2 PSIG.</b>
<b>VALVE SETTINGS HAVE BEEN FACTORY SET, DO NOT CHANGE.</b>

Installation and servicing to be done by a qualified installer.

- A.** Move the appliance into position and secure.
- B.** If equipped with a flex connector the appliance is designed to accept a 1/2" gas supply. Without the connector it is designed to accept a 3/8" gas supply. The appliance is equipped with a manual shut off valve to turn off the gas supply to the appliance.
- C.** Connect the gas supply in accordance to local codes. In the absence of local codes, install to the current CAN/CSA-B149.1 Installation Code in Canada or to the current National Fuel Gas Code, ANSI Z223.1 / NFPA 54 in the United States.
- D.** When flexing any gas line, support the gas valve so that the lines are not bent or kinked.
- E.** The gas line flex-connector should be installed to provide sufficient movement for shifting the burner assembly on it's side to aid with servicing components.
- F.** Check for gas leaks by brushing on a soap and water solution. **Do not use open flame.**

30.1A

## 4.0 FINISHING

<b>! WARNING</b>
<b>RISK OF FIRE!</b>
<b>NEVER OBSTRUCT THE FRONT OPENING OF THE APPLIANCE.</b>
<b>THE FRONT OF THE APPLIANCE MUST BE FINISHED WITH ANY NON-COMBUSTIBLE MATERIALS SUCH AS BRICK, MARBLE, GRANITE, ETC., PROVIDED THAT THESE MATERIALS DO NOT GO BELOW THE SPECIFIED DIMENSION AS ILLUSTRATED.</b>
<b>DO NOT STRIKE, SLAM OR SCRATCH GLASS. DO NOT OPERATE APPLIANCE WITH GLASS REMOVED, CRACKED, BROKEN OR SCRATCHED.</b>
<b>FACING AND/OR FINISHING MATERIAL MUST NEVER OVERHANG INTO THE APPLIANCE OPENING.</b>

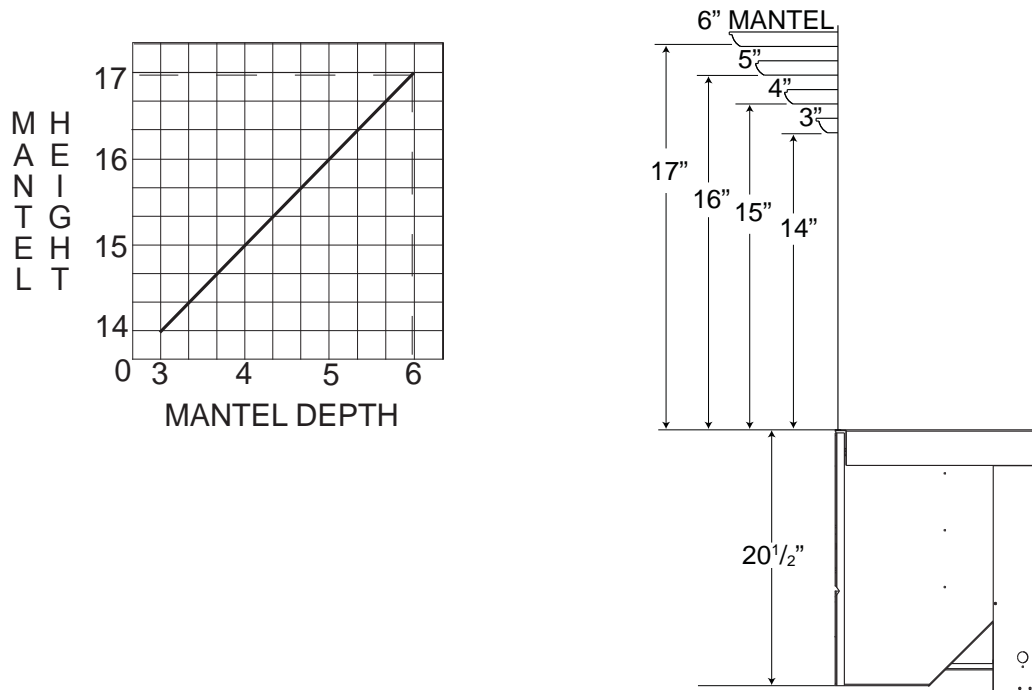
72.1A

### 4.1 MINIMUM MANTEL CLEARANCES

<b>! WARNING</b>
<b>RISK OF FIRE, MAINTAIN ALL SPECIFIED AIR SPACE CLEARANCES TO COMBUSTIBLES. FAILURE TO COMPLY WITH THESE INSTRUCTIONS MAY CAUSE A FIRE OR CAUSE THE APPLIANCE TO OVERHEAT. ENSURE ALL CLEARANCES (I.E. BACK, SIDE, TOP, VENT, MANTEL, FRONT, ETC.) ARE CLEARLY MAINTAINED.</b>
<b>WHEN USING PAINT OR LACQUER TO FINISH THE MANTEL, THE PAINT OR LACQUER MUST BE HEAT RESISTANT TO PREVENT DISCOLOURATION.</b>

73.1

Combustible mantel clearance can vary according to the mantel depth. Use the graph to help evaluate the clearance needed. These same requirements apply to any combustibles protruding on either side of the appliance.

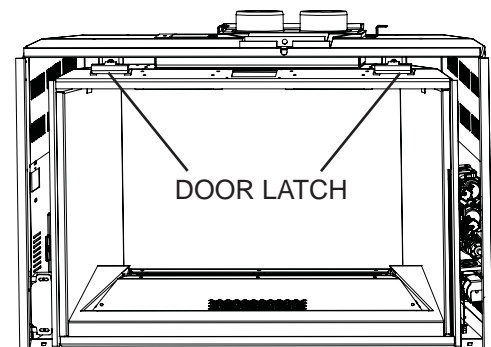


## 4.2 DOOR REMOVAL AND INSTALLATION

<b>! WARNING</b>
<b>GLASS MAY BE HOT, DO NOT TOUCH GLASS UNTIL COOLED.</b>
<b>THE DOOR LATCHES ARE PART OF A SAFETY SYSTEM AND MUST BE PROPERLY ENGAGED. DO NOT OPERATE THE APPLIANCE WITH LATCHES DISENGAGED.</b>
<b>FACING AND/OR FINISHING MATERIALS MUST NOT INTERFERE WITH AIR FLOW THROUGH AIR OPENINGS, LOUVRES OPENINGS, OPERATION OF LOUVRES OR DOORS OR ACCESS FOR SERVICE. OBSERVE ALL CLEARANCES WHEN APPLYING COMBUSTIBLE MATERIALS.</b>
<b>BEFORE DOOR IS REMOVED TURN THE APPLIANCE OFF AND WAIT UNTIL APPLIANCE IS COOL TO THE TOUCH. DOORS ARE HEAVY AND FRAGILE SO HANDLE WITH CARE.</b>

75.1

The optional front must be removed to allow the door to be opened or closed. Release the top left and right door latches, located at the top of the door. Tilt forward and lift from slots.



## 4.3 MEDIA INSTALLATION

<b>! WARNING</b>
<b>CLEAN THE GLASS MEDIA PRIOR TO INSTALLATION. BEFORE APPLYING THE CLEANED GLASS, ENSURE THAT IT IS DRY.</b>
<b>DO NOT CHANGE OR SUBSTITUTE THE GLASS MEDIA MATERIAL PROVIDED WITH THIS APPLIANCE. IF REPLACING, USE ONLY THE REPLACEMENT GLASS MEDIA AVAILABLE FROM YOUR AUTHORIZED DEALER / DISTRIBUTOR.</b>
<b>GLASS MEDIA OVER THE BURNER MUST NOT BE MORE THAN ONE LAYER HIGH. MORE THAN ONE LAYER OVER THE BURNER WILL CAUSE FLAME LIFTING AND SOOTING PROBLEMS.</b>

Evenly spread the glass media onto the media tray, covering the burner tube and following the natural shape of the media tray.

In some installations, glass media over the burner tube may cause a “Puffing” sound. If this sound is excessive, simply push the media away from the burner ports.

**NOTE:** The distribution of glass media over the burner tube will influence the flame height. When the flames impinge on the glass, the glass may discolour slightly and the edges may soften.

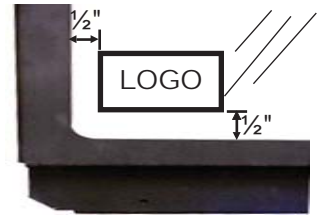
**CLEANING GLASS MEDIA**

Glass media may have a fine oil residue that needs to be cleaned prior to installation. Clean the glass with mild dish soap, drain, rinse thoroughly and dry before placing over the burner.

74.1A

#### 4.4 LOGO PLACEMENT

Remove the backing of the logo supplied and place on the glass viewing door, as indicated.

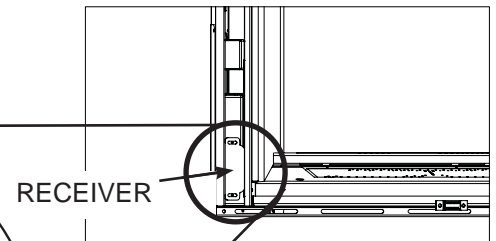
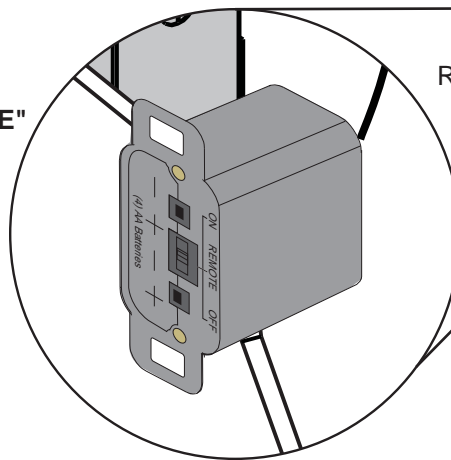


97.1

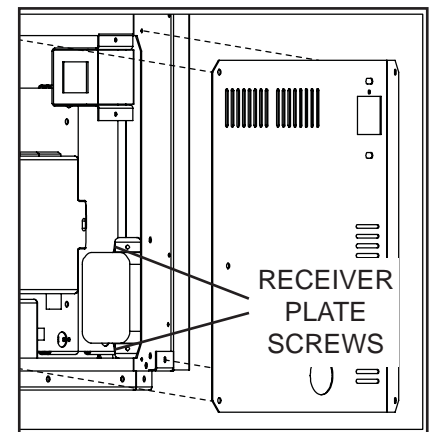
#### 4.5 BATTERY INSTALLATION

4 AA batteries must be installed into the receiver before operation is possible in the XIR3. The receiver is located in the bottom left corner of the appliance.

**NOTE:** Ensure the 3 position slider switch is in the "REMOTE" position (middle position).



If receiver removal is necessary, remove the left access panel from the front of the appliance. Remove the 2 screws holding the receiver in place. Pull the receiver through the access hole and replace.



## 5.0 ELECTRICAL INFORMATION

## 5.1 WIRING DIAGRAM

**! WARNING**

**DO NOT USE THIS APPLIANCE IF ANY PART HAS BEEN UNDER WATER. CALL A QUALIFIED SERVICE TECHNICIAN IMMEDIATELY TO HAVE THE APPLIANCE INSPECTED FOR DAMAGE TO THE ELECTRICAL CIRCUIT.**

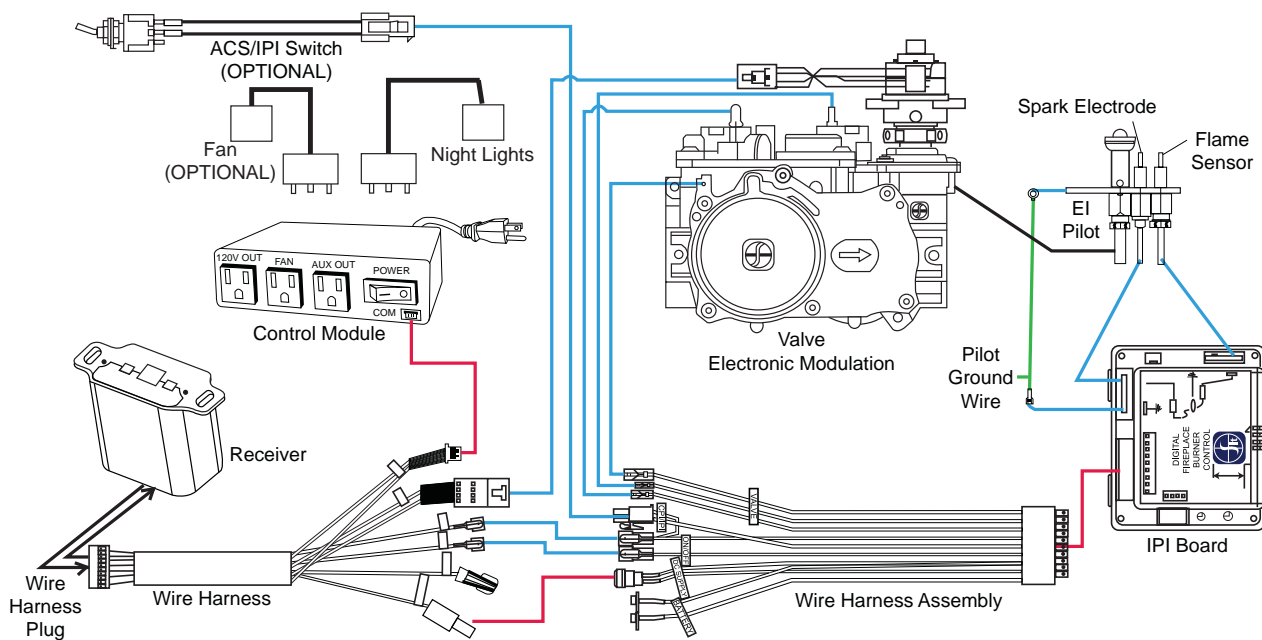
**RISK OF ELECTRICAL SHOCK OR EXPLOSION. DO NOT WIRE 110V TO THE VALVE OR TO THE APPLIANCE WALL SWITCH. INCORRECT WIRING WILL DAMAGE CONTROLS.**

**ALL WIRING SHOULD BE DONE BY A QUALIFIED ELECTRICIAN AND SHALL BE IN COMPLIANCE WITH LOCAL CODES. IN THE ABSENCE OF LOCAL CODES, USE THE CURRENT CSA22.1 CANADIAN ELECTRIC CODE IN CANADA OR THE CURRENT NATIONAL ELECTRIC CODE ANSI/NFPA NO. 70 IN THE UNITED STATES.**

**ALWAYS LIGHT THE PILOT WHETHER FOR THE FIRST TIME OR IF THE GAS SUPPLY HAS RAN OUT, WITH THE GLASS DOOR OPENED OR REMOVED.**

69.2

This appliance comes equipped with a battery back-up. If this back-up is used, install 4 AA batteries (not supplied) into the holder and connect to the receiver.



## 6.0 OPERATION

### **! WARNING**



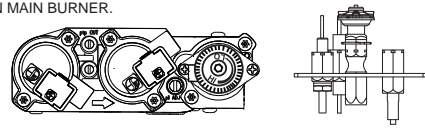




**IF YOU DO NOT FOLLOW THESE INSTRUCTIONS EXACTLY, A FIRE OR EXPLOSION MAY RESULT CAUSING PROPERTY DAMAGE, PERSONAL INJURY OR LOSS OF LIFE.**

**ALWAYS LIGHT THE PILOT WHETHER FOR THE FIRST TIME OR IF THE GAS SUPPLY HAS RUN OUT WITH THE GLASS DOOR OPENED OR REMOVED.**

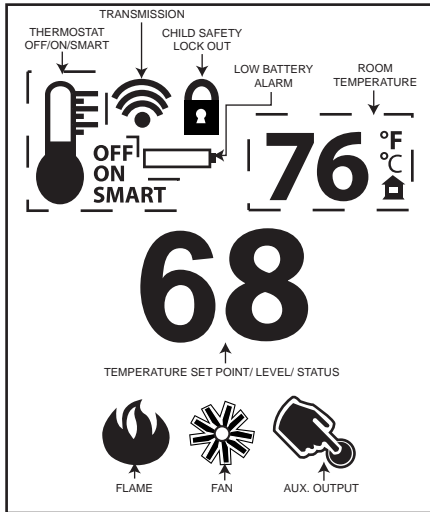
When lit for the first time, the appliance will emit a slight odour for a few hours. This is a normal temporary condition caused by the "burn-in" of internal paints and lubricants used in the manufacturing process and will not occur again. Simply open a window to sufficiently ventilate the room. After extended periods of non-operation such as following a vacation or a warm weather season, the appliance may emit a slight odour for a few hours. This is caused by dust particles in the heat exchanger burning off. Open a window to sufficiently ventilate the room.

### 6.1 OPERATING AND LIGHTING INSTRUCTIONS

OPERATING INSTRUCTIONS / INSTRUCTIONS D'OPERATION	
FOR YOUR SAFETY READ BEFORE OPERATING / POUR VOTRE SÉCURITÉ LIRE AVANT DE FAIRE FONCTIONNER	
<p><b>WARNING:</b> IF YOU DO NOT FOLLOW THESE INSTRUCTIONS EXACTLY, A FIRE OR EXPLOSION MAY RESULT CAUSING PROPERTY DAMAGE, PERSONAL INJURY OR LOSS OF LIFE.</p> <p>INITIAL LIGHTING OF THE PILOT AND MAIN BURNERS MUST BE DONE WITH THE GLASS DOOR OFF. DO NOT CONNECT VALVE OR WALL SWITCH TO ELECTRICITY. SEE INSTALLATION INSTRUCTIONS.</p> <p>A. THIS FIREPLACE IS EQUIPPED WITH AN IGNITION DEVICE WHICH AUTOMATICALLY LIGHTS THE PILOT. DO NOT TRY TO LIGHT BY HAND.</p> <p>B. BEFORE OPERATING SMELL ALL AROUND THE FIREPLACE AREA FOR GAS AND NEXT TO THE FLOOR BECAUSE SOME GAS IS HEAVIER THAN AIR AND WILL SETTLE ON THE FLOOR.</p> <p><b>WHAT TO DO IF YOU SMELL GAS:</b></p> <ul style="list-style-type: none"> <li>• TURN OFF ALL GAS TO THE FIREPLACE.</li> <li>• OPEN WINDOWS.</li> <li>• DO NOT TRY TO LIGHT ANY APPLIANCE.</li> <li>• DO NOT TOUCH ANY ELECTRIC SWITCH; DO NOT USE ANY PHONE IN YOUR BUILDING.</li> <li>• IMMEDIATELY CALL YOUR GAS SUPPLIER FROM A NEIGHBOUR'S PHONE. FOLLOW THE GAS SUPPLIER'S INSTRUCTIONS.</li> <li>• IF YOU CANNOT REACH YOUR GAS SUPPLIER, CALL THE FIRE DEPARTMENT.</li> </ul> <p>C. DO NOT TRY TO REPAIR ANY PART OF THIS ASSEMBLY. CALL A QUALIFIED SERVICE TECHNICIAN. FORCE OR ATTEMPTED REPAIR MAY RESULT IN A FIRE OR EXPLOSION.</p> <p>D. DO NOT USE THIS FIREPLACE IF ANY PART HAS BEEN UNDER WATER. IMMEDIATELY CALL A QUALIFIED SERVICE TECHNICIAN TO INSPECT THE FIREPLACE AND REPLACE ANY PART OF THE CONTROL SYSTEM AND ANY GAS CONTROL WHICH HAS BEEN UNDER WATER.</p>	<p><b>ATTENTION:</b> SI CES INSTRUCTIONS NE SONT PAS OBSERVÉES À LA LETTRE, UN FEU OU UNE EXPLOSION POURRAIT S'ENSUIVRE CAUSANT DES DOMMAGES À LA PROPRIÉTÉ, DES BLESSURES CORPORELLES OU PERTE DE VIE.</p> <p>L'ALLUMAGE INITIAL DE LA VEILLEUSE ET DU BRULEUR PRINCIPAL DOIT SE FAIRE AVEC LA PORTE VITRÉE ENLEVÉE. NE RACCORDEZ PAS LA SOUPEAU OU L'INTERRUPTEUR MURALE L'ELECTRICITÉ. CONSULTEZ LES INSTRUCTIONS D'INSTALLATION.</p> <p>A. CET APPAREIL EST MUNI D'UN DISPOSITIF D'ALLUMAGE QUI ALLUME LA VEILLEUSE AUTOMATIQUÉMENT.</p> <p>N'ESSAYEZ PAS D'ALLUMER LA VEILLEUSE MANUELLEMENT.</p> <p>B. AVANT D'ALLUMER SENTEZ L'AIR AUTOUR DE L'APPAREIL ET PRÈS DU PLANCHER (CERTAINS GAZ SONT PLUS LOURDS QUE L'AIR ET SE DÉPOSERONT AU NIVEAU DU PLANCHER) POUR DÉTECTER UNE FUITE POSSIBLE.</p> <p>QUE FAIRE SI VOUS DÉTECTEZ UNE ODEUR DE GAZ:</p> <ul style="list-style-type: none"> <li>• COUPEZ L'ALIMENTATION DE GAZ PRINCIPALE.</li> <li>• OUVREZ LES FENÊTRES.</li> <li>• N'ALLUMEZ AUCUN APPAREIL.</li> <li>• NE TOUCHEZ PAS À AUCUN INTERRUPTEUR ÉLECTRIQUE; N'UTILISEZ AUCUN TÉLÉPHONE DANS VOTRE IMMEUBLE.</li> <li>• APPELEZ IMMÉDIATEMENT VOTRE FOURNISSEUR DE GAZ D'UN TÉLÉPHONE VOISIN ET SUIVEZ SES INSTRUCTIONS.</li> <li>• SI VOUS NE POUVEZ PAS REJOINDRE VOTRE FOURNISSEUR DE GAZ, APPELEZ LE SERVICE DES INCENDIES.</li> </ul> <p>C. N'ESSAYEZ PAS DE RÉPARER AUCUNE PIÈCE DE CET ASSEMBLAGE. APPELEZ UN TECHNICIEN QUALIFIÉ. FORCER OU TENTER DE RÉPARER L'ASSEMBLAGE POURRAIT CAUSER UN FEU OU UNE EXPLOSION.</p> <p>D. N'UTILISEZ PAS CET APPAREIL SI UN DE SES COMPOSANTS À ÉTÉ SUBMERGÉ. CONTACTEZ IMMÉDIATEMENT UN TECHNICIEN DE SERVICE QUALIFIÉ POUR INSPECTER L'APPAREIL ET REMPLACER TOUT SYSTÈME DE CONTRÔLE DE GAZ TOUCHÉ PAR L'EAU.</p> <p style="text-align: right;">W385-0460</p>

LIGHTING INSTRUCTIONS / INSTRUCTIONS D'ALLUMAGE	
<ol style="list-style-type: none"> <li><b>STOP!</b> READ ALL INFORMATION OF OPERATING AND LIGHTING INSTRUCTIONS BEFORE PROCEEDING.</li> <li>TURN OFF ELECTRIC POWER TO THE FIREPLACE.</li> <li>THIS FIREPLACE IS EQUIPPED WITH AN IGNITION DEVICE WHICH AUTOMATICALLY LIGHTS THE PILOT. DO NOT TRY TO LIGHT THE PILOT BY HAND.</li> <li>OPEN THE GLASS DOOR.</li> <li>TURN MANUAL SHUTOFF VALVE CLOCKWISE  TO OFF.</li> <li>WAIT FIVE (5) MINUTES TO CLEAR OUT ANY GAS. IF YOU SMELL GAS INCLUDING NEAR THE FLOOR, <b>STOP!</b> FOLLOW "B" OF THE OPERATING INSTRUCTIONS. IF YOU DON'T SMELL GAS GO TO THE NEXT STEP.</li> <li>TURN MANUAL SHUTOFF VALVE COUNTER-CLOCKWISE  TO ON.</li> <li>CLOSE THE GLASS DOOR.</li> <li>TURN ON ALL ELECTRIC POWER TO THE FIREPLACE.</li> <li>TURN ON MAIN BURNER.</li> </ol> 	<ol style="list-style-type: none"> <li><b>ARRÊTEZ!</b> LISEZ TOUTES LES INSTRUCTIONS DE FONCTIONNEMENT ET D'ALLUMAGE AVANT DE CONTINUER.</li> <li>COUPEZ L'ALIMENTATION ÉLECTRIQUE À L'APPAREIL.</li> <li>CET APPAREIL EST MUNI D'UN DISPOSITIF D'ALLUMAGE QUI ALLUME LA VEILLEUSE AUTOMATIQUÉMENT, N'ESSAYEZ PAS D'ALLUMER LA VEILLEUSE MANUELLEMENT.</li> <li>OUVREZ LA PORTE VITRÉE.</li> <li>TOURNEZ LA SOUPEAU DE SECTIONNEMENT MANUELLE VERS LA DROITE  À "OFF".</li> <li>ATTENDEZ CINQ (5) MINUTES POUR QUE LE GAZ PUISSE S'ÉCHAPPER. SI VOUS DÉTECTEZ UNE ODEUR DE GAZ, <b>ARRÊTEZ!</b> SUIVEZ « B » DANS LES INSTRUCTIONS DE FONCTIONNEMENT. S'IL N'Y A PAS D'ODEUR DE GAZ, PASSEZ À L'ÉTAPE SUIVANTE.</li> <li>TOURNEZ LA SOUPEAU DE SECTIONNEMENT MANUELLE VERS LA GAUCHE  À "ON".</li> <li>FERMEZ LA PORTE VITRÉE.</li> <li>RÉTABLISSEZ L'ALIMENTATION ÉLECTRIQUE AU FOYER.</li> <li>ALLUMEZ LE BRÛLEUR PRINCIPAL.</li> </ol>
TO TURN OFF GAS / INSTRUCTIONS POUR COUPER LE GAZ	
<ol style="list-style-type: none"> <li>TURN OFF ALL ELECTRICAL POWER TO THE FIREPLACE IF SERVICE IS TO BE PERFORMED.</li> <li>TURN MANUAL SHUTOFF VALVE CLOCKWISE  TO OFF. DO NOT FORCE.</li> </ol>	<ol style="list-style-type: none"> <li>COUPEZ L'ALIMENTATION ÉLECTRIQUE AU FOYER SI UN TRAVAIL D'ENTRETIEN DOIT SE FAIRE.</li> <li>TOURNEZ LA SOUPEAU D'ARRÊT MANUELLE VERS LA DROITE  À "OFF" NE FORCEZ PAS.</li> </ol>

## 6.2 GENERAL TRANSMITTER LAYOUT



35.1

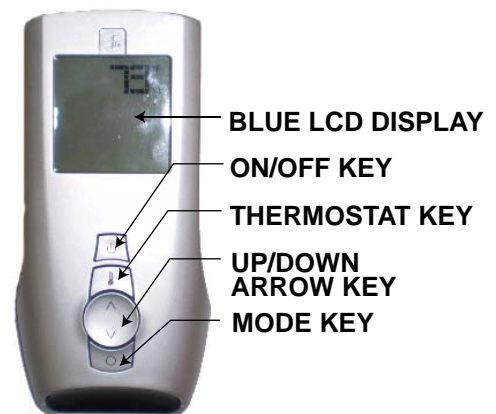
## 6.3 APPLIANCE OPERATION

- Install 4 AA batteries into the receiver battery bay as indicated on the battery cover (+/-). (Only required as back up to household electricity).
- Place the 3 position slider switch of the receiver in the "Remote" position.
- Using the end of a paper clip, or other similar object, insert the end of the paper clip into the hole marked "PRG" on the receiver front cover. The receiver will "beep" three (3) times to indicate that it is ready to synchronize with the transmitter.
- Install the 3 AAA batteries in the transmitter battery bay, located on the base of the transmitter. With the batteries already installed in the transmitter, push the "ON" button. The receiver will "beep" four times to indicate the transmitter's command is accepted and set to the particular code of that transmitter. The system is now initialized.

35.2A

## 6.4 HAND HELD REMOTE OPERATIONS

- Press the ON/OFF key on the transmitter. The transmitter display will show all active icons on the screen. A single "beep" from the receiver will confirm reception of the command.

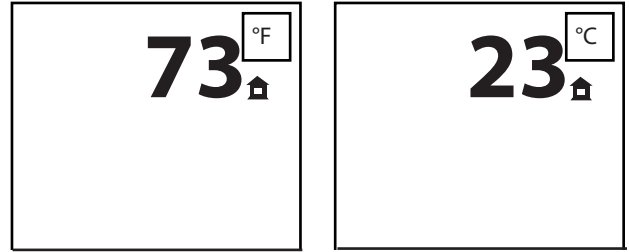


35.4



## 6.5 TEMPERATURE DISPLAY

- A. With the system in the "OFF" position, press the Thermostat Key and the Mode Key at the same time to change from degrees F to C.
- B. Look at the LCD screen on the Transmitter to verify that a C or F is visible to the right of the Room Temperature display.



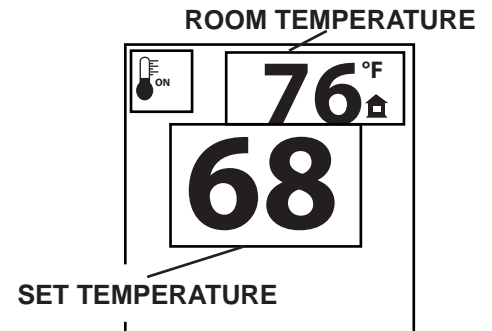

---

 35.5

## 6.6 ROOM THERMOSTAT

The remote transmitter can operate as a room thermostat. The thermostat can be set to a desired temperature to control the comfort level in the room.

- A. Press the Thermostat Key. The LCD display on the Transmitter will show that the room is "ON" and the set temperature is now displayed.
- B. To adjust the set temperature, press the Up/Down Arrow Keys until the desired set temperature is displayed on the LCD screen of the Transmitter.



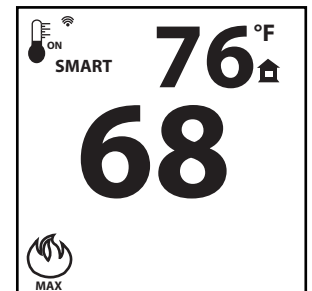

---

 35.6

## 6.7 SMART THERMOSTAT

The Smart Thermostat function adjusts the flame height according to the difference between the set temperature and the actual room temperatures. As the room temperature gets closer to the set point the Smart Function will automatically adjust the flame down.

- A. Press the thermostat key until the word "SMART" appears to the right of the temperature bulb graphic.
- B. To adjust the set temperature, press the Up/Down arrow keys until the desired set temperature is displayed on the LCD screen at the Transmitter.



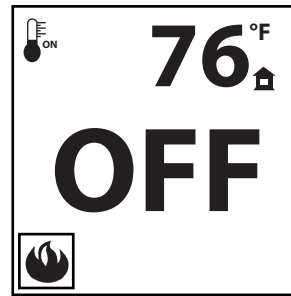

---

 35.7

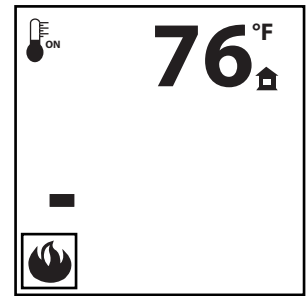
## 6.8 FLAME HEIGHT

The remote control has six (6) flame levels. With the system on and the flame level at the maximum, press the Down Arrow Key once and it will reduce the flame height by one step until the flame is turned off.

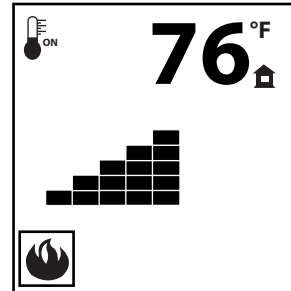
The Up Arrow Key will increase the flame height each time it is pressed. If the Up Arrow Key is pressed while the system is on but the flame is off, the flame will come on the high position. A single “beep” will confirm reception of the command.



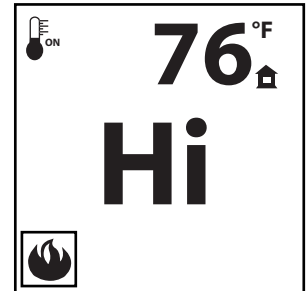
FLAME OFF



FLAME AT LEVEL 1



FLAME AT LEVEL 5



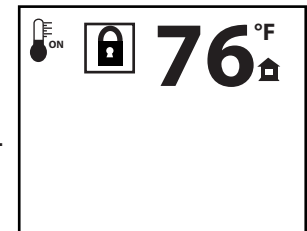
FLAME AT "HI" LEVEL 6

35.8

## 6.9 CHILD PROOF FUNCTION

This function will lock the keys to avoid unsupervised operation.

- A. Press the MODE and UP keys at the same time.
- B. To de-activate this function, press the MODE and UP keys at the same time.

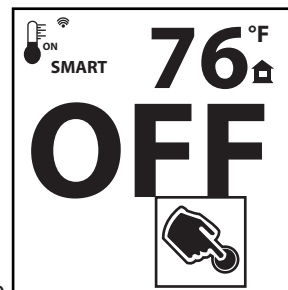


35.10

## 6.10 NIGHT LIGHT

The auxiliary function controls the AUX power outlet on the Control Module which controls the NIGHT LIGHT™.

- A. Use the Mode Key to guide you to the AUX icon.
- B. Pressing the Up Arrow Key will activate the NIGHT LIGHT™.
- C. Pressing the Down Arrow Key will turn the NIGHT LIGHT™ off. A single “beep” will confirm the reception of the command.



35.12

## 6.11 LOW BATTERY / MANUAL BYPASS

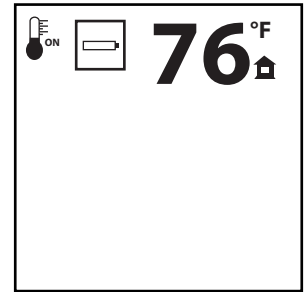
The life span of the remote batteries depends on various factors: quality of the batteries, the number of ignitions, the number of charges to the room thermostat set point, etc.

When the transmitter batteries are low, a Battery Icon will appear on the LCD display before all battery power is lost. When the batteries are replaced this icon will disappear.

Not applicable when plugged into 110V.

When the receiver batteries are low, no “beep” will be emitted from the receiver when it receives an ON/OFF command. This is an alert for the receiver that there’s low battery. When the batteries are replaced the “beep” will be emitted from the receiver when the ON/OFF key is pressed.

If the batteries of the receiver or transmitter are low, the appliance can be turned on manually by sliding the three position slider switch on the receiver to the “ON” position. This will bypass the remote control feature and the appliance main burner will come on if the gas valve is in the “ON” position.




---

 35.13

## 6.12 IN THE EVENT OF A POWER FAILURE

If the receiver is equipped with batteries they will enable flame height control, ON/OFF or thermostat function to control the fireplace during a power failure. Refer to “APPLIANCE OPERATION” section when communications between receiver and transmitter have been lost. The will receiver emit a “beep” sound to confirm programming has been successful once power is restored. During a power failure, if the fireplace was on, the flame height will stay at the setting prior to the failure. If off when the failure occurs and then turned on, the flame height will come on at “HI”. The flame height can then be controlled by the remote.

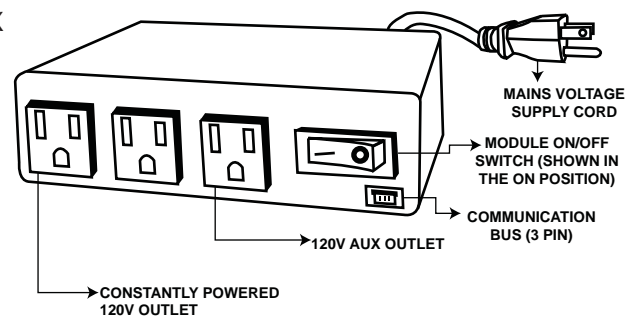
---

 35.14

## 6.13 CONTROL MODULE

The control module offers a remotely actuated 120V AUX outlet for the accent lights and a constantly powered 120V outlet.

**NOTE:** Control module ON/OFF switch should always be in the “ON” position. If for any reason the module is turned “OFF”, the components plugged into the module won’t have power.




---

 35.16

## 6.14 TIMED BLOWER

Your remote system may have a built in timer (in thermostat mode) that enables the blower (if equipped) to cycle on and off automatically when the burner turns on and off. With the remote control fan speed preset at the preferred speed, the blower will come on approximately 5 minutes after the main burner comes on and will shut off approximately 12 minutes after the burner shuts off.

This time delay is designed to maximize the blower distribution of heated air.

If at any time the burner re-ignites before the twelve minutes are over, the fan will continue to run.

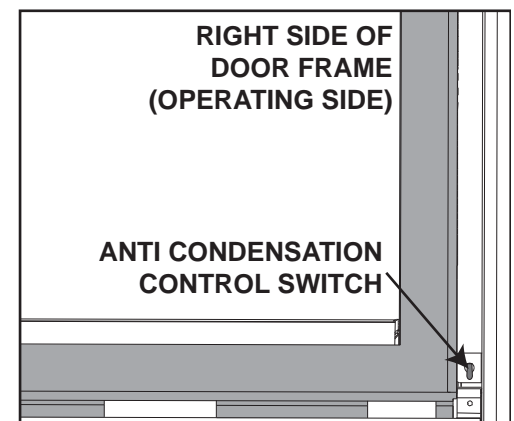
**NOTE:** At any time in the sequence, the blower (if equipped) can be manually turned on/off using the remote control.

---

35.19B

## 6.15 ANTI CONDENSATION CONTROL SWITCH (OPTIONAL)

This appliance has the option to go from an electronic intermittent pilot ignition to a standing pilot for cold climates.



## 7.0 ADJUSTMENTS

### 7.1 PILOT BURNER ADJUSTMENT

Adjust the pilot screw to provide properly sized flame. Turn in a clockwise direction to reduce the gas flow.

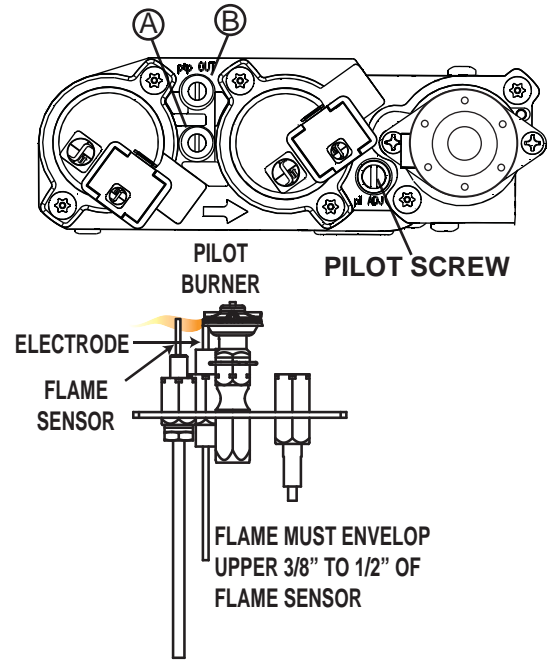
**Check Pressure Readings:**

Inlet pressure can be checked by turning screw (A) counter-clockwise 2 or 3 turns and then placing pressure gauge tubing over the test point. Gauge should read 7" (minimum 4.5") water column for natural gas or 13" (11" minimum) water column for propane. Check that main burner is operating on "HI".

Outlet pressure can be checked the same as above using screw (B). Gauge should read 3.5" water column for natural gas or 10" water column for propane. Check that main burner is operating on "HI".

**AFTER TAKING PRESSURE READINGS, BE SURE TO TURN SCREWS CLOCKWISE FIRMLY TO RESEAL. DO NOT OVERTORQUE.**

Leak test with a soap and water solution.



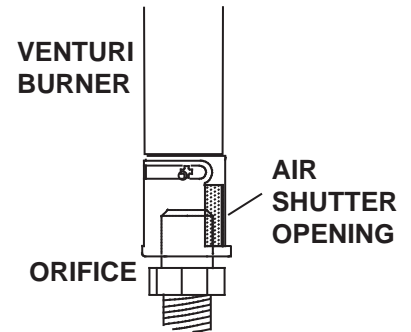
39.1A

### 7.2 VENTURI ADJUSTMENT

This appliance has an air shutter that has been factory set open according to the chart below:

Regardless of venturi orientation, closing the air shutter will cause a more yellow flame, but can lead to carboning. Opening the air shutter will cause a more blue flame, but can cause flame lifting from the burner ports. The flame may not appear yellow immediately; allow 15 to 30 minutes for the final flame colour to be established.

**AIR SHUTTER ADJUSTMENT MUST ONLY BE DONE BY A QUALIFIED INSTALLER!**

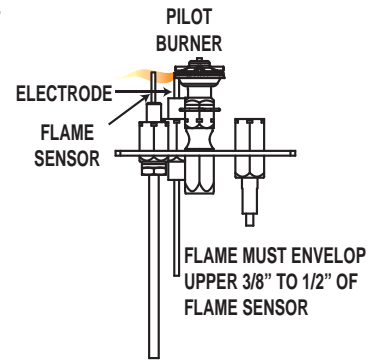


49.1

IR3G	
NG	1/8"
LP	1/2"

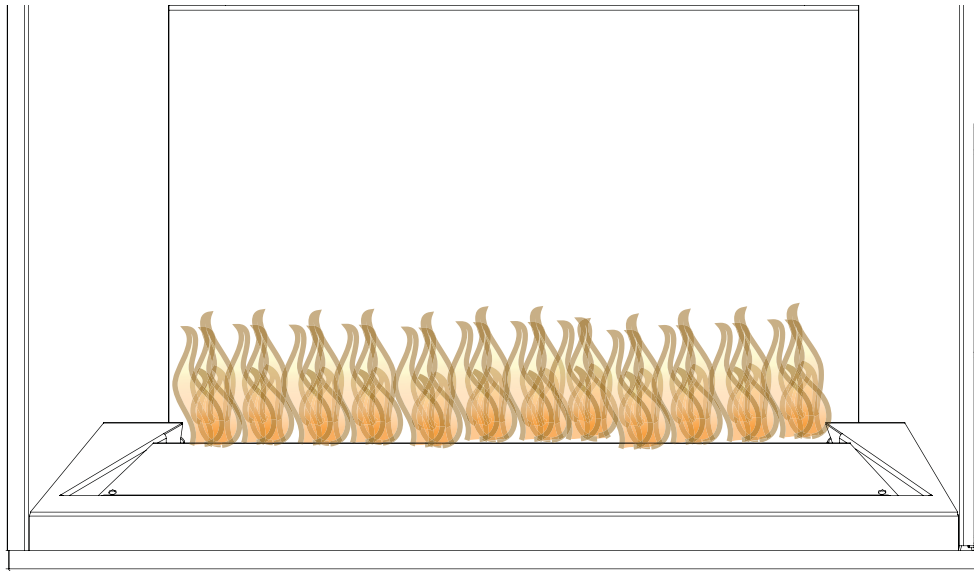
### 7.3 FLAME CHARACTERISTICS

It's important to periodically perform a visual check of the pilot and burner flames. Compare them to the illustration provided. If any flames appear abnormal call a service person.



54.1A

IR3G



## 8.0 MAINTENANCE

<b>! WARNING</b>
<b>TURN OFF THE GAS AND ELECTRICAL POWER BEFORE SERVICING THE APPLIANCE.</b>
<b>APPLIANCE MAY BE HOT, DO NOT SERVICE UNTIL APPLIANCE HAS COOLED.</b>
<b>DO NOT USE ABRASIVE CLEANERS.</b>

**CAUTION:** Label all wires prior to disconnection when servicing controls. Wiring errors can cause improper and dangerous operation. Verify proper operation after servicing. This appliance and its venting system should be inspected before use and at least annually by a qualified service person. The appliance area must be kept clear and free of combustible materials, gasoline or other flammable vapors and liquids. The flow of combustion and ventilation air must not be obstructed.

- A. In order to properly clean the burner and pilot assembly, remove the logs, rocks and/or glass to expose both assemblies.
- B. Keep the control compartment, media, burner, air shutter opening and the area surrounding the logs clean by vacuuming or brushing, at least once a year.
- C. Check to see that all burner ports are burning. Clean out any of the ports which may not be burning or are not burning properly.
- D. Inspect the ember screen beneath the front log. Long term exposure to direct flames will deteriorate the stainless steel screen. Replace as required.
- E. Check to see that the pilot flame is large enough to engulf the flame sensor and/or thermocouple / thermopile as well as reaches the burner.
- F. Replace the cleaned logs, rocks or glass. Failure to properly position the media may cause carboning which can be distributed in the surrounding living area.
- G. Check to see that the main burner ignites completely on all openings when turned on. A 5 to 10 second total light-up period is satisfactory. If ignition takes longer, consult your local authorized dealer / distributor.
- H. Check that the gasketing on the sides, top and bottom of the door is not broken or missing. Replace if necessary.
- I. If for any reason the vent air intake system is disassembled, re-install and re-seal per the instructions provided for the initial installation.

40.1A

### 8.1 CARE OF GLASS

**DO NOT CLEAN GLASS WHEN HOT! DO NOT USE ABRASIVE CLEANERS TO CLEAN GLASS.**

Buff lightly with a clean dry soft cloth. Clean both sides of the glass after the first 10 hours of operation with a recommended fireplace glass cleaner. Thereafter clean as required. If the glass is not kept clean permanent discoloration and / or blemishes may result.

<b>! WARNING</b>	
	<p><b>HOT GLASS WILL CAUSE BURNS.</b></p> <p><b>DO NOT TOUCH GLASS UNTIL COOLED.</b></p> <p><b>NEVER ALLOW CHILDREN TO TOUCH GLASS.</b></p>

5.1

### 8.2 CARE OF PLATED PARTS

If the appliance is equipped with plated parts, you must clean fingerprints or other marks from the plated surfaces before operating the appliance for the first time. Use a glass cleaner or vinegar and towel to clean. If not cleaned properly before operating for the first time, the marks can cause permanent blemishes on the plating. After the plating is cured, the fingerprints and oils will not affect the finish and little maintenance is required, just wipe clean as needed. Prolonged high temperature burning with the door ajar may cause discoloration on plated parts.

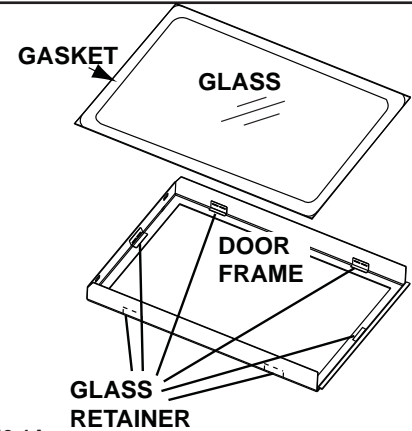
**NOTE:** The protective wrap on plated parts is best removed when the assembly is at room temperature but this can be improved if the assembly is warmed, using a hair dryer or similar heat source.

6.1

## 8.3 DOOR GLASS REPLACEMENT

<b>! WARNING</b>
<b>DO NOT USE SUBSTITUTE MATERIALS.</b>
<b>GLASS MAY BE HOT, DO NOT TOUCH GLASS UNTIL COOLED.</b>
<b>CARE MUST BE TAKEN WHEN REMOVING AND DISPOSING OF ANY BROKEN DOOR GLASS OR DAMAGED COMPONENTS. BE SURE TO VACUUM UP ANY BROKEN GLASS FROM INSIDE THE APPLIANCE BEFORE OPERATION.</b>
<b>DO NOT STRIKE, SLAM OR SCRATCH GLASS. DO NOT OPERATE APPLIANCE WITH GLASS REMOVED, CRACKED, BROKEN OR SCRATCHED.</b>

- A. Place the door frame face down careful not to scratch the paint.
- B. Center the gasketed glass inside the door frame with the thick side of the gasket facing up.
- C. Bend the glass retainers located along the edge of the door frame over the gasket holding the glass in place. Careful not to break the glass.



56.1A

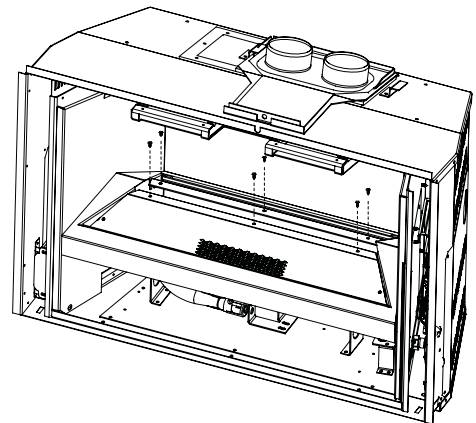
**NOTE:** Care must be taken when removing and disposing of any broken glass or damaged components. Be sure to vacuum up any broken glass from inside the appliance before operation.

## 8.4 MEDIA TRAY INSTALLATION

Secure the media tray to the burner using 6 screws (W570-0001).

**When removing the media tray make sure the glass media is away from the center of the screen, exposing the burner, remove screws and lift media tray out.**

When replacing burner, absolutely no glass media can be surrounding the orifice. **HINT:** If glass surrounds the orifice, insert a clean bag into a vacuum cleaner and vacuum out glass media. Replacement glass media can be ordered from Wolf Steel Ltd.





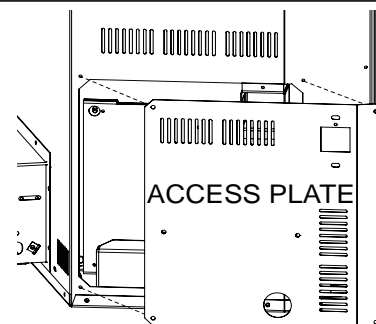
## 8.5 FCM REPLACEMENT

**WARNING**

**TURN OFF THE GAS AND ELECTRICAL POWER BEFORE SERVICING THE APPLIANCE.**

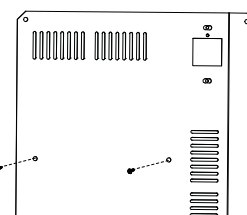
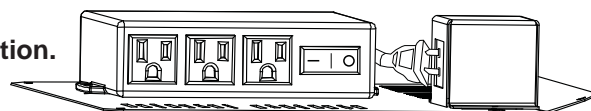
**THE APPLIANCE MAY BE HOT. DO NOT SERVICE APPLIANCE UNTIL IT HAS COOLED.**

- A. To access the Fan Control Module, you must first pull out the appliance, to provide enough room to access the left access plate.
- B. Remove the screws holding the access plate in position.
- C. Unplug the Fan Control Module from the junction box. Unplug the night light plug and blower plug (if applicable) from the Fan Control Module.



**NOTE:** Ensure that the ON/OFF switch is in the ON ( - ) position.

- D. Remove the 2 screws securing the Fan Control Module the access plate and replace.
- E. Reinstall the plugs and access plate

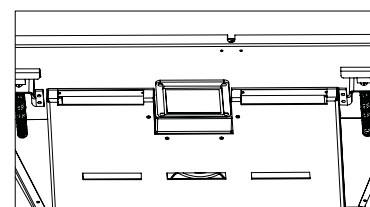


## 8.6 NIGHT LIGHT™ REPLACEMENT

Your appliance comes equipped with our “Night Light™”. The light has been pre-wired and is controlled from the remote control.

If the lamp or lens needs to be replaced, follow the instructions below.

- A. Unplug the fan control module from the junction box located behind the left access panel.
- B. Remove the four screws that secure the lens frame. This frame retains the glass lens. The lamp can now be accessed.

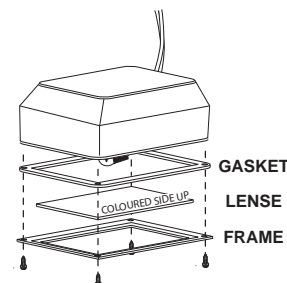


**NOTE:** Do not handle the lamp (bulb) with bare fingers, protect with a clean dry cloth.

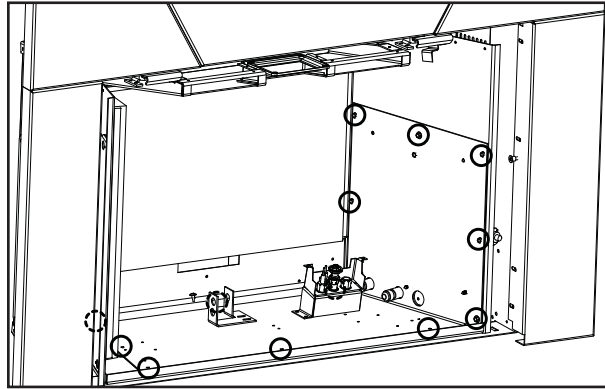
The lamp will pull straight out of the socket. Replace with Wolf Steel parts only, as lamp and lens are special “high temperature” products. When re-installing, ensure integrity of gasket seal.

**THE FIREBOX MUST BE SEALED.**

Over-tightening the screws could break the lens. “Light Leakage” from the upper area may be observed. The holes in the lamp housing are necessary for ventilation and must not be covered.



## 8.7 VALVE TRAIN REPLACEMENT



- A. Remove the glass door. See "DOOR REMOVAL AND INSTALLATION" section. Remove the burners, see "BURNER REMOVAL" section.
- B. Remove the 14 screws holding the valve train in place.  
**NOTE:** A new gasket may be required when reinstalling the valve train assembly. Contact your local authorized dealer/distributor.
- C. Carefully lift the valve train assembly out far enough to access the manual shut off valve and turn to the off position. Disconnect the flex connector from the valve. You may now lift the valve train out of the appliance.

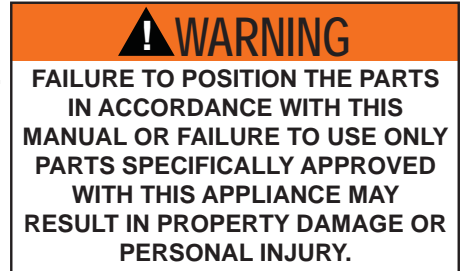
## 9.0 REPLACEMENTS

Contact your dealer or the factory for questions concerning prices and policies on replacement parts. Normally all parts can be ordered through your Authorized dealer / distributor.

**FOR WARRANTY REPLACEMENT PARTS, A PHOTOCOPY OF THE ORIGINAL INVOICE WILL BE REQUIRED TO HONOUR THE CLAIM.**

When ordering replacement parts always give the following information:

- Model & Serial Number of appliance
- Installation date of appliance
- Part number
- Description of part
- Finish



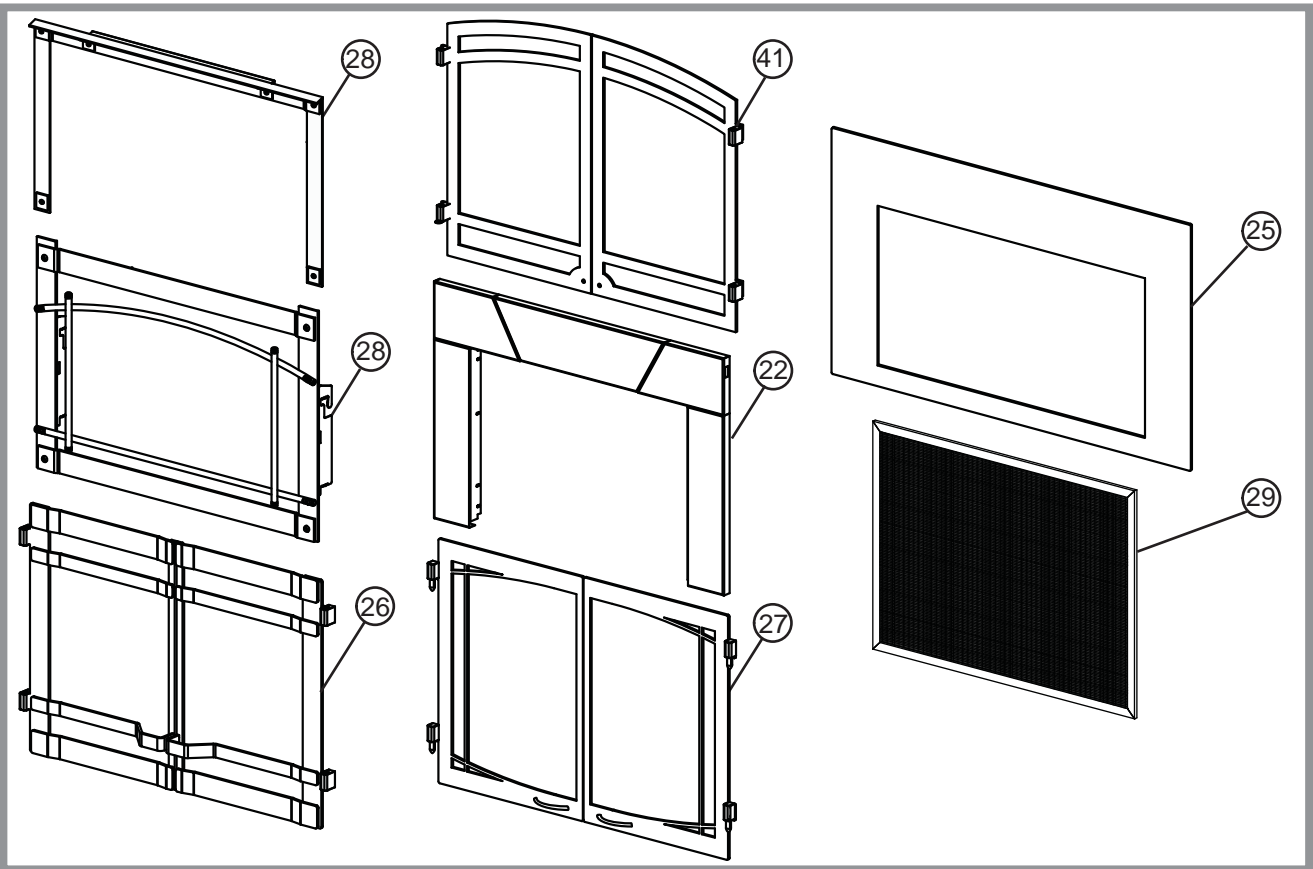
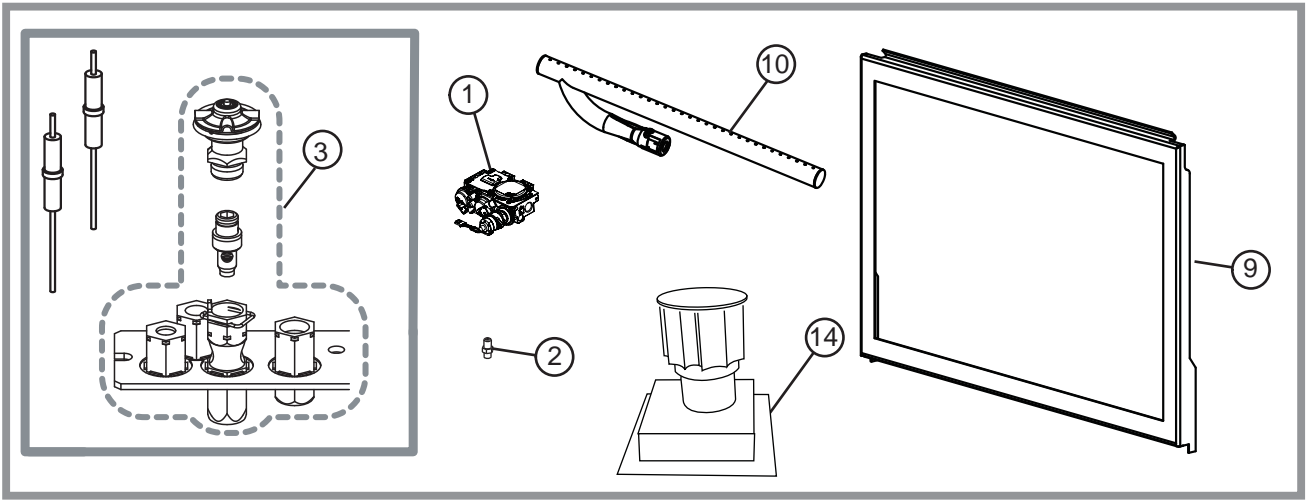
\* IDENTIFIES ITEMS WHICH ARE NOT ILLUSTRATED. FOR FURTHER INFORMATION, CONTACT YOUR AUTHORIZED DEALER. \_\_\_\_\_ 41.1

COMPONENTS		
REF NO.	PART NO	DESCRIPTION
1	W725-0056	NATURAL GAS VALVE
1	W725-0057	PROPANE GAS VALVE
2	W456-0042	#42 NATURAL GAS BURNER ORIFICE
2	W456-0053	#53 PROPANE GAS BURNER ORIFICE (FRONT BURNER)
3	W010-1865	NATURAL GAS PILOT ASSEMBLY
3	W010-1866	PROPANE GAS PILOT ASSEMBLY
4*	W455-0070	NATURAL GAS PILOT INJECTOR
5*	W455-0068	PROPANE GAS PILOT INJECTOR
6*	W385-0334	NAPOLEON LOGO
7*	W562-0008	GLASS GASKET
8*	W010-2701	GLASS W/ GASKET
9	W010-2702	DOOR, GLASS & GASKET ASSEMBLY
10	W010-2705	BURNER TUBE ASSEMBLY
11*	W190-0029	IPI BOARD
12*	W707-0010	NIGHT LIGHT TRANSFORMER
13*	W290-0080	NIGHT LIGHT GASKET
21*	W387-0006	NIGHT LIGHT BULB
31*	W300-0086	NIGHT LIGHT LENS
32*	W300-0135	TOPAZ GLASS

TERMINAL KITS		
REF NO.	PART NO.	DESCRIPTION
14	GDI-226	TERMINAL

VENT KITS		
REF NO.	PART NO.	DESCRIPTION
	<b>2-3" DOUBLE PLY ALUMINUM LINER-INLET AND EXHAUST:</b>	
15*	GDI-320KT	VENT KIT 20FT
15*	GDI-325KT	VENT KIT 25 FT
15*	GDI-335KT	VENT KIT 35 FT

ACCESSORIES		
REF NO.	PART NO.	DESCRIPTION
16*	GI-RB	RISER BOX - PAINTED BLACK
17*	W175-0343	CONVERSION KIT - LP-NG
17*	W175-0342	CONVERSION KIT - NG-LP
18*	W660-0081	WALL MOUNT DIGITAL THERMOSTAT
19*	W660-0026	PROGRAMMABLE TIMER, BATTERY OPERATED
20*	GDI-226	TERMINAL VENTING KIT
22	I3S6	5 PC SURROUND < 25.5H X 37.5W - MATTE BLACK
22	I3S9	5 PC SURROUND < 30H X 48W - MATTE BLACK
23	I3DS6	DELUXE 1 PC SURROUND <25.5H X 37.5W - MATTE BLACK
23	I3DS9	DELUXE 1 PC SURROUND < 30H X48W - MATTE BLACK
24	CI3S	CAST IRON SURROUND KIT < 29H X 46W - MATTE BLACK
25	I3CRFK	CONTEMPORARY RECTANGULAR FRONT - GLOSS BLACK
25	I3CRFHC	CONTEMPORARY RECTANGULAR FRONT - HAMMERTONE COPPER
25	I3CRFSS	CONTEMPORARY RECTANGULAR FRONT - SATIN CHROME PLATED
26	I3DW	WROUGHT IRON DOOR W/SCREEN - BLACK
27	I3DZMK	ZEN MODERN DOOR - BLACK
27	I3DZWI	ZEN MODERN DOOR - WROUGHT IRON
27	I3DZHC	ZEN MODERN DOOR - HAMMERTONE COPPER
28	I3DPS	PREMIUM SCALLOPED ARTISIAN DOOR - WROUGHT IRON
28	I3FS6	PREMIUM SCALLOPED STEEL FRAME (FOR I3DS6)
28	I3FS9	PREMIUM SCALLOPED STEEL FRAME (FOR I3DS9)
29	I3SS	SAFETY SCREEN
30	I3BK	BLOWER KIT, REMOTE CONTROLLED



## 10.0 TROUBLESHOOTING

**! WARNING**

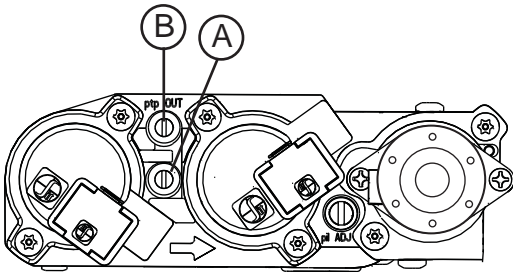
**ALWAYS LIGHT THE PILOT WHETHER FOR THE FIRST TIME OR IF THE GAS SUPPLY HAS RAN OUT, WITH THE GLASS DOOR OPEN OR REMOVED.**

**TURN OFF THE GAS AND ELECTRICAL POWER BEFORE SERVICING THE APPLIANCE.**

**APPLIANCE MAY BE HOT, DO NOT SERVICE UNTIL APPLIANCE HAS COOLED.**

**DO NOT USE ABRASIVE CLEANERS.**

SYMPTOM	PROBLEM	TEST SOLUTION
Remote controls Crystalite / Night light but no spark or flame.	Remote is locked out.	<ul style="list-style-type: none"> <li>- Reset by turning power source off then on.</li> </ul> <p><b>NOTE: If back up batteries are installed, they must also be removed to re-program.</b></p>
Main burner flame is a blue, lazy, transparent flame.	Blockage in vent.	<ul style="list-style-type: none"> <li>- Remove blockage. In really cold conditions, ice buildup may occur on the terminal and should be removed as required. To minimize this from happening again, it is recommended that the vent lengths that pass through unheated spaces (attics, garages, crawl spaces) be wrapped with an insulated mylar sleeve. Prevent sleeve from sagging. Contact your local authorized dealer for more information.</li> </ul>
	Incorrect installation.	<ul style="list-style-type: none"> <li>- Refer to "VENTING" section to ensure correct installation.</li> </ul>
Flames are consistently too large or too small. Carboning occurs.	Appliance is over-fired or underfired.	<ul style="list-style-type: none"> <li>- <b>Check pressure readings:</b> <i>Inlet pressure</i> can be checked by turning screw (A) counter-clockwise 2 or 3 turns and then placing pressure gauge tubing over the test point. Gauge should read 7" (minimum 4.5") water column for natural gas or 13" (minimum 11") water column for propane. Check that main burner is operating on 'HI'. <i>Outlet pressure</i> can be checked the same as above using screw (B). Gauge should read 3.5" water column for natural gas or 10" water column for propane. Check that main burner is operating on 'HI'. <b>AFTER TAKING PRESSURE READINGS, BE SURE TO TURN SCREWS CLOCKWISE FIRMLY TO RESEAL. DO NOT OVER TORQUE.</b> Leak test with a soap and water solution.</li> </ul>
Carbon is being deposited on glass, logs, rocks, media or combustion chamber surfaces.	Air shutter has become blocked.	<ul style="list-style-type: none"> <li>- Ensure air shutter opening is free of lint or other obstructions.</li> </ul>
	Flame is impinging on the glass, logs, rocks, media or combustion chamber.	<ul style="list-style-type: none"> <li>- Check that the glass, logs, rocks, media are correctly positioned.</li> <li>- Open air shutter to increase the primary air.</li> <li>- Check the input rate: check the manifold pressure and orifice size as specified by the rating plate.</li> <li>- Check that the door gasketing is not broken or missing and that the seal is tight.</li> <li>- Check that both vent liners are free of holes and well sealed at all joints.</li> <li>- Check that minimum rise per foot has been adhered to for any horizontal venting.</li> </ul>
White / grey film forms.	Sulphur from fuel is being deposited on glass, logs or combustion chamber surfaces.	<ul style="list-style-type: none"> <li>- Clean the glass with a recommended gas fireplace glass cleaner. <b>DO NOT CLEAN GLASS WHEN HOT.</b></li> <li>- If deposits are not cleaned off regularly, the glass may become permanently marked.</li> </ul>



SYMPTOM	PROBLEM	TEST SOLUTION
Exhaust fumes smelled in room, headaches.	Appliance is spilling.	<ul style="list-style-type: none"> <li>- Check door seal.</li> <li>- Check for exhaust damage.</li> <li>- Check that venting is installed correctly.</li> <li>- Room is in negative pressure; increase fresh air supply.</li> </ul>
Pilot will not light. Makes noise with no spark at pilot burner.	Wiring.	<ul style="list-style-type: none"> <li>- Verify the wire for the sensor and the wire for the ignitor are connected to the correct terminals (not reverse) on the module and pilot assembly.</li> </ul>
	Loose connection.	<ul style="list-style-type: none"> <li>- Verify no loose connections, electrical shorts in the wiring or ground out to any metal object.</li> </ul>
	Igniter Spark gap is incorrect.	<ul style="list-style-type: none"> <li>- Spark gap of the ignitor to the pilot should be .125" (1/8").</li> </ul>
Pilot will not light. Makes no noise with no spark at pilot burner. Crystalites™ and (optional) blower operates.	A shorted or loose connection.	<ul style="list-style-type: none"> <li>- Remove and reinstall the wiring harness that plugs into the module.</li> <li>- Remove and verify continuity of each wire in the wiring harness.</li> </ul>
	Module is not grounded.	<ul style="list-style-type: none"> <li>- Verify the valve and pilot assemblies are properly grounded to the metal chassis of the fireplace.</li> </ul>
	Ignition box has been locked out.	<p>Choose one of the 4 methods below to reset the system.</p> <ol style="list-style-type: none"> <li>1. To reset ignition box when locked out. Turn off power supply and remove batteries (if used) from the back up battery pack.</li> <li>2. To reset the DFC Board when the board goes into a lock out condition and the LED is blinking 3 times using the transmitter ON/OFF button: <ul style="list-style-type: none"> <li><b>Step 1:</b> Turn the system off by pressing the ON/OFF button to turn the system off.</li> <li><b>Step 2:</b> After approximately 2 seconds press the ON/OFF button on the transmitter again. THE DFC Board will reset and the ignition sequence will start again.</li> </ul> </li> <li>3. To reset the DFC Board when the board goes into a lock out condition and the LED is blinking 3 times by cycling flame: <ul style="list-style-type: none"> <li><b>Step 1:</b> In the manual flame control mode, use the down arrow button to reduce the flame to off, indicated by the word OFF displayed on the trasmitter LCD screen.</li> <li><b>Step 2:</b> Wait approximately 2 seconds and press the up arrow button, the ignition sequence will start.</li> </ul> </li> </ol>

**NOTE: Starting from OFF, press the ON button on the transmitter. Approximately 4 seconds after the ON/OFF button is pressed the ignition board will start the spark. The first try for ignition will last approximately 60 seconds. If there is no flame ignition (rectification) the board will stop sparking for approximately 35 seconds. After the wait time the board will start the second try for ignition by sparking for approximately 60 seconds. If there is still no positive ignition, the board will go into lock out.**

SYMPTOM	PROBLEM	TEST SOLUTION
Pilot sparks but will not light.	Gas supply.	<ul style="list-style-type: none"> <li>- Verify that the incoming gas line ball valve is “Open”.</li> <li>- Verify that the inlet pressure reading is within acceptable limits, inlet pressures must not exceed 14” W.C.</li> </ul>
	Module is not grounded.	<ul style="list-style-type: none"> <li>- Verify the value and pilot assemblies are properly grounded to the metal chassis of the fireplace.</li> </ul>
	Out of propane gas.	<ul style="list-style-type: none"> <li>- Fill the tank.</li> </ul>
Continues to spark and pilot lights, but main burner will not light.	Short or loose connection in sensor rod.	Verify all connections. Verify the connections from the pilot assembly are tight; also verify these connections are not grounding out to any metal.
	Poor flame rectification or contaminated sensor rod.	<ul style="list-style-type: none"> <li>- Verify the flame is engulfing the sensor rod. This will increase the flame rectification. Verify correct pilot orifice is installed and inlet gas specifications to manual. (Remember, the flame carries the rectification current, not the gas. If the flame lifts from pilot hood, the circuit is broken. A wrong orifice or too high of an inlet pressure can cause the pilot flame to lift.) The sensor rod may need cleaning.</li> </ul>
	Poor grounding between pilot assembly and gas valve.	<ul style="list-style-type: none"> <li>- Verify that the wire harness is firmly connected to module.</li> </ul>
	Damaged pilot or dirty sensor rod.	<ul style="list-style-type: none"> <li>- Verify that the ceramic insulator around the sensor rod is not cracked, damaged, or loose. Verify the connection from the sensor rod to the sensor wire. Clean sensor rod with an emery cloth to remove any contamination that may have accumulated on the sensor rod. Verify continuity with multimeter with ohms set at the lowest range.</li> </ul>
Appliance won't perform any functions.	Receiver switch is in the wrong position.	<ul style="list-style-type: none"> <li>- Verify that the 3 position switch on the receiver is in the “REMOTE” position (middle).</li> </ul>
	No power to the system.	<ul style="list-style-type: none"> <li>- Check breaker to verify it's in the “ON” position.</li> </ul>
	Transmitter isn't operational.	<ul style="list-style-type: none"> <li>- Check battery power and battery orientation.</li> </ul>
Night light or (optional) blower won't function	Control module switch is in the wrong position.	<ul style="list-style-type: none"> <li>- Verify ON/OFF switch is in the “I” position which denotes on.</li> </ul>
	COM switch is unplugged.	<ul style="list-style-type: none"> <li>- Verify “COM” switch is plugged into the front of the control module.</li> </ul>



## 11.0 WARRANTY

NAPOLEON® products are manufactured under the strict Standard of the world recognized ISO 9001 : 2008 Quality Assurance Certificate.

NAPOLEON® products are designed with superior components and materials assembled by trained craftsmen who take great pride in their work. The burner and valve assembly are leak and test-fired at a quality test station. The complete appliance is again thoroughly inspected by a qualified technician before packaging to ensure that you, the customer, receives the quality product that you expect from NAPOLEON®.

### NAPOLEON® GAS APPLIANCE PRESIDENT'S LIFETIME LIMITED WARRANTY

The following materials and workmanship in your new NAPOLEON® gas appliance are warranted against defects for as long as you own the appliance. This covers: combustion chamber, heat exchanger, stainless steel burner, phazer™ logs and embers, rocks, ceramic glass (thermal breakage only), gold plated parts against tarnishing, porcelainized enameled components and aluminum extrusion trims.\*

Electrical (110V and millivolt) components and wearable parts such as blowers, gas valves, thermal switch, switches, wiring, remote controls, ignitor, gasketing, and pilot assembly are covered and NAPOLEON® will provide replacement parts free of charge during the first year of the limited warranty.\*

Labour related to warranty repair is covered free of charge during the first year. Repair work, however, requires the prior approval of an authorized company official. Labour costs to the account of NAPOLEON® are based on a predetermined rate schedule and any repair work must be done through an authorized NAPOLEON® dealer.

\* Construction of models vary. Warranty applies only to components included with your specific appliance.

### CONDITIONS AND LIMITATIONS

NAPOLEON® warrants its products against manufacturing defects to the original purchaser only. Registering your warranty is not necessary. Simply provide your proof of purchase along with the model and serial number to make a warranty claim. NAPOLEON® reserves the right to have its representative inspect any product or part thereof prior to honouring any warranty claim. Provided that the purchase was made through an authorized NAPOLEON® dealer your appliance is subject to the following conditions and limitations:

Warranty coverage begins on the date of original installation.

This factory warranty is non-transferable and may not be extended whatsoever by any of our representatives.

The gas appliance must be installed by a licensed, authorized service technician or contractor. Installation must be done in accordance with the installation instructions included with the product and all local and national building and fire codes.

This limited warranty does not cover damages caused by misuse, lack of maintenance, accident, alterations, abuse or neglect and parts installed from other manufacturers will nullify this warranty.

This limited warranty further does not cover any scratches, dents, corrosion or discoloring caused by excessive heat, abrasive and chemical cleaners nor chipping on porcelain enamel parts, mechanical breakage of PHAZER™ logs and embers.

This warranty extends to the repair or replacement of warranted parts which are defective in material or workmanship provided that the product has been operated in accordance with the operation instructions and under normal conditions.

After the first year, with respect to this President's Lifetime Limited Warranty, NAPOLEON® may, at its discretion, fully discharge all obligations with respect to this warranty by refunding to the original warranted purchaser the wholesale price of any warranted but defective part(s).

NAPOLEON® will not be responsible for installation, labour or any other expenses related to the reinstallation of a warranted part and such expenses are not covered by this warranty.

Notwithstanding any provisions contained in the President's Lifetime Limited Warranty, NAPOLEON'S responsibility under this warranty is defined as above and it shall not in any event extend to any incidental, consequential or indirect damages.

This warranty defines the obligations and liability of NAPOLEON® with respect to the NAPOLEON® gas appliance and any other warranties expressed or implied with respect to this product, its components or accessories are excluded.

NAPOLEON® neither assumes, nor authorizes any third party to assume, on its behalf, any other liabilities with respect to the sale of this product.

NAPOLEON® will not be responsible for: over-firing, downdrafts, spillage caused by environmental conditions such as rooftops, buildings, nearby trees, hills, mountains, inadequate vents or ventilation, excessive venting configurations, insufficient makeup air, or negative air pressures which may or may not be caused by mechanical systems such as exhaust fans, furnaces, clothes dryers, etc.

Any damages to the appliance, combustion chamber, heat exchanger, plated trim or other components due to water, weather damage, long periods of dampness, condensation, damaging chemicals or cleaners will not be the responsibility of NAPOLEON®.

All parts replaced under the President's Limited Lifetime Warranty Policy are subject to a single claim.

During the first 10 years NAPOLEON® will replace or repair the defective parts covered by the lifetime warranty at our discretion free of charge. From 10 years to life, NAPOLEON® will provide replacement parts at 50% of the current retail price.

All parts replaced under the warranty will be covered for a period of 90 days from the date of their installation.

The manufacturer may require that defective parts or products be returned or that digital pictures be provided to support the claim. Returned products are to be shipped prepaid to the manufacturer for investigation. If a product is found to be defective, the manufacturer will repair or replace such defect.

Before shipping your appliance or defective components, your dealer must obtain an authorization number. Any merchandise shipped without authorization will be refused and returned to sender.

Shipping costs are not covered under this warranty.

Additional service fees may apply if you are seeking warranty service from a dealer.

Warranty labour allowance is only for the replacement of the warranted part. Travel, diagnostic tests, shipping and other related charges are not covered by this warranty.

ALL SPECIFICATIONS AND DESIGNS ARE SUBJECT TO CHANGE WITHOUT PRIOR NOTICE DUE TO ON-GOING PRODUCT IMPROVEMENTS. NAPOLEON® IS A REGISTERED TRADEMARK OF WOLF STEEL LTD.







Other products available from your  
Authorized Napoleon® Fireplace Dealer...



Patio Heaters



Fireplace Mantels



HVAC Products



Electric Fireplaces



Outdoor Living Products



Fireplace Accessories

Contact your Authorized Napoleon® dealer or visit [napoleonfireplaces.com](http://napoleonfireplaces.com) for more information.

Pour de plus amples renseignements, contactez votre détaillant Napoleón® autorisé ou visitez le [napoleonfoyers.com](http://napoleonfoyers.com).

Foyers électriques



Produits de divertissement extérieurs



Accessoires de foyer



Chauffe-patios



Manteaux de foyer



Produits HVAC



FOYERS DE QUALITÉ

Autres produits offerts chez votre détaillant de foyers Napoleón® autorisé...





Les produits Napoleon® sont fabriqués conformément aux normes strictes du Certificat d'Assurance de la

Qualité mondialment reconnue ISO 9001 : 2008.

Les produits Napoleon® sont conçus avec des matériaux de qualité supérieure, assemblés par des artisans qualifiés qui sont fiers de leur travail. Le brûleur et le montage de la soupape subissent un test de détection de fuite et d'allumage à une station de test de qualité. Une fois assemblée, chaque appareil est soigneusement inspecté par un technicien qualifié avant d'être emballé pour garantir que vous, le client, recevez le produit de qualité dont vous attendez de Napoleon®.

### GARANTIE À VIE LIMITEE DU PRESIDENT DES APPAREILS AU GAZ NAPOLÉON®

Les matériaux suivants et la fabrication de votre nouveau appareil au gaz Napoleon® sont garantis contre les défauts tant que vous en êtes le propriétaire. Ceci couvre : la chambre de combustion, l'échangeur de chaleur, le brûleur en acier inoxydable, les bûches PHAZER® et les braises, les roches, la vitre en céramique (cassure thermique seulement), les pièces plaquées or contre le ternissement, les composants en porcelaine émaillée et les mouleurs d'extrusion en aluminium.\*

Les composants électriques (110V et millivoit) et les pièces soumises à l'usure tels que les soufflantes, les soupapes de gaz, l'interrupteur thermique, les interrupteurs, l'installation électrique, les télécommandes, l'allumeur, les joints d'étanchéité et l'assemblage de la veilleuse sont couverts et NAPOLÉON® fournira gratuitement les pièces de rechange durant la première année de la garantie limitée.\*

Les coûts de main-d'œuvre relatifs aux réparations garanties sont couverts gratuitement durant la première année. Cependant, les travaux de réparation nécessitent l'approbation préalable d'un représentant autorisé de la compagnie. Les coûts de main-d'œuvre à la charge de Napoleon® sont basés sur un programme de tarifs prédéterminé et tout travail de réparation doit être accompli par l'entremise d'un représentant autorisé Napoleon®.

\* La fabrication de chaque modèle varie. La garantie s'applique uniquement aux composants disponibles avec votre appareil.

### CONDITIONS ET LIMITATIONS

NAPOLÉON® garantit ses produits contre les défauts de fabrication d'origine seulement. L'entièrement de la garantie n'est pas nécessaire. Fournissez simplement une preuve d'achat ainsi que le modèle et le numéro de série afin d'effectuer une réclamation de garantie. Napoleon® se réserve le droit de demander à son représentant d'inspecter tous produits ou pièces avant d'honorer toute réclamation. L'achat doit avoir été fait par l'entremise d'un détaillant NAPOLÉON® autorisé et sous réserve des conditions et limitations suivantes :

La couverture de la garantie débute à partir de la date d'installation originale. Cette garantie du fabricant n'est pas transférable et ne peut être prolongée ou étendue par aucun de nos représentants quelle qu'en soit la raison. L'appareil au gaz doit être installé par un installateur ou entrepreneur qualifié. L'installation doit être faite conformément aux instructions d'installation incluses avec le produit et à tous les codes d'incendie et de construction locaux et nationaux.

Cette garantie limitée ne couvre pas les dommages causés par un mauvais usage, un manque d'entretien, un accident, des altérations, des abus ou de la négligence et l'installation de pièces d'autres fabricants annule cette garantie.

Cette garantie limitée ne couvre pas non plus les égratignures, les bossellements, la corrosion ou la décoloration causés par une chaleur excessive, des produits d'entretien chimiques et abrasifs ou l'écaillage des pièces en porcelaine émaillée, le bris par manipulation des bûches PHAZER® et des braises. NAPOLÉON® garantit à vie ses brûleurs en acier inoxydable contre les défauts de fabrication et de matériau sous réserve des conditions suivantes :

durant les dix premières années, NAPOLÉON® remplacera ou réparera selon notre option les pièces défectueuses gratuitement. Après les dix premières années, NAPOLÉON® fournira les brûleurs de rechange à 50 % du prix de détail courant.

Au cours de la première année seulement, cette garantie s'applique à la réparation ou au remplacement des pièces garanties dont les matériaux ou la fabrication sont défectueux à la condition que le produit ait été utilisé conformément aux instructions de fonctionnement et dans des conditions normales. Après la première année, concernant cette Garantie à Vie Limitée du Président, NAPOLÉON® peut, à sa discrétion, se libérer entièrement de toutes obligations en ce qui concerne cette garantie en remboursant à l'acheteur d'origine le prix de gros de toute pièce garantie qui est défectueuse.

NAPOLÉON® ne sera pas responsable de l'installation, de la main-d'œuvre ou autres dépenses relatives à la réinstallation d'une pièce garantie et de telles dépenses ne sont pas couvertes par cette garantie. Nonobstant toutes les dispositions contenues dans cette Garantie à Vie Limitée du Président, la responsabilité de NAPOLÉON® sous cette garantie est définie comme ci-dessus et elle ne s'appliquera à aucun dommage accidentel, consécutif ou indirect.

Cette garantie définit l'obligation et la responsabilité de NAPOLÉON® en ce qui concerne l'appareil au gaz Napoleon®. Toute autre garantie énoncée ou implicite en ce qui concerne ce produit, ses composants ou accessoires est exclue.

NAPOLÉON® n'endosse ni n'autorise aucun tiers à assumer en son nom, toute autre responsabilité concernant la vente de ce produit. NAPOLÉON® ne sera pas responsable d'une surchauffe, des refoulements, des déclassements causés par des conditions environnementales telles que des toits, des bâtiments, la proximité d'arbres, de collines, de montagnes, de montages, de ventilations ou des événements inadéquats, une configuration d'évacuation excessive, un apport d'air insuffisant ou des pressions négatives qui peuvent ou non être causés par des systèmes mécaniques tels que les ventilateurs d'évacuation, les fournaises, les sècheuses de linge, etc.

Tout dommage causé à l'appareil, à la chambre de combustion, à l'échangeur de chaleur, aux garnitures plaquées ou autres composants par l'eau, les dommages causés par les intempéries, de longues périodes d'humidité, la condensation, des produits chimiques ou produits d'entretien nuisibles ne seront pas la responsabilité de NAPOLÉON®.

Toutes les pièces remplacées en vertu de la politique de Garantie à Vie Limitée du Président ne peuvent faire l'objet d'une seule réclamation. Durant les dix premières années, NAPOLÉON® remplacera ou réparera les pièces défectueuses qui sont couvertes par la garantie à vie limitée à sa discrétion gratuitement. Après les dix premières années, NAPOLÉON® fournira les pièces de rechange à 50 % du prix de détail courant.

Toutes les pièces défectueuses au titre de la garantie seront couvertes pour une période de 90 jours à partir de leur date d'installation. Le fabricant peut exiger que les pièces défectueuses ou les produits soient retournés ou que des photos numériques soient fournies pour valider la réclamation. Les produits retournés doivent être expédiés port payé au fabricant pour une inspection en usine. Si un produit est déclaré défectueux, le fabricant le réparera ou le remplacera.

Avant d'expédier votre appareil ou les pièces défectueuses, votre détaillant doit obtenir un numéro d'autorisation. Toute marchandise expédiée à notre usine sans autorisation sera refusée et retournée à l'expéditeur. Les coûts d'expédition ne sont pas couverts par cette garantie.

Des frais de service supplémentaires peuvent être appliqués si vous cherchez à obtenir des services au titre de la garantie auprès d'un détaillant. Les indemnités de main-d'œuvre au titre de la garantie s'appliquent uniquement pour le remplacement d'une pièce garantie. Les frais de déplacement, de tests de diagnostic, d'expédition et autres frais afférents ne sont pas couverts par cette garantie.

TOUTES LES SPÉCIFICATIONS ET LES CONCEPTIONS SONT SUJETTES À MODIFICATIONS SANS PRÉAVIS EN RAISON DES AMÉLIORATIONS CONSTANTES APPORTÉES AUX PRODUITS. NAPOLÉON® EST UNE MARQUE DE COMMERCE DÉPOSÉE DE WOLF STEEL LTÉE.



SYMPTÔME	PROBLÈME	SOLUTIONS
Étincelle à la veilleuse mais celle-ci ne s'allume pas.	Alimentation en gaz.	Vérifiez si la soupape à bille de la conduite d'arrivée du gaz est « Ouverte ». Vérifiez si la pression d'arrivée est dans les limites acceptables. La pression d'arrivée ne doit pas excéder 14" de colonne d'eau.
Le module n'est pas mis à la terre.	-	Vérifiez si les assemblages de la veilleuse et de la soupape sont bien mis à la terre au niveau du châssis métallique du foyer.
Plus de propane.	-	Remplissez le réservoir.
Continue de produire des étincelles et la veilleuse s'allume mais le brûleur principal ne s'allume pas.	Mauvais redressement du courant de la flamme ou tige de sonde contaminée.	Vérifiez si la flamme enveloppe la tige de la sonde. Ceci augmentera le redressement du courant de la flamme. Vérifiez si le bon injecteur de veilleuse est installé et que l'alimentation en gaz est conforme aux spécifications du manuel. (Souvenez-vous que la flamme transporte le courant redresseur et non le gaz. Si la flamme se détache de la hotte, le circuit est rompu. Un mauvais injecteur ou une pression d'arrivée trop élevée peut causer la flamme de la veilleuse à se détacher.) La tige de la sonde a possiblement besoin d'être nettoyée.
Mauvaise mise à la terre entre l'assemblage de la veilleuse et la soupape de gaz.	-	Vérifiez si le harnais de fils est solidement branché au module.
Veilleuse endommagée ou tige de sonde sale.	-	Vérifiez si l'isolateur de céramique autour de la sonde est craqué, endommagé ou desserré. Vérifiez la connexion de la tige de la sonde au fil de la sonde. Nettoyez la tige de la sonde avec une toile d'éméri afin d'enlever toute contamination qui ait pu s'accumuler sur la tige de la sonde. Vérifiez la continuité avec un multimètre réglé sur Ohms au calibre le plus bas.
L'appareil n'effectue aucune fonction.	L'interrupteur du récepteur est à la mauvaise position.	Vérifiez que l'interrupteur du récepteur est en position « REMOTE » (milieu).
	Pas de puissance au système.	Vérifiez que le disjoncteur est en position « ON ».
	La télécommande ne fonctionne pas.	Vérifiez les piles ainsi que leur orientation.
	L'interrupteur du module de contrôle est à la mauvaise position.	Vérifiez que l'interrupteur « ON/OFF » est en position « I », ce qui indique le fonctionnement.
	L'interrupteur « COM » est débranché.	Vérifiez que l'interrupteur « COM » est branché à l'avant du module de contrôle.

SYMPTÔME	PROBLÈME	SOLUTIONS
On détecte l'odeur des gaz de combustion dans la pièce; mauvais de tête.	L'appareil refouille les gaz de combustion dans la pièce.	Vérifiez tous les joints scellés de la porte. Vérifiez si la cheminée ne serait pas bloquée. Vérifiez que les conduits d'évents sont installés correctement. La pièce est sous pression négative; augmentez l'apport d'air frais.
La veilleuse ne s'allume pas. Il y a du bruit mais aucune étincelle au brûleur de la veilleuse.	Filage. Connexion desserrée.	Vérifiez the wire for the sensor and the wire for the ignitor are connected to the correct terminals (not reverse) on the module and pilot assembly. Vérifiez no loose connections, electrical shorts in the wiring or ground out to any metal object.
La veilleuse ne s'allume pas. Aucun bruit et aucune étincelle au brûleur de la veilleuse. Les lumières Crystallites/MC et la soufflerie fonctionnent.	La longueur de l'étincelle est incorrecte. Une connexion desserrée ou causant un court-circuit.	Retirez et réinstallez le hamais de fils qui se branche dans le module. Retirez et vérifiez la continuité de chaque fil dans le hamais de fils.
Le module n'est pas mis à la terre.	Le module n'est pas mis à la terre.	Vérifiez si les assemblages de la veilleuse et de la soupape sont bien mis à la terre au niveau du châssis du foyer.
La boîte d'allumage a été verrouillée.	Choisissez l'une des quatre méthodes suivantes pour réinitialiser le système.	
1. Pour réinitialiser la boîte d'allumage lorsqu'elle a été verrouillée, coupez l'alimentation électrique et retirez les piles (s'il y a lieu) du récepteur.	1. Éteignez le système en appuyant sur le bouton MARCHE/ARRÊT.	
2. Pour réinitialiser le tableau DFC lorsque celui-ci se trouve en mode verrouillé et que la DEL clignote trois fois à l'aide du bouton MARCHE/ARRÊT de la nouvelle commande. Le tableau DFC se réinitialisera et la séquence d'allumage s'enclenchera de nouveau.	Étape 1 : Après environ 2 secondes, appuyez de nouveau sur le bouton MARCHE/ARRÊT de la nouvelle commande. Le tableau DFC se réinitialisera et la séquence d'allumage s'enclenchera de nouveau.	
3. Pour réinitialiser le tableau DFC lorsque celui-ci se trouve en mode verrouillé et que la DEL clignote trois fois à l'aide du cycle de flamme :	Étape 1 : En mode de contrôle manuel de la flamme, utilisez la flèche vers le bas pour éteindre la flamme, une situation indiquée par le mot « OFF » affiché à l'écran de la télécommande. Étape 2 : Attendez environ 2 secondes et appuyez sur la flèche vers le haut; la séquence d'allumage se déclenchera.	
NOTE: En position « OFF », appuyez sur le bouton « ON » de la télécommande. Environ 4 secondes après que le bouton « ON/OFF » ait été enfoncé, le tableau d'allumage commencera à produire des étincelles. Au premier essai, le tableau d'allumage formera des étincelles pendant 60 secondes. S'il n'y a pas de correction de flamme, le tableau cessera de former des étincelles pendant environ 35 secondes. Après le temps d'attente, le tableau démarra le deuxième essai d'allumage en produisant des étincelles pendant environ 60 secondes. S'il n'y a toujours pas d'allumage, le tableau se verrouillera.		

SYMPTÔME	PROBLÈME	SOLUTIONS
ALLUMEZ TOUJOURS LA VEILLEUSE, QUE CE SOIT POUR LA PREMIÈRE FOIS OU LORSQU' L'APPROVISIONNEMENT EN GAZ EST ÉPUISÉ, AVEC LA PORTE VITRÉE OUVERTE OU RETIRÉE. COUPEZ L'ALIMENTATION EN GAZ ET L'ALIMENTATION ÉLECTRIQUE AVANT DE PROCÉDER À L'ENTRETIEN DE L'APPAREIL.	L'APPAREIL PEUT ÊTRE CHAUD. N'EFFECTUEZ AUCUN ENTRETIEN JUSQU'À CE QUE L'APPAREIL SOIT REFRIGÉRI.	N'UTILISEZ PAS DE NETTOYANTS ABRASIFS.

La télécommande contrôle les lumières Crystallite / lumière de veille, mais il n'y a aucune étincelle ou flamme.

- Le récepteur est verrouillé.

Réinitialisez en fermant et en ouvrant l'alimentation.

**NOTE :** Si des piles de secours sont installées, elles doivent aussi être retirées afin de réinitialiser.

La flamme du système d'évacuation bloqué.

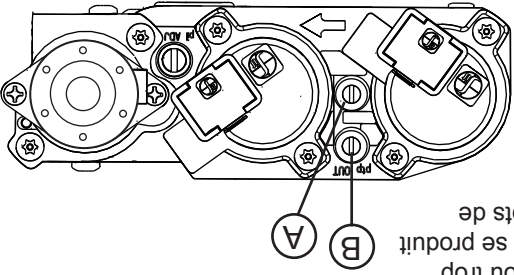
brûleur principal est bleu, paresseuse et transparente.

- Enlevez ce qui obstrue. Dans des conditions de froid extrême, une accumulation de glace peut se former sur la terminaison et devrait être enlevée lorsque nécessaire. Pour minimiser les chances que cela survienne de nouveau, il est recommandé que les événements qui passent à travers des espaces non chauffés (greniers, garages, espaces réduits) soient recouverts d'un manchon isolant en mylar. Assurez-vous que le manchon ne puisse pas s'affaisser. Pour plus de renseignements, contactez votre détaillant local autorisé.

- Voir la section « ÉVACUATION » pour vérifier le bon emplacement des collets de solin.

Les flammes sont régulièrement trop grandes ou trop petites. Il se produit des dépôts de carbone.

- La pression du gaz est trop faible ou trop forte.



**Vérifiez la pression :** Pour vérifier la pression d'amplifiée, tournez 2 ou 3 fois la vis (A) vers la gauche, puis embotez le tube du manomètre sur la pointe d'essai. Le manomètre doit indiquer 7" (minimum 4,5"), de colonne d'eau pour le gaz naturel ou 13" (minimum 11") de colonne d'eau pour le propane. Assurez-vous que le brûleur principal fonctionne à « HI ». La pression de sortie peut être vérifiée de la même façon en utilisant la vis (B). Le manomètre doit indiquer 3,5" de colonne d'eau pour le gaz naturel ou 10" de colonne d'eau pour le propane. Assurez-vous que le brûleur principal fonctionne à « HI ». **APRÈS AVOIR PRIS LA LECTURE DES PRESSIONS, ASSUREZ-VOUS DE TOURNER FERMEMENT LES VIS VERS LA DROITE POUR SCELLER. NE SERREZ PAS TROP FORT.** Vérifiez pour des fuites en appliquant une solution d'eau savonneuse.

Du carbone se dépose sur la vitre, les bûches, les roches, les composants décoratifs ou les parois de la chambre de combustion.

- Le volet d'air est bloqué.

Assurez-vous que l'ouverture du volet d'air n'est pas bloquée par des fibres ou autres obstructions.

La flamme effleure la vitre, les bûches, les roches, les composants décoratifs ou les parois de la chambre de combustion.

- Vérifiez si la vitre, les bûches, les roches et les composants décoratifs sont positionnés correctement.

- Augmentez l'ouverture du volet d'air pour augmenter le volume d'air primaire.

- Vérifiez le débit d'alimentation : vérifiez que la pression du collecteur et la grandeur de l'injecteur soient telles que spécifiées sur la plaque d'homologation.

- Vérifiez si les joints de la porte ne sont pas brisés ni manquants et qu'ils sont étanches.

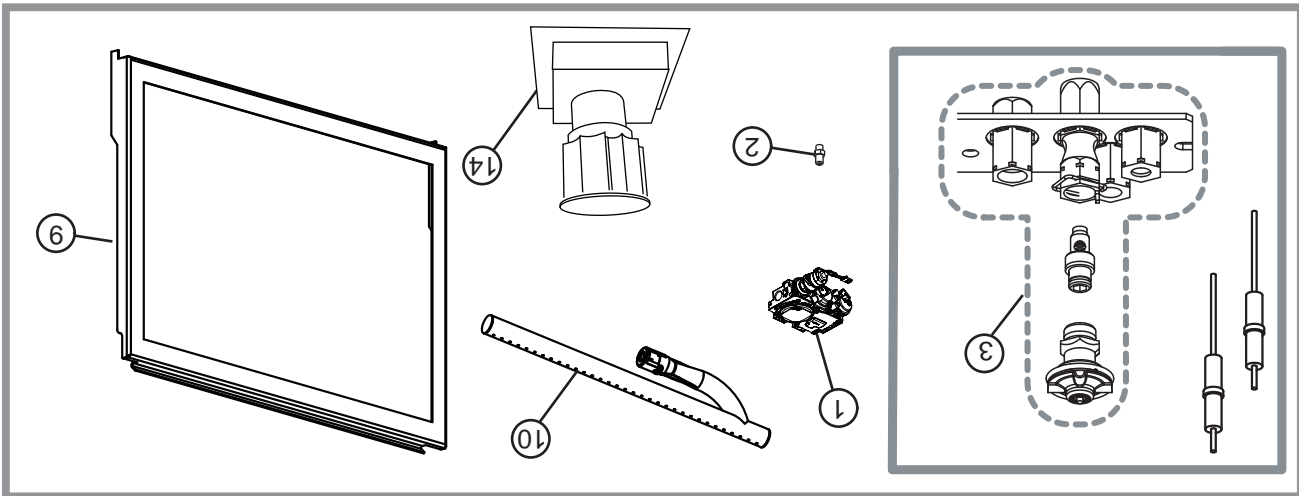
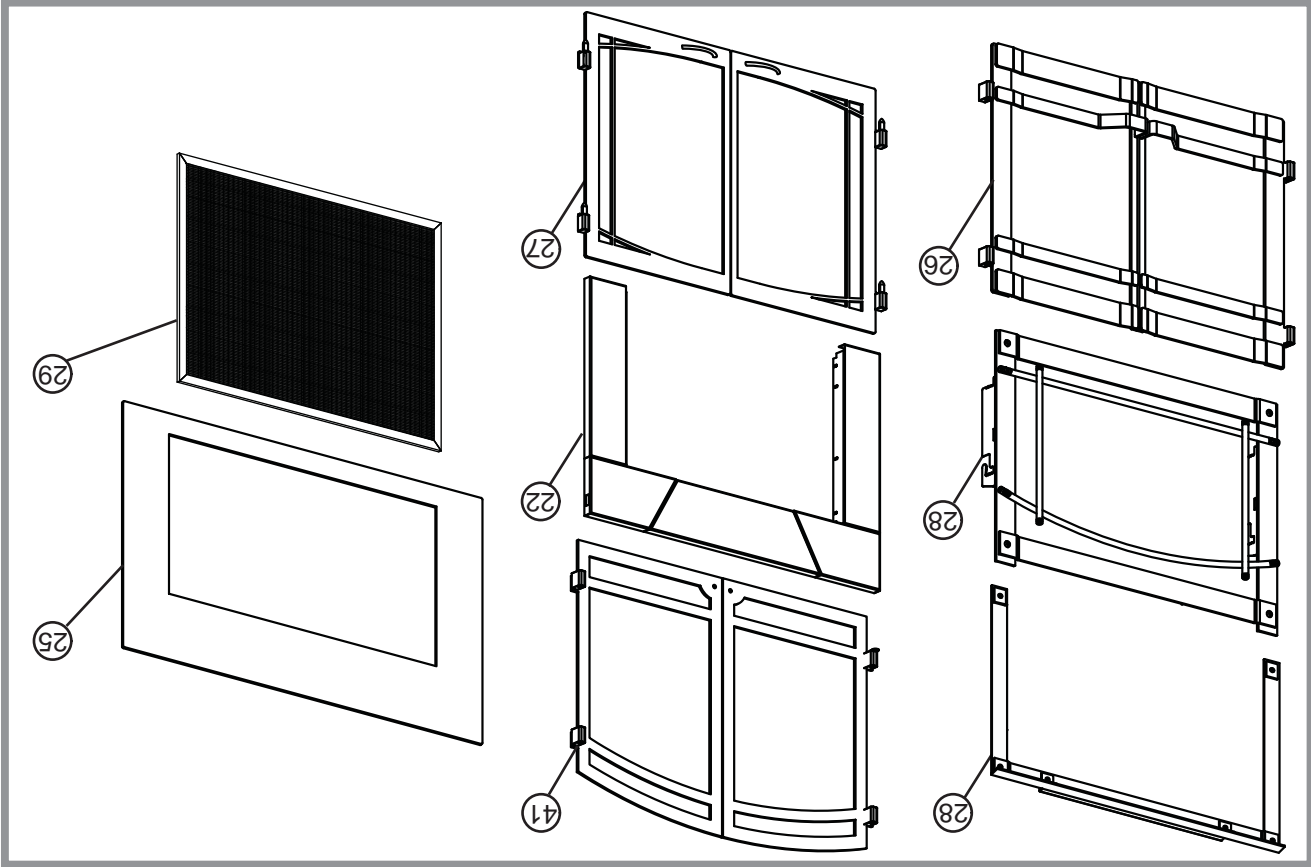
- Vérifiez que les deux conduits d'évent ne soient pas troués et qu'ils soient bien scellés à tous les joints.

- Vérifiez si l'élévation minimale par pied est conforme pour toute évacuation horizontale.

Une pellicule blanche ou grise se dépose sur la vitre, les bûches ou les parois de la chambre de combustion.

- Le souffre du combustible se dépose sur la vitre, les bûches ou les parois de la chambre de combustion.

- Nettoyez la vitre avec un nettoyeur recommandé. **NE PAS NETTOYER LORSQU'ELLE EST CHAUDE.** Si vous ne nettoyez pas les dépôts régulièrement, la vitre risque de rester marquée en permanence.



REF NO.	PART NO.	DESCRIPTION
16*	GI-RB	BASE D'ÉLÉVATION - PEINTE NOIRE
17*	W175-0343	ENSEMBLE DE CONVERSION - PL-GN
17*	W175-0342	ENSEMBLE DE CONVERSION - GN-PL
18*	W660-0081	THERMOSTAT MURAL NUMÉRIQUE
19*	W660-0026	MINUTERIE PROGRAMMABLE À PILES
22	I3S6	FAÇADE DE 5 PIÈCES - NOIR MAT < 25.5H X 37.5W
22	I3S9	FAÇADE DE 5 PIÈCES - NOIR MAT < 30H X 48W
23	I3DS6	FAÇADE DE LUXE DE 1 PIÈCE 25.5H X 37.5W - NOIR MAT
23	I3DS9	FAÇADE DE LUXE DE 1 PIÈCE 30H X 48W - NOIR MAT
24	C13S	CONTOUR EN FONTE - NOIR MAT > 29H X 46W
25	I3CRFK	FAÇADE TEMPORAIRE RECTANGULAIRE - NOIR LUSTRÉ
25	I3CRFHC	FAÇADE TEMPORAIRE RECTANGULAIRE - CUIVRE MARTELÉ
25	I3CRFSS	FAÇADE TEMPORAIRE RECTANGULAIRE - PLAQUE CHROME SATINÉ
26	I3DW	PORTES EN FONTE AVEC PARE-ÉTINCELLES - NOIR
27	I3DZMK	PORTES TEMPORAIRES ZEN - NOIR
27	I3DZWI	PORTES TEMPORAIRES ZEN - FER FORGE
27	I3DZHC	PORTES TEMPORAIRES ZEN - CUIVRE MARTELÉ
28	I3DPS	PORTE EN FER FORGÉ MARTELÉ
28	I3FS6	CADRE DE PORTE EN FER FORGÉ MARTELÉ (POUR I3DS6)
28	I3FS9	CADRE DE PORTE EN FER FORGÉ MARTELÉ (POUR I3DS9)
29	I3SS	PARE-ÉTINCELLES
30	I3BK	SOUFFLERIE (CONTRÔLÉE PAR TÉLÉCOMMANDE)

## ACCESSOIRES

## 9.0 RECHANGES

Contactez votre détaillant ou le fabricant pour les questions concernant les prix et la disponibilité des pièces de rechange. Normalement, toutes les pièces peuvent être commandées chez votre détaillant autorisé. **POUR UN REMPLACEMENT DE PIÈCE SOUS GARANTIE, UNE PHOTOCOPIE DE LA FACTURE ORIGINALE SERA REQUISE AFIN DE POUVOIR HONORER LA DEMANDE.**

Lorsque vous commandez des pièces, donnez toujours l'information suivante :

- Modèle et numéro de série de l'appareil
- Date d'installation de l'appareil
- Numéro de la pièce
- Description de la pièce
- Fin!

\* IDENTIFIÉ LES ARTICLES QUI NE SONT PAS ILLUSTRÉS. POUR PLUS D'INFORMATION, CONTACTEZ VOTRE DÉTAILLANT AUTORISÉ.

**OMETTRE DE POSITIONNER LES PIÈCES CONFORMÉMENT AU MANUEL OU D'UTILISER UNIQUEMENT DES PIÈCES SPÉCIFIQUEMENT APPROUVÉES POUR CET APPAREIL PEUT CAUSER DES DOMMAGES MATÉRIELS OU DES BLESSURES CORPORELLES.**

**AVERTISSEMENT**

41.1

N° RÉF.	PART NO	DESCRIPTION
1	W725-0056	SOUPIPE - GAZ NATUREL
1	W725-0057	SOUPIPE - PROPANE
2	W456-0042	INJECTEUR DE BRÛLEUR - GN
2	W456-0053	INJECTEUR DE BRÛLEUR - PL
3	W010-1865	ASSEMBLAGE DE VEILLEUSE - GN
3	W010-1866	ASSEMBLAGE DE VEILLEUSE - PL
4*	W455-0070	INJECTEUR DE VEILLEUSE - GN
5*	W455-0068	INJECTEUR DE VEILLEUSE - PL
6*	W385-0334	LOGO NAPOLÉON
7*	W562-0008	JOINT D'ÉTANCHÉITÉ DE VITRE
8*	W010-2701	VITRE AVEC JOINT D'ÉTANCHÉITÉ
9	W010-2702	ASSEMBLAGE DE PORTE, VITRE & JOINT D'ÉTANCHÉITÉ
10	W010-2705	ASSEMBLAGE DE BRÛLEUR TUBULAIRE
11*	W190-0029	PANNEAU IPI
12*	W707-0010	TRANSFORMATEUR DE LA LUMIÈRE DE VEILLE
13*	W290-0080	JOINT D'ÉTANCHÉITÉ DE LA LUMIÈRE DE VEILLE
21*	W387-0006	AMPOULE DE LA LUMIÈRE DE VEILLE
31*	W300-0086	LENTILLE DE LA LUMIÈRE DE VEILLE
32*	W300-0135	VERRE TOPAZE

### ENSEMBLES DE TERMINAISON

N° RÉF.	N° DE PIÈCE	DESCRIPTION
14	GDI-226	TERMINAISON

### ENSEMBLES D'ÉVENTS

N° RÉF.	N° DE PIÈCE	DESCRIPTION
15*	GDI-320KT	ENSEMBLE D'ÉVENTS 20 PI
15*	GDI-325KT	ENSEMBLE D'ÉVENTS 25 PI
15*	GDI-335KT	ENSEMBLE D'ÉVENTS 35 PI
		2-3" DOUBLE PLY ALUMINUM LINER-INLET AND EXHAUST

## 8.6 REMPLACEMENT DE LA LUMIÈRE DE VEILLE

Votre appareil est muni d'une lumière de veille. La lumière de veille est précâblée et est contrôlée par la télécommande

Si vous devez remplacer l'ampoule ou la lentille, suivez les instructions suivantes.

- A.** Débranchez le module de la soufflerie de la boîte de dérivation situé derrière le panneau d'accès gauche.

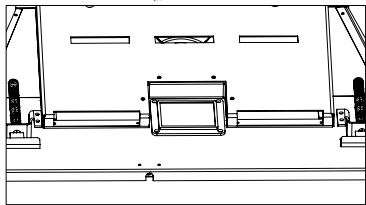
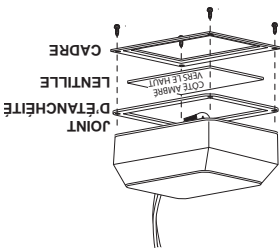
- B.** Retirez les quatre vis qui retiennent le cadre de la lentille. Ce cadre retient la lentille de verre. Vous pouvez maintenant accéder à l'ampoule.

**NOTE: Ne manipulez pas l'ampoule à main nue; protégez-la avec un linge propre et sec.**

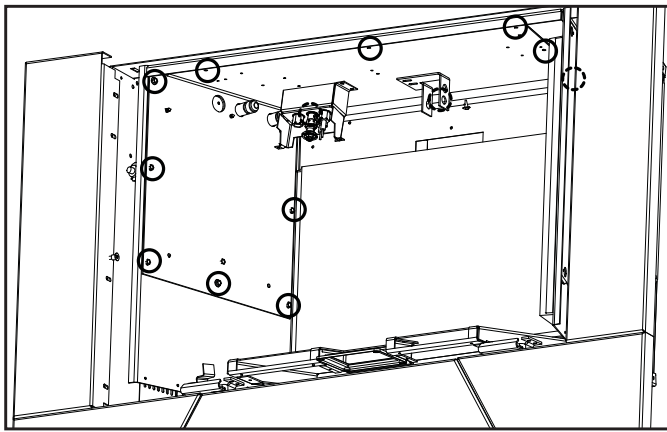
L'ampoule s'enlève en la tirant hors de la douille. Remplacez par des pièces Wolf Steel uniquement, car l'ampoule et la lentille sont des produits spécialement conçus pour les hautes températures. Lors de la réinstallation, vérifiez l'intégrité du joint d'étanchéité.

**LA CHAMBRE DE COMBUSTION DOIT ÊTRE SCÉLÉE.**

Le serrage excessif des vis risque de briser la lentille. Il est possible que des « fuites de lumière » soient visibles au niveau de la zone supérieure. Les trous dans le boîtier de la lumière sont nécessaires à la ventilation et ne doivent pas être couverts.



## 8.7 REMPLACEMENT DE L'ASSEMBLAGE DE LA SOUPE



- A.** Retirez la porte vitrée. Voir la section « ENLÈVEMENT ET INSTALLATION DE LA PORTE ». Retirez les brûleurs, voir la section « ENLÈVEMENT DU BRÛLEUR ».

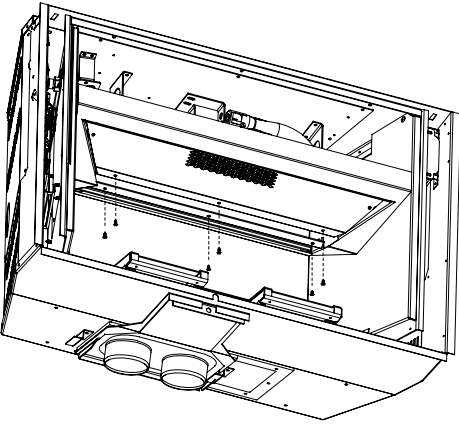
- B.** Retirez les 14 vis servant à fixer l'assemblage de la soupape.

**NOTE: Il est possible qu'un nouveau joint d'étanchéité soit nécessaire lors de la réinstallation de l'assemblage de la soupape. Contactez votre détaillant local autorisé.**

- C.** Soulevez l'assemblage de la soupape avec soin, suffisamment loin pour accéder à la soupape d'arrêt manuelle puis tournez-la à « OFF ». Débranchez le raccord flexible de la soupape. Vous pouvez maintenant retirer l'assemblage de la soupape de l'appareil.

8.4 L'INSTALLATION DU PLATEAU BRAISES VITRIÉES

À l'aide de 6 vis (W570-0001), fixez le plateau à braises vitriées au brûleur.



Avant de retirer le plateau à braises vitriées, assurez-vous que les braises sont éloignées du centre du grillage, dégageant ainsi le brûleur, puis enlevez les vis et retirez le plateau en le soulevant.  
Lors du remplacement du brûleur, il ne doit pas y avoir de braises vitriées dans l'espace entourant l'injecteur. **CONSEIL : ISI** des braises vitriées se retrouvent dans l'espace entourant l'injecteur, mettez un nouveau sac dans un aspirateur et aspirez les braises. Des braises vitriées de recharge peuvent être commandées auprès de votre détaillant Wolf Steel.

8.5 REMPLACEMENT DU MODULE SOUFFLEUR

**! WARNING**

**COUPEZ L'ALIMENTATION EN GAZ ET L'ALIMENTATION ÉLECTRIQUE AVANT DE PROCÉDER À L'ENTRÉEN DE L'APPAREIL.**

**L'APPAREIL PEUT ÊTRE CHAUD. ATTENDEZ QU'IL SOIT REFRIGÉRI AVANT D'EN FAIRE L'ENTRÉEN.**

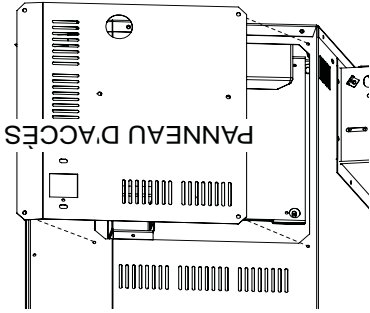
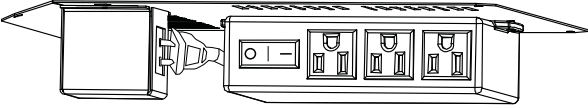
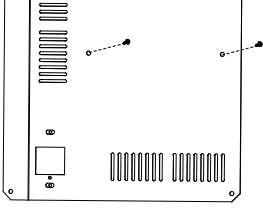
A. Pour accéder au Module de la Soufflerie, vous devez d'abord sortir l'appareil afin d'allouer suffisamment d'espace pour accéder au panneau d'accès gauche.

B. Enlevez les vis servant à fixer le panneau d'accès.

C. Débranchez le Module de la Soufflerie de la boîte de dérivation. Débranchez la fiche de la lumière de veille et la fiche de la soufflerie (s'il y a lieu) du Module de la Soufflerie.

**NOTE : Assurez-vous que l'interrupteur MARCHÉ/ARRÊT soit à « ON » (-).**

D. Retirez les 2 vis qui servent à fixer le Module de la Soufflerie au panneau d'accès puis remplacez.  
E. Réinstallez les fiches et le panneau d'accès.





Si l'appareil est muni de pièces plaquées, vous devez enlever toutes traces de doigts ou autres marques des surfaces plaquées avant d'allumer l'appareil pour la première fois. Utilisez un nettoyeur à vitres ou du vinaigre et un linge pour nettoyer. Si la surface plaquée n'est pas bien nettoyée avant le premier allumage de l'appareil, elle risque de rester marquée en permanence. Une fois que la surface plaquée aura chauffé, les traces de doigts et le gras n'attacheront plus la surface et très peu d'entretien sera requis; vous n'aurez qu'à l'essuyer au besoin. Une combustion prolongée à haute température avec la porte ouverte peut causer une décoloration des pièces plaquées.

**NOTE:** L'emballage de protection sur les pièces plaquées s'enlève mieux lorsque l'assemblage est à température ambiante ou lorsqu'il est chauffé avec un séchoir à cheveux ou une autre source de chaleur similaire.

6.1

8.3 REMPLACEMENT DE LA VITRE DE PORTE

**AVERTISSEMENT**

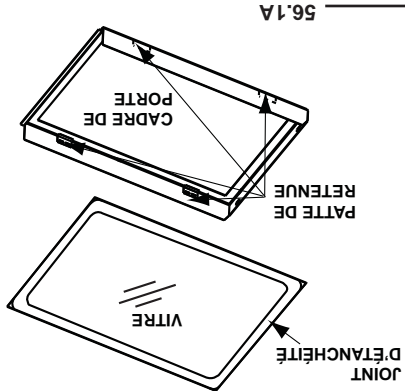
N'UTILISEZ PAS DE MATÉRIAUX DE SUBSTITUTION.

LA VITRE PEUT ÊTRE CHAUDE, NE TOUCHEZ PAS LA VITRE JUSQU'À CE QU'ELLE AIT REFROIDI.

USEZ DE PRUDENCE LORSQUE VOUS ENLEVEZ ET JETEZ DES DÉBRIS DE VÉRRE OU DES COMPOSANTS ENDOMMAGÉS. ASSUREZ-VOUS D'ASPIRER TOUTS LES DÉBRIS DE VÉRRE À L'INTÉRIEUR DE L'APPAREIL AVANT DE LE FAIRE FONCTIONNER.

NE FRAPPEZ PAS, NE CLAUQUEZ PAS ET N'ÉGRATIGNEZ PAS LA PORTE VITRÉE. NE FAITES PAS FONCTIONNER L'APPAREIL LORSQUE LA PORTE VITRÉE EST ENLEVÉE, FISSURÉE, BRISÉE OU ÉGRATIGNÉE.

- A. Placez le cadre de la porte avec la devanture vers le bas en prenant soin de ne pas égratigner la peinture.
- B. Centrez la vitre avec joint d'étanchéité dans le cadre avec le côté épais du joint d'étanchéité orienté vers le haut.
- C. Pliez les pattes de retenue situées sur le cadre par-dessus le joint d'étanchéité pour retenir la vitre en place. Faites attention à ne pas casser la vitre.



**NOTE:** Utilisez de prudence lorsque vous enlevez et jetez des débris de verre ou des composants endommagés. Assurez-vous d'aspirer tous les débris de verre à l'intérieur de l'appareil avant de le faire fonctionner.

**AVERTISSEMENT**  **COUPEZ L'ALIMENTATION EN GAZ ET L'ALIMENTATION ÉLECTRIQUE AVANT DE PROCÉDER À L'ENTRETIEN DE L'APPAREIL.**

**L'APPAREIL PEUT ÊTRE CHAUD, ATTENDEZ QU'IL SOIT REFROIDI AVANT D'EN FAIRE L'ENTRETIEN.**

**N'UTILISEZ PAS DE PRODUITS ABRASIFS.**

**ATTENTION :** Lors de l'entretien des contrôles, assurez-vous d'identifier chacun des fils avant de les débrancher. Une réinstallation incorrecte des fils peut occasionner un mauvais fonctionnement et être dangereuse. Assurez-vous que l'appareil fonctionne adéquatement une fois l'entretien terminé. Cet appareil et son système d'évacuation devraient être inspectés avant la première utilisation et au moins une fois l'an par un technicien de service qualifié. L'espace entourant l'appareil doit être gardé propre et libre de matériaux combustibles, d'essence ou autres liquides et vapeurs inflammables. Les apports d'air comburant et d'air de convection ne doivent pas être obstrués.

**A.** Pour nettoyer le brûleur principal et la veilleuse adéquatement, il faut retirer les bûches, les roches ou la vitre afin de dégager les deux ensembles.

**B.** Gardez le compartiment des contrôles, les composants décoratifs, le brûleur, le volet d'air et l'espace entourant les bûches propres en passant l'aspirateur ou en passant l'aspirateur au moins une fois l'an.

**C.** Assurez-vous que tous les orifices des brûleurs produisent des flammes. Nettoyez tous les orifices qui n'ont pas de flamme ou dont la flamme ne brûle pas adéquatement.

**D.** Assurez-vous que la flamme de la veilleuse est assez puissante pour envelopper la sonde de flamme et/ou le thermocouple/thermopile et qu'elle atteigne le brûleur.

**E.** Remettez en place les bûches, les roches ou la vitre nettoyées. Omettre de positionner les composants décoratifs adéquatement peut causer des dépôts de carbone qui peuvent se déposer dans des endroits de séjour avoisinants.

**F.** Vérifiez si le brûleur principal allume sur tous les orifices lorsque le bouton de contrôle du gaz est à « ON ». Un temps d'allumage total de 5 à 10 secondes est satisfaisant. Si l'allumage prend plus de temps, consultez votre détaillant autorisé.

**G.** Vérifiez si les joints d'étanchéité sur les côtés, le haut et le bas de la porte ne sont pas brisés ou manquants. Remplacez si nécessaire.

**H.** Si pour une raison quelconque le système d'évents de prise d'air est démonté, réinstallez et rescellez-le selon les instructions fournies dans l'installation initiale.

**I.** Si pour n'importe quelle raison le système de prise d'air de conduit est démonté, reposer et réinstaller par les instructions fournis à l'installation initiale.

40.1A

8.1 SOINS DE LA VITRE

**NE PAS NETTOYER LA VITRE LORSQU'ELLE EST CHAUDE! N'EMPLOYEZ PAS DE DÉTERGENTS ABRASIFS POUR NETTOYER LA VITRE.**

Polissez légèrement à l'aide d'un linge propre et sec. Nettoyez les deux côtés de la vitre avec un nettoyeur recommandé après les dix premières heures de fonctionnement. Par la suite, nettoyez aussi souvent qu'il le faudra, sinon la vitre risque de rester marquée en permanence.

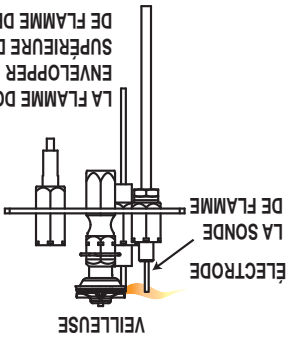
**AVERTISSEMENT**  **LA VITRE CHAUDE CAUSERA DES BRÛLURES. NE PAS TOUCHER LA VITRE AVANT QU'ELLE AIT REFROIDI. NE JAMAIS LAISSER LES ENFANTS TOUCHER LA VITRE.**



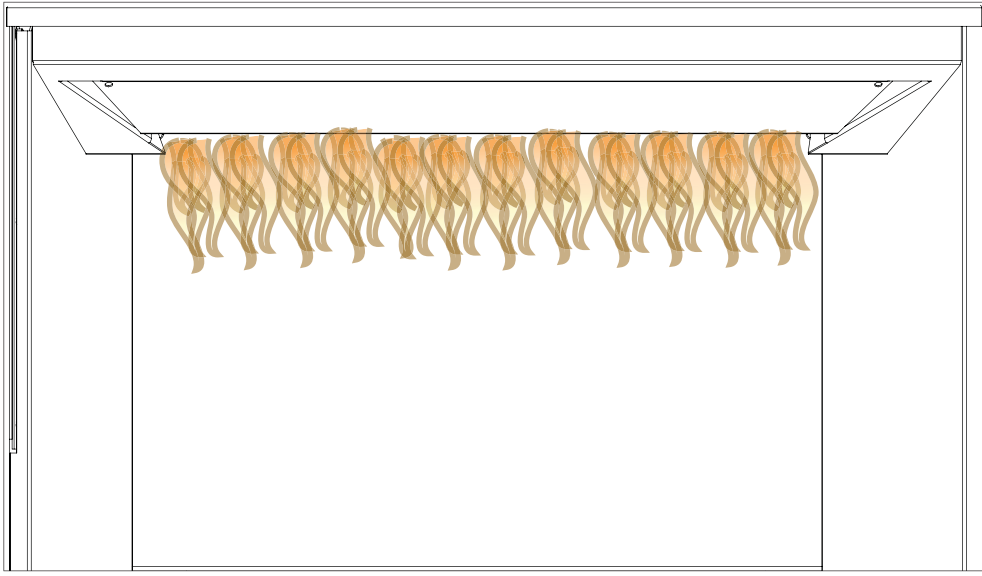
5.1

### 7.3 CARACTÉRISTIQUES DE LA FLAMME

Il est important d'effectuer périodiquement une inspection visuelle de la flamme de la veilleuse et du brûleur. Comparez-les à ces illustrations. Si des flammes paraissent anormales, contactez un technicien de service.



54.1A



## 7.0 RÉGLAGES

### 7.1 RÉGLAGE DE LA VEILLEUSE

Ajustez la vis de la veilleuse pour obtenir une flamme de taille normale. Tournez vers la droite pour réduire l'apport de gaz.

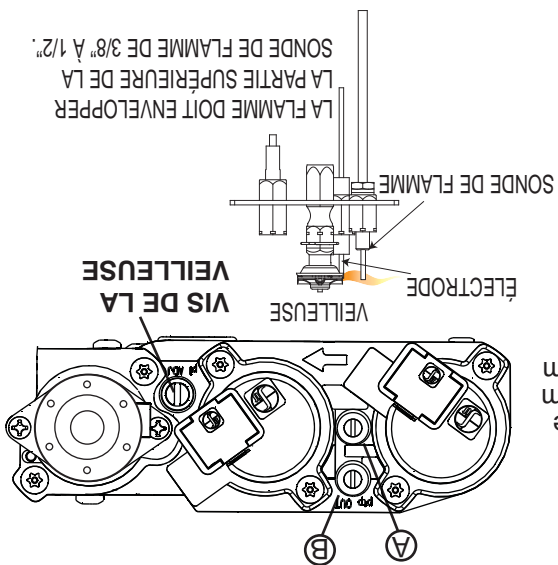
#### VÉRIFIER LA PRESSION :

Pour vérifier la pression d'arrivée, tournez la vis (A) vers la gauche deux à trois tours, puis embotez le tube du manomètre sur la pointe d'essai. Le manomètre doit indiquer 7 po (minimum 4,5 po) de colonne d'eau pour le gaz naturel ou 13 po (minimum 11 po) de colonne d'eau pour le propane. Assurez-vous que le brûleur principal fonctionne à « HI ».

La vérification de la pression de sortie s'effectue comme ci-dessus en utilisant la vis (B). Le manomètre doit indiquer 3,5 po de colonne d'eau pour le gaz naturel ou 10 po de colonne d'eau pour le propane. Assurez-vous que le brûleur principal fonctionne à « HI ».

**APRÈS AVOIR PRIS LA LECTURE DES PRESSIONS, ASSUREZ-VOUS DE TOURNER FERMEMENT LES VIS VERS LA DROITE POUR SCELLER. NE SEREZ PAS TROP FORT.**

Vérifiez pour des fuites en appliquant une solution d'eau savonneuse.



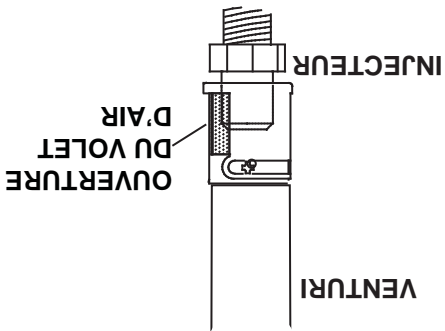
39.1A

### 7.2 RÉGLAGE DU VENTURI

L'ouverture du volet d'air a été pré réglée en usine selon le tableau ci-dessous :

Indépendamment de l'orientation du venturi, plus le volet est fermé, plus la flamme est jaune et aura tendance à causer des dépôts de carbone. Plus le volet est ouvert, plus la flamme est bleue et plus elle a tendance à se détacher des orifices du brûleur. La flamme peut ne pas être jaune immédiatement; laissez de 15 à 30 minutes pour que la couleur finale de la flamme se stabilise.

**LE RÉGLAGE DU VOLET D'AIR DOIT ÊTRE EXÉCUTÉ PAR UN TECHNICIEN OU INSTALLATEUR QUALIFIÉ!**



49.1

IR3G	1/8"	LP	1/2"
	1/8"	NG	1/2"

## 6.14 MINUTERIE DE SOUFFLERIE

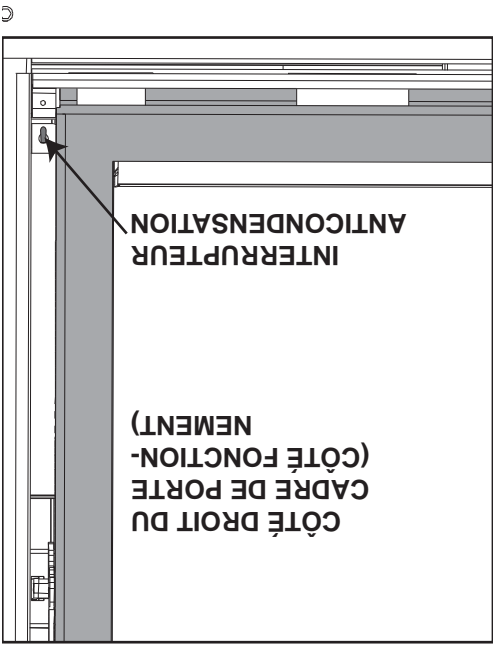
Votre télécommande est munie d'une minuterie intégrée (en mode thermostat) qui permet d'allumer et d'éteindre la soufflerie automatiquement (si équipée) lorsque le brûleur s'allume et s'éteint. La vitesse de la soufflerie étant déjà réglée sur la télécommande à la vitesse désirée, la soufflerie se mettra en marche environ 5 minutes après l'allumage du brûleur et s'arrêtera environ 12 minutes après la fermeture du brûleur. Ce délai d'attente est conçu pour maximiser la distribution d'air chaud par la soufflerie. Si à un moment ou l'autre le brûleur est réallumé avant que les douze minutes ne soient écoulées, la soufflerie continuera de fonctionner.

**NOTE :** Lors de la séquence d'opération, la soufflerie (si équipée) peut être manuellement allumée/fermée avec la télécommande à tout moment.

35.19B

## 6.15 L'INTERRUPTEUR ANTICONDENSATION (OPTIONNELLE)

Cet appareil a la possibilité de passer d'un mode de veilleuse électronique à allumage intermittent à un mode de veilleuse permanente pour les climats froids.



### 6.11 PILES FAIBLES / DÉRIVATION MANUELLE

La durée de vie des piles de la télécommande dépend de plusieurs facteurs : la qualité des piles, le nombre d'allumage de l'appareil, le nombre de changements du point de réglage du thermostat, etc.

Dès que les piles de la télécommande sont faibles, l'écran ACL affiche une icône de pile. Celle-ci disparaît lorsque vous remplacez les piles.

Ne s'applique pas lorsque branché à l'alimentation 110 V.

Le récepteur vous avisera que ses piles sont faibles en n'émettant aucun bip lorsqu'il reçoit une commande « ON/OFF ». Dès que les piles seront remplacées, le récepteur émettra à nouveau un bip lorsque la touche « ON/OFF » sera enfoncée.

Si les piles du récepteur ou de la télécommande sont faibles, l'appareil peut être mis en marche manuellement en glissant l'interrupteur à glissière du récepteur à la position « ON ». Cela contournera les fonctions de la télécommande et le brûleur principal de l'appareil se mettra en marche si la soupape de gaz est à la position « ON ».

### 6.12 EN CAS DE PANNE DE COURANT

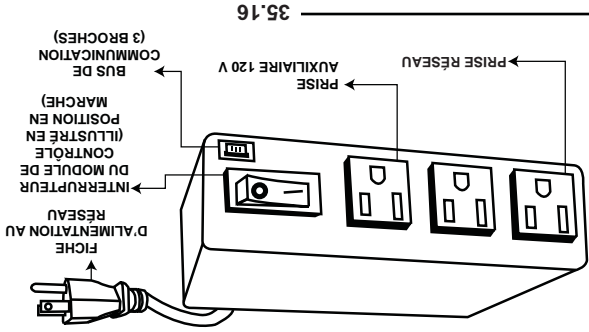
Si le récepteur est muni de piles, celles-ci permettront au contrôle de la hauteur de la flamme, au bouton « ON/OFF » ou au thermostat de contrôler le foyer, lorsque survient une panne électrique. Reportez-vous à la section « FONCTIONNEMENT DE L'APPAREIL » lorsque les communications entre le récepteur et la télécommande sont rompues. Le récepteur émettra un bip pour confirmer la réussite de la programmation une fois que le courant est rétabli. Si le foyer était en marche au moment de la panne de courant, la hauteur de la flamme conservera son réglage. Si le foyer était éteint au moment de la panne, mais qu'il est allumé par la suite, la hauteur de la flamme sera à « HI ». La hauteur de la flamme peut alors être ajustée par la télécommande.

35.13

### 6.13 MODULE DE CONTRÔLE

**Le module de contrôle offre une prise 120 V AUX**  
**télécommandée pour la lumière de veille et une prise**  
**120 V à alimentation constante.**

**NOTE :** L'interrupteur « ON/OFF » du module de contrôle devrait toujours être à la position « ON ». Si pour une raison quelconque le module est éteint, les composants électriques au module n'auront aucune alimentation.


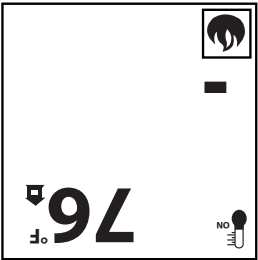
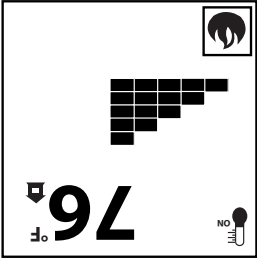



35.16

6.8 HAUTEUR DE LA FLAMME

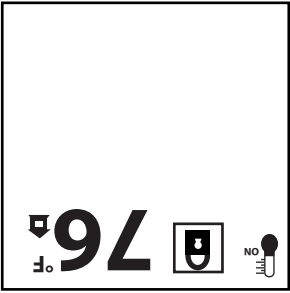
La télécommande comporte six (6) niveaux de flammes. Avec le système en marche et le niveau de la flamme au maximum, appuyez une fois sur la touche bas et cela réduira la hauteur de la flamme d'un niveau jusqu'à ce que la flamme soit éteinte. La touche haut augmentera la hauteur de la flamme chaque fois qu'elle est enfoncée. Si la touche haut est enfoncée lorsque le système est en marche, mais que la flamme est éteinte, la flamme s'allumera en position élevée. Un seul bip confirmera la réception de la commande.

35.8

<p>FLAMME ÉTEINTE</p> 	<p>FLAMME AU NIVEAU 1</p> 
<p>FLAMME AU NIVEAU 5</p> 	<p>FLAMME AU NIVEAU 6 « HAUT »</p> 

6.9 FONCTION DE SÉCURITÉ POUR ENFANTS

A. Appuyez simultanément sur les touches « MODE » et haut.  
 B. Pour désactiver cette fonction, appuyez simultanément sur les touches « MODE » et haut.  
 Cette fonction verrouillera les touches pour empêcher une utilisation non supervisée.



6.10 LUMIÈRE DE VEILLE

La fonction auxiliaire règle la prise d'alimentation auxiliaire du Module de contrôle qui, à son tour, ajuste la lumière de veille.

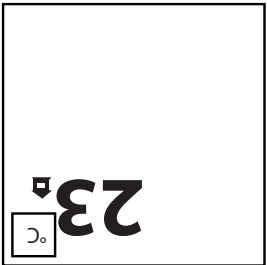
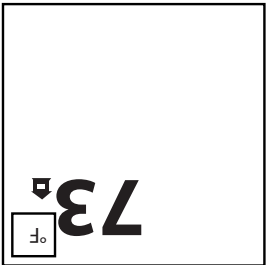
- A. Utilisez la touche « MODE » pour vous guider vers l'icône « AUX ».
- B. Appuyez sur la touche fléchée haut pour activer la lumière de veille.
- C. Appuyez sur la touche fléchée bas pour éteindre la lumière de veille. Un bip unique confirmera la réception de la commande.



## 6.5 AFFICHEUR DE TEMPÉRATURE

- A.** Avec le système en position «OFF», appuyez simultanément sur les touches «THERMOSTAT» et «MODE» pour passer de l'affichage de la température en Fahrenheit à Celsius.

- B.** Vérifiez l'afficheur ACL de la télécommande pour vous assurer que le C ou le F est visible à la droite de l'affichage de la température de la pièce.



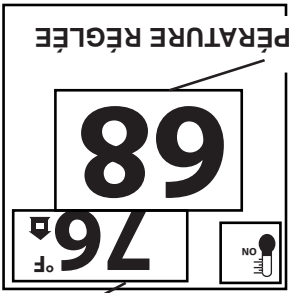
35.5

## 6.6 THERMOSTAT DE PIÈCE

La télécommande peut fonctionner comme un thermostat de pièce. Le thermostat peut être réglé à une température désirée pour contrôler le niveau de confort dans la pièce.

- A.** Appuyez sur la touche « THERMOSTAT ». L'afficheur ACL de la télécommande indiquera que la pièce est « ON » et la température réglée est maintenant affichée.

- B.** Pour ajuster la température réglée, appuyez sur la touche haut/bas jusqu'à ce que la température désirée s'affiche sur l'écran ACL de la télécommande.



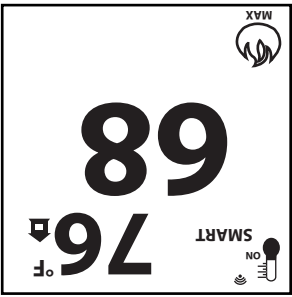
35.6

## 6.7 THERMOSTAT INTELLIGENT

La fonction « Smart Thermostat » (thermostat intelligent) ajuste la hauteur de la flamme selon la différence entre la température réglée et la température réelle de la pièce. Alors que la température de la pièce s'approche à celle du point de réglage, la fonction Smart ajustera automatiquement la hauteur de la flamme.

- A.** Appuyez sur la touche « THERMOSTAT » jusqu'à ce que le mot « SMART » apparaisse à la droite de l'icône de thermomètre

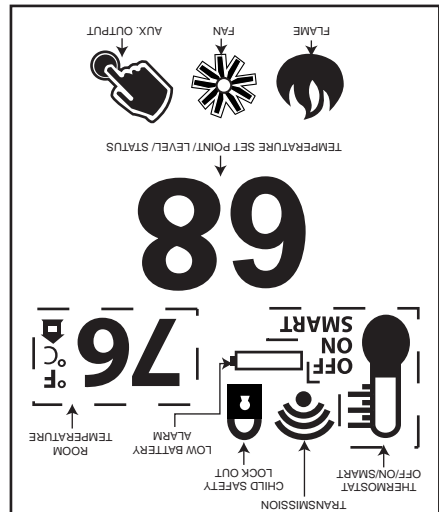
- B.** Pour ajuster la température réglée, appuyez sur la touche haut/bas jusqu'à ce que la température désirée s'affiche sur l'écran ACL de la télécommande.



35.7



6.2 DESSIN GÉNÉRAL DE LA TÉLÉCOMMANDE



35.1

6.3 FONCTIONNEMENT DE L'APPAREIL

- A. Installez 4 piles AA dans le compartiment à piles du récepteur, tel qu'indiqué sur le couvercle (+/-). (Requis uniquement en tant qu'élément de secours en cas de panne de courant.)
- B. Réglez l'interrupteur à glissière à « REMOTE ».
- C. Insérez le bout d'un trombone, ou d'un objet similaire, dans le trou « PRG » situé sur le couvercle avant du récepteur. Le récepteur émettra trois (3) bips pour indiquer qu'il est prêt à être synchronisé avec la télécommande.
- D. Installez les 3 piles AAA dans le compartiment à piles de la télécommande qui se trouve sur la base de la télécommande. Appuyez ensuite sur la touche « ON ». Le récepteur émettra quatre (4) bips pour indiquer que la commande de la télécommande est acceptée et réglée au code spécifique de cette télécommande. Le système est maintenant initialisé.

35.2A

6.4 FONCTIONNEMENT DE LA TÉLÉCOMMANDE

- A. Appuyez sur la touche « ON/OFF » de la télécommande. L'afficheur de la télécommande affichera toutes les icônes actives à l'écran. Un bip unique du récepteur confirmera la réception de la commande.



35.4

## 6.0 FONCTIONNEMENT

**AVERTISSEMENT**

SI CES INSTRUCIONS NE SONT PAS SUIVIES À LA LETTRE, UN INCENDIE OU UNE EXPLOSION POURRAIT S'ENSUIVRE, CAUSANT DES DOMMAGES MATÉRIELS, DES BLESSURES CORPORELLES OU DES PERTES DE VIE.

ALLUMEZ TOUJOURS LA VEILLEUSE, QUE CE SOIT POUR LA PREMIÈRE FOIS OU LORSQUE L'APPROVISIONNEMENT EN GAZ EST ÉPUISÉ, AVEC LA PORTE VITRÉE OUVERTE OU RETIRÉE.

Lorsqu'il est allumé pour la première fois, l'encastrement dégagera une légère odeur pendant quelques heures. Cela est une condition normale temporaire causée par l'évaporation des peintures et lubrifiants internes utilisés dans le processus de fabrication; elle ne se reproduira plus. Après de longues périodes sans utiliser l'appareil, comme à la suite de vacances ou à la fin de l'été, il se peut qu'une légère odeur se dégage pendant quelques heures. Ceci est causé par des particules de poussière brûlante dans l'échangeur de chaleur. Dans les deux cas, ouvrez une fenêtre pour aérer la pièce.

## 6.1 INSTRUCIONS D'OPÉRATION ET D'ALLUMAGE

**OPERATING INSTRUCTIONS / INSTRUCIONS D'OPERATION**

**FOR YOUR SAFETY READ BEFORE OPERATING / POUR VOTRE SÉCURITÉ LIRE AVANT DE FAIRE FONCTIONNER**

**WARNING: IF YOU DO NOT FOLLOW THESE INSTRUCTIONS EXACTLY, A FIRE OR EXPLOSION MAY RESULT CAUSING PROPERTY DAMAGE, PERSONAL INJURY OR LOSS OF LIFE.**

INITIAL LIGHTING OF THE PILOT AND MAIN BURNERS MUST BE DONE WITH THE GLASS DOOR OFF. DO NOT CONNECT VALVE OR WALL SWITCH TO ELECTRICITY. SEE INSTALLATION INSTRUCTIONS.

SETTLE ON THE FLOOR AND NEXT TO THE FLOOR BECAUSE SOME GAS IS HEAVIER THAN AIR AND WILL FLOW TO DO IF YOU SMELL GAS.

• TURN OFF ALL GAS TO THE FIREPLACE.

• DO NOT TRY TO LIGHT ANY APPLIANCE.

• DO NOT TOUCH ANY ELECTRIC SWITCH. DO NOT USE ANY PHONE IN YOUR BUILDING.

• IMMEDIATELY CALL YOUR GAS SUPPLIER FROM A NEIGHBOUR'S PHONE.

• FOLLOW THE GAS SUPPLIER'S INSTRUCTIONS.

• IF YOU CANNOT REACH YOUR GAS SUPPLIER, CALL THE FIRE DEPARTMENT.

• DO NOT TRY TO REPAIR ANY PART OF THIS ASSEMBLY. CALL A QUALIFIED SERVICE TECHNICIAN. FORCE OR ATTEMPTED REPAIR MAY RESULT IN A FIRE OR EXPLOSION.

• DO NOT USE THIS FIREPLACE IF ANY PART HAS BEEN UNDER WATER. IMMEDIATELY CALL A QUALIFIED SERVICE TECHNICIAN TO INSPECT THE FIREPLACE AND REPLACE ANY PART OF THE CONTROL SYSTEM AND ANY GAS CONTROL WHICH HAS BEEN UNDER WATER.

• SETTLE ON THE FLOOR AND NEXT TO THE FLOOR BECAUSE SOME GAS IS HEAVIER THAN AIR AND WILL FLOW TO DO IF YOU SMELL GAS.

• TURN OFF ALL GAS TO THE FIREPLACE.

• DO NOT TRY TO LIGHT ANY APPLIANCE.

• DO NOT TOUCH ANY ELECTRIC SWITCH. DO NOT USE ANY PHONE IN YOUR BUILDING.

• IMMEDIATELY CALL YOUR GAS SUPPLIER FROM A NEIGHBOUR'S PHONE.

• FOLLOW THE GAS SUPPLIER'S INSTRUCTIONS.

• IF YOU CANNOT REACH YOUR GAS SUPPLIER, CALL THE FIRE DEPARTMENT.

• DO NOT TRY TO REPAIR ANY PART OF THIS ASSEMBLY. CALL A QUALIFIED SERVICE TECHNICIAN. FORCE OR ATTEMPTED REPAIR MAY RESULT IN A FIRE OR EXPLOSION.

• DO NOT USE THIS FIREPLACE IF ANY PART HAS BEEN UNDER WATER. IMMEDIATELY CALL A QUALIFIED SERVICE TECHNICIAN TO INSPECT THE FIREPLACE AND REPLACE ANY PART OF THE CONTROL SYSTEM AND ANY GAS CONTROL WHICH HAS BEEN UNDER WATER.

**ATTENTION: SI CES INSTRUCIONS NE SONT PAS OBSERVÉES À LA LETTRE, UN FEU OU UNE EXPLOSION POURRAIT S'ENSUIVRE CAUSANT DES DOMMAGES À LA PROPRIÉTÉ, DES BLESSURES CORPORELLES OU PERTE DE VIE.**

ALUMAGE INITIAL DE LA VEILLEUSE ET DU BRÛLEUR PRINCIPAL DOIT SE FAIRE AVEC LA PORTE VITRÉE ENLEVÉE.

NE RACCORDEZ PAS LA SOUPAPE OU L'INTERRUPTEUR MURALA L'ÉLECTRICITÉ.

CONSULTEZ LES INSTRUCIONS D'INSTALLATION.

A. CET APPAREIL EST MUNI D'UN DISPOSITIF D'ALLUMAGE QUI ALLUME LA VEILLEUSE AUTOMATIQUEMENT.

B. AVANT D'ALLUMER SENSIBLE L'AIR AUTOUR DE L'APPAREIL ET PRÈS DU PLANCHER (CERTAINS GAZ SONT PLUS LOURDS QUE L'AIR ET SE DÉPOSERONT AU NIVEAU DU PLANCHER), POUR DÉTECTER UNE FUMÉE POSSIBLE.

C. COUPEZ L'ALIMENTATION DE GAZ PRINCIPALE.

• OUVREZ LES FENÊTRES.

• ALLUMEZ AUCUN APPAREIL.

• NE TOUCHEZ PAS AUCUN INTERRUPTEUR ÉLECTRIQUE; N'UTILISEZ AUCUN TÉLÉPHONE DANS VOTRE IMMEUBLE.

• APPELEZ IMMÉDIATEMENT VOTRE FOURNISSEUR DE GAZ D'UN TÉLÉPHONE VOISIN ET SUIVREZ SES INSTRUCIONS.

DES

• SI VOUS NE POUVEZ PAS REJOINDRE VOTRE FOURNISSEUR DE GAZ, APPELEZ LE SERVICE INDÉPENDANT.

C. NESSAYEZ PAS DE RÉPARER AUCUNE PIÈCE DE CET ASSEMBLAGE. APPELEZ UN TECHNICIEN QUALIFIÉ. FORCER OU TENTER DE RÉPARER L'ASSEMBLAGE POURRAIT CAUSER UN FEU OU UNE EXPLOSION.

D. N'UTILISEZ PAS CET APPAREIL SI UN DE SES COMPOSANTS A ÉTÉ SUBMERGÉ. CONTACTEZ IMMÉDIATEMENT UN TECHNICIEN DE SERVICE QUALIFIÉ POUR INSPECTER L'APPAREIL ET REMPLACER TOUT SYSTÈME DE CONTRÔLE DE GAZ TOUCHÉ PAR L'EAU.

W355-0460

**STOP! READ ALL INFORMATION OF OPERATING AND LIGHTING INSTRUCTIONS BEFORE PROCEEDING.**

1. THIS FIREPLACE IS EQUIPPED WITH AN IGNITION DEVICE WHICH AUTOMATICALLY LIGHTS THE PILOT. DO NOT TRY TO LIGHT THE PILOT BY HAND.

2. TURN MANUAL SHUTOFF VALVE CLOCKWISE TO OFF.

3. WAIT FIVE (5) MINUTES TO CLEAR OUT ANY GAS. IF YOU SMELL GAS INCLUDING NEAR THE FLOOR, STOP! FOLLOW "B" OF THE OPERATING INSTRUCTIONS. IF YOU DON'T SMELL GAS GO TO THE NEXT STEP.

4. TURN MANUAL SHUTOFF VALVE CLOCKWISE TO OFF.

5. OPEN THE GLASS DOOR.

6. TURN MANUAL SHUTOFF VALVE CLOCKWISE TO ON.

7. CLOSE THE GLASS DOOR.

8. TURN ON ALL ELECTRIC POWER TO THE FIREPLACE.

9. TURN ON MAIN BURNER.

10. TURN ON ALL ELECTRICAL POWER TO THE FIREPLACE.

1. ARRÊTEZ L'ÉLECTRICITÉ AVANT DE CONTINUER.

2. COUPEZ L'ALIMENTATION ÉLECTRIQUE À L'APPAREIL.

3. CET APPAREIL EST MUNI D'UN DISPOSITIF D'ALLUMAGE QUI ALLUME LA VEILLEUSE AUTOMATIQUEMENT. N'ESSAYEZ PAS D'ALLUMER LA VEILLEUSE MANUELLEMENT.

4. OUVREZ LA PORTE VITRÉE.

5. ATTENDEZ CINQ (5) MINUTES POUR QUE LE GAZ PUISSE S'ÉCHAPPER. SI VOUS DÉTECTEZ UNE ODEUR DE GAZ, ARRÊTEZ L'ÉLECTRICITÉ À L'APPAREIL.

6. SUIVEZ « B » DANS LES INSTRUCIONS DE FONCTIONNEMENT. SI L'INSTRUCIONS, SI VOUS DÉTECTEZ AUCUN GAZ, SUIVEZ L'ÉTAPE SUIVANTE.

7. TOURNEZ LA SOUPAPE DE SECTIONNEMENT MANUELLE VERS LA GAUCHE À "ON".

8. FERMÉZ LA PORTE VITRÉE.

9. RÉTABLISSEZ L'ALIMENTATION ÉLECTRIQUE AU FOYER.

10. ALLUMÉZ LE BRÛLEUR PRINCIPAL.

1. STOP! READ ALL INFORMATION OF OPERATING AND LIGHTING INSTRUCTIONS BEFORE PROCEEDING.

2. TURN MANUAL SHUTOFF VALVE CLOCKWISE TO OFF.

3. WAIT FIVE (5) MINUTES TO CLEAR OUT ANY GAS. IF YOU SMELL GAS INCLUDING NEAR THE FLOOR, STOP! FOLLOW "B" OF THE OPERATING INSTRUCTIONS. IF YOU DON'T SMELL GAS GO TO THE NEXT STEP.

4. TURN MANUAL SHUTOFF VALVE CLOCKWISE TO OFF.

5. OPEN THE GLASS DOOR.

6. TURN MANUAL SHUTOFF VALVE CLOCKWISE TO ON.

7. CLOSE THE GLASS DOOR.

8. TURN ON ALL ELECTRIC POWER TO THE FIREPLACE.

9. TURN ON MAIN BURNER.

10. TURN ON ALL ELECTRICAL POWER TO THE FIREPLACE.

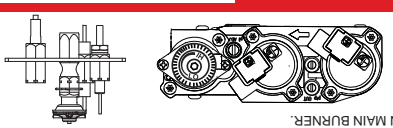
**TO TURN OFF GAS / INSTRUCIONS POUR COUPER LE GAZ**

1. COUPEZ L'ALIMENTATION ÉLECTRIQUE AU FOYER SI UN TRAVAIL D'ENTRETIEN DOIT SE FAIRE.

2. TOURNEZ LA SOUPAPE D'ARRÊT MANUELLE VERS LA DROITE À "OFF". NE FORCÉZ PAS.

**LIGHTING INSTRUCTIONS / INSTRUCIONS D'ALLUMAGE**

**TO TURN OFF GAS / INSTRUCIONS POUR COUPER LE GAZ**



## 5.0 INFORMATION ÉLECTRIQUE

### 5.1 SCHEMA DE CÂBLAGE

**AVERTISSEMENT**

N'UTILISEZ PAS CE Foyer SI UNE PARTIE QUELCONQUE A ÉTÉ SUBMERGÉE. CONTACTEZ IMMÉDIATEMENT UN TECHNICIEN DE SERVICE QUALIFIÉ POUR INSPECTER L'APPAREIL POUR DES DOMMAGES AU CIRCUIT ÉLECTRIQUE.

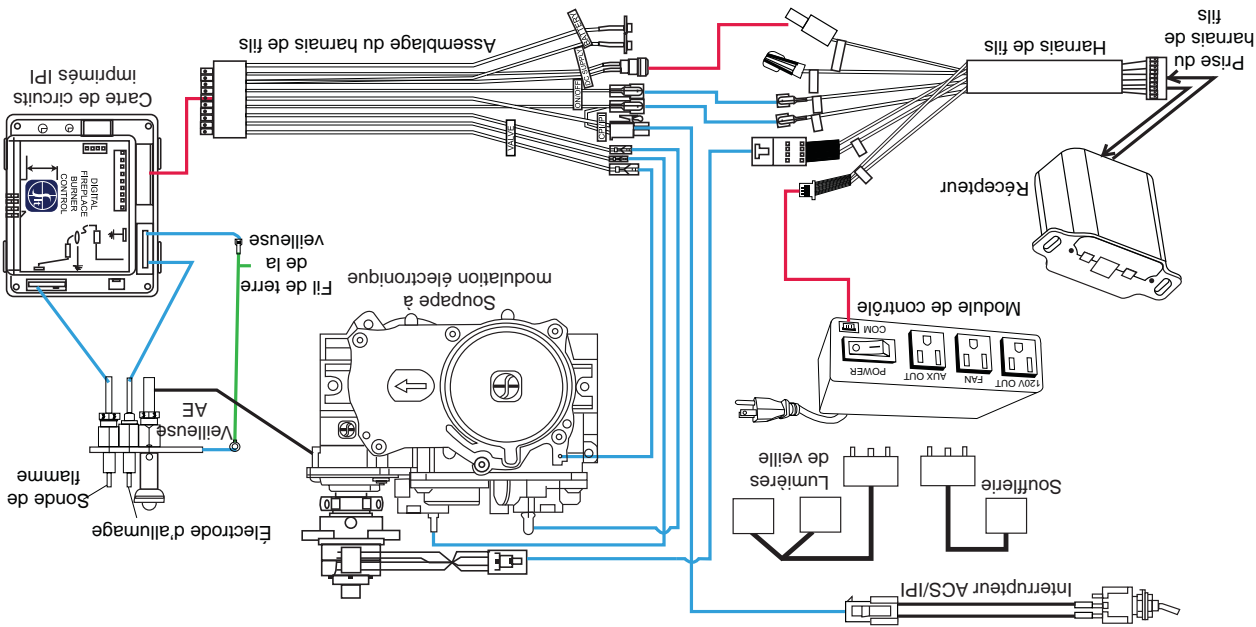
RISQUE DE CHOCS ÉLECTRIQUES OU D'EXPLOSION. NE BRANCHEZ PAS LE 110 V À LA SOUPAPE OU À L'INTERRUPTEUR MURAL DE L'APPAREIL. UN BRANCHEMENT ÉLECTRIQUE INCORRECT ENDOMMAGERA LES CONTRÔLES.

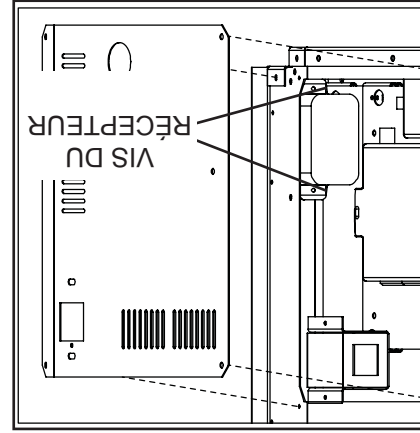
CET APPAREIL DOIT ÊTRE RACCORDÉ ÉLECTRIQUEMENT PAR UN ÉLECTRICIEN QUALIFIÉ CONFORMÉMENT AUX CODES LOCAUX. EN L'ABSENCE DE CODES LOCAUX, UTILISEZ LA VERSION COURANTE DU CODE CANADIEN DE L'ÉLECTRICITÉ CSA C22.1 AU CANADA OU LE NATIONAL ELECTRICAL CODE ANSI/NFPA 70 AUX ÉTATS-UNIS.

ALLUMEZ TOUJOURS LA VEILLEUSE, QUE CE SOIT POUR LA PREMIÈRE FOIS OU LORSQU' L'APPROVISIONNEMENT EN GAZ EST ÉPUISÉ, AVEC LA PORTE VITRÉE OUVERTE OU RETIRÉE.

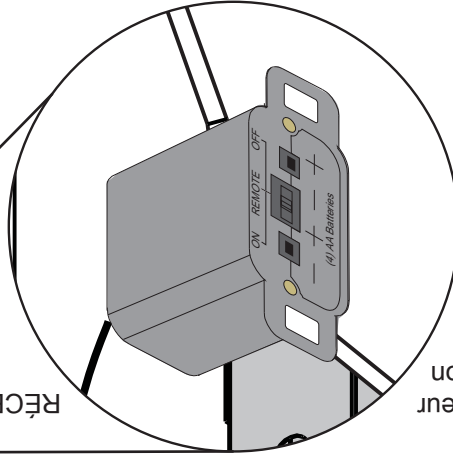
69.2

Cet appareil est équipé d'un système de démarrage à piles. Si le système de démarrage à piles est utilisé, installez quatre piles AA (non fournies) dans le support et branchez-le au récepteur.

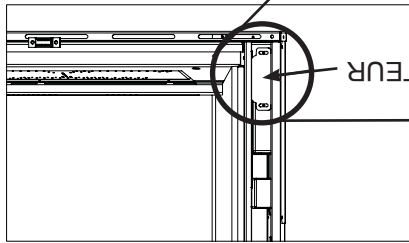




Si vous devez enlever le récepteur, retirez le panneau d'accès gauche du devant de l'appareil. Enlevez les deux vis servant à fixer le récepteur. Tirez le récepteur à travers l'ouverture d'accès puis remplacez.

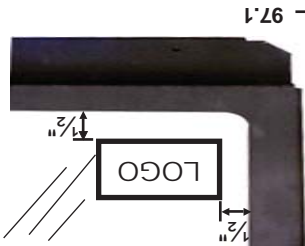


NOTE : Garantir que le commutateur de trois position est dans la position « ELOIGNEE » (la position du milieu).



Pour que le IR3G soit fonctionnel, vous devez installer 4 piles AA dans le récepteur. Le récepteur est situé dans le coin inférieur gauche de l'appareil.

#### 4.5 INSTALLATION DES PILES



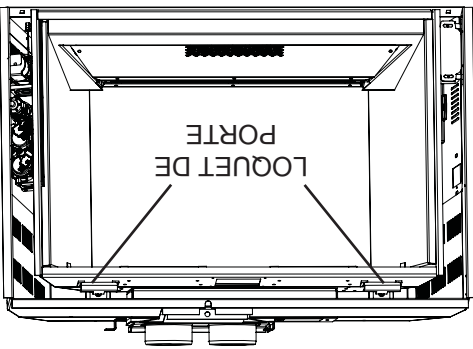
Retirez le papier dorsal du logo et placez-le sur la porte vitrée tel qu'indiqué.

#### 4.4 MISE EN PLACE DU LOGO

ENLÈVEMENT ET INSTALLATION DE LA PORTE

<b>AVERTISSEMENT</b>	
LA VITRE PEUT ÊTRE CHAUDE, NE TOUCHEZ PAS LA VITRE JUSQU'À CE QU'ELLE AIT REFRROIDI.	
LES LOQUETS DE PORTE FONT PARTIE D'UN DISPOSITIF DE SÉCURITÉ ET DOIVENT ÊTRE ADÉQUATEMENT VERROUILLÉS. NE FAITES PAS FONCTIONNER L'APPAREIL LORSQUE LES LOQUETS SONT DÉVERROUILLÉS.	
LES MATÉRIAUX DE FAÇADE ET DE FINITION NE DOIVENT PAS NUIRE À LA CIRCULATION DE L'AIR DANS LES OUVERTURES D'AIR ET LES PERSIENNES, NI AU FONCTIONNEMENT DES PERSIENNES OU DES PORTES. ILS NE DOIVENT PAS NON PLUS ENTRAVER L'ACCÈS POUR L'ENTRETIEN. RESPECTEZ TOUS LES DÉGAGEMENTS AUX MATÉRIAUX COMBUSTIBLES.	
AVANT D'ENLEVER LA PORTE, ÉTEIGNEZ L'APPAREIL ET ATTENDEZ QUE CE DERNIER SOIT FROID AU TOUCHER. LES PORTES SONT LOURDES ET FRAGILES; MANIPULEZ AVEC SOIN.	

75.1



Avant de pouvoir ouvrir ou fermer la porte vitrée, la façade optionnelle doit être retirée. La porte vitrée est maintenue en place par deux loquets situés en haut sur le devant de l'appareil. Tirez les poignées des loquets vers l'avant, puis retirez les loquets du cadre de porte afin de libérer le haut de la porte. Pivotez ensuite le haut de la porte vers l'avant jusqu'à ce que vous puissiez saisir les côtés. Soulevez la porte hors du dispositif de retenue inférieur.

4.3 INSTALLATION DES BRAISES VITRIÉES

<b>AVERTISSEMENT</b>	
NETTOYEZ LES BRAISES VITRIÉES AVANT L'INSTALLATION. ASSUREZ-VOUS QU'ELLES SONT SÈCHES AVANT DE LES DISPOSER DANS LE PLATEAU.	
NE CHANGEZ PAS OU NE SUBSTITUEZ PAS LES BRAISES VITRIÉES FOURNIES AVEC CET APPAREIL. EN CAS DE REMPLACEMENT, N'UTILISEZ QUE LES BRAISES VITRIÉES DE REMPLACEMENT DISPONIBLES CHEZ VOTRE DÉTAILLANT AUTORISÉ.	
NE DÉPOSEZ QU'UNE SEULE COUCHE DE BRAISES VITRIÉES SUR LE BRÛLEUR. PLUS D'UNE COUCHE DE BRAISES SUR LE BRÛLEUR AURA POUR EFFET DE FAIRE MONTER LA FLAMME ET DE CRÉER DE LA SUIE.	

Éparpillez uniformément les braises vitriées dans le plateau, en suivant sa forme naturelle et en couvrant le brûleur tubulaire.

Dans certaines installations, des braises vitriées placées par-dessus le brûleur tubulaire peuvent causer un bruit de soufflement. Si ce bruit est excessif, éloignez simplement les braises vitriées des orifices de brûleur.

**NOTE :** La répartition des braises vitriées sur le brûleur tubulaire aura une incidence sur la hauteur de la flamme. Lorsque les flammes empiètent sur les braises vitriées, celles-ci peuvent se décolorer légèrement et les bords peuvent ramollir.

**NETTOYAGE DES BRAISES VITRIÉES**

Il est possible qu'un film huileux recouvre les braises. Avant de les disposer sur le plateau, nettoyez les braises avec un savon à vaisselle doux, égouttez-les, rincez-les à fond et laissez-les sécher.

74.1A

## 4.0 FINITIONS

<b>AVERTISSEMENT</b>	
<b>RISQUE D'INCENDIE!</b>	
N'OBSTRUEZ JAMAIS L'OUVERTURE SUR LE DEVANT DE L'APPAREIL.	
LA FAÇADE DE L'APPAREIL DOIT ÊTRE FAITE DE MATÉRIEAUX INCOMBUSTIBLES COMME DE LA BRIQUE, DU MARBRE, DU GRANITE, ETC., À CONDITION QUE CES MATÉRIEAUX NE SE TROUVENT PAS EN DEÇÀ DE LA DIMENSION SPÉCIFIÉE TEL QU'ILLUSTRE. COMME ALTERNATIVE, VOUS POUVEZ UTILISER LE PANNEAU DE GYPSE COMME FINITION POUR VOTRE APPAREIL, VOIR LES ILLUSTRATIONS À SUIVRE.	
NE FRAPPEZ PAS, NE CLAUQUEZ PAS ET N'ÉGRATIGNEZ PAS LA PORTE VITRÉE. NE FAITES PAS FONCTIONNER L'APPAREIL LORSQUE LA PORTE VITRÉE EST ENLEVÉE, FISSURÉE, BRISÉE OU ÉGRATIGNÉE.	
LES MATÉRIEAUX DE FAÇADE OU DE FINITION NE DOIVENT JAMAIS EMPÊCHER SUR L'OUVERTURE DE L'APPAREIL.	

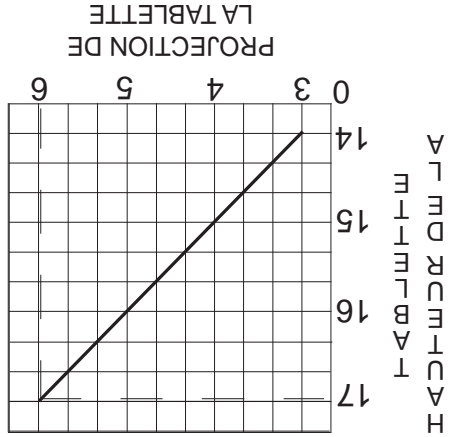
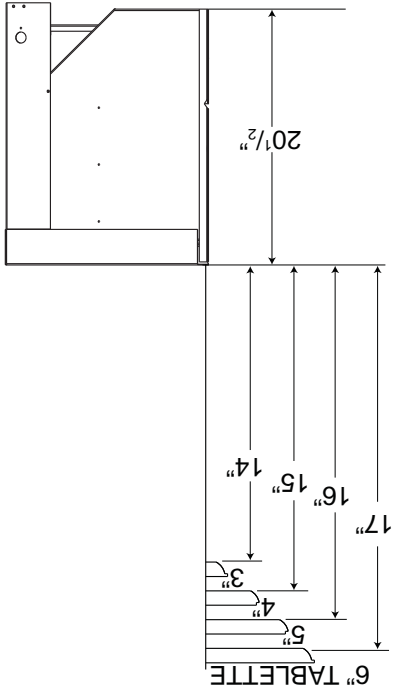
72.1A

### 4.1 DÉGAGEMENTS MINIMAUX DE LA TABLETTE

<b>AVERTISSEMENT</b>	
RISQUE D'INCENDIE. CONSERVEZ TOUS LES DÉGAGEMENTS AUX MATÉRIEAUX COMBUSTIBLES SPÉCIFIÉS. NE PAS RESPECTER CES INSTRUCTIONS PEUT CAUSER UN INCENDIE OU UNE SURCHAUFFE. ASSUREZ-VOUS QUE TOUTS LES DÉGAGEMENTS (ARRIÈRE, CÔTÉS, DESSUS, EVENTS, TABLETTE, FAÇADE, ETC.) SONT RESPECTÉS À LA LETTRE.	
LORSQUE VOUS UTILISEZ DE LA PEINTURE OU DU VERNIS COMME FINITION POUR VOTRE TABLETTE, ASSUREZ-VOUS QU'ILS SOIENT RÉSISTANTS À LA CHALEUR AFIN DE PRÉVENIR LA DÉCOLORATION.	

73.1

Le dégagement d'une tablette combustible à l'appareil peut varier selon la profondeur de la tablette. Utilisez le graphique pour vous aider à déterminer le dégagement nécessaire. Les mêmes dégagements aux matériaux combustibles s'appliquent pour toutes les surfaces en projection sur les côtés de l'appareil.



<b>AVERTISSEMENT</b>
RISQUE D'INCENDIE, D'EXPLOSION OU D'ASPHYXIE. ASSUREZ-VOUS QU'IL N'Y AIT AUCUNE SOURCE D'ALLUMAGE COMME DES ÉTINCELLES OU UNE FLAMME NUE.
SOUTENEZ LE CONTRÔLE DU GAZ LORSQUE VOUS ATTACHEZ LE TUYAU POUR ÉVITER DE PLIER LA CONDUITE DE GAZ.
ALLUMEZ TOUJOURS LA VEILLEUSE, QUE CE SOIT POUR LA PREMIÈRE FOIS OU LORSQUE L'APPROVISIONNEMENT EN GAZ EST ÉPUISE, AVEC LA PORTE VITRÉE OUVERTE OU RETIRÉE. LA PURGE DOIT ÊTRE EFFECTUÉE PAR UN TECHNICIEN QUALIFIÉ. ASSUREZ-VOUS QUE L'ARRIVÉE DE GAZ AU BRÛLEUR EST CONTINUE AVANT DE FERMER LA PORTE. ASSUREZ-VOUS D'UNE VENTILATION ADEQUATE. POUR LES EMPLACEMENTS DE L'ENTRÉE DU GAZ ET DE L'ENTRÉE ÉLECTRIQUE, VOIR LA SECTION « DIMENSIONS ».
LORSQUE LE BRANCHEMENT EST TERMINÉ, TOUS LES RACCORDS DE GAZ DOIVENT SE TROUVER À L'INTÉRIEUR DU FOYER.
LES PRESSIONS ÉLEVÉES ENDOMMAGERONT LA SOUPAPE. L'ALIMENTATION EN GAZ DOIT ÊTRE DÉBRANCHÉE PENDANT LES ESSAIS DE PRESSION DE CE SYSTÈME LORSQUE LES PRESSIONS D'ESSAI EXCÈDENT ½ LB/PO <sup>2</sup> (3,5 KPA).
LES RÉGLAGES DE LA SOUPAPE ONT ÉTÉ FAITS EN USINE; NE LES MODIFIEZ PAS.

L'installation et l'entretien doivent être effectués par un installateur qualifié.

- A.** Mettez l'appareil en place et fixez-le.
- B.** Si l'appareil est muni d'un raccord flexible, celui-ci est conçu pour recevoir une conduite de gaz de 1/2". Sans raccord flexible, l'appareil est conçu pour recevoir une conduite de gaz de 3/8". L'appareil est muni d'une soupape d'arrêt manuelle pour fermer l'alimentation en gaz.
- C.** Branchez le gaz en conformité avec les codes locaux. En l'absence de codes locaux, l'installation doit être conforme au Code d'installation du gaz CAN/CSA-B149.1 dans sa version pour le Canada ou le National Fuel Gas Code, ANSI Z223.1 / NFPA 54 pour les États-Unis.
- D.** Lorsque vous manipulez des conduites de gaz, soutenez la soupape de gaz pour éviter que les conduites ne se plient.
- E.** Le raccord flexible de l'alimentation en gaz devrait être suffisamment mobile pour permettre de placer l'assemblage du brûleur sur le côté.
- F.** Vérifiez pour des fuites de gaz en appliquant une solution d'eau savonneuse. **N'utilisez pas une flamme nue.**

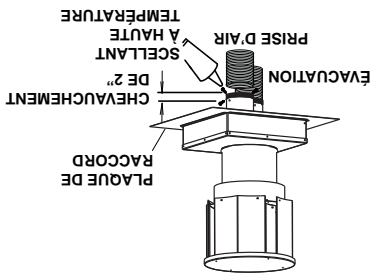
30.1A

L'installation de la cheminée doit être conforme aux normes des codes nationaux et locaux. La cheminée doit être munie d'un conduit de 3" de diamètre pour la prise d'air et d'un conduit de 3" de diamètre pour l'évacuation. Les longueurs minimales et maximales des gaines sont respectivement de 10 et 35 pieds. Les ensembles d'évents recommandés sont offerts en trois longueurs :

**2 GAINES DE 3" EN ALUMINIUM À DOUBLE PAROI - PRISE D'AIR ET ÉVACUATION :**

GDI-320KT	ENSEMBLE D'ÉVENTS 20 PI
GDI-325KT	ENSEMBLE D'ÉVENTS 25 PI
GDI-335KT	ENSEMBLE D'ÉVENTS 35 PI

Bien que les gaines doivent être continues de l'appareil au chapeau de la cheminée, elles peuvent être raccordées pour obtenir la longueur désirée en utilisant une bague d'accouplement approuvée. Nous recommandons que la gaine d'évacuation qui traverse une zone non chauffée, telle que des cheminées extérieures de grande taille, soit enveloppée dans un manchon isolant, ceci afin de minimiser la condensation et les effets de refoulement. Pour plus de détails, consultez le guide de dépannage. Cet appareil est approuvé pour installation avec une gaine de 3" de diamètre pour la prise d'air et une gaine de 3" de diamètre pour l'évacuation.



A.

**À L'EXTÉRIEUR :** Glissez l'extrémité d'une gaine sur le manchon

de la terminaison en assurant un chevauchement minimal de 2". Fixez à l'aide de 3 vis. Scellez le joint et les têtes de vis avec du scellant à haute température. Répétez cette procédure pour l'autre gaine.

B.

Étirez doucement les gaines

jusqu'aux longueurs désirées et insérez-les dans la cheminée. Découpez et placez la plaque de raccord afin qu'elle s'adapte au chapeau de la cheminée.

Placez la terminaison par-dessus la cheminée. Rendez-la étanche en la scellant avec du cafitrage (non fourni). Fixez à la cheminée avec de vis et de chevilles (non fournies).

C.

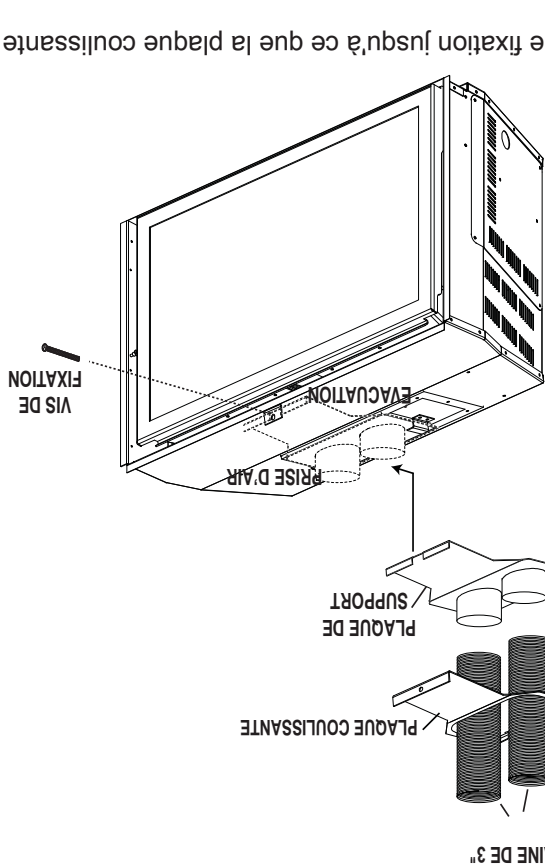
**À L'INTÉRIEUR :** Retirez la

vis de fixation du devant de l'assemblage de support des événements. Dégagez l'assemblage de support des événements de la

gaines flexibles à travers la plaque coulissante. Fixez les gaines à la plaque de support en vous assurant que la gaine d'évacuation identifiée est fixée au collet d'évacuation.

D.

Vous pouvez maintenant insérer l'appareil dans l'ouverture et engagez l'assemblage de plaque de support sur la glissière. Vissez de quelques tours la vis de fixation. Une fois l'appareil dans son emplacement définitif, serrez la vis de fixation jusqu'à ce que la plaque coulissante s'appuie sur le support de fixation à l'avant.





## ! AVERTISSEMENT

**RISQUE D'INCENDIE. CONSERVEZ LES DÉGAGEMENTS NÉCESSAIRES AU CONDUIT D'ÉVENT ET À L'APPAREIL.**

Retirez les cendres de l'appareil de chauffage au bois. Assurez-vous que la cheminée et l'appareil de chauffage au bois sont propres et en bon état et qu'ils sont construits avec des matériaux incombustibles. Si nécessaire, faites faire les travaux de réparation par une personne qualifiée avant d'installer l'encastrement. Enlevez le registre de l'appareil de chauffage au bois ou fixez-le en position ouverte.

À l'aide de vis, fixez l'étiquette d'avertissement à l'intérieur de la chambre de combustion de l'appareil existant, dans lequel l'encastrement sera installé. Les composants en tôle de l'appareil existant, dans lequel l'encastrement sera installé, ne doivent pas être sectionnés.

Si l'appareil de chauffage au bois ne possède pas de trou d'accès pour le raccordement au gaz, un trou d'accès de 1 1/2 pouce ou moins peut être pratiqué selon les règles du métier à travers les côtés inférieurs ou le plancher de l'appareil. Ce trou d'accès doit être bouché d'isolant incombustible une fois que le tuyau d'alimentation en gaz a été installé. Assurez-vous que la porte de la trappe de ramonage existante soit bien fermée. Les briques rétractaires, la porte vitrée, la glissière, le rideau pare-étincelles et les supports à bûches peuvent être retirés de l'appareil existant avant d'installer l'encastrement.

Les tablettes de fumée, les écrans et les déflecteurs peuvent être retirés s'ils sont fixés avec des attaches mécaniques. Les ouvertures de ventilation de l'appareil peuvent être obstruées par les plaques de fond, les moules en aluminium, etc., mais ces composants ne doivent pas être installés de façon à sceller hermétiquement les ouvertures.

### 3.1 MISE À NIVEAU DE L'ENCASTREMENT

Placez l'encastrement le plus près possible de son emplacement définitif. Cet appareil est muni de vis de réglage situées sur la base. Mettez à niveau, en vous servant des vis de réglage, afin d'éliminer les balancements et le bruit excessif lorsque la soufflerie est en marche. Une fois que l'appareil est à niveau, ne le mettez que partiellement en place afin d'effectuer tous les raccordements. Il est difficile de mettre à niveau l'encastrement une fois qu'il est installé. Déterminez la profondeur requise avant d'installer l'appareil, puis ajustez les vis de réglage en conséquence.

67.2

68.4A

**WARNING:** THIS FIREPLACE HAS BEEN CONVERTED FOR USE WITH A GAS FIREPLACE. INSERT ONLY AND CANNOT BE USED FOR BURNING WOOD OR SOLID FUELS UNLESS ALL ORIGINAL PARTS HAVE BEEN REPLACED AND THE FIREPLACE IS RE-APPROVED BY THE AUTHORITY HAVING JURISDICTION.

**ATTENTION:** CE FOYER A ÉTÉ CONVERTI AFIN D'ÊTRE UTILISÉ SEULEMENT COMME FOYER ENCASTRE AU GAZ ET NE PEUT ÊTRE UTILISÉ POUR BRÛLER DU BOIS OU TOUT AUTRE COMBUSTIBLE SOLIDE, SANS QUE TOUTES LES PIÈCES ORIGINALES AIENT ÉTÉ REMPLACÉES ET QUE LE FOYER SOIT APPROUVÉ DE NOUVEAU PAR LES AUTORITÉS AVANT JURISDICTION.

**ADVERTENCIA:** ESTA CHIMENEA SE REMODELO PARA USARSE SOLO CON UNA INSERCIÓN DE CHIMENEA A GAS Y NO PUEDE USARSE PARA QUEMAR MADERA NI COMBUSTIBLES SÓLIDOS, A MENOS QUE SE HAYAN REEMPLAZADO TODAS LAS PIEZAS ORIGINALES, Y LA AUTORIDAD JURISDICCIONAL LA HAYA VUELTO A APROBAR.

CERTIFIED UNDER / HOMOLOGUÉ SELON LES NORMES: ANSI Z21.88-2009, CSA 2-220-2009 VENTED GAS FIREPLACE APPAREL À GAZ VENTILÉS

DO NOT TURN ON IF CHILDREN OR OTHER AT RISK INDIVIDUALS ARE NEAR THE FIREPLACE. DIRECT VENT GAS FIREPLACE HEATER, SUITABLE FOR MOBILE HOME INSTALLATION ROOM INSTALLATION. SUITABLE FOR MOBILE HOME HEATER, SUITABLE FOR MOBILE HOME INSTALLATION IF INSTALLED IN ACCORDANCE WITH THE CURRENT STANDARD CAN/CSA 2240MH SERIES GAS EQUIPPED MOBILE HOMES, IN CANADA OR IN THE UNITED STATES THE MANUFACTURED HOME CONSTRUCTION AND SAFETY STANDARD, TITLE 24 CFR, PART 3280. WHEN THIS US STANDARD IS NOT APPLICABLE USE THE STANDARD FOR FIRE SAFETY CRITERIA FOR MANUFACTURED HOME INSTALLATIONS, SITES AND COMMUNITIES, ANSI / NFPA 501A.

**REFERENCE #161746**

**CERTIFIED FOR CANADA USA**

**CERTIFIED FOR**

**MODEL**

**ALTTUDE/ELEVATION**

**INPUT/ALIMENTATION**

**REDUCED INPUT/ALIMENTATION REDUITE**

**MANIFOLD PRESSURE: 3.5" WATER COLUMN**

**PRESSION AU COLLECTEUR: 3.5" D'UNE COLONNE D'EAU**

**MINIMUM SUPPLY PRESSURE: 4.5" WATER COLUMN**

**PRESSION D'ALIMENTATION MINIMALE: 4.5" D'UNE COLONNE D'EAU**

**MAXIMUM SUPPLY PRESSURE: 7.0" WATER COLUMN**

**PRESSION D'ALIMENTATION MAXIMALE: 7.0" D'UNE COLONNE D'EAU**

**APUE: 63.9%**

**CE Foyer à gaz ventilés ne doit pas être utilisé conjointement avec des filtres à air, utiliser avec les portes vitrées homologuées avec cette unité seulement. Un combustible solide ne doit pas être utilisé avec cet appareil.**

**AVERTISSEMENT: N'A JOUTEZ PAS A CET APPAREIL AUCUN MATERIAU DEVANT ENTRER EN CONTACT AVEC LES FLAMMES AUTRE QUE CELUI QUI EST FOURNI AVEC CET APPAREIL PAR LE FABRICANT.**

**CLASS : 115V, 15AMP, 60HZ**

**L'APPAREIL DOIT ÉVACUER SES GAZ EN UTILISANT L'ENSEMBLE D'ÉVACUATION PROPRE À WOLF STEEL. RÉFÉREZ-VOUS AU MANUEL D'INSTALLATION DE PROPRIÉTAIRE POUR L'ÉVACUATION PRÉCISE. IL EST IMPORTANT DE BIEN RÉINSTALLER ET RESCELLER L'ÉVENT APRÈS AVOIR ASSURÉ LE MAINTIEN DU SYSTÈME DE PRISE D'AIR.**

**ATTENTION - POUR L'INSTALLATION DANS UN Foyer VENTILÉ EN MACONNERIE, LES DIMENSIONS MINIMUMS SONT: HAUTEUR 19.25", PROFONDEUR 13.25", LARGEUR 29". LE DIMAÏTRE INTÉRIEUR MINIMUM DE CONDUIT D'ÉVACUATION EST DE 6". LA DISTANCE MINIMALE, DU BAS DU MANTOU COMBUSTIBLE FORMANT UNE PROJECTION MAXIMALE DE 3" DU MUR AU DESSUS DE LA GARANTURE NORMALE EST 12". RÉFÉREZ-VOUS AU MANUEL D'INSTALLATION POUR DES EXTENSION PLUS GRANDES.**

**SOUFFLERIE OPTIONELLE GZ550-KT, GDES.**

**SERIAL NUMBER/NO. DE SERIE: IR3G/CIR3G**

**W385-0659**

**WOLF STEEL LTD.**

**24 NAPOLEON ROAD, BARRIE, ONTARIO L4M 4Y8 CANADA**

**OPTIONAL FAN KIT - GZ550-KT, GDES.**

**MANUAL FOR GREATER EXTENSIONS.**

**PROJECTING A MAXIMUM 3" FROM THE WALL TO THE TOP OF THE UNIT IS 12". SEE OWNERS' FILE SIZE IS THE MINIMUM DISTANCE FROM THE BOTTOM OF A COMBUSTIBLE MANTLE.**

**MINIMUM FIREPLACE SIZE IS 12" DEPTH (29"), WIDTH 29". THE MINIMUM INSIDE WARNING: FOR INSTALLATION INTO A VENTED NON-COMBUSTIBLE FIREPLACE ONLY. THE RESEARCH IS NECESSARY AFTER SERVING THE VENT-AIR INTAKE SYSTEM.**

**OWNER'S INSTALLATION MANUAL FOR VENTING SPECIFICS. PROPER REINSTALLATION AND THE APPLANCE MUST BE VENTED USING THE APPROPRIATE WOLF STEEL VENT KITS. SEE ELECTRICAL RATING: 115V 15AMP 60HZ.**

**WITH THE APPLANCE.**

**CONTACT WITH THE FLAMES, OTHER THAN THAT SUPPLIED BY THE MANUFACTURER**

**WARNING: DO NOT ADD ANY MATERIAL TO THE APPLANCE THAT WILL COME IN CONTACT WITH THE APPLANCE.**

**FOR THIS UNIT ONLY, NOT FOR USE WITH SOLID FUEL.**

**THIS REPLACE GAS FIREPLACE HEATER IS NOT FOR USE WITH AIR FILTERS, FOR USE WITH GLASS DOORS CERTIFIED**

**INSTALLATEUR : Il est de votre responsabilité de cocher les cases appropriées sur la plaque d'homologation correspondant au modèle, au type d'évacuation et au type de gaz de l'appareil.**

Pour l'emplacement de la plaque d'homologation, voir la section « VUE D'ENSEMBLE DE L'INSTALLATION ».

Cette illustration est à titre de référence seulement. Consultez la plaque d'homologation pour obtenir l'information précise.

**NOTE: La plaque d'homologation doit rester avec le pliancé à tout instant. Il ne doit pas être enlevé.**

2.4

INFORMATION GÉNÉRALE  
POUR VOTRE SATISFACTION, CE FOYER A ÉTÉ MIS À L'ESSAI POUR CONFIRMER SON  
FONCTIONNEMENT ET SA QUALITÉ!

<b>IR3G</b>		
Altitude (P1)	0-4,500	0-4,500
Débit maximum (BTU/HR)	24,000	24,000
Rend. max. (BTU/HR)	19,200	19,200
Efficacité (Avec la soufflerie allumée)	80%	80%
A.F.U.E. (Valeur maximale)	77%	77%
Pression minimale d'alimentation en gaz	4.5" Water Column	11" Water Column
Pression maximale d'alimentation en gaz	7" Water Column	13" Water Column
Pression du collecteur (lorsque le gaz circule)	3.5" Water Column	10" Water Column

Lorsque l'appareil est installé à des élévations dépassant 4 500 pieds, et en l'absence de recommandations spécifiques de l'autorité compétente locale, l'indice certifié du débit à haute altitude devra être réduit au taux de 4 % pour chaque 1 000 pieds supplémentaires. Les bruits causés par l'expansion et la contraction lors des cycles de chauffage et de refroidissement sont tout à fait normaux et il faut s'y attendre.

Cet appareil n'est pas approuvé pour installation dans un placard ou en retrait. Il est approuvé pour installation dans les salles de bain, les chambres à coucher et les chambres studio et convient pour installation dans les maisons mobiles. Le modèle au gaz naturel peut être placé dans une maison mobile installée en permanence et alimentée au gaz naturel.

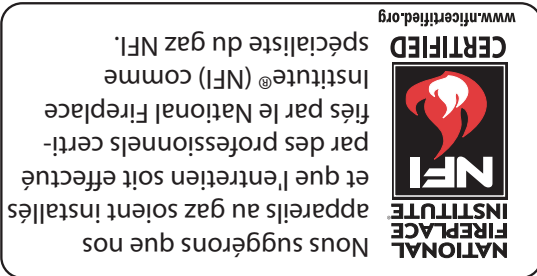


L'installation doit se conformer aux codes locaux. En l'absence de codes locaux, l'installation doit être conforme au Code d'installation du gaz naturel et du propane CSA B149.1 au Canada ou au National Fuel Gas Code, ANSI Z223.1/ NFPA 54 aux États-Unis. Cet appareil convient pour installation dans une maison mobile si l'installation est conforme aux normes actuelles pour les maisons mobiles équipées au gaz CAN/CSA Z240 SÉRIE MIM au Canada ou selon les normes ANSI Z223.1 et NFPA 54 aux États-Unis.

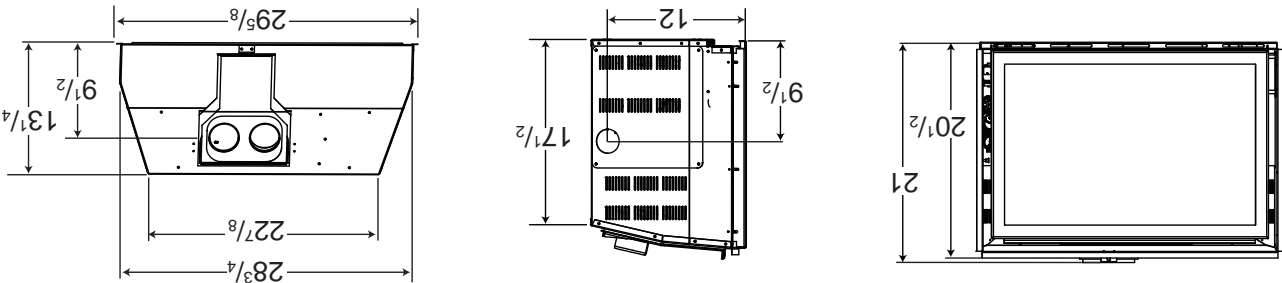
Tant que les distances requises pour les dégagements aux matériaux combustibles sont respectées, le meilleur endroit pour un appareil est le centre de la maison, car ceci permet une meilleure utilisation de la chaleur fournie. L'emplacement des fenêtres, des portes et la circulation dans la pièce où se trouve l'appareil devront être pris en considération. Si possible, vous devrez choisir un emplacement où le système d'évent peut passer à travers la maison sans avoir à découper des solives de plancher ou de toit. Si l'appareil est installé directement sur un tapis, sur une surface de vinyle ou tout autre revêtement de plancher combustible autre que le bois, l'appareil devra être monté sur un panneau continu de métal ou de bois se prolongeant sur toute la largeur et la profondeur.

Certains appareils ont une soufflerie ou un ensemble de deux souffleries optionnel. Si la soufflerie ou l'ensemble de deux souffleries optionnel est installé, la boîte de dérivation doit être branchée au circuit électrique et mise à la terre conformément aux codes locaux. Utilisez la version courante du Code canadien de l'électricité CSA C22.1 au Canada ou le National Electrical Code ANSI/NFPA 70 aux États-Unis.

4.1A



2.1 DIMENSIONS



2.2 DÉGAGEMENTS MINIMAUX AUX MATÉRIAUX COMBUSTIBLES

Cet appareil ne doit être encastré que dans un foyer à bois ventilé incombustible (préfabriqué ou en maçonnerie). L'appareil dans lequel l'encastrement est installé doit avoir les dimensions minimales suivantes :

**HEIGHT 21 1/2" WIDTH 29" DEPTH \*13 1/2"**

**Le diamètre minimal du conduit de la cheminée doit être de 7" rond.**

**\* Ajoutez 4" pour la soufflerie optionnelle.**

La distance minimale entre le dessous d'une tablette décorative combustible qui ressort un maximum de 3" et le haut de l'ouverture des persiennes est de 14" (voir la section DÉGAGEMENTS MINIMAUX DE LA TABLETTE).

2.3 INSTRUCTIONS GÉNÉRALES

! AVERTISSEMENT
ALLUMEZ TOUJOURS LA VEILLEUSE, QUE CE SOIT POUR LA PREMIÈRE FOIS OU LORSQUE L'APPROVISIONNEMENT EN GAZ EST ÉPUISÉ, AVEC LA PORTE VITRÉE OUVERTE OU RETIRÉE. PRÉVOYEZ UN ACCÈS SUFFISANT POUR ENTREtenir ET OPÉRER L'APPAREIL. ASSUREZ-VOUS D'UNE QUANTITÉ SUFFISANTE D'AIR DE VENTILATION.
N'OBSTRUEZ JAMAIS L'OUVERTURE DE L'APPAREIL.
LES OBJETS PLACÉS DEVANT L'APPAREIL DOIVENT ÊTRE GARDÉS À UNE DISTANCE D'AU MOINS 48" DE LA FACE VITRÉE DE L'APPAREIL.
LES SURFACES AUTOUR ET SURTOUT AU-DESSUS DE L'APPAREIL PEUVENT DEVENIR CHAUDES. NE TOUCHEZ PAS L'APPAREIL QUAND IL FONCTIONNE.
RISQUE D'INCENDIE OU D'EXPLOSION.
LES PRESSIONS ÉLEVÉES ENDOMMAGERONT LA SOUPAPE. L'ALIMENTATION EN GAZ DOIT ÊTRE DÉBRANCHÉE PENDANT LES ESSAIS DE PRESSION DE CE SYSTÈME LORSQUE LES PRESSIONS D'ESSAI EXCÈDENT 1/2 LB/PO <sup>2</sup> (3,5 KPA). FERMEZ LA SOUPAPE D'ARRÊT MANUELLE PENDANT TOUT ESSAI DE PRESSION DU SYSTÈME D'ALIMENTATION EN GAZ LORSQUE LA PRESSION EST DE 1/2 LB/PO <sup>2</sup> (3,5 KPA) OU MOINS.
N'UTILISEZ QUE LES ACCESSOIRES OPTIONNELS ET LES PIÈCES DE RECHANGE APPROUVÉES PAR WOLF STEEL POUR CET APPAREIL. L'UTILISATION D'ACCESSOIRES NON LISTÉS (SOUFFLERIE, PORTES, PERSIENNES, MOULURES, COMPOSANTS DE GAZ, COMPOSANTS D'ÉVACUATION, ETC.) POURRAIT ÊTRE NON SÉCURITAIRE ET ANNULER LA GARANTIE ET LA CERTIFICATION.

**CET APPAREIL AU GAZ DEVRAIT ÊTRE INSTALLÉ ET ENTRETENU PAR UN INSTALLATEUR QUALIFIÉ** en se conformant aux codes locaux. Les pratiques d'installation peuvent varier d'une région à l'autre. Il est donc important de connaître les normes spécifiques qui s'appliquent à votre région. Par exemple dans l'état du Massachusetts:

- Ce produit doit être installé par un plombier certifié ou un installateur pour le gaz lorsque installé dans le Commonwealth du Massachusetts;
- Le registre de l'appareil doit être enlevé ou bloqué en le soudant en position ouverte avant d'installer un encastrement ou un ensemble de bûches à gaz;
- La soupape d'arrêt doit être un robinet à gaz avec une poignée en T;
- Le raccord flexible ne doit pas mesurer plus que 36 pouces;
- Un détecteur de monoxyde de carbone est requis dans toutes les pièces contenant des appareils alimentés au gaz;
- L'appareil n'est pas approuvé pour installation dans une chambre à coucher ou une salle de bain à moins d'être un appareil avec une chambre de combustion scellée à évacuation directe.

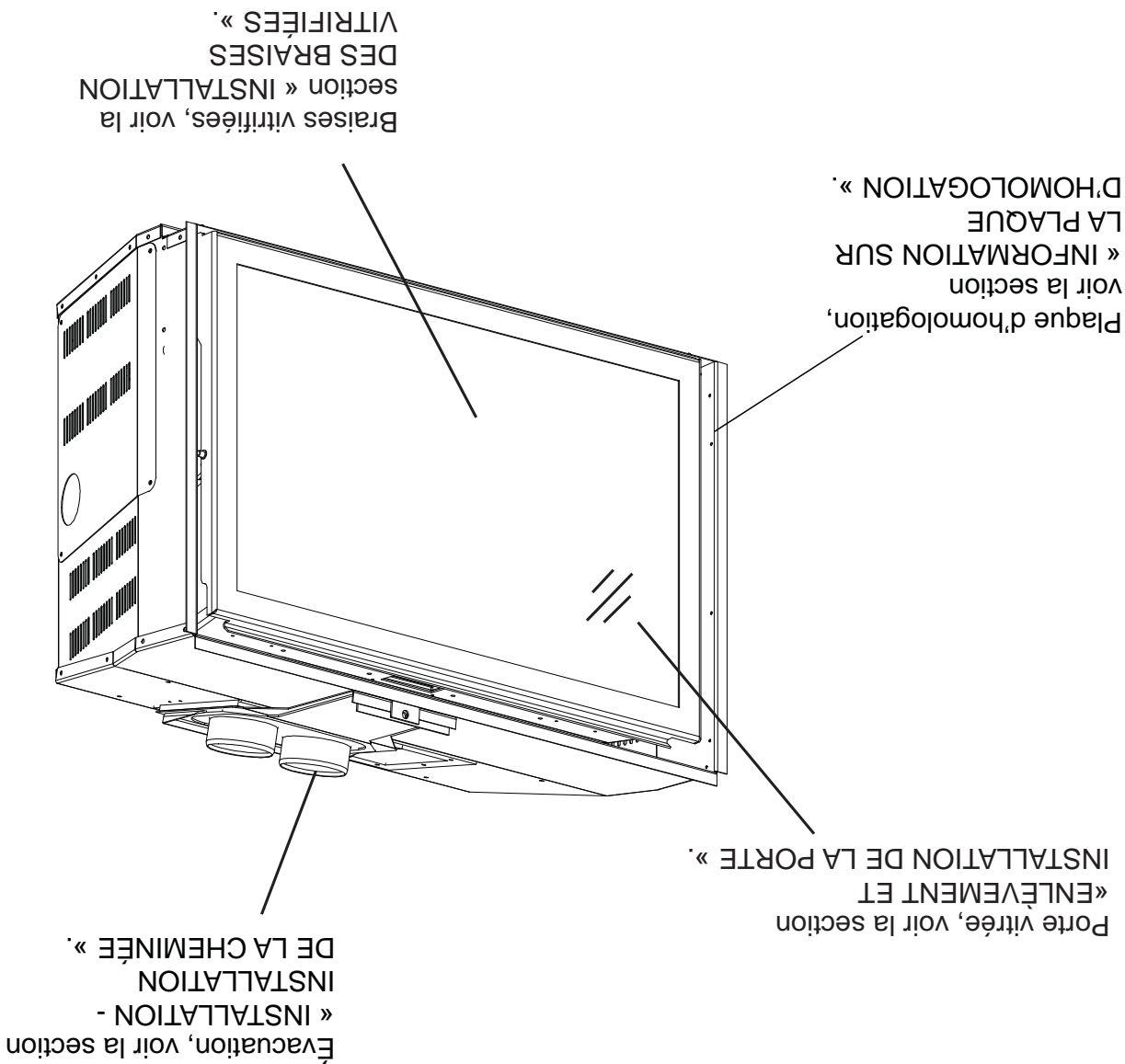
## ! AVERTISSEMENT

### CET APPAREIL EST CHAUD LORSQU'IL FONCTIONNE ET PEUT CAUSER DE GRAVES BRÛLURES EN CAS DE CONTACT.

- Ne faites pas fonctionner l'appareil avant d'avoir lu et compris les instructions d'opération. Omettre d'utiliser l'appareil selon les instructions d'opération pourrait causer un incendie ou des blessures.
- Risque d'incendie ou d'asphyxie. Ne faites pas fonctionner l'appareil avec la vitre retirée.
- Ne branchez pas la soupape à du courant 110 volts.
- Risque de brûlures. L'appareil doit être éteint et refroidi avant d'effectuer un entretien.
- N'installez pas de composants endommagés ou incomplets ni des composants substitués.
- Risque de coupures et d'éraflures. Portez des gants protecteurs et des lunettes de sécurité lors de l'installation. Les bordures des pièces de métal peuvent être coupantes.
- Ne brûliez pas de bois ou autres matériaux dans cet appareil.
- Les enfants et les adultes devraient être informés des dangers que posent les températures de surface élevées et se tenir à distance afin d'éviter des brûlures ou que leurs vêtements ne s'enflamment.
- Les jeunes enfants doivent être surveillés attentivement lorsqu'ils sont dans la même pièce que l'appareil. Les jeunes enfants et autres personnes à risque sont sujets aux brûlures accidentelles. Une barrière de protection est recommandée si des individus à risque se trouvent dans la maison. Afin de restreindre l'accès à l'appareil, installez une barrière de protection ajustable pour garder les jeunes enfants ou autres personnes à risque hors de la pièce et loin des surfaces chaudes.
- Les vêtements et autres matériaux combustibles ne doivent pas être posés sur l'appareil ou à proximité.
- En raison des températures élevées, l'appareil devrait être placé loin des endroits passants et loin des meubles et des rideaux.
- Assurez-vous de disposer de mesures de sécurité adéquates pour empêcher les jeunes enfants de toucher aux surfaces chaudes.
- Même une fois que l'appareil est éteint, la vitre et/ou le pare-étincelles demeureront chauds pendant un temps prolongé.
- Consultez votre détaillant local de foyer pour connaître les grillages de sécurité et les écrans offerts pour protéger les enfants des surfaces chaudes. Ces grillages de sécurité et ces écrans doivent être fixés au plancher.
- Les grillages de sécurité ou écrans enlevés pour faire l'entretien devront être remis en place avant d'utiliser l'appareil.
- Cet appareil est un appareil à gaz ventilé. Ne brûliez pas de bois ou autres matériaux dans cet appareil.
- Il est primordial de garder propres les compartiments de contrôle, les brûleurs, la soufflerie, les bouches d'air de l'appareil ainsi que le système d'évacuation. L'appareil et son système d'évacuation doivent être inspectés avant la première utilisation et au moins une fois l'an par un spécialiste en entretien. Un entretien plus fréquent pourrait être nécessaire en raison des peluches provenant des tapis, literie, etc. L'emplacement de l'appareil doit être gardé libre de tous matériaux combustibles, essence ou autres liquides et vapeurs inflammables.
- Cet appareil ne devra être modifié en aucun cas.
- Cet appareil ne doit pas être raccordé au conduit d'une cheminée desservant un autre appareil de chauffage à combustible solide.
- N'utilisez pas cet appareil si une partie quelconque a été submergée. Contactez immédiatement un technicien de service qualifié pour inspecter l'appareil et pour remplacer toute pièce du système de contrôle et du contrôle du gaz qui aurait été submergée.
- Ne pas opérer l'appareil lorsque la porte vitrée est enlevée, fissurée ou brisée. Le remplacement de la vitre devra être effectué par un technicien de service certifié ou qualifié.
- Ne frappez pas et ne cliquez pas la porte vitrée de l'appareil.
- Les portes d'évacuation de pression doivent demeurer fermées pendant le fonctionnement de l'appareil afin d'empêcher les gaz de combustion contenant du monoxyde de carbone de s'infiltrer dans la maison. La température des gaz de combustion s'échappant par ces ouvertures peut aussi causer les matériaux combustibles avoisinants à surchauffer et à prendre feu.
- Seules les portes/fagades certifiées pour cet appareil peuvent être utilisées avec cet appareil.
- Gardez les matériaux d'emballage hors de la portée des enfants et mettez ces matériaux au rebut de façon sécuritaire.
- Comme tous les emballages de plastique, ces matériaux ne sont pas des jouets et doivent demeurer hors de la portée des enfants et des bébés.
- Comme dans le cas de tout appareil à combustion, il est recommandé de faire inspecter et entretenir votre appareil régulièrement. De même, installez un détecteur de monoxyde de carbone dans la pièce pour vous protéger, ainsi que votre famille, contre les intoxications.
- Assurez-vous de respecter les dégagements aux matériaux combustibles lorsque vous installez un manteau ou des tablettes au-dessus de l'appareil. Les températures élevées sur le mur ou de l'air au-dessus de l'appareil peuvent faire fondre, décolorer ou endommager les décorations, les téléviseurs ou autres composants électroniques.

3.2B

# 1.0 VUE D'ENSEMBLE DE L'INSTALLATION



## TABLE DES MATIÈRES

3	1.0	VUE D'ENSEMBLE DE L'INSTALLATION
4	2.0	INTRODUCTION
5	2.1	DIMENSIONS
5	2.2	DÉGAGEMENTS MINIMAUX AUX MATÉRIAUX COMBUSTIBLES
5	2.3	INSTRUCTIONS GÉNÉRALES
6	2.4	INFORMATION GÉNÉRALE
7	2.5	PLAQUE D'HOMOLOGATION
8	3.0	INSTALLATION
8	3.1	MISE À NIVEAU DE L'ENCASTRE
9	3.2	INSTALLATION DE LA CHEMINÉE
10	3.3	BRANCHEMENT DU GAZ
11	4.0	FINITIONS
11	4.1	DÉGAGEMENTS MINIMAUX DE LA TABLETTE
12	4.2	ENLÈVEMENT ET INSTALLATION DE LA PORTE
12	4.3	INSTALLATION DES BRAISES VITRIFIÉES
13	4.4	MISE EN PLACE DU LOGO
13	4.5	INSTALLATION DES PILES
14	5.0	INFORMATION ÉLECTRIQUE
14	5.1	SCHEMA DE CÂBLAGE
15	6.0	FONCTIONNEMENT
15	6.1	INSTRUCTIONS D'OPÉRATION ET D'ALLUMAGE
16	6.2	DESSIN GÉNÉRAL DE LA TÉLÉCOMMANDE
16	6.3	FONCTIONNEMENT DE L'APPAREIL
16	6.4	FONCTIONNEMENT DE LA TÉLÉCOMMANDE
17	6.5	AFFICHEUR DE TEMPÉRATURE
17	6.6	THERMOSTAT DE PIÈCE
17	6.7	THERMOSTAT INTELLIGENT
17	6.8	HAUTEUR DE LA FLAMME
18	6.9	FONCTION DE SÉCURITÉ POUR ENFANTS
18	6.10	LUMIÈRE DE VEILLE
18	6.11	PILES FAIBLES / DÉRIVATION MANUELLE
19	6.12	EN CAS DE PANNÉE DE COURANT
19	6.13	MODULE DE CONTRÔLE
20	6.14	MINUTERIE DE SOUFFLERIE
20	6.15	L'INTERRUPTEUR ANTICONDENSATION (OPTIONNELLE)
21	7.0	RÉGLAGES
21	7.1	RÉGLAGE DE LA VEILLEUSE
21	7.2	RÉGLAGE DU VENTURI
22	7.3	CARACTÉRISTIQUES DE LA FLAMME
23	8.0	ENTRETIEN
23	8.1	SOINS DE LA VITRE
24	8.2	SOINS DES PIÈCES PLAQUÉES
24	8.3	REMPLACEMENT DE LA VITRE DE PORTE
25	8.4	L'INSTALLATION DU PLATEAU BRAISES VITRIFIÉS
25	8.5	REMPLACEMENT DU MODULE SOUFFLEUR
26	8.6	REMPLACEMENT DE LA LUMIÈRE DE VEILLE
26	8.7	REMPLACEMENT DE L'ASSEMBLAGE DE LA SOUPAPE
27	9.0	RECHANGES
30	10.0	GUIDE DE DÉPANNAGE
33	11.0	GARANTIE
34	12.0	HISTORIQUE D'ENTRETIEN

**NOTE :** Les changements autres que de nature éditoriale sont dénotés par une ligne verticale dans la marge.

INSTALLATEUR : LAISSEZ CE MANUEL AVEC L'APPAREIL.  
 PROPRIÉTAIRE : CONSERVEZ CE MANUEL POUR CONSULTATION ULTÉRIEURE.  
 NE LAISSEZ PAS LES ENFANTS OU AUTRES INDIVIDUS À RISQUE SEULS À PROXIMITÉ DE L'APPAREIL.

# INSTRUCTIONS D'INSTALLATION ET D'OPÉRATION

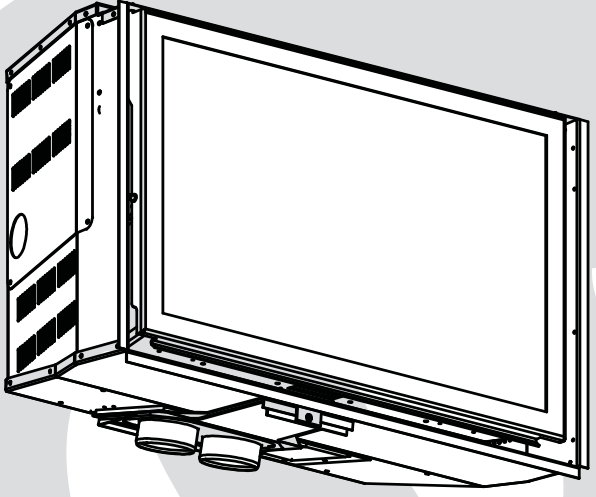


HOMOLOGUÉ SELON LES NORMES CANADIENNES ET AMÉRICAINES : CSA 2.33, ANSI Z21.88 POUR LES APPAREILS DE CHAUFFAGE À GAZ VENTILÉS.

**IR3GN**  
 GAZ NATUREL

---

**IR3GP**  
 PROPANE



## AVERTISSEMENT

LA VITRE CHAUDE CAUSERA  
 DES BRÛLURES.  
 NE PAS TOUCHER LA VITRE  
 AVANT QU'ELLE AIT REFRIDI.  
 NE JAMAIS LAISSER LES  
 ENFANTS TOUCHER LA VITRE.



## CONSIGNES DE SÉCURITÉ

Si ces instructions ne sont pas suivies à la lettre, un incendie ou une explosion pourrait s'ensuivre, causant des dommages matériels, des blessures corporelles ou des pertes de vie.

- N'entrez pas et n'utilisez pas d'essence ou autres liquides et vapeurs inflammables à proximité de cet appareil ou tout autre appareil.
- QUE FAIRE SI VOUS DÉTECTEZ UNE ODEUR DE GAZ :
  - N'allumez aucun appareil.
  - Ne touchez à aucun interrupteur électrique;
  - n'utilisez aucun téléphone dans votre immeuble.
  - Appelez immédiatement votre fournisseur de gaz d'un téléphone voisin. Suivez ses instructions.
  - Si vous ne pouvez pas rejoindre votre fournisseur de gaz, appelez le service des incendies.
- L'installation et l'entretien doivent être faits par un installateur qualifié, une agence d'entretien ou le fournisseur.

Cet appareil peut être installé dans une maison préfabriquée (mobile) déjà installée à demeure si les règlements locaux le permettent.

Cet appareil doit être utilisé uniquement avec le type de gaz indiqué sur la plaque signalétique. Cet appareil ne peut être converti à d'autres gaz, sauf si une trousse de conversion est utilisée.

