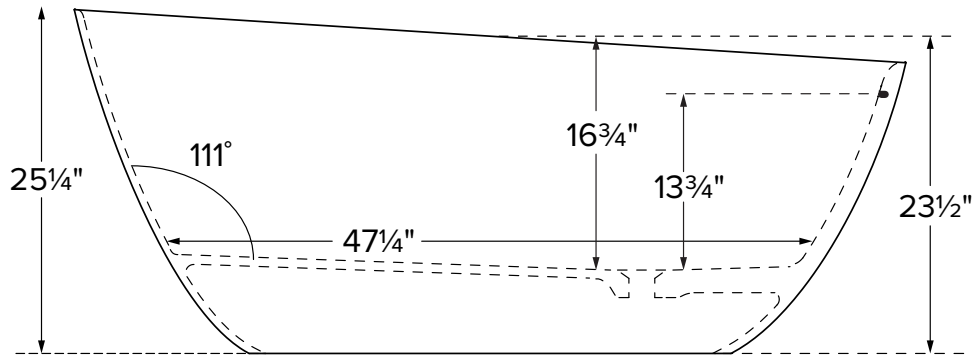
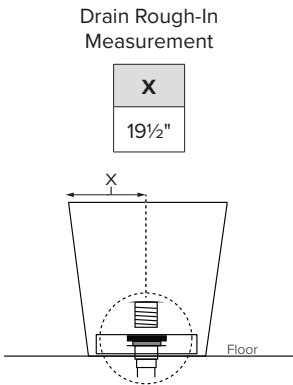
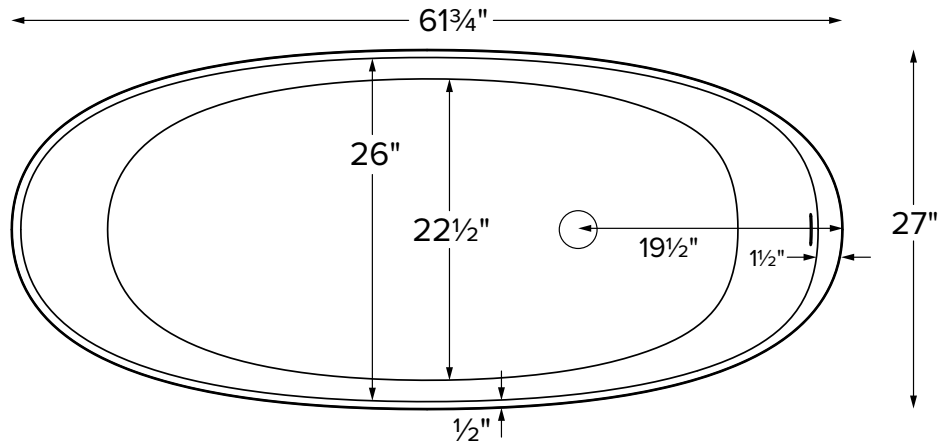


Walker



Features an integrated overflow

MODEL 409
61.75" x 27" x 23.5"
FREESTANDING 81 gal to overflow
Mineral Composite
199 lbs / 90 kg soaker
Filling this tub to the maximum may require an above average size or dedicated water heater.



ELECTRICAL COMPONENTS & SPECIFICATIONS		
Required Electrical Service - 110 Volt		
Hydrotherapy Package	Components Included	GFCI
Air Massage	heated blower	1-15 amp
Electrical requirements may change with the addition of optional therapy components. See specific option details or installation information. CSA Certified C/US; B45.5/IAPMO ANSI Z124.1 and ANSI 112.19.7		

ORDERING AND INSTALLATION

- Before ordering or installing, please consider future access to equipment.
- Integrated overflow with toe tap drain included.
- Air baths require job site preparations for remote mounting the blower and required check valve. Check valve must be installed higher than the rim of the tub.
- Waterproof remote control included. Keypad is shipped loose and may be mounted nearby.
- Faucet valves cannot be installed on this tub model.

See the Installation & Operation Manual for more details.
 MTI's Customer Service: Monday-Friday 8am-6pm EST
 800-783-8827 or service@mtibaths.com

• Before discarding tub packaging, check for accessories that may be packaged inside.
 • All product measurements are ±1/2".
 • Specifications and configurations are subject to change without notice.
 • Measurements herein supersede all others published prior to publication date below.



For more information on options and accessories go to Cosmopolitan Mineral Composite Tubs Options on mtibaths.com

- Blower & required check valve for airbath must be remote mounted
- Check valve must be installed higher than the rim of the tub.

Walker
 MODEL # 409
 61.75" x 27" x 23.5"

Hydrotherapy	Package Contents	Finish/Color	Part #	MSRP
Soaker	Soaking bath - no jets. Includes an integrated slotted overflow with white toe-tap drain kit. See Options below for Exterior Color/Finish codes.	Gloss White	S409	\$6,500
		Exterior Matte White	S409M	\$7,100
		Exterior Matte Color	S409V	\$7,550
Air Bath	20 air jets, heated air blower, keypad, waterproof remote control, integrated slotted overflow with white toe-tap drain kit. See Options below for Exterior Color/Finish codes.	Gloss White	AST409	\$10,705
		Exterior Matte White	AST409M	\$11,305
		Exterior Matte Color	AST409V	\$11,755

Options <i>Must be ordered at time of purchase</i>
Exterior Color/Finish White, matte finish (MWH) Gray, matte finish only (MGY) Black, matte finish only (MBK)
Recommended Drain Kits
OS&B 500Q Series PVC (included with tub) OS&B Euroclicker-FA-XXX Brass Westbrass D98LTBAA-XX Mountain Plumbing BDWOF-ST

Accessories
Drain Kit Accessories Brass Tailpiece (WIOBS) \$85 (not compatible with OS&B 500Q) Quick Drain Kit (WOQ) \$460
Pillows from \$180
Teak Bath Mat (TKMAT3018) \$815 <i>Custom sizes also available. Contact MTI for details and pricing.</i>



Inside view of tub

