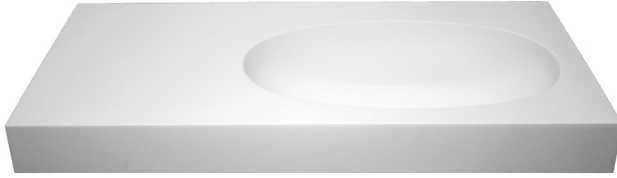


Akana 2

MODEL # MTCS-736D  
36" x 18.5" x 5.75"



Shown with right hand bowl

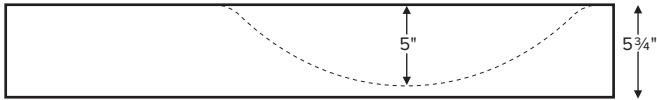
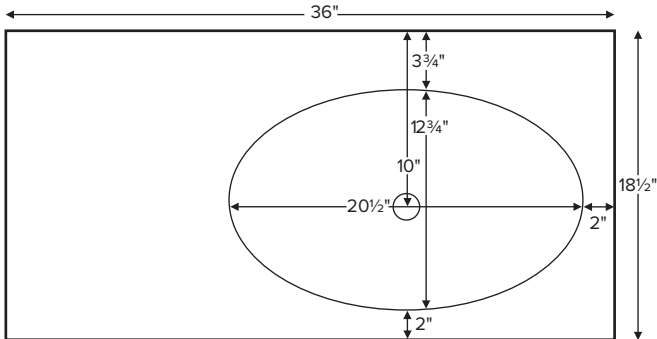
GENERAL SPECIFICATIONS

**Material** - SculptureStone®

**Installation** - Wall-Mounted

**Shipping Weight** - 42 lbs

*Due to the handcrafted nature of this product, please allow for a tolerance of up to ±½" for overall dimensions*



\*Must be specified with left or right side bowl

1" x 12" carrier arms  
(CAWM2)  
recommended for  
installation



**CONSTRUCTION AND STANDARD FEATURES**

- Single-bowl design; 1.5" drain opening.
- Sink comes without an overflow. Check local codes. Optional integrated overflow is available.
- Wall-mount sinks have an open back to accommodate carrier arms for installation. Mounting hardware is not included. See installation manual for more details.
- Sink comes without faucet holes; up to 3 holes drilled by MTI at no additional charge.
- One-piece construction using Engineered SculptureStone® (ESS) material.
- This material is non-porous, stain-, mold- and mildew-resistant.
- Approximately 70% of the material is organic, including minerals mined from the earth, making it "Green".
- Five-Year Limited Residential Warranty.

| PART #    | PRICE          |   |
|-----------|----------------|---|
| MTCS736D* | <b>\$1,175</b> | <b>Packaging / Handling Fee Applies</b> |

**Options**

Must be ordered at time of purchase

**Standard Color** (CWH) White

**Color Upgrade** (CBI) **\$265** Biscuit

**Optional Gloss Finish Upcharge** - For White or Biscuit

(SSGLOSSSNK) **\$310**

Additional material colors available for projects only. Please call MTI.

**Integrated Overflow**

Front Bowl Installation (CIOF) **\$150**

**Faucet Holes** - comes standard without faucet holes

**1-3 Holes** (CFH) **\$50**

**Quick Ship** - reduces lead time - please call for availability

(QSPRI3) **\$226**

**Countertop Options**

Backsplash (CBSM) **\$325**

Addition of a backsplash may limit space available for faucet valve.

**Accessories**

**1" Carrier Arms** set of 2 (CAWM2) **\$250** For wall-mount installation

**Drain Kits**

**Finger Touch Drain**

Without Overflow

Chrome (DKFGCN) **\$130**

Brushed Nickel (DKFGBNN) **\$140**

**Finger Touch Drain**

With Overflow

Chrome (DKFGC) **\$140**

Brushed Nickel (DKFGBN) **\$140**

**Grid Drain**

Without Overflow

Chrome (DKGDCN) **\$100**

Brushed Nickel (DKGDBNN) **\$135**

**Grid Drain**

With Overflow

Chrome (DKGDC) **\$100**

Brushed Nickel (DKGDBN) **\$135**

**Fixed Drain Without Overflow**

Chrome (DKFDC) **\$235**

