

# Boutique Collection Tubs

## Juliet

MODEL #: 185

72" x 36" x 22"/23"

### GENERAL SPECIFICATIONS

**Material** - SculptureStone®

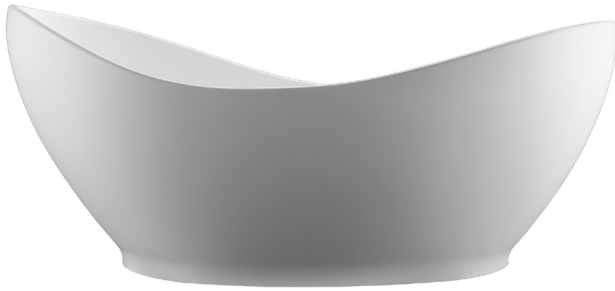
**Installation** - Freestanding

**Soaker Weight** - 340 lbs / 154 kg

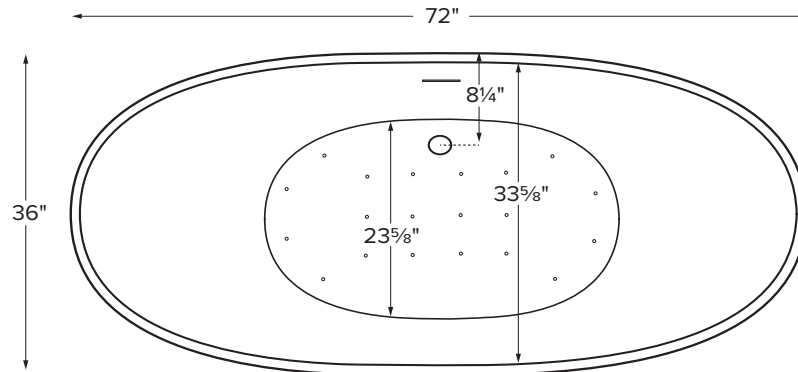
**Air Bath Weight** - 370 lbs / 168 kg

**Maximum Fill** - 102 gal to overflow

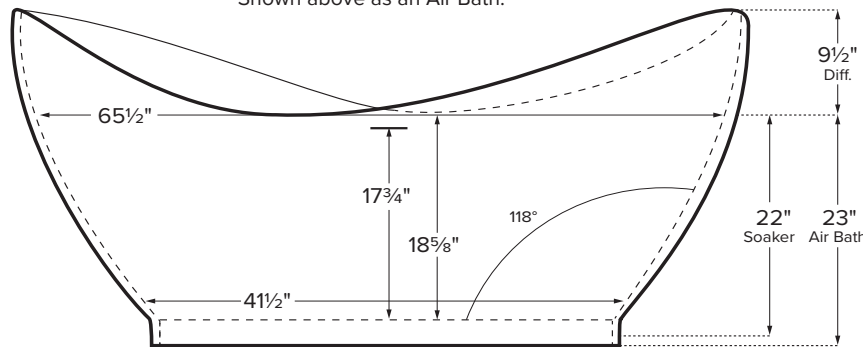
*NOTE: Filling this tub to the maximum may require an above average size or dedicated water heater.*



Features an integrated overflow.



Shown above as an Air Bath.



### ELECTRICAL COMPONENTS & SPECIFICATIONS

**Required Electrical Service** - 110 Volt

Hydrotherapy Package	Components Included	GFCI
<b>Air Massage</b>	heated blower	1-15 amp

CSA Certified C/US; ANSI Z124.1 and ANSI 112.19.7

See the Installation & Operation Manual for more details.

MTI's Customer Service: Monday-Friday 8am-6pm EST

800-783-8827 or service@mtibaths.com

### IMPORTANT ORDERING & INSTALLATION INFORMATION

- Before ordering or installing, please consider future access to equipment.
- Includes an integrated overflow with toe tap drain in chrome finish. May be specified without an overflow (see local codes before ordering without an overflow).
- Air baths require job site preparation for remote installation of the blower and required check valve. Check valve must be installed higher than the rim of the tub.
- Waterproof remote control included with air bath. Keypad shipped loose may be remote mounted on nearby surface/wall.
- Faucet valves cannot be mounted on this tub model.

- Before discarding tub crate, check for accessories that may be packaged inside.
- All product measurements are  $\pm 1/2$ ".
- Specifications and configurations are subject to change without notice.
- Measurements herein supersede all others published prior to publication date below.

CSA # MTCT-185

©2022 by MTI Baths, Inc. Modification Rights Reserved

1 of 2



Rev. 01 19 2022

For more information on options and accessories go to SculptureStone® Tubs Options on mtibaths.com

**Juliet**  
MODEL #: 185  
72" x 36" x 22"/23"

- Blower & required check valve for airbath must be remote mounted. Check valve must be installed higher than the rim of the tub.
- See the Installation & Operation Manual for more details.

Hydrotherapy	Package Contents	Part #	MSRP	
<b>Soaker</b>	Soaking bath - no jets. Includes an integrated slotted overflow with a toe-tap drain kit. • Overall soaker height at the backrest is 31.5" and step in height is 22".	<b>S185</b>	<b>\$9,825</b>	<b>Crate / Handling Fee Applies</b>
<b>Air Bath</b>	20 air jets, heated air blower, keypad, waterproof remote control, integrated slotted overflow with a toe-tap drain kit. • Overall air bath height at the backrest is 32.5" and step in height is 23".	<b>AST185</b>	<b>\$15,215</b>	<b>Crate / Handling Fee Applies</b>

Options <small>Must be ordered at time of purchase</small>
Quick Ship (QSPRI2) <b>\$1,025</b> reduces lead time <i>Please call for availability</i>
Standard Color White, matte finish Biscuit Color Upgrade (SSBI) <b>\$310</b> matte finish <i>Additional material colors available for projects only. Please call MTI.</i>
Hand-Polished Deep Gloss Finish (SSGLOSS) <b>\$1,040</b> upcharge For white or biscuit

Accessories	
Teak Bath Mat (TKMAT3018) <b>\$815</b> Measures 30" x 17.5" x 1" <i>Custom sizes also available. Contact MTI for details.</i>	
Floor-Mounted High-Flow Tub Filler	
Contemporary Chrome (FILLC) <b>\$1,480</b> Br. Nickel (FILLBN) <b>\$1,710</b>	Traditional Chrome (FILLTC) <b>\$1,505</b> Br. Nickel (FILLTBN) <b>\$1,745</b>

Boutique Accessories	
<b>Packaging / Handling Fee Applies</b>	
SculptureStone® Bathroom Table (TABLE) <b>\$825</b> matte finish <b>+\$430</b> gloss finish upcharge (SSGLOSSSNK) <i>Order with tub for best color match</i>	
SculptureStone® Standard Faucet Stand	
Small - 3-hole capacity 14¼" w x 21¾" h Matte (STAND) <b>\$725</b>	Large - 5-hole capacity 22" w x 21¾" h Matte (STANDL) <b>\$855</b>
<b>+\$430</b> gloss finish upcharge (SSGLOSSSNK)	
SculptureStone® Premium Faucet Stand	
<b>15" w x 39" h</b> Matte (SSFSR3915MT) <b>\$2,365</b> Gloss (SSFSR3915GL) <b>\$2,720</b>	<b>10" w x 39" h</b> Matte (SSFSR3910MT) <b>\$2,135</b> Gloss (SSFSR3910GL) <b>\$2,525</b>
<b>20" w x 23" h</b> Matte (SSFSR2320MT) <b>\$1,930</b> Gloss (SSFSR2320GL) <b>\$2,315</b>	<b>15" w x 23" h</b> Matte (SSFSR2315MT) <b>\$1,825</b> Gloss (SSFSR2315GL) <b>\$2,180</b>

**Drains & Overflow Kits** Must be ordered at time of purchase

Toe Tap Drain Cover Finishes
PVC drain - Chrome included
<b>+\$50</b> upcharge Br. Nickel (WIOBN), Pol. Nickel (WIOPN)
<b>+\$85</b> upcharge Matte Black (WIOMB)
<b>+\$105</b> upcharge Oil-Rubbed Bronze* (WIOOR)
<b>+\$640</b> upcharge Special Finish* (WIOSF)
<i>Send finish sample to MTI Baths for best match.</i>

Toe Tap SculptureStone® Drain Cover Finishes
Upgrade is in lieu of standard chrome to tap drain cover.
White only
<b>+\$90</b> upcharge Matte Finish (SSWIOMT)
<b>+\$110</b> upcharge Gloss Finish (SSWIOGL)
Brass Tailpiece (WIOBS) <b>\$85</b> in addition to finish charge listed above
Quick Drain Kit (WOQ) <b>\$460</b>

\* MTI has selected an oil-rubbed bronze finish that is compatible with Delta and many other manufacturers. To ensure best match, order as a Special Finish and submit a sample.  
CSA # MTCT-185  
©2022 by MTI Baths, Inc. Modification Rights Reserved

\* Allow 2-4 weeks lead time for Special Finishes. Send sample for best match.

