

Designer Collection Tubs

Melinda 8

MODEL #: 191

66.5" x 35.5" x 23.5"

Optional pedestal: 50" x 35.25" x 3"

GENERAL SPECIFICATIONS

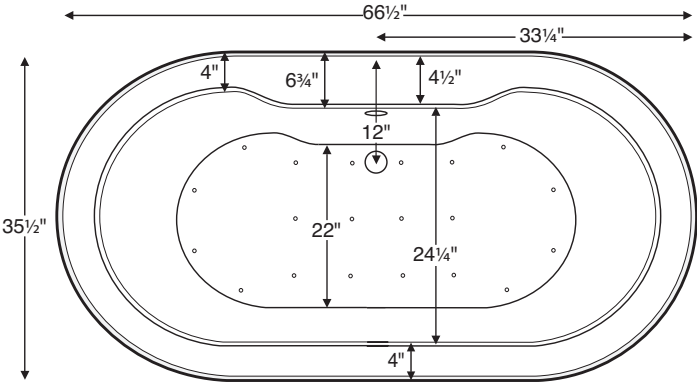
Material - Acrylic

Installation - Freestanding

Soaker Weight - 121 lbs / 55 kg

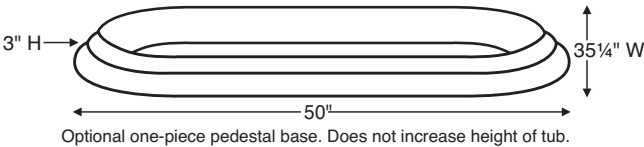
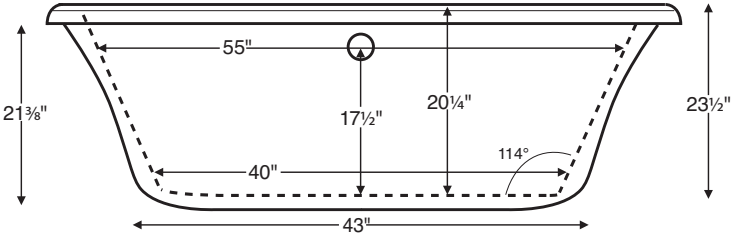
Maximum Fill - 81 gal to overflow

NOTE: Filling this tub to the maximum may require an above average size or dedicated water heater.



The Melinda 8 features a 4.5"-wide flat deck on the drain side for mounting faucetry.

Shown with Air Massage Package.



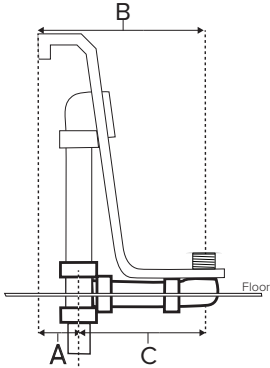
Optional one-piece pedestal base. Does not increase height of tub.



Access panel
15 1/8" x 15 1/8"

Drain Rough-In Measurements

A	B	C
6 3/4"	12"	5 1/4"



ELECTRICAL COMPONENTS & SPECIFICATIONS

Required Electrical Service - 110 Volt

Hydrotherapy Package	Components Included	GFCI
Air Massage	heated blower	1-15 amp
Air Massage Elite	heated blower, chromatherapy	1-15 amp

Electrical requirements may change with the addition of optional therapy components. See specific option details or installation information. CSA Certified C/US; ANSI Z124.1 and ANSI 112.19.7

See the Installation & Operation Manual for more details. MTI's Customer Service: Monday-Friday 8am-6pm EST 800-783-8827 or service@mtibaths.com

- Before discarding tub crate, check for accessories that may be packaged inside.
- All product measurements are ±1/2".
- Specifications and configurations are subject to change without notice.
- Measurements herein supersede all others published prior to publication date below.

IMPORTANT ORDERING & INSTALLATION INFORMATION:

- Before ordering or installing, please consider future access to equipment.
- This tub comes equipped with an access panel to facilitate installation of valves and the waste and overflow.
- Optional pedestal ring does not increase the height of the tub.
- Air baths require job site preparations for remote mounting the blower.
- Hydrotherapy equipment may ship loose for remote installation depending on tub model. See package content on the following page for details.
- MTI will eliminate the access panel upon request. Installation will be more difficult.
- Radiance placed on floor locations will affect placement of air jets.



Melinda 8

MODEL #: 191
66.5" x 35.5" x 23.5"

Hydrotherapy Packages	Package Contents	Part #	MSRP
Soaker	Soaking bath - no jets; includes a pre-leveled foam base.	S191	\$4,540
		<i>With Pedestal - S191 + BASE191</i>	\$5,540
Air Massage	20 air jets, heated air blower, pre-leveled foam base. Blower and control boxes must be remote located.	AST191	\$7,440
		<i>With Pedestal - AST191 + BASE191</i>	\$8,440
Air Massage Elite	30 air jets, heated air blower, Chromatherapy LED lighting, Spa Mode, pre-leveled foam base. Blower and control boxes must be remote located.	AE191	\$9,215
		<i>With Pedestal - AE191 + BASE191</i>	\$10,215

RECOMMENDED SENSORY THERAPIES

Chromatherapy

(LE) **\$640** underwater lighting
2 LED lights included

Audiotherapy

(STEREOBT) **\$1,175** 2 transducers with bluetooth and amplifier
(BTREMOTE) **\$490** bluetooth remote

(STEREOH202) **\$1,135** 4 transducers amplifier not included

Thermltherapy

(RAD100) **\$1,190** Radiance®
2 heated zones included

Options

Must be ordered at time of purchase.

Standard Colors White (CWH)
Biscuit (CBS)

Please call for availability of special colors.

Quick Ship reduces lead time (QSPRI) **\$380**

Please call for availability

Textured, Slip-Resistant Bottom (TXTBTM) **\$100**

Compliant with ASTM C 1028-07 friction coefficient.

Virtual Spout high-flow integrated tub filler (FPMJ) **\$350**

Grab Bars from **\$300** (1 set of 2)

Grab bars are factory installed to the left and right of the overflow. Go to Acrylic Tub Options on mtibaths.com for details before ordering.

Color and finish selections vary.

Decorative Towel Bar

Chrome (CHTOWEL) **\$520**, Brushed Nickel (BNTOWEL) **\$520**

Accessories

Pillows from **\$145**

Teak Bath Mat (TKMAT3018) **\$390**

Custom sizes also available. Contact MTI for details and pricing.

Concealed Blower Box

Oak (BBOAK) **\$920**, Cherry (BBCH) **\$920**, Maple (BMAP) **\$920**

Drains & Overflow Kits

Toe Tap Rectangular Overflow must be ordered at time of purchase

Cable Driven

Drain Finishes – PVC Drain Kit

White/Biscuit (WOCDW) **\$345**

Chrome (WOC) **\$325**

Brushed Nickel (WOCDBN) **\$395**

Polished Nickel (WOCDPN) **\$515**

Oil-Rubbed Bronze† (WOCBOR) **\$525**

Polished Brass (WOCDBR) **\$505**

Special Finishes* (WOCDSF) **\$835**

MTI does not offer a brass body cable drain kit.

Toe Tap

Round Overflow – PVC Drain Kit

Chrome (WOTTC) **\$300**

Brushed Nickel (WOTTBN) **\$325**

Polished Nickel (WOTTPN) **\$340**

Special Finishes* (WOTTSF) **\$970**

Round Overflow – Solid Brass Drain

Chrome (WOTTSBC) **\$755**

Brushed Nickel (WOTTSBBN) **\$755**

Polished Nickel (WOTTSBPN) **\$755**

Toe Tap

Rectangular Overflow – PVC Drain Kit

Chrome (WOTRC) **\$315**

Brushed Nickel (WOTRBN) **\$325**

White (WOTRW) **\$350**

Lift & Turn

Drain Finishes – PVC Drain Kit

Chrome (WOC) **\$130**

White (WOW) **\$190**

Brushed Nickel (WOB) **\$235**

Slim-Line Overflow with Toe Tap Drain *Must be ordered at time of purchase.*

- Low profile overflow is factory installed
- Overflow measures 4.5" x 1"
- Provides a deeper soak
- Not available for commercial applications

Slim-Line Overflow with Toe Tap Drain

PVC Drain

Chrome (SLOT) **\$390**

Brushed Nickel (SLOTBN) **\$400**

Polished Nickel (SLOTPN) **\$410**

White (SLOTW) **\$400**

Slim-Line Overflow with Toe Tap Drain

Solid Brass Drain

Chrome (SLOTSBC) **\$825**

Brushed Nickel (SLOTSBBN) **\$825**

Polished Nickel (SLOTSBPN) **\$825**

White (SLOTSBW) **\$825**

† MTI has selected an oil-rubbed bronze finish that is compatible with Delta and many other manufacturers. To ensure best match, order as a Special Finish and submit a sample.
* Allow 2-4 weeks lead time for Special Finishes. Send sample for best match.

