

# Designer Collection Tubs

## Melinda 4

MODEL #: 88

65.5" x 35" x 23.5"

Optional pedestal: 50" x 35.25" x 3"



### GENERAL SPECIFICATIONS

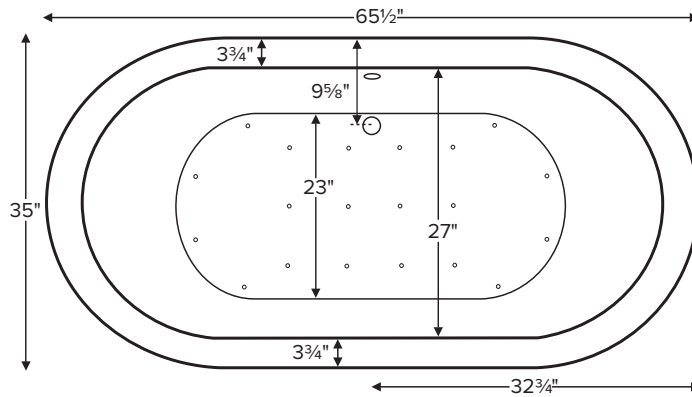
**Material** - Acrylic

**Installation** - Freestanding

**Soaker Weight** - 121 lbs / 55 kg

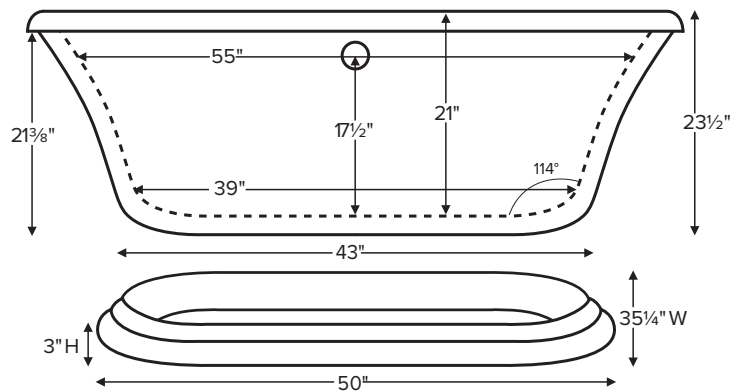
**Maximum Fill** - 80 gal to overflow

*NOTE: Filling this tub to the maximum may require an above average size or dedicated water heater.*



Requires use of a wall-mounted or freestanding tub filler.

Shown with Air Massage Package.



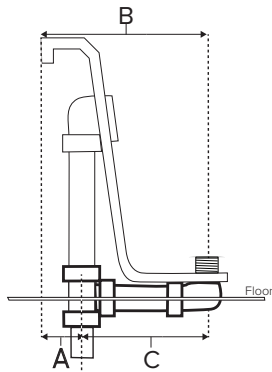
Optional one-piece pedestal base.

Access panel  
9" x 16"



### Drain Rough-In Measurements

A	B	C
4 1/8"	9 5/8"	5 1/2"



### ELECTRICAL COMPONENTS & SPECIFICATIONS

Required Electrical Service - 110 Volt

Hydrotherapy Package	Components Included	GFCI
Air Massage	heated blower	1-15 amp
Air Massage Elite	heated blower, chromatherapy	1-15 amp

Electrical requirements may change with the addition of optional therapy components.  
See specific option details or installation information.  
CSA Certified C/US; ANSI Z124.1 and ANSI 112.19.7

See the Installation & Operation Manual for more details.  
MTI's Customer Service: Monday-Friday 8am-6pm EST  
**800-783-8827** or [service@mtibaths.com](mailto:service@mtibaths.com)

### IMPORTANT ORDERING & INSTALLATION INFORMATION:

- Before ordering or installing, please consider future access to equipment.
- Comes equipped with an access panel on the drain side for installation of waste and overflow.
- Optional pedestal ring does not increase the height of the tub.
- Air baths require job site preparations for remote mounting the blower.
- Hydrotherapy equipment may ship loose for remote installation depending on tub model. See package content on the following page for details.
- MTI will eliminate the access panel upon request. Installation will be more difficult.
- Radiance placed on floor locations will affect placement of air jets.
- Faucet valves cannot be installed on this tub model.

- Before discarding tub crate, check for accessories that may be packaged inside.
- All product measurements are  $\pm 1/2"$ .
- Specifications and configurations are subject to change without notice.
- Measurements herein supersede all others published prior to publication date below.

CSA # MTDS-88

©2021 by MTI Baths, Inc. Modification Rights Reserved



Melinda 4

MODEL #: 88  
65.5" x 35" x 23.5"

Hydrotherapy Packages	Package Contents	Part #	MSRP
Soaker	Soaking bath - no jets; includes a pre-leveled foam base.	<b>S88</b>	<b>\$4,540</b>
		<i>With Pedestal - S88 + BASE88</i>	<b>\$5,540</b>
Air Massage	20 air jets, heated air blower, pre-leveled foam base. Blower and control boxes must be remote located.	<b>AST88</b>	<b>\$7,440</b>
		<i>With Pedestal - AST88 + BASE88</i>	<b>\$8,440</b>
Air Massage Elite	30 air jets, heated air blower, Chromatherapy LED lighting, Spa Mode, pre-leveled foam base. Blower and control boxes must be remote located.	<b>AE88</b>	<b>\$9,215</b>
		<i>With Pedestal - AE88 + BASE88</i>	<b>\$10,215</b>

RECOMMENDED SENSORY THERAPIES

**Chromatherapy**

(LE) **\$640** underwater lighting  
2 LED lights included

**Audiotherapy**

(STEREOBT) **\$1,175** 2 transducers with bluetooth and amplifier  
(BTREMOTE) **\$490** bluetooth remote

(STEREOH202) **\$1,135** 4 transducers amplifier not included

**Thermaltherapy**

(RAD100) **\$1,190** Radiance®  
2 heated zones included

**Options**

Must be ordered at time of purchase.

**Standard Colors** White (CWH)  
Biscuit (CBS)

Please call for availability of special colors.

**Quick Ship** reduces lead time (QSPRI) **\$380**

Please call for availability

**Textured, Slip-Resistant Bottom** (TXTBTM) **\$100**

Compliant with ASTM C 1028-07 friction coefficient.

**Virtual Spout** high-flow integrated tub filler (FPMJ) **\$350**

**Grab Bars** from **\$300** (1 set of 2)

Grab bars are factory installed to the left and right of the overflow. Go to Acrylic Tub Options on mtibaths.com for details before ordering.

Color and finish selections vary.

**Decorative Towel Bar**

Chrome (CHTOWEL) **\$520**, Brushed Nickel (BNTOWEL) **\$520**

**Accessories**

**Pillows** from **\$145**

**Teak Bath Mat** (TKMAT3018) **\$390**

Custom sizes also available. Contact MTI for details and pricing.

**Concealed Blower Box**

Oak (BBOAK) **\$920**, Cherry (BBCH) **\$920**, Maple (BMAP) **\$920**

**Floor-Mounted High-Flow Tub Filler** two designs available

Contemporary

Chrome (FILLC) **\$1,680**

Brushed Nickel (FILLBN) **\$1,850**

Traditional

Chrome (FILLTC) **\$1,680**

Brushed Nickel (FILLTBN) **\$1,845**

**Faucet Stand SculptureStone® Standard**

**Small** 3-hole capacity

**14¼" w x 21¾" h**

Matte (STAND) **\$515**

**Large** 5-hole capacity

**22" w x 21¾" h**

Matte (STANDL) **\$610**

**+\$310 gloss finish upcharge** (SSGLOSSENK)

**Drains & Overflow Kits**

Toe Tap Rectangular Overflow must be ordered at time of purchase

**Cable Driven**

**Drain Finishes** – PVC Drain Kit

White/Biscuit (WOCDW) **\$345**

Chrome (WOC) **\$325**

Brushed Nickel (WOCDBN) **\$395**

Polished Nickel (WOCDPN) **\$515**

Oil-Rubbed Bronze† (WOCDOR) **\$525**

Polished Brass (WOCDBR) **\$505**

Special Finishes\* (WOCDSF) **\$835**

MTI does not offer a brass body cable drain kit.

**Toe Tap**

**Round Overflow** – PVC Drain Kit

Chrome (WOTTC) **\$300**

Brushed Nickel (WOTTBN) **\$325**

Polished Nickel (WOTTPN) **\$340**

Special Finishes\* (WOTTSF) **\$970**

**Round Overflow** – Solid Brass Drain

Chrome (WOTTSBC) **\$755**

Brushed Nickel (WOTTSBBN) **\$755**

Polished Nickel (WOTTSBPN) **\$755**

**Toe Tap**

**Rectangular Overflow** – PVC Drain Kit

Chrome (WOTRC) **\$315**

Brushed Nickel (WOTRBN) **\$325**

White (WOTRW) **\$350**

**Lift & Turn**

**Drain Finishes** – PVC Drain Kit

Chrome (WOC) **\$130**

White (WOW) **\$190**

Brushed Nickel (WOBN) **\$235**

**Slim-Line Overflow with Toe Tap Drain** *Must be ordered at time of purchase.*

- Low profile overflow is factory installed
- Overflow measures 4.5" x 1"
- Provides a deeper soak
- Not available for commercial applications

**Slim-Line Overflow with Toe Tap Drain**

PVC Drain

Chrome (SLOTC) **\$390**

Brushed Nickel (SLOTBN) **\$400**

Polished Nickel (SLOTPN) **\$410**

White (SLOTW) **\$400**

**Slim-Line Overflow with Toe Tap Drain**

Solid Brass Drain

Chrome (SLOTSBC) **\$825**

Brushed Nickel (SLOTSBBN) **\$825**

Polished Nickel (SLOTSBPN) **\$825**

White (SLOTSBW) **\$825**

\* MTI has selected an oil-rubbed bronze finish that is compatible with Delta and many other manufacturers. To ensure best match, order as a Special Finish and submit a sample.  
\* Allow 2-4 weeks lead time for Special Finishes. Send sample for best match.

