

Andrea® 24

MODEL #: 210
66" x 36" x 23"

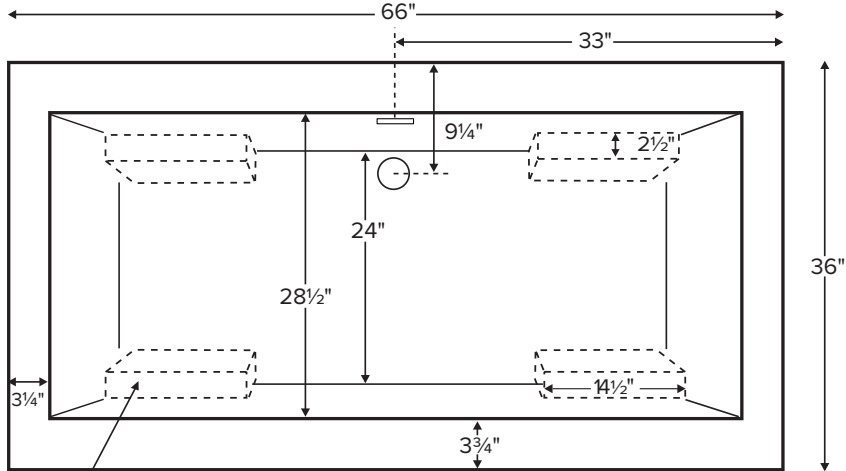


Features an integrated overflow

GENERAL SPECIFICATIONS

- Material** - Acrylic
- Installation** - Freestanding
- Soaker Weight** - 140 lbs / 64 kg
- Maximum Fill** - 78 gal to overflow

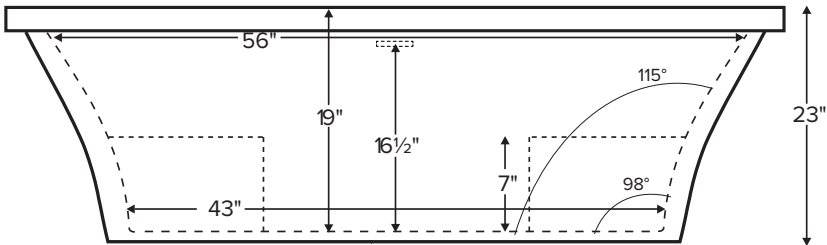
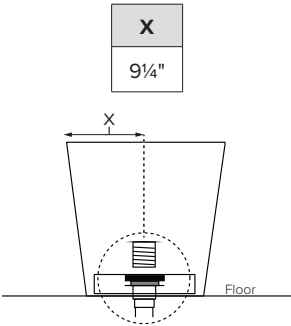
NOTE: Filling this tub to the maximum may require an above average size or dedicated water heater.



Optional Integral Armrests

Requires use of a wall-mounted or freestanding tub filler.
Shown as Soaker.

Drain Rough-In Measurement



ELECTRICAL COMPONENTS & SPECIFICATIONS

Required Electrical Service - 110 Volt

Hydrotherapy Package	Components Included	GFCI
Air Massage	heated blower	1-15 amp
Air Massage Elite	heated blower, chromatherapy	1-15 amp

Electrical requirements may change with the addition of optional therapy components.
See specific option details or installation information.
CSA Certified C/US; ANSI Z124.1 and ANSI 112.19.7

See the Installation & Operation Manual for more details.
MTI's Customer Service: Monday-Friday 8am-6pm EST
800-783-8827 or service@mtibaths.com

IMPORTANT ORDERING & INSTALLATION INFORMATION:

- Before ordering or installing, please consider future access to equipment.
- No access panel. Tub features slotted integrated overflow with toe tap drain.
- Air baths require job site preparations for remote mounting the blower and required check valve. Check valve must be installed higher than the rim of the tub.
- Hydrotherapy equipment may ship loose for remote installation depending on tub model. See package content on the following page for details.
- Radiance placed on floor locations will affect placement of air jets.
- Faucet valves cannot be installed on this tub model.

- Before discarding tub crate, check for accessories that may be packaged inside.
- All product measurements are ±1/2".
- Specifications and configurations are subject to change without notice.
- Measurements herein supersede all others published prior to publication date below.



Andrea® 24

MODEL #: 210
66" x 36" x 23"

Hydrotherapy Packages	Package Contents	Part #	MSRP
Soaker	Soaking bath - no jets; includes a pre-leveled foam base. Integrated slotted overflow with toe-tap drain in chrome.	S210	\$5,120
Air Massage	20 air jets, heated air blower, pre-leveled foam base. Blower and control boxes must be remote located. Integrated slotted overflow with toe-tap drain in chrome.	AST210	\$8,020
Air Massage Elite	30 air jets, heated air blower, Chromatherapy LED lighting, Spa Mode, pre-leveled foam base. Blower and control boxes must be remote located. Integrated slotted overflow with toe-tap drain in chrome.	AE210	\$9,795

RECOMMENDED SENSORY THERAPIES

Chromatherapy

(LE) **\$640** underwater lighting
2 LED lights included

Audiotherapy

(STEREOBT) **\$1,175** 2 transducers with bluetooth and amplifier
(BTREMOTE) **\$490** bluetooth remote

(STEREOH202) **\$1,135** 4 transducers amplifier not included

Thermaltherapy

(RAD100) **\$1,190** Radiance®
2 heated zones included

Options

Must be ordered at time of purchase.

Standard Colors White (CWH)
Biscuit (CBS)

Please call for availability of special colors.

Quick Ship reduces lead time (QSPRI) **\$380**

Please call for availability

Textured, Slip-Resistant Bottom (TXTBTM) **\$100**

Compliant with ASTM C 1028-07 friction coefficient.

Virtual Spout high-flow integrated tub filler (FPMJ) **\$350**

Grab Bars from **\$300** (1 set of 2)

Grab bars are factory installed to the left and right of the overflow. Go to Acrylic Tub Options on mtibaths.com for details before ordering.

Color and finish selections vary.

Decorative Towel Bar

Chrome (CHTOWEL) **\$520**, Brushed Nickel (BNTOWEL) **\$520**

Integral Armrests - 2 pair (INTARM2) **\$260**

Accessories

Pillows from **\$145**

Teak Bath Mat (TKMAT3018) **\$390**

Custom sizes also available. Contact MTI for details and pricing.

Teak Tub Tray **\$315**

Slatted (TK-TRAY1), Solid (TK-TRAY2)

Teak Seat (TK-REMSEAT) **\$430**

For use with armrests only.

Concealed Blower Box

Oak (BBOAK) **\$920**, Cherry (BBCH) **\$920**, Maple (BBMAP) **\$920**

Floor-Mounted High-Flow Tub Filler two designs available

Contemporary
Chrome (FILLC) **\$1,680**
Brushed Nickel (FILLBN) **\$1,850**

Traditional
Chrome (FILLTC) **\$1,680**
Brushed Nickel (FILLTBN) **\$1,845**

Faucet Stand SculptureStone® Standard

Small 3-hole capacity
14¼" w x 21¾" h
Matte (STAND) **\$515**

Large 5-hole capacity
22" w x 21¾" h
Matte (STANDL) **\$610**

+\$310 gloss finish upcharge (SSGLOSSNK)

Drains & Overflow Kits Must be ordered at time of purchase

Integrated Overflow with Toe Tap

Slotted Overflow

PVC drain - Chrome (SLOTIOC) included

Finish Upcharge

White (SLOTIOWHU) **\$60**

Brushed Nickel (SLOTIOBNU) **\$60**

Polished Nickel (SLOTIOPNU) **\$100**

Round Overflow

Chrome (RIOBC) may substitute slotted overflow

Finish Upcharge

White (RIOWH) **\$60**

Brushed Nickel (RIOBN) **\$60**

Polished Nickel (RIOPN) **\$100**

Brass Tailpiece (WIOBS) **\$35**

May be ordered separately

