



Features integral skirting and tile flange.

Cameron 2

60" x 30" x 20"

GENERAL SPECIFICATIONS:

Material - Acrylic

Installation - Alcove

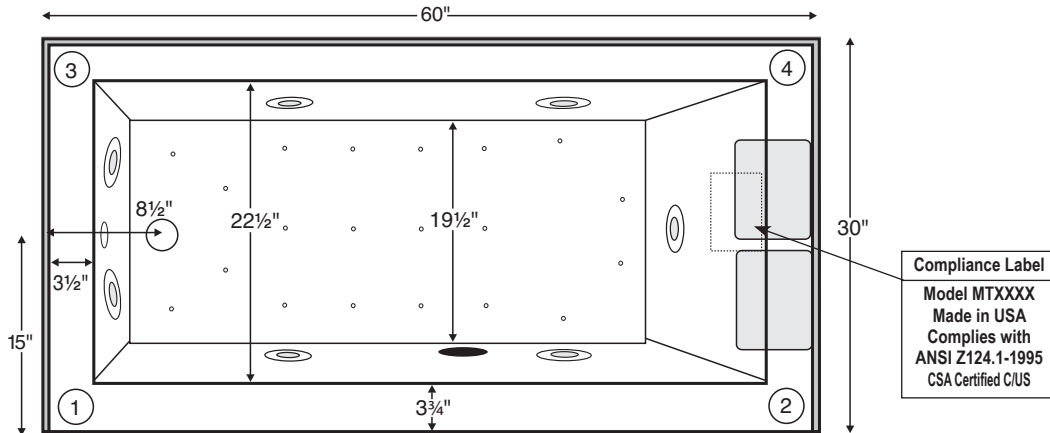
Plumbed Weight - 130 lbs / 59 kg

Soaker Weight - 105 lbs / 48 kg

Average Fill - 30 gal to above jet level

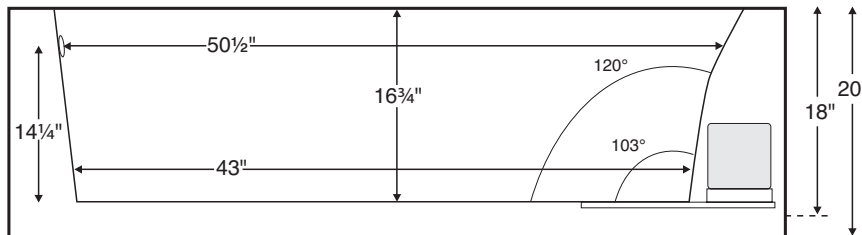
Maximum Fill - 55 gal to overflow

NOTE: Filling this tub to the maximum may require an above average size or dedicated water heater.



Numbered areas on tub deck represent possible locations to install cleaning systems, faucets and other fixtures.

Shown with Air Massage and Ultra Whirlpool Package.



ELECTRICAL COMPONENTS & SPECIFICATIONS		
Required Electrical Service - 110 Volt		
Hydrotherapy Package	Components Included	GFCI
Standard Whirlpool	2-bhp pump	1-15 amp
Ultra Whirlpool	2-bhp pump, inline heater	2-15 amp
Air Massage	heated blower	1-15 amp
Air Massage Elite	heated blower, chromatherapy	1-15 amp
Air Massage with Standard Whirlpool	2-bhp pump, heated blower	2-15 amp
Air Massage with Ultra Whirlpool	2-bhp pump, inline heater, heated blower	2-20 amp
Air Massage Elite with Standard Whirlpool	2-bhp pump, heated blower, chromatherapy	2-15 amp
Air Massage Elite with Ultra Whirlpool	2-bhp pump, inline heater, heated blower, chromatherapy	2-20 amp

For electrical requirements of tub options, see page C-2.
CSA Certified C/US; ANSI Z124.1 for plastic tubs and ANSI 112.19.7 for whirlpool components.

IMPORTANT ORDERING & INSTALLATION INFORMATION:

- Before ordering or installing, please consider future access to equipment.
- Cameron includes integral front skirting, tile flange on 3 sides and a pre-leveled foam base to facilitate the installation process.
- Tub is available with a left- or right-hand drain location. **Must specify on order.**
- Overall standard tub height is 20", but can be reduced by as low as 18" ONLY when ordered as a soaker. **Must specify on order.**
- Skirting is non-removable and provides no access. Must have end access for servicing of equipment.
- If you plan to use a glass enclosure, MTI must be advised when ordering for possible relocation of systems controls.
- Suction and control locations may vary.
- Specifications and configurations are subject to change without notice.
- Measurements are $\pm 1/2"$ and are subject to change without notice.
- Measurements herein supersede all others published prior to publication date shown below.

See the "Designer Collection Tubs Installation & Operation Manual" included with tub delivery or go to mtibaths.com/support/installation_operation/manuals for all the information necessary to install and operate the tub.

MTI's Customer Service Department is available Monday-Friday 8am-6pm EST at 800-783-8827 or customerservice@mtibaths.com to answer any questions pertaining to ordering or installation.



Hydrotherapy Packages	Package Contents	Standard Pump/Blower Locations	Part #	MSRP
Soaker	soaking bath - no jets; features integral skirting (no front access), integral tile flange, pre-leveled foam base <i>Note: Overall tub height can be reduced by 2" for soakers only. Must specify on order.</i>		S152	\$1,625
Whirlpool Packages	<i>Standard Whirlpool</i> 5 point-massage jets, 2-bhp pump; integral skirting (no front access), integral tile flange, pre-leveled foam base		P152	\$3,120
	<i>Ultra Whirlpool</i> 7 point-massage jets, 2-bhp pump, inline heater, integral skirting (no front access), integral tile flange, pre-leveled foam base		P152U	\$4,195
Air Bath Packages	<i>Air Massage</i> 20 air jets, heated air blower, Aromatherapy, integral skirting (no front access), integral tile flange, pre-leveled foam base		AST152	\$4,225
	<i>Air Massage Elite</i> 30 air jets, heated air blower, Aromatherapy, Chromotherapy LED lighting, Spa Mode, integral skirting (no front access), integral tile flange, pre-leveled foam base		AE152	\$5,825
Air Bath / Whirlpool Combo Packages	<i>Air Massage with Standard Whirlpool</i> 5 point-massage jets, 2-bhp pump, 20 air jets, heated air blower, Aromatherapy, integral skirting (no front access), integral tile flange, pre-leveled foam base		AW152	\$5,645
	<i>Air Massage with Ultra Whirlpool</i> 7 point-massage jets, 2-bhp pump, inline heater, 20 air jets, heated air blower, Aromatherapy, integral skirting (no front access), integral tile flange, pre-leveled foam base		AU152	\$6,460
	<i>Air Massage Elite with Standard Whirlpool</i> 5 point-massage jets, 2-bhp pump, 30 air jets, heated air blower, Aromatherapy, Chromotherapy LED lighting, Spa Mode, integral skirting (no front access), integral tile flange, pre-leveled foam base		AEAP152	\$6,945
	<i>Air Massage Elite with Ultra Whirlpool</i> 7 point-massage jets, 2-bhp pump, inline heater, 30 air jets, heated air blower, Aromatherapy, Chromotherapy LED lighting, Spa Mode, integral skirting (no front access), integral tile flange, pre-leveled foam base		AEAP152U	\$7,825

Lead Time - Soakers and Whirlpool Packages - 5 business days
Air Baths and Combo Packages - 7 business days

NOTE: Front skirting is non-removable and provides no access. Must have side access for servicing of equipment.

Premium Options	<i>NOTE: part codes for all options listed in parenthesis.</i>
Stream Bath - provides a relaxing water current (STREAM) \$1,695 <i>Available for soaker or air bath packages only. See p. C-3 for detailed specifications.</i>	
Radiance - integrated tub shell heating system (RAD100) \$999 <i>see p. C-5</i>	
Chromotherapy - underwater LED lighting (LE) \$560 <i>see p. C-6</i> <i>Included in some hydrotherapy packages listed above.</i>	
Stereo H₂O - includes 4 integrated audio transducers (STEREOH2O) \$1,099 <i>Requires audio source(s) and amplification not provided by MTI - see p. C-7.</i>	
Standard Options	
Standard Colors: White (CWH), Bone (CBN), Biscuit (CBS) Color Upgrade: (COL2) \$485 <i>See p. C-1 for individual color part codes.</i>	
Quick Ship - reduces lead time - please call for availability (QSPRI) \$350	
Textured, Slip-Resistant Bottom - meets ASTM F-462-1994 (TXBTM) \$70	
Virtual Spout - high-flow integrated tub filler (FPMJ) \$300 <i>see p. C-11</i>	
Inline Heater - included in some hydrotherapy packages listed above - <i>see p. C-9</i> Whirlpools or Combo Packages (HTI) \$495 Soaker, Air Baths or Stream Bath (HTISOAK) \$695 <i>Includes a recirculating pump.</i>	

Accessories & Hardware for All Packages
Drain Kits - other finishes also available <i>see pp. C-12-13</i>
Toe-Tap with Slim-Line Integrated Overflow <i>Choose from:</i> Chrome (SLOT C), Brushed Nickel (SLOTBN), Polished Nickel (SLOT PN) or White (SLOTWH) \$400
Toe-Tap with Rectangular Overflow - Chrome (WOTRC) \$260 ; Brushed Nickel (WOTRBN) \$265 ; White (WOTRW) \$265
Toe-Tap with Round Overflow - Chrome (WOTTC) \$260 ; Brushed Nickel (WOTTBN) \$265 ; Polished Nickel (WOTTPN) \$315
Cable Driven - Chrome (WOC D) \$290 ; Brushed Nickel (WOCDBN) \$335 ; Polished Nickel (WOCDPN) \$475 ; Oil-Rubbed Bronze (WOC DOR) \$475
Lift & Turn - Chrome (WOC) \$115 ; Brushed Nickel (WOBN) \$210
Grab Bars - 9" Curved, set of 2 <i>see p. C-14</i> Acrylic - color-matched with tub - <i>standard colors only</i> (GB) \$290 Metal - Chrome (GBMCC), Brushed Nickel (GBMCBN) \$320
Pillows - from \$115 <i>see p. C-14</i>
Teak Tub Tray - Slatted (TK-TRAY1) or Solid (TK-TRAY2) \$395 <i>see p. C-15</i>
Teak Bath Mat (TK-MAT3018) \$395 <i>custom sizes also available - see p. C-15</i>
Accessories & Cleaning Systems for Whirlpool Packages
Trim Kits - <i>must be ordered at time of tub purchase; other finishes available - see p. C-19</i> Standard Whirlpool - Chrome (TRC) \$220 ; Brushed Nickel (TRBN) \$550 Ultra Whirlpool - Chrome (TRCU) \$295 ; Brushed Nickel (TRBNU) \$750
Pump Upgrade - 3-bhp (PUMP3) \$230
Additional Jet Options <i>see p. C-18</i>
Whirlpool Cleaning Systems - <i>see pp. C-20-24</i> Fill-Flush (FFSO) \$560 ; Simple Touch (FFE) \$650
Ozonator - bath water purification system (OZONE) \$495 <i>see p. C-25</i>



Cameron 2 features integral skirting, tile flange and includes a pre-leveled foam base. Available with a left- or right-hand drain. **Must specify on order.**