

# MONOGRAM 30" BUILT-IN SINGLE OVEN

ZTSX1DPSNSS



## THE MONOGRAM STATEMENT COLLECTION

Edge-to-edge handles, polished stainless steel, and hand-finished edges convey a sense of solidity and beauty

## LCD CONTROLS

Adjust oven settings with little effort with a Brilliant 7" LCD display that allows you to customize backgrounds and receive weather updates

## WIFI CONNECT

Perfectly in sync with a busy lifestyle, Alexa or Google Home can be used to control an array of oven functions from both inside and outside the home

## VOICE CONTROL

Once programmed, you can use your voice to preheat the oven and more, all without raising a finger

## NO-PREHEAT AIR FRY

A must-have for health-conscious cooks, the No-Preheat Air Fry mode crisps food to crunchy perfection, without using oils or butter

## PRECISION COOKING MODES

Master new recipes and perfectly execute favorite dishes using this ultra-smart system that automatically tracks cooking progress, modifies temperatures and adjusts cook times

## SCAN-TO-COOK

Innovative and time saving, scan-to-cook technology ensures that packaged foods are always prepared correctly. A simple scan of the barcode with a smartphone delivers consistently, delicious results

## TWIN CONVECTION WITH DIRECT AIR

Achieve beautifully cooked and delicious meals every time with this expertly designed, third heating element and fan combination

## 5.0 CUBIC FOOT CAPACITY

Easily accommodates even the largest meals

## EXCLUSIVE SELF-CLEAN, (2 FULL-EXTENSION, 1 REGULAR) OVEN RACKS

Glide in and out smoothly on stainless steel ball bearings, and are designed to be left in the oven during the self-clean cycle

## TEN-PASS BAKE ELEMENT

Covers more surface area for more even baking results

## EIGHT-PASS BROIL ELEMENT

Provides complete coverage and even browning, even for large dishes

## SELF-CLEAN WITH STEAM CLEAN OPTION

Gives you flexible options for thorough oven cleaning



### SPECIFICATIONS

|                                      |   |
|--------------------------------------|---|
| Overall Width                        | 29 3/4" (75.6 cm)                               |
| Overall Height                       | 28 11/16" (72.8 cm)                             |
| Overall Depth Including Handle       | 27 5/16" (70.6 cm)                              |
| Oven Door Clearance                  | 20 9/16" (52.2 cm)                              |
| Overall Oven Interior Capacity       | 5.0 cu. ft. (141.6 liters)                      |
| Oven Interior Dimensions (W x H x D) | 25" x 17 3/8" x 20 1/4" (63.5 x 44.1 x 51.4 cm) |
| Minimum Cabinet Width*               | 30" (76.2 cm)                                   |
| Minimum Cabinet Depth*               | 24" (61.0 cm)                                   |
| Minimum Base Support                 | 220 lbs. (99 kg)                                |

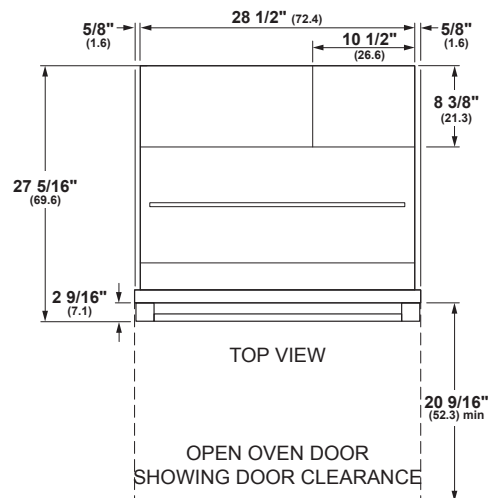
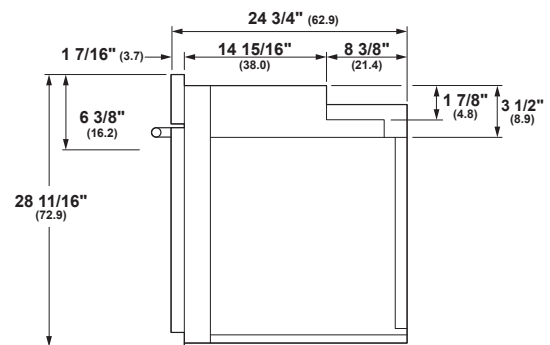
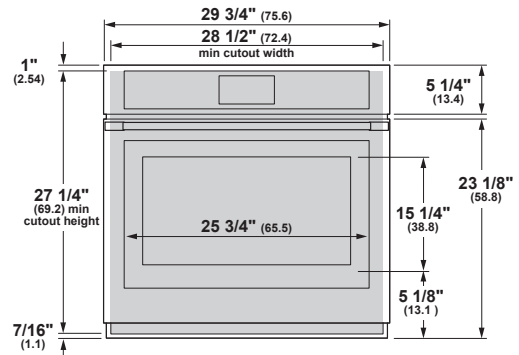
|                   |   |
|-------------------|---|
| Cutout Width*     | 28 1/2" (72.4 cm) Min<br>28 5/8" (72.7 cm) Max  |
| Cutout Height*    | 27 1/4" (69.2 cm) Min<br>27 5/16" (69.4 cm) Max |
| Cutout Depth*     | 23 1/2" (59.7 cm) Min                           |
| Volts/Hertz/Amps  | 240/208 V AC, 60 Hz, 20A                        |
| Conduit Length    | 48" (72" available special order: WB18T10398)   |
| Electrical Rating | 3.4 kW at 208V<br>4.5 kW at 240V                |
| Shipping Weight   | 208 lbs. (95 kg)                                |

\* Additional space will be needed for flush installation.

### ATTENTION ELECTRICIAN:

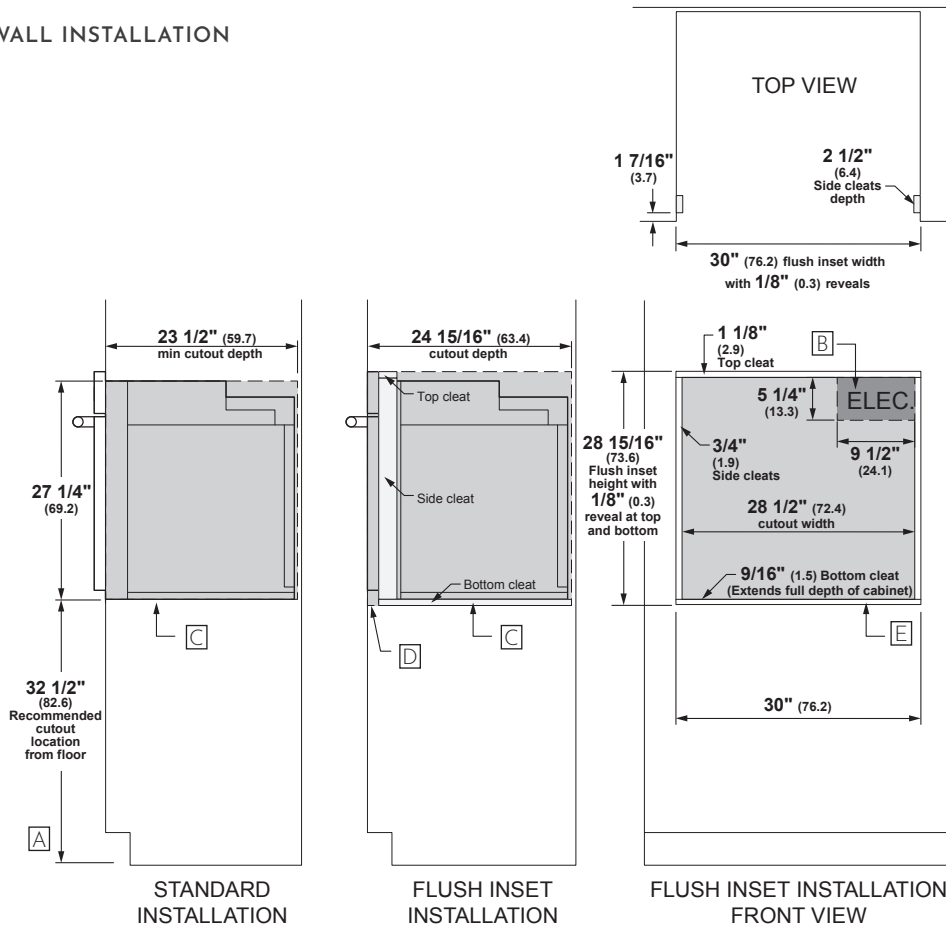
A 240/208V, 60Hz, 20 Amp circuit is required. An individual properly grounded branch circuit or circuit breaker is required. Hardware junction box is required for built-in product.

### OVERALL DIMENSIONS



Dimensions in parentheses are in centimeters unless otherwise noted. Actual product dimensions may vary due to manufacturing tolerances.

## WALL INSTALLATION

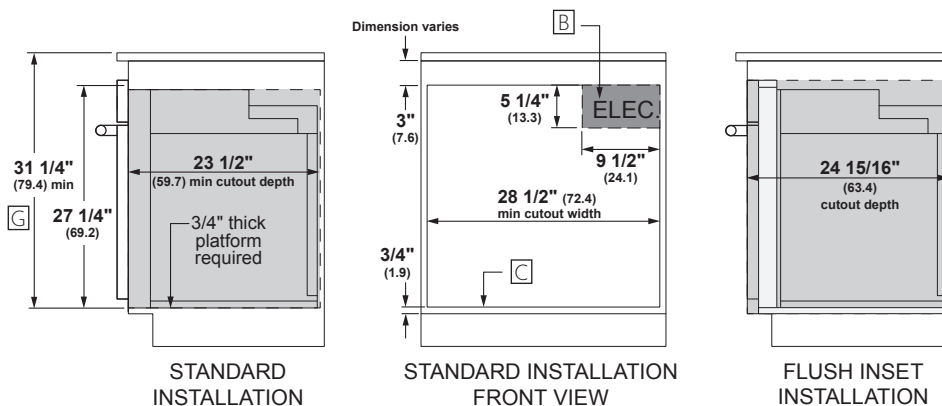


## HELPFUL TIPS

- A** Based on a user height of 5' 6" to 5' 10".
- B** Junction box location (May also be located in adjacent cabinet.)
- C** Platform must be able to support 220 lbs (99 kg).
- D** Cabinet surfaces must be an appearance finished surface for flush installation.
- E** Cleats may be visible and should be finished to match cabinetry.
- F** If using optional flush install vent trim accessory ZX30VT1, please adjust cutout height to 28-5/8" and bottom cleat height to 1/4".
- G** Minimum 31 1/4" from the top surface of the countertop to the top surface of the wall oven support platform when installed beneath a certified cooktop.

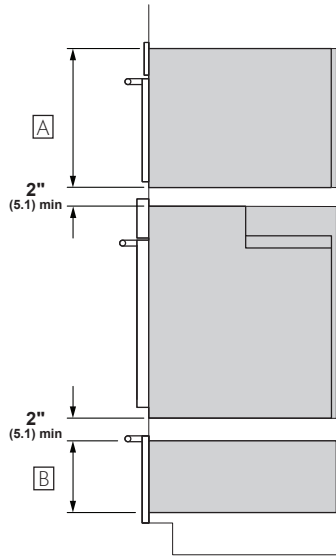
Allow 1/8" (0.3) clearances from side edges of oven door.

## UNDERCOUNTER INSTALLATION



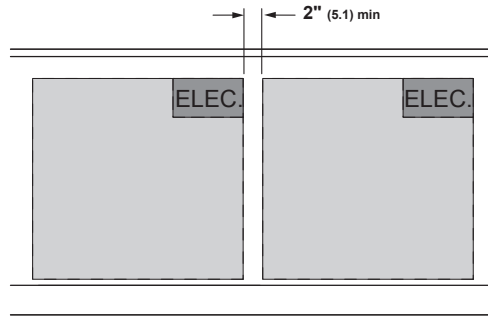
For more details, refer to the installation instructions for this product on Monogram.com. Dimensions in parentheses are in centimeters unless otherwise noted.

**INSTALLATION WITH ADVANTIUM AND WARMING DRAWER**



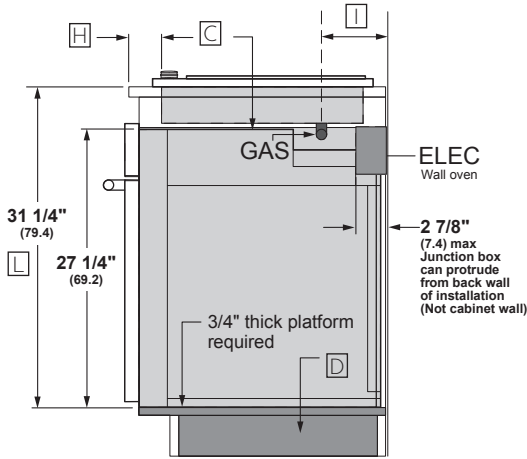
**STANDARD INSTALLATION  
SIDE VIEW**

**SIDE BY SIDE INSTALLATION**

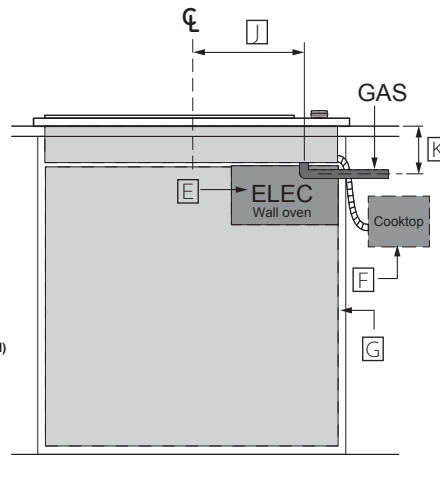


**SIDE-BY-SIDE INSTALLATION  
FRONT VIEW OF CUTOUTS**

**UNDER COOKTOP INSTALLATION**



**STANDARD INSTALLATION  
SIDE VIEW**



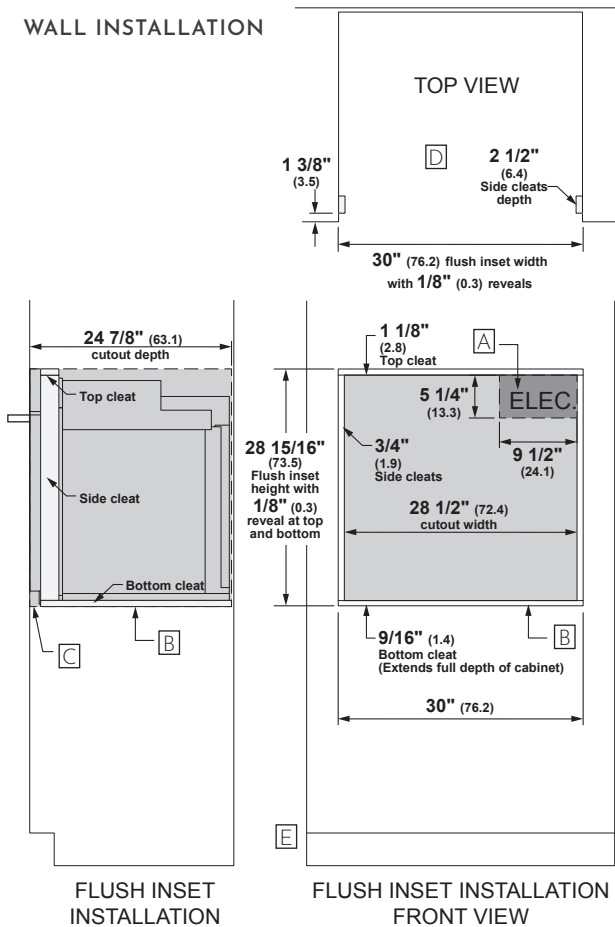
**FRONT VIEW**

For more details, refer to the installation instructions for this product on [Monogram.com](http://Monogram.com). Dimensions in parentheses are in centimeters unless otherwise noted.

**HELPFUL TIPS**

- A** Dimensions per Advantium or Microwave Oven requirements.
- B** Dimension per Warming Drawer requirements.
- C** Note this oven is only approved to be installed under specific models as labeled on this unit.
- D** Support platform made of 3/4" (1.9 cm) wood is required. Must be capable of supporting 220 lbs (99 kg). Support Platform base to be same height as toe kick.
- E** Junction box location for wall oven. (May also be located in adjacent cabinet).
- F** Gas regulator and electric connections for cooktops must be located in an adjacent accessible location to the right.
- G** Top and/or side fillers may be necessary if unit is positioned between existing cabinets. Be sure they are attached securely, since they will anchor the oven in the cabinet.
- H** For flush oven installations, the cooktop cutout must be set back 2 1/2" (6.4cm) plus the cleat setback.
- I** Dimension varies based on model. Example:  
ZGU36 5 1/2" (14.0cm) from wall  
ZGU30 4 5/16" (11.0cm) from wall
- J** Dimension varies based on model. Example:  
ZGU36 0" (centerline)  
ZGU30 12 1/16" (30.6cm) (centerline)
- K** Dimension varies based on model. Example:  
ZGU36 5 1/2" (14.0)cm, requires use of 90° 1/2" FPT x 1/2" FL brass street elbow  
ZGU30 5" (12.7cm)
- L** Minimum 31 1/4" from the top surface of the countertop to the top surface of the wall oven support platform when installed beneath a certified cooktop.

## WALL INSTALLATION

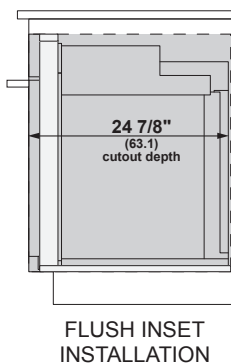


## HELPFUL TIPS

- [A] Junction box location (May also be located in adjacent cabinet.)
- [B] Platform must be able to support 220 lbs (99 kg).
- [C] Cabinet surfaces must be an appearance finished surface for flush installation.
- [D] Cleats may be visible and should be finished to match cabinetry.
- [E] If using optional flush install vent trim accessory ZX30VT1, please adjust cutout height to 28-5/8" and bottom cleat height to 1/4".

Allow 1/8" (0.3 cm) clearances from side edges of oven door.

## UNDERCOUNTER INSTALLATION



For more details, refer to the installation instructions for this product on Monogram.com. Dimensions in parentheses are in centimeters unless otherwise noted.