

MONOGRAM 30" BUILT-IN ADVANTIUM® 240 ZSB9232NSS



THE MONOGRAM STATEMENT COLLECTION

Edge-to-edge handles, polished stainless steel and hand finished edges convey a sense of solidity and beauty

5-IN-1-OVEN

Experience exceptional flexibility and cooking results with this innovative five-in-one oven. Advantium® Technology enhanced, it can be used as a convection oven, toaster oven, warming/proofing oven, precision cook oven, and microwave

PRECISION COOKING MODES

Master new recipes and perfectly execute favorite dishes using this ultra-smart system that automatically tracks cooking progress, modifies temperatures and adjusts cook times

POWERFUL PERFORMANCE

Oven-quality foods cook up to eight times faster than a conventional oven, with no preheating required

SOPHISTICATED STYLING

Elegant design and clean lines offer a stylish, modern look that complements the rest of the Monogram kitchen

SPACIOUS INTERIOR

Generous, 1.7-cu.-ft oven space with a large 16" turntable allows for full rotation of a 9" x 13" casserole dish; plus the removable oven rack offers the convenience of multi-level cooking

PREPROGRAMMED RECIPES

Provide quick and easy programming of over 175 pre-set food selections and allows programming of up to 30 custom recipes

INSTALLATION FLEXIBILITY

Ovens can be installed in 30" wall cabinet

LCD CONTROLS

Allow you to adjust oven settings with little effort

STORAGE DRAWER

For 30" 5-In-1 Ovens - UXB903SNSS



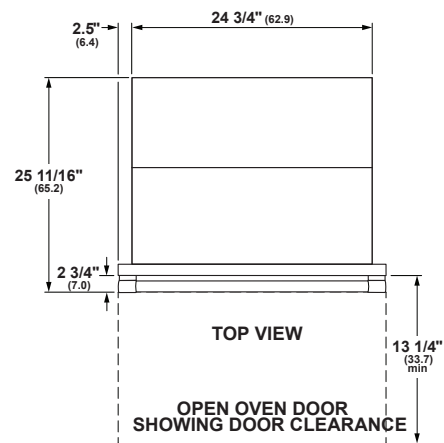
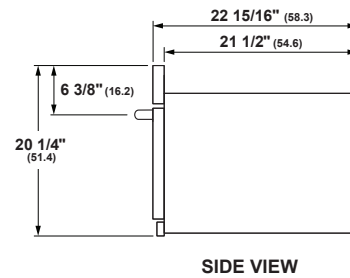
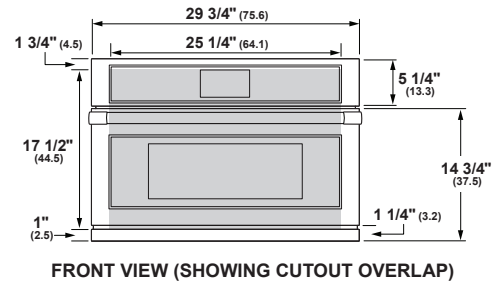
SPECIFICATIONS

Overall Width	29 3/4" (75.6 cm)
Overall Height	20 1/4" (51.4 cm)
Overall Depth (includes control panel thickness)	22 15/16" (58.3 cm)
Oven Door Clearance	13" (33.0 cm)
Overall Oven Interior Capacity	1.7 cu. ft.
Oven Interior Dimensions (W x H x D)	20 1/16" x 8 1/2" x 17" (51 cm x 21.6 cm x 43.2 cm)
Minimum Cabinet Width	30" (76.2 cm)
Minimum Cabinet Depth	23 1/2" (59.7 cm)
Minimum Base Support	130 lbs (59 kg)
Cutout Width	25 1/4" (64.1 cm)
Cutout Height	17 1/2" (44.5 cm)
Cutout Depth	23 1/2" (59.7 cm) Min
Voltz/Hertz/Amps	240/208V AC, 60 Hz, 30A
Conduit Length	48 1/2" (123.2 cm)
Electrical Rating	4.72 kW at 208V 6.3 kW at 240V
Total Amps	30 amps
Shipping Weight	92 lbs (41.7 kg)

ATTENTION ELECTRICIAN:

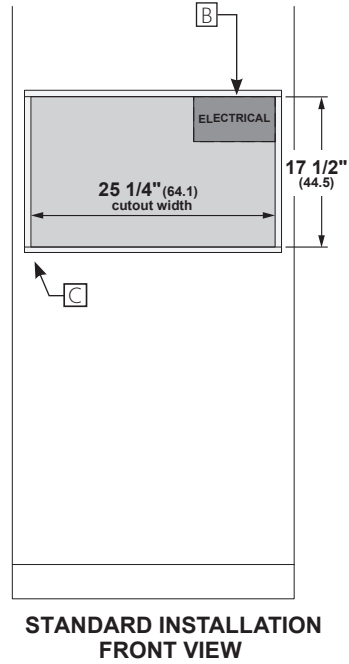
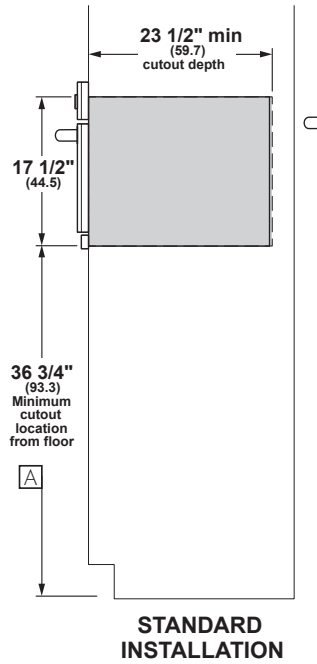
A 240/208V, 60Hz, 30 Amp circuit is required. An individual properly grounded branch circuit or circuit breaker is required. Hardware junction box is required for built-in product.

OVERALL DIMENSIONS



Dimensions in parentheses are in centimeters unless otherwise noted. Actual product dimensions may vary due to manufacturing tolerances.

WALL INSTALLATION



HELPFUL TIPS

- A** Based on a user height of 5' 6" to 5' 10"
- B** Junction box location (May also be located in adjacent cabinet.)
- C** Platform must be able to support cabinet load, weight of oven, and additional oven loads

For more details, refer to the installation instructions for this product on Monogram.com. Dimensions in parentheses are in centimeters unless otherwise noted.