



Buy it for looks. Buy it for life.®

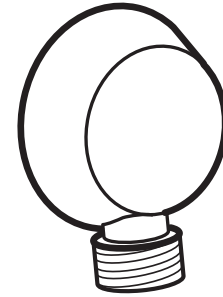
Specifications

DESCRIPTION

- Metal construction with various finishes identified by suffix

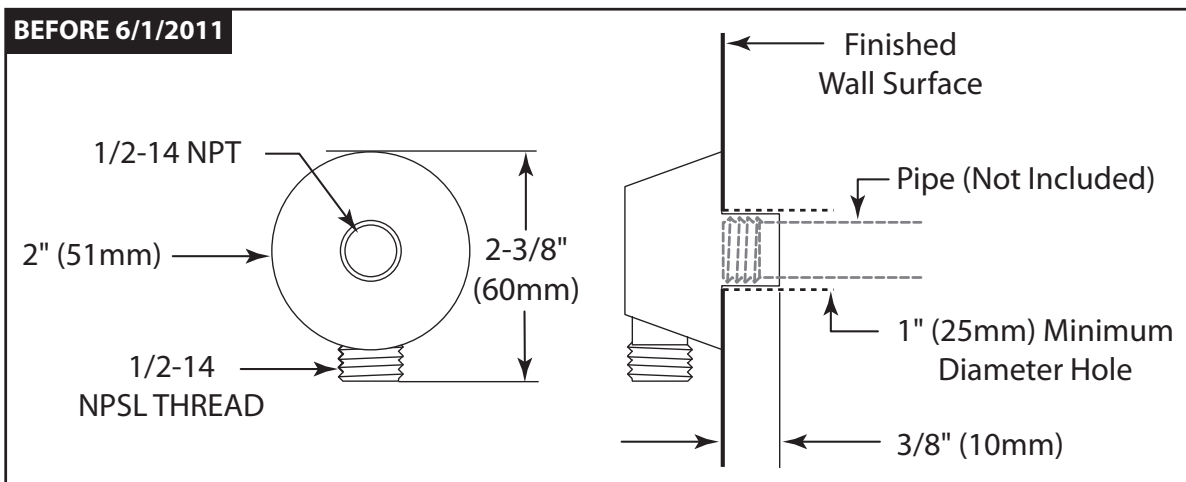
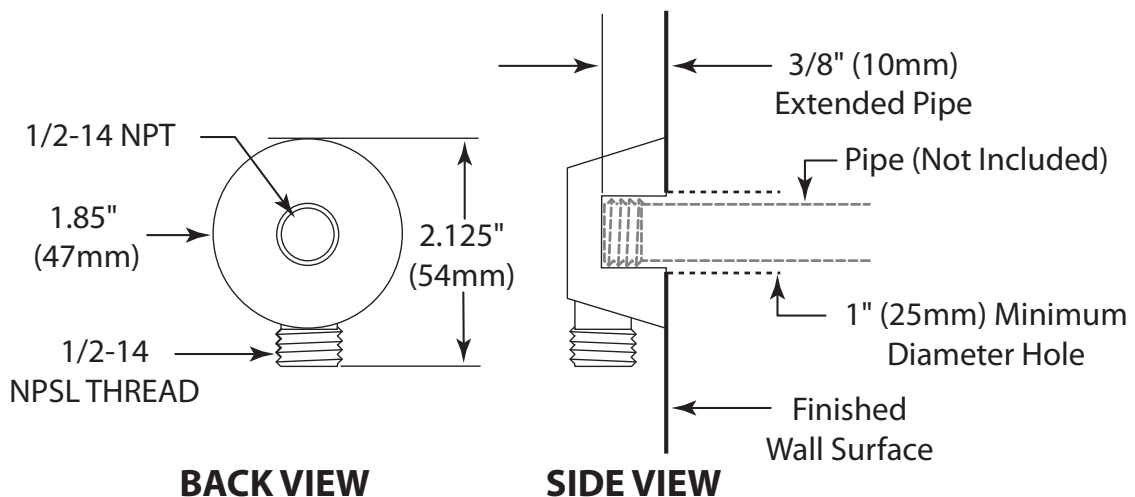
WARRANTY

- Warranted for one year against material or manufacturing defects



DROP ELL

Models: A725 series



CRITICAL DIMENSIONS

(DO NOT SCALE)



Buy it for looks. Buy it for life.®

Specifications

DESCRIPTION

- Various finishes identified by suffix
- Handheld shower
- 69" double interlock spiral hose (metal)
- Vacuum breaker
- 30" slide bar with push button height selection

OPERATION

- Single function
- Handshower holder rotates to adjust angle of handshower

FLOW

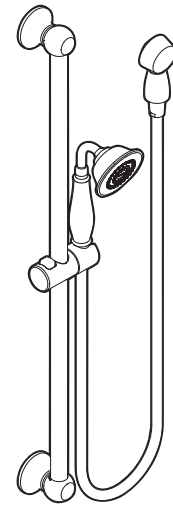
- Designed to deliver 1.75 gpm (6.6 L/min) at 80 psi

STANDARDS

- Designed and manufactured to comply with the applicable requirements of CSA B-125.1, ASME A112.18.1 and ASSE 1014 and all applicable specifications referenced therein

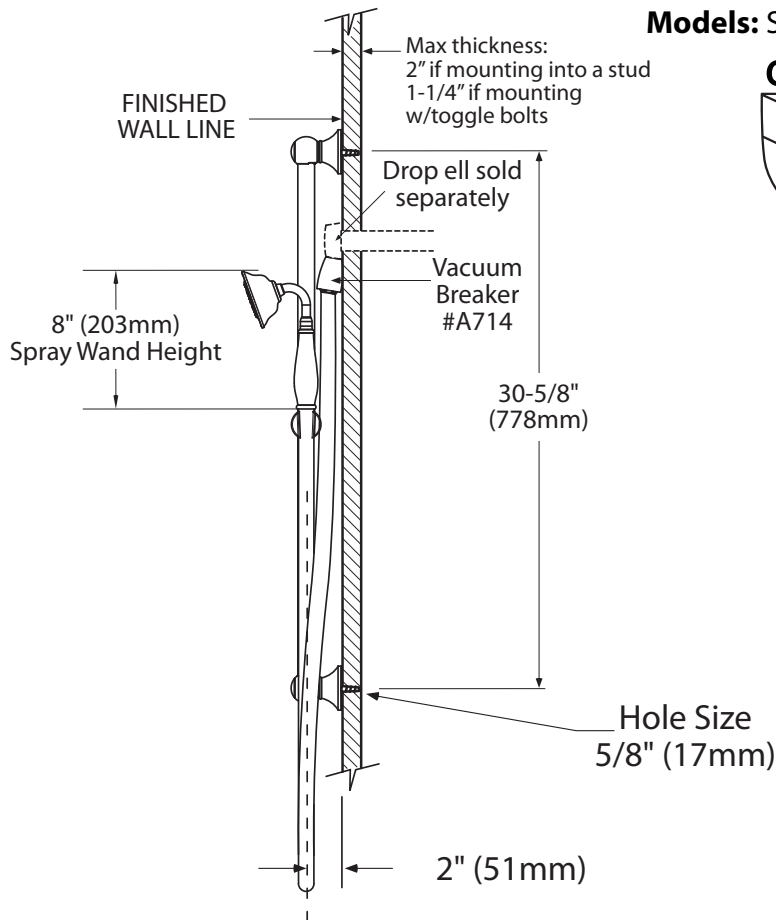
WARRANTY

- Lifetime limited warranty against material or manufacturing defects



Weymouth™
Single Function Handshower
with Slidebar

Models: S12107EP series



CRITICAL DIMENSIONS

(DO NOT SCALE)



Buy it for looks. Buy it for life.®

Specifications

DESCRIPTION

- Single function spray with various finishes identified by suffix
- Immersion technology

OPERATION

- Spray face tilts 20 degrees in any direction

FLOW

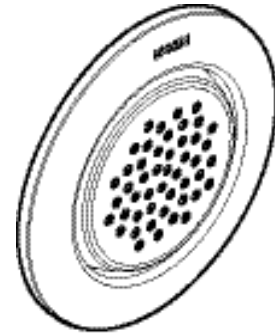
- Designed to deliver 2.0 gpm max (7.6 L/min) at 80 psi

STANDARDS

- Third party certified to ASME A112.18.1/ CSA B125.1, and all applicable requirements referenced therein

WARRANTY

- Lifetime limited warranty against leaks and finish defects to the original consumer purchaser
- 5 year warranty if used in commercial installations

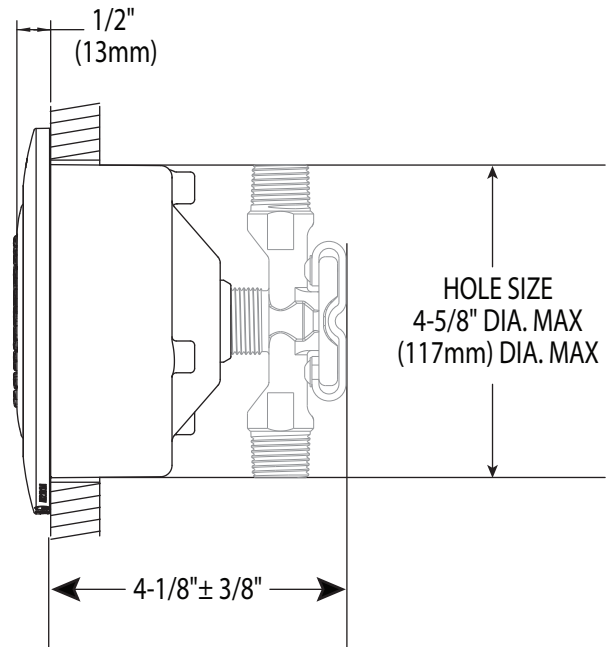
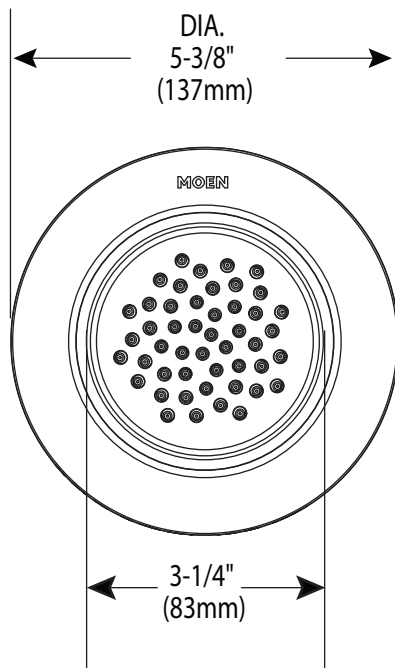


Single Function Body Spray

Models: TS1322 series

Rough-In: S1300

1" Extension Kit: 155656
(available separately)



CRITICAL DIMENSIONS

(DO NOT SCALE)



Buy it for looks. Buy it for life.®

Specifications

FAUCET DESCRIPTION

- Metal construction with various finishes identified by suffix
- Includes 9" rainshower showerhead, arm and flange
- For use with S3371, 3/4" thermostatic valve and S3600, volume control valve

OPERATION

- Flow lever operates counterclockwise through a 90° arc with shut off at 6 o'clock and maximum flow at the 3 o'clock position. Shut off in clockwise direction
- Temperature lever operates through a 340° arc with maximum cold at full clockwise rotation and maximum hot at full counterclockwise rotation
- Safety stop preset temperature at 105°F (41°C)
- Safety stop override allows maximum temperature at 120°F (49°C)
- Factory established temperature range from 70°F (21°C) to 120°F (49°C)
- Shower: Two function, rain and rinse: operate lever to select

FLOW

- Showerhead is limited to 2.5 gpm (9.5 L/min) at 80 psi

CARTRIDGE

- 130156 thermostatic cartridge design with non metallic/nonferrous materials
- 130157 volume ceramic disc cartridge design

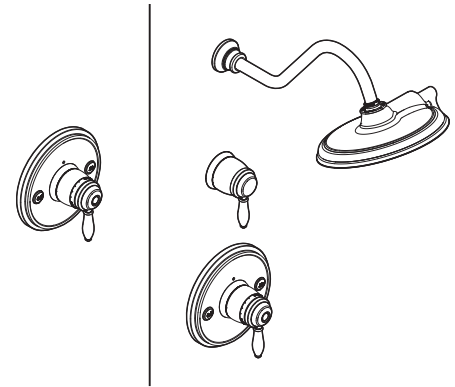
STANDARDS

- Third party certified to: ASME A112.18./CSA B-125.1, ASSE1016 and all applicable requirements referenced therein

- **ADA**  for lever handle

WARRANTY

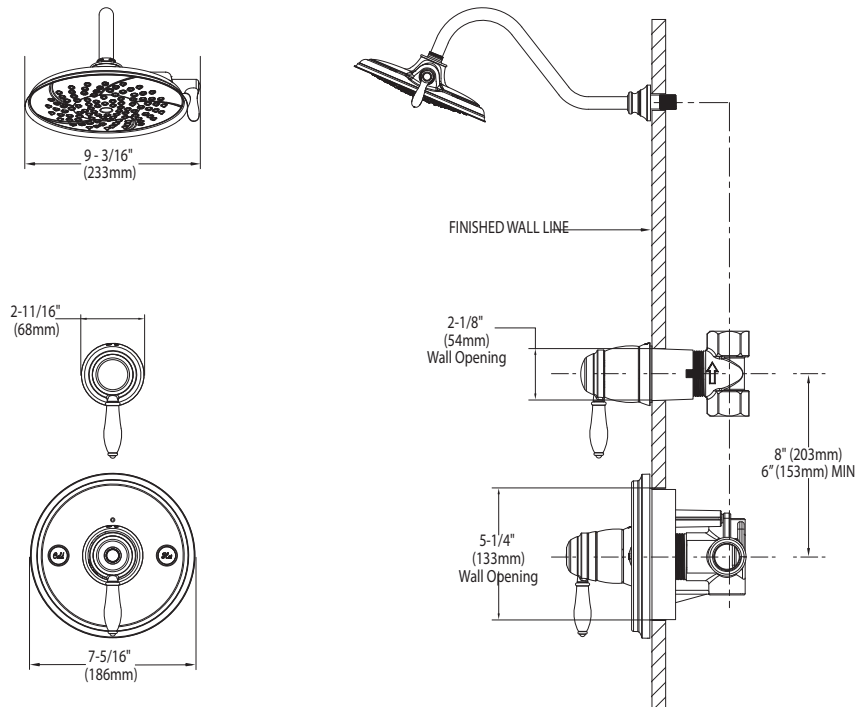
- Lifetime limited warranty against leaks, drips and finish defects to the original consumer purchaser
- 5 year warranty if used in commercial installations



WEYMOUTH™ 3/4" Thermostatic Shower Trim

Models: TS32110 series - Valve Trim only
TS32112 series - Shower Trim only

Valve Models: S3371, S3600
(sold separately)



CRITICAL DIMENSIONS

(DO NOT SCALE)



Buy it for looks. Buy it for life.®


DESCRIPTION

- Metal construction with various finishes identified by suffix
- For use with S3600 3/4" volume control valve

OPERATION

- Lever style handle operation

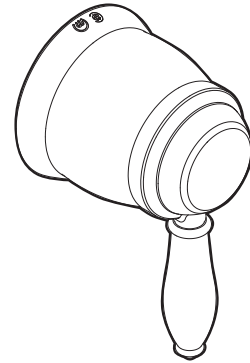
STANDARDS

- Third party certified to meet ASME A112.18.1/CSA B125.1, and all applicable requirements referenced therein
- **ADA**  for lever handle

WARRANTY

- Lifetime limited warranty against leaks, drips and finish defects to the original consumer purchaser
- 5 year warranty if used in commercial installations

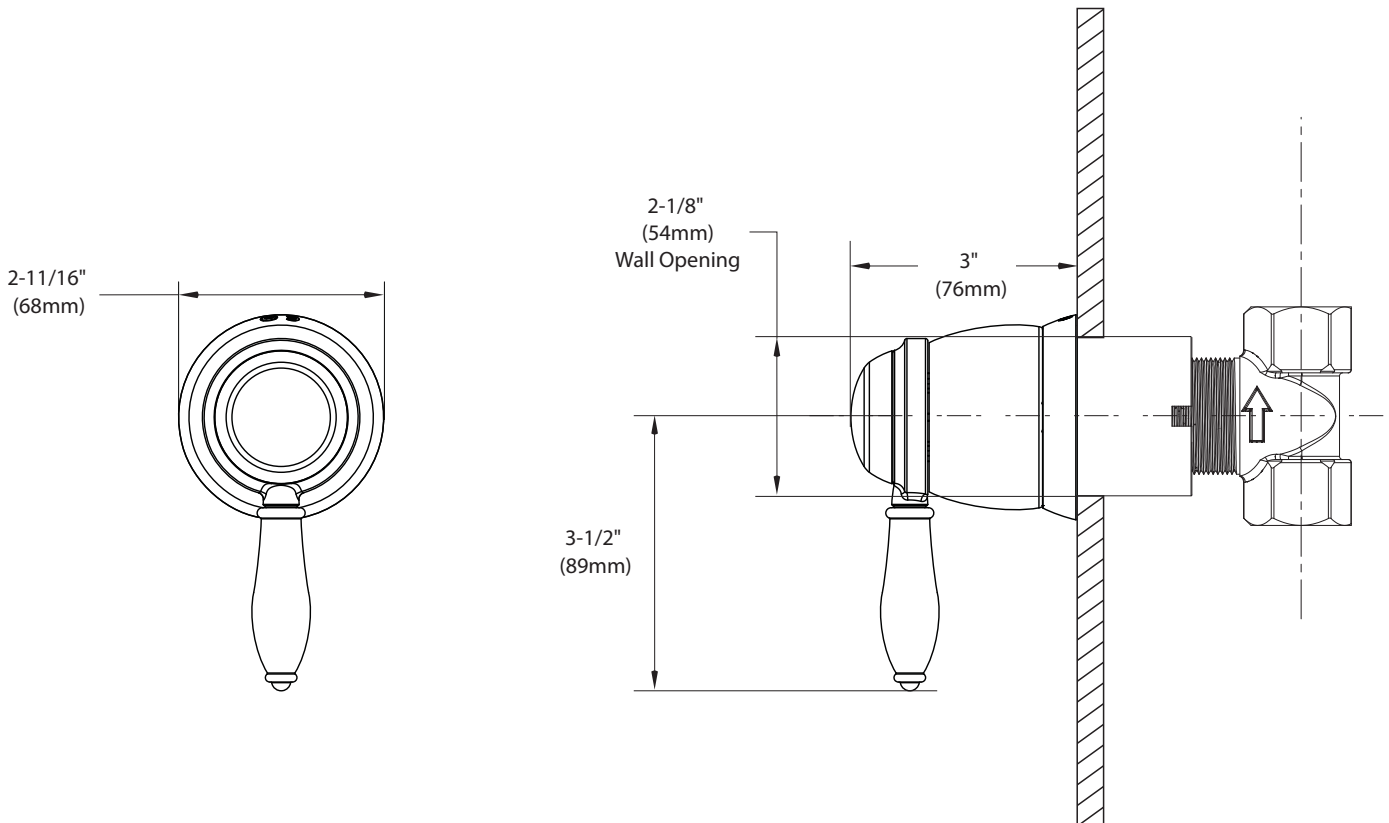
Specifications



WEYMOUTH™
Single Function Flow Valve Trim

Models: TS52104 series

Valve: S3600 (sold separately)



CRITICAL DIMENSIONS

(DO NOT SCALE)