



Buy it for looks. Buy it for life.®

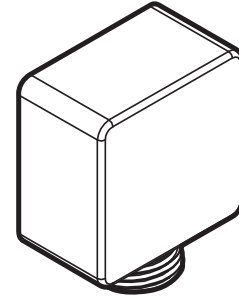
Specifications

DESCRIPTION

- Metal construction with various finishes identified by suffix

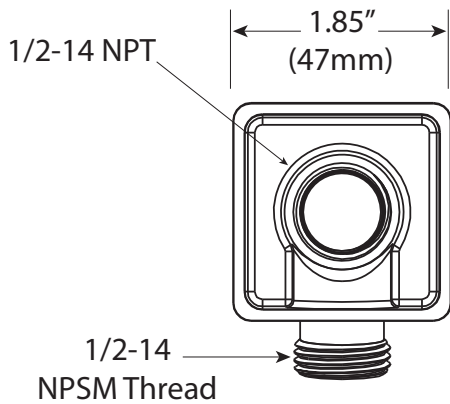
WARRANTY

- Lifetime warranty against material or manufacturing defects

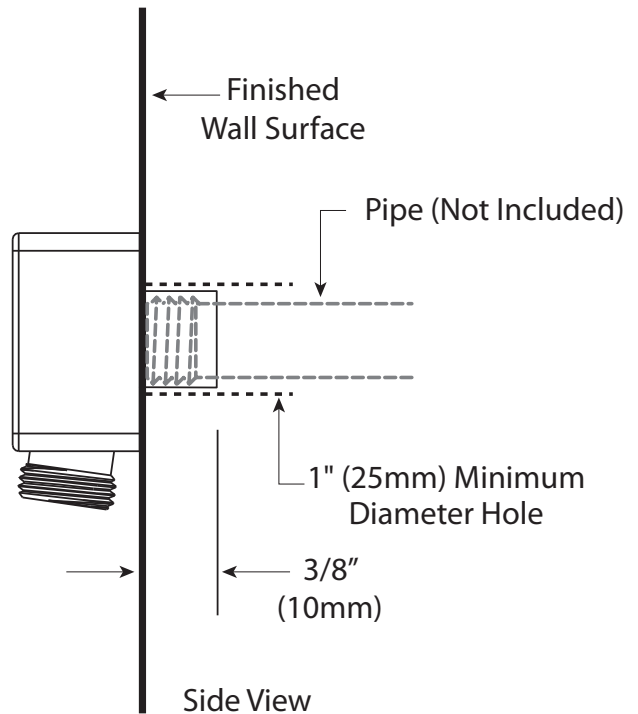


DROP ELL

Models: A721 series



Back View



Side View

CRITICAL DIMENSIONS

(DO NOT SCALE)



Buy it for looks. Buy it for life.®

Specifications

DESCRIPTION

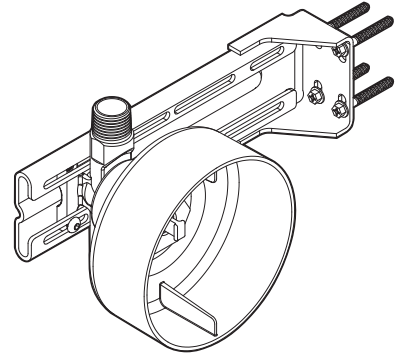
- Metal construction
- 1/2" CC and IPS connections
- Includes mounting bracket and test plug

STANDARDS

- Third party certified to ASME A112.18.1/ CSA B125.1, and all applicable requirements referenced therein

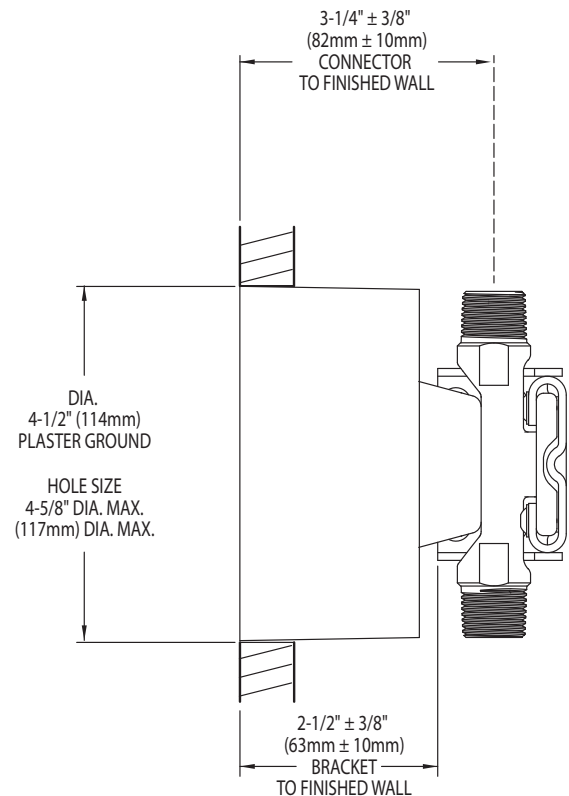
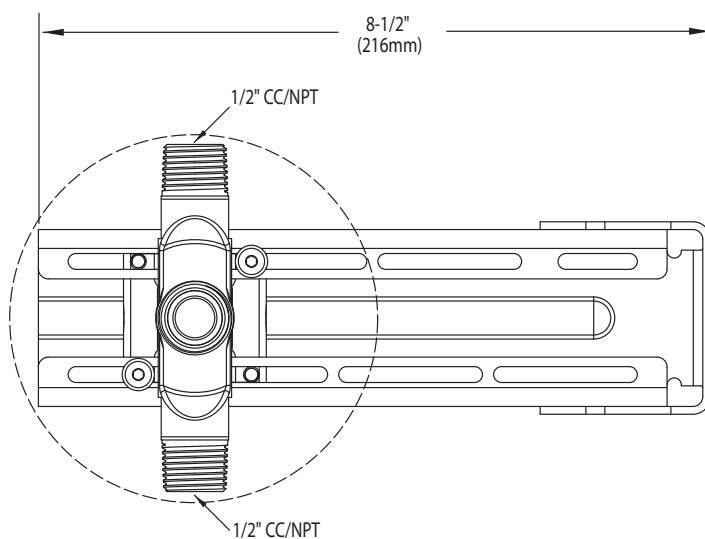
WARRANTY

- Lifetime limited warranty against leaks to the original consumer purchaser
- 5 year warranty if used in commercial installations



Body Spray Rough-In

Model: S1300



CRITICAL DIMENSIONS

(DO NOT SCALE)

FOR MORE INFORMATION CALL: 1-800-BUY-MOEN

www.moen.com



Buy it for looks. Buy it for life.®

Specifications

DESCRIPTION

- Brass construction
- 3/4" IPS connections
- Thermostatic valve design with integral checkstops
- 18 gpm @ 60 psi

OPERATION

- Temperature lever operates through a 340 degree arc with maximum cold at full clockwise rotation and maximum hot at full counterclockwise rotation
- Safety stop preset temperature at 105 degrees F (41degrees C)
- Safety stop override allows maximum temperature at 120 degrees F (49 degrees C)
- Factory established temperature range from 80 degrees F (27 degrees C) to 120 degrees F (49 degrees C)
- Must be used with at least one S3600 valve.

CARTRIDGE

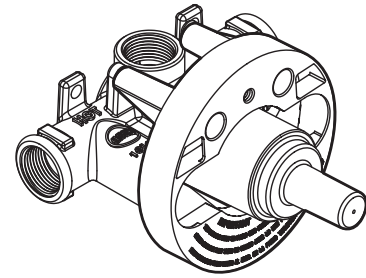
- Thermostatic cartridge design with non metallic/nonferrous materials

STANDARDS

- Third party certified to meet ASME A112.18.1/CSA B-125.1, CSA B125.3, ASSE 1016, ASSE 1070 and all applicable requirements referenced therein

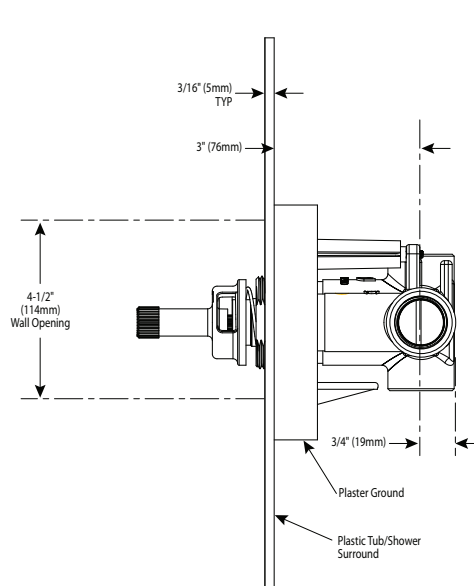
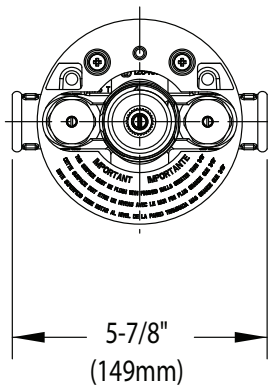
WARRANTY

- Lifetime limited warranty against leaks, drips and finish defects to the original consumer purchaser
- 5 year warranty if used in commercial installations

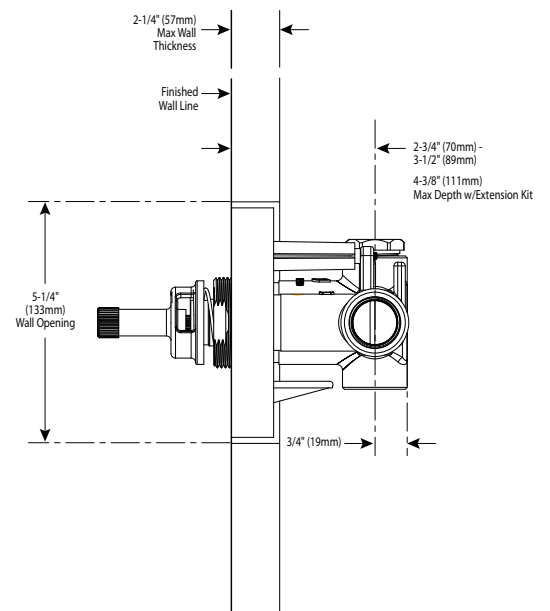


ExactTemp® 3/4" Thermostatic Valve

Model: S3371



Thin Wall



Thick Wall

CRITICAL DIMENSIONS

(DO NOT SCALE)



Buy it for looks. Buy it for life.®

Specifications

DESCRIPTION

- Brass construction
- 3/4" IPS connections
- 13 gpm @ 60 psi

OPERATION

- Flow lever operates counterclockwise through a 90° arc with off at 6 o'clock and maximum flow at the 3 o'clock position.
- Shut off in clockwise direction

CARTRIDGE

- Ceramic disc cartridge design

INSTALLATION

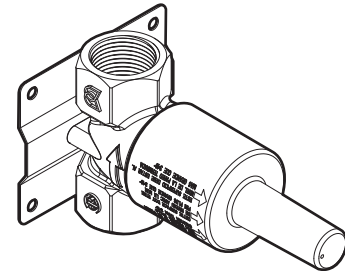
- Volume control valve must be installed with the arrow pointing in the water flow direction

STANDARDS

- Third party certified to meet CSA B-125.1, ASME A112.18.1 and all applicable requirements referenced therein including ASSE1016

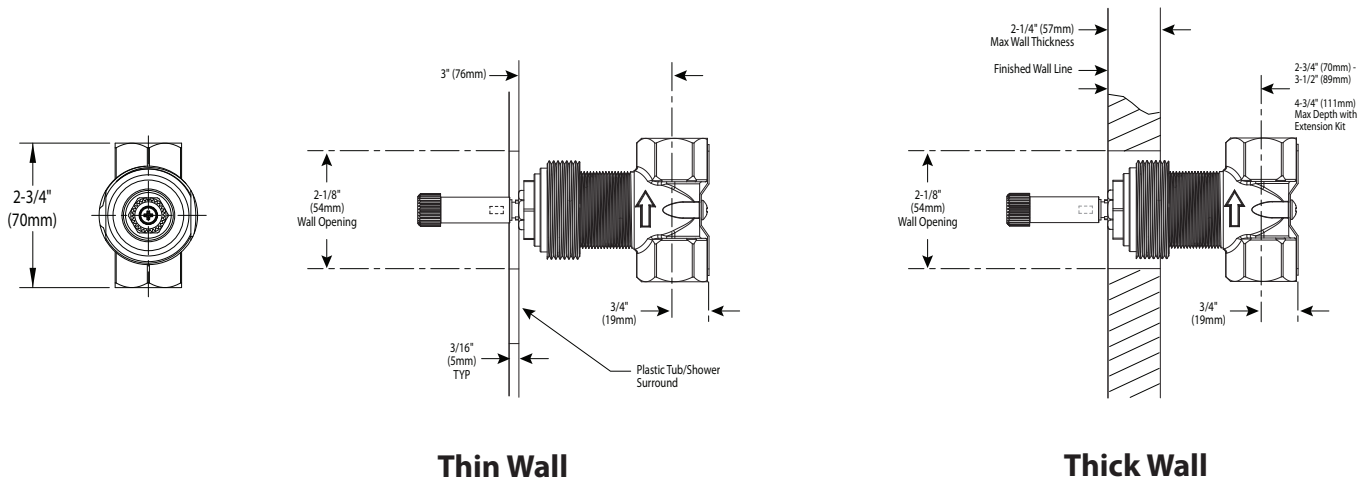
WARRANTY

- Lifetime limited warranty against leaks, drips and finish defects to the original consumer purchaser
- 5 year warranty if used in commercial installations



3/4" Volume Control Valve

Model: S3600



CRITICAL DIMENSIONS

(DO NOT SCALE)



Buy it for looks. Buy it for life.®

Specifications

DESCRIPTION

- Various finishes identified by suffix
- Handheld shower
- 69" double interlock spiral hose (metal)
- Double check valve in handle
- 30" slide bar with push button height selection

OPERATION

- Single function
- Handshower holder rotates to adjust angle of handshower

FLOW

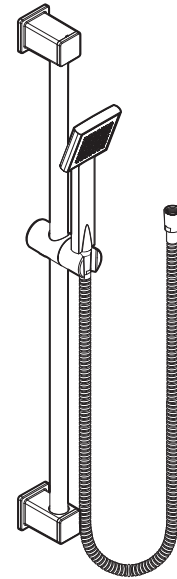
- EP17 suffix models designed to deliver 1.75 gpm (6.7 L/min) max
- EP suffix models designed to deliver 2.0 gpm (7.6 L/min) max at 80 psi

STANDARDS

- Designed and manufactured to meet: ASME A112.18.1/CSA B-125.1, ASSE 1014 and all applicable specifications referenced therein

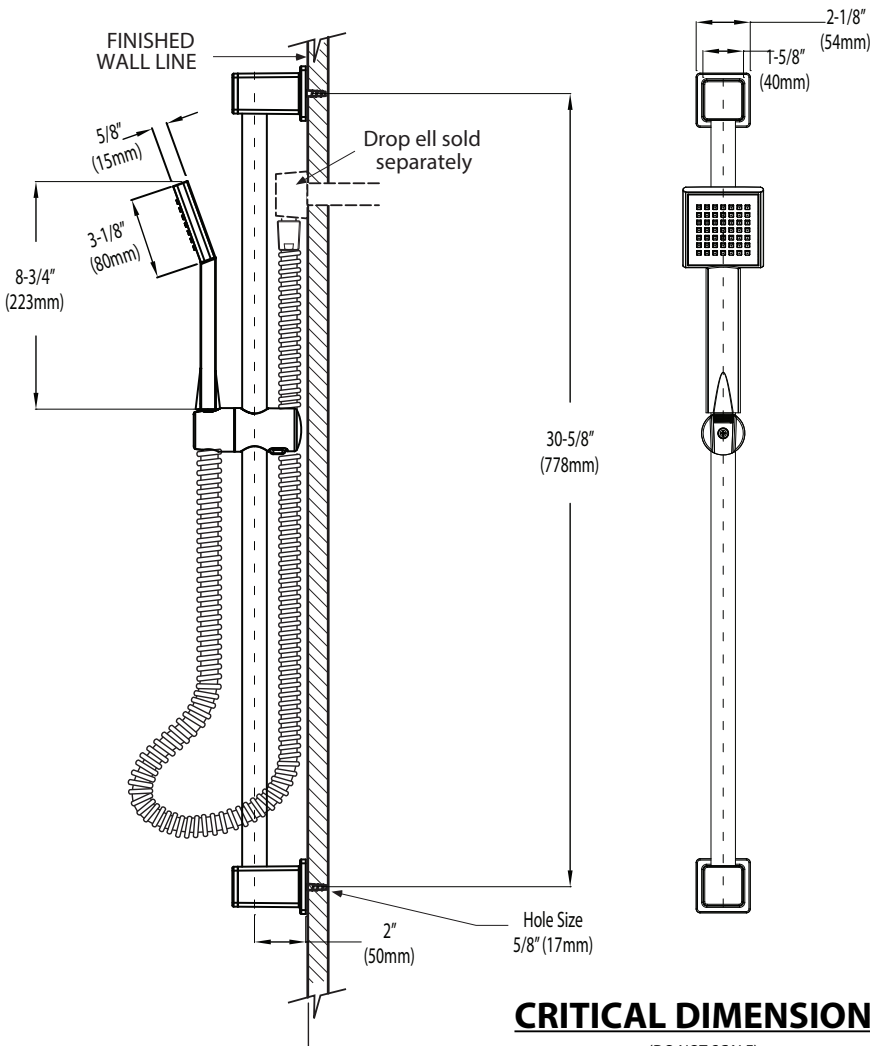
WARRANTY

- Limited lifetime warranty against material or manufacturing defects



90 DEGREE™ Single Function Handshower w/Slide Bar

Model: S3879EP series



FOR MORE INFORMATION CALL: 1-800-BUY-MOEN

www.moen.com



Buy it for looks. Buy it for life.®

Specifications

DESCRIPTION

- Single function spray with various finishes identified by suffix
- Immersion technology

OPERATION

- Spray face tilts 20 degrees in any direction

FLOW

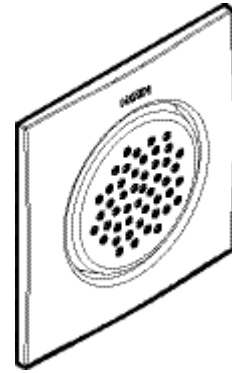
- Designed to deliver 2.0 gpm max (7.6 L/min) at 80 psi

STANDARDS

- Third party certified to ASME A112.18.1/ CSA B125.1, and all applicable requirements referenced therein

WARRANTY

- Lifetime limited warranty against leaks and finish defects to the original consumer purchaser
- 5 year warranty if used in commercial installations

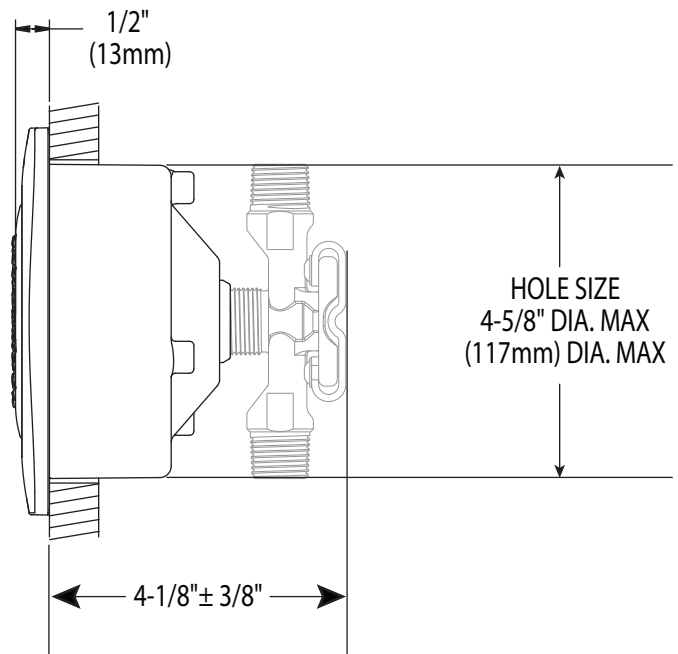
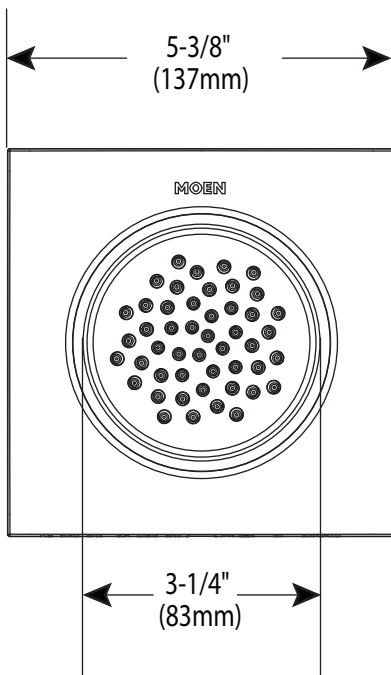


Single Function Body Spray

Models: TS1320 series

Rough-In: S1300

1" Extension Kit: 155656
(available separately)



CRITICAL DIMENSIONS

(DO NOT SCALE)



Buy it for looks. Buy it for life.®

Specifications

FAUCET DESCRIPTION

- Metal construction with various finishes identified by suffix
- Includes showerhead, arm and flange
- For use with S3371, 3/4" thermostatic valve and S3600, volume control valve

OPERATION

- Flow lever operates counterclockwise through a 90° arc with shut off at 6 o'clock and maximum flow at the 3 o'clock position. Shut off in clockwise direction
- Temperature lever operates through a 340° arc with maximum cold at full clockwise rotation and maximum hot at full counterclockwise rotation
- Safety stop preset temperature at 105°F (41°C)
- Safety stop override allows maximum temperature at 120°F (49°C)
- Factory established temperature range from 70°F (21°C) to 120°F (49°C)

FLOW

- Showerhead is limited to 2.5 gpm (9.5 L/min) at 80 psi

CARTRIDGE

- 130156 thermostatic cartridge design with non metallic/nonferrous materials
- 130157 volume ceramic disc cartridge design

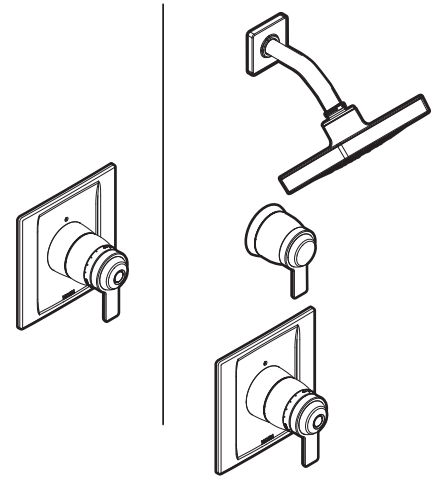
STANDARDS

- Third party certified to: ASME A112.18./CSA B-125.1, ASSE1016 and all applicable requirements referenced therein

- **ADA** for lever handle

WARRANTY

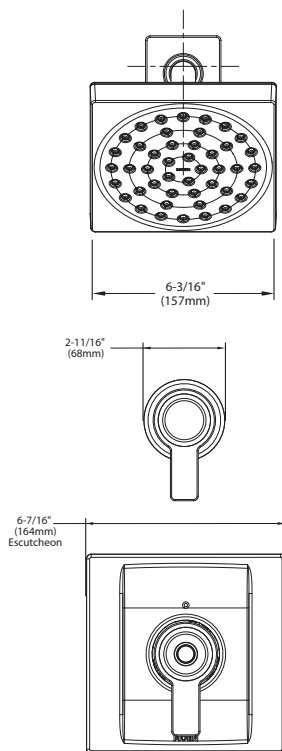
- Lifetime limited warranty against leaks, drips and finish defects to the original consumer purchaser
- 5 year warranty if used in commercial installations



90 DEGREE™ 3/4" Thermostatic Shower Trim

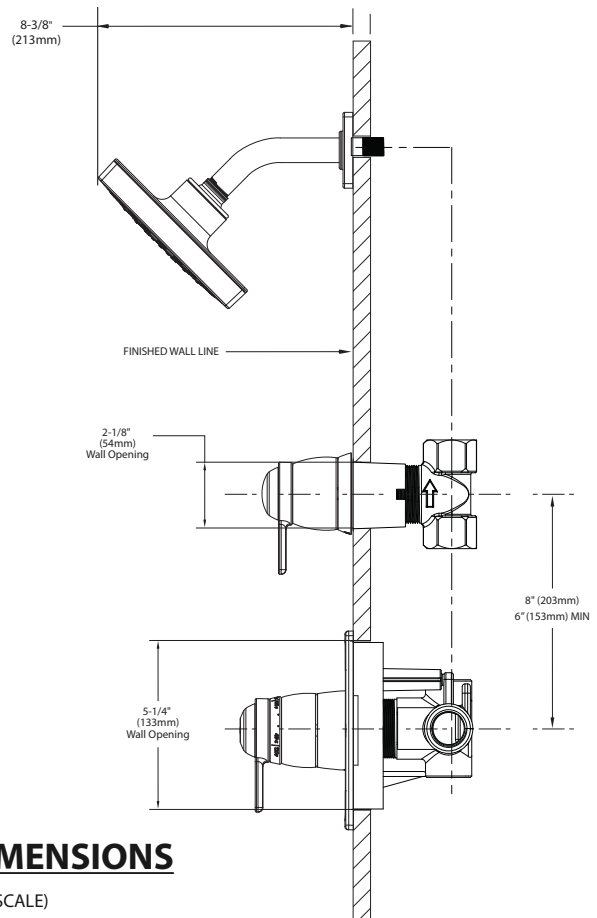
Models: TS3100 series - Valve Trim only
TS7115 series - Shower Trim only

Valves: S3371 - thermostatic
S3600 - volume control



CRITICAL DIMENSIONS

(DO NOT SCALE)



TO ORDER PARTS CALL: 1-800-BUY-MOEN
www.moen.com



Buy it for looks. Buy it for life.®

Specifications


DESCRIPTION

- Metal construction with various finishes identified by suffix
- For use with S3600 3/4" volume control valve

OPERATION

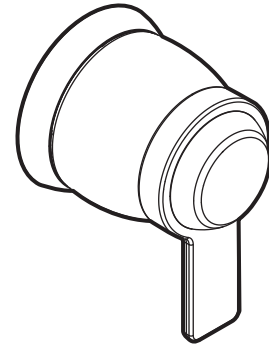
- Lever style handle operation

STANDARDS

- Third party certified to meet ASME A112.18.1/CSA B125.1, and all applicable requirements referenced therein
- **ADA**  for lever handle

WARRANTY

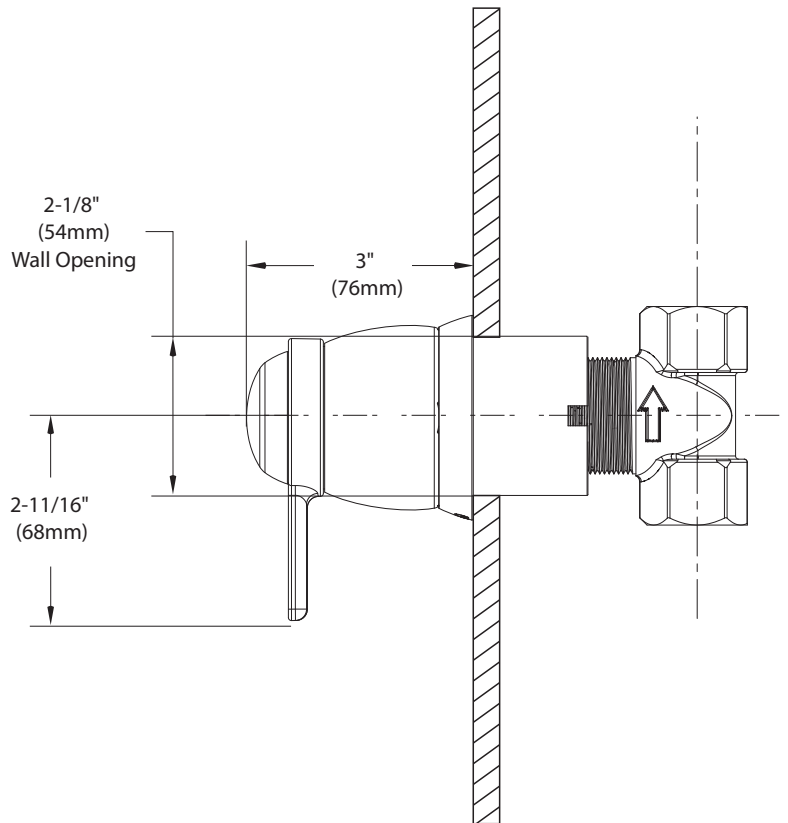
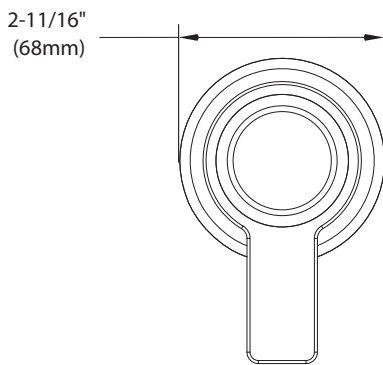
- Lifetime limited warranty against leaks, drips and finish defects to the original consumer purchaser
- 5 year warranty if used in commercial installations



90 DEGREE™ Single Function Flow Valve Trim

Models: TS3300 series

Valve: S3600 (sold separately)



CRITICAL DIMENSIONS

(DO NOT SCALE)