



Buy it for looks. Buy it for life.®

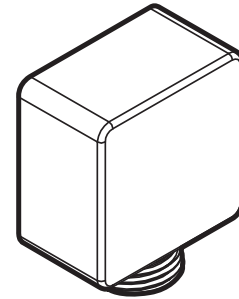
# Specifications

### DESCRIPTION

- Metal construction with various finishes identified by suffix

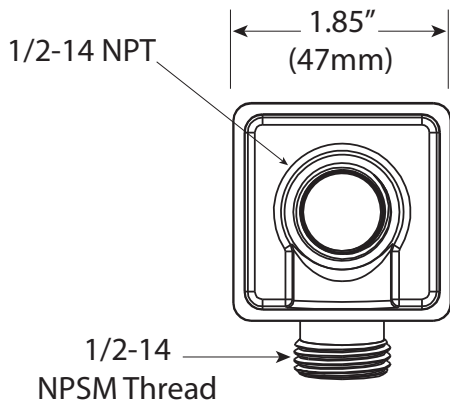
### WARRANTY

- Lifetime warranty against material or manufacturing defects

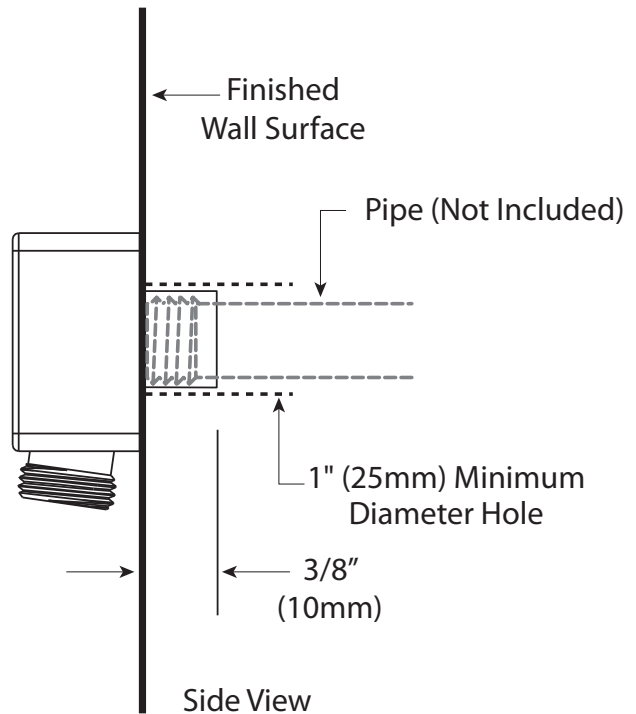


**DROP ELL**

**Models:** A721 series



Back View



Side View

## CRITICAL DIMENSIONS

(DO NOT SCALE)



Buy it for looks. Buy it for life.®

# Specifications

## DESCRIPTION

- Brass construction
- 3/4" IPS connections
- Thermostatic valve design with integral checkstops
- 18 gpm @ 60 psi

## OPERATION

- Temperature lever operates through a 340 degree arc with maximum cold at full clockwise rotation and maximum hot at full counterclockwise rotation
- Safety stop preset temperature at 105 degrees F ( 41degrees C)
- Safety stop override allows maximum temperature at 120 degrees F (49 degrees C)
- Factory established temperature range from 80 degrees F (27 degrees C) to 120 degrees F (49 degrees C)
- Must be used with at least one S3600 valve.

## CARTRIDGE

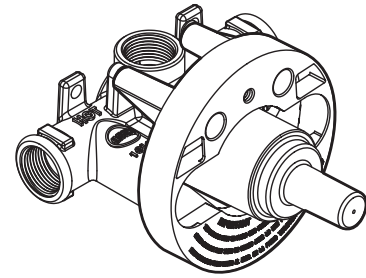
- Thermostatic cartridge design with non metallic/nonferrous materials

## STANDARDS

- Third party certified to meet ASME A112.18.1/CSA B-125.1, CSA B125.3, ASSE 1016, ASSE 1070 and all applicable requirements referenced therein

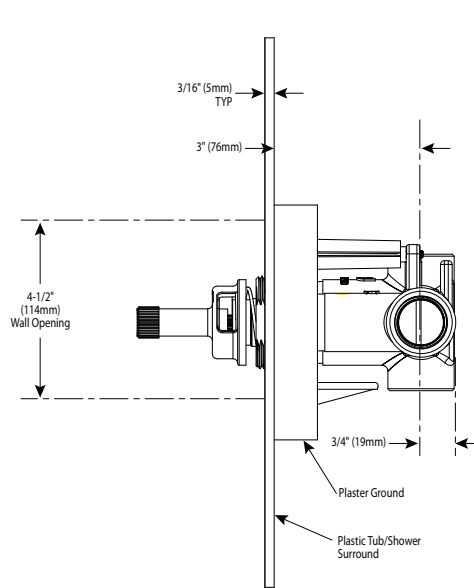
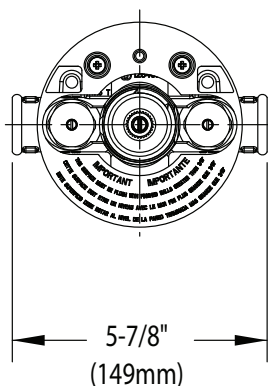
## WARRANTY

- Lifetime limited warranty against leaks, drips and finish defects to the original consumer purchaser
- 5 year warranty if used in commercial installations

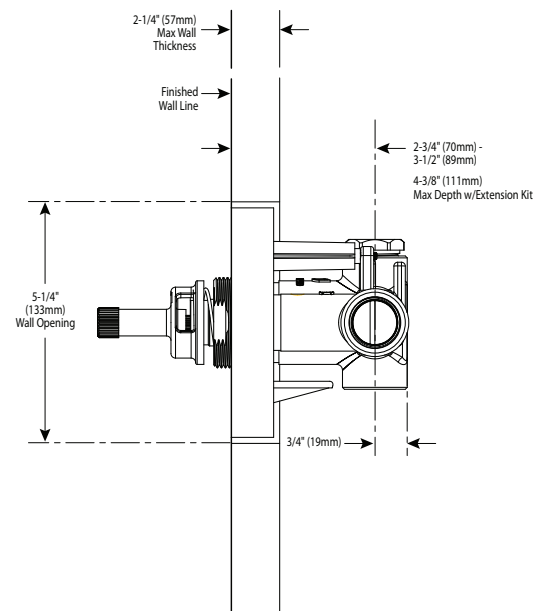


## ExactTemp® 3/4" Thermostatic Valve

Model: S3371



Thin Wall



Thick Wall

## CRITICAL DIMENSIONS

(DO NOT SCALE)



Buy it for looks. Buy it for life.®

# Specifications

## DESCRIPTION

- Brass construction
- 3/4" IPS connections
- 13 gpm @ 60 psi

## OPERATION

- Flow lever operates counterclockwise through a 90° arc with off at 6 o'clock and maximum flow at the 3 o'clock position.
- Shut off in clockwise direction

## CARTRIDGE

- Ceramic disc cartridge design

## INSTALLATION

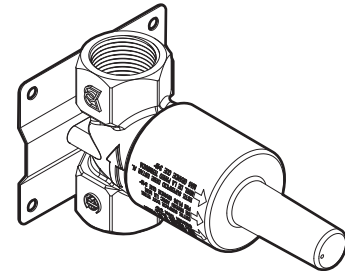
- Volume control valve must be installed with the arrow pointing in the water flow direction

## STANDARDS

- Third party certified to meet CSA B-125.1, ASME A112.18.1 and all applicable requirements referenced therein including ASSE1016

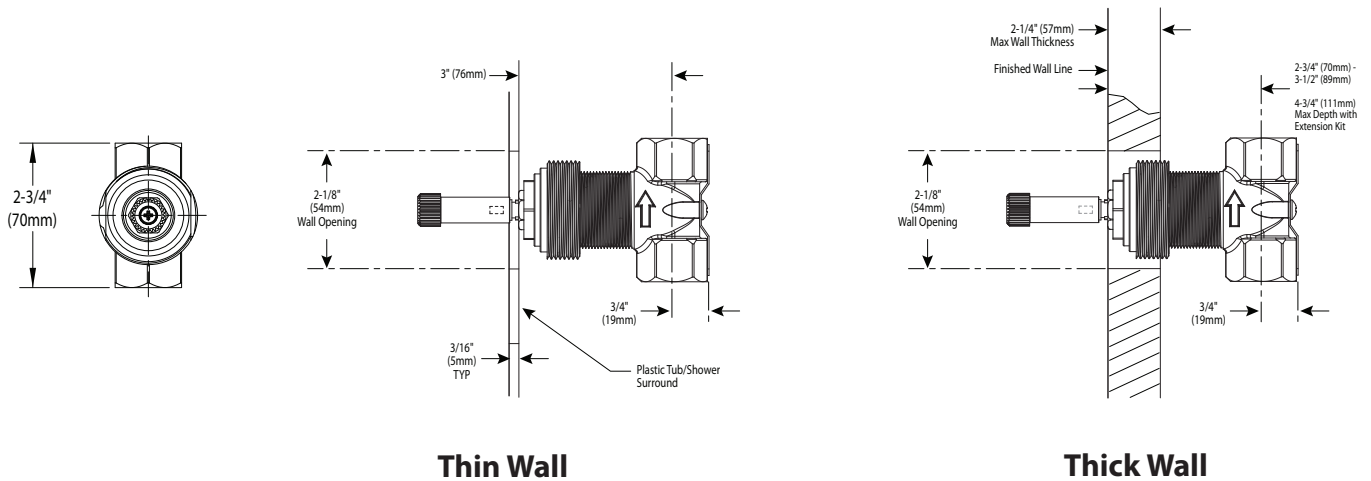
## WARRANTY

- Lifetime limited warranty against leaks, drips and finish defects to the original consumer purchaser
- 5 year warranty if used in commercial installations



## 3/4" Volume Control Valve

Model: S3600



## CRITICAL DIMENSIONS

(DO NOT SCALE)



Buy it for looks. Buy it for life.®

# Specifications

## DESCRIPTION

- Various finishes identified by suffix
- Handheld shower
- 69" double interlock spiral hose (metal)
- Double check valve in handle
- 30" slide bar with push button height selection

## OPERATION

- Single function
- Handshower holder rotates to adjust angle of handshower

## FLOW

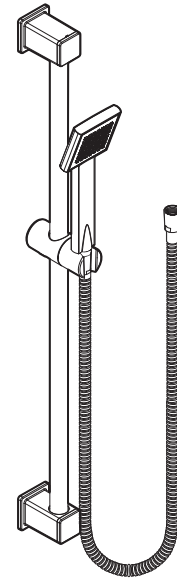
- EP17 suffix models designed to deliver 1.75 gpm (6.7 L/min) max
- EP suffix models designed to deliver 2.0 gpm (7.6 L/min) max at 80 psi

## STANDARDS

- Designed and manufactured to meet: ASME A112.18.1/CSA B-125.1, ASSE 1014 and all applicable specifications referenced therein

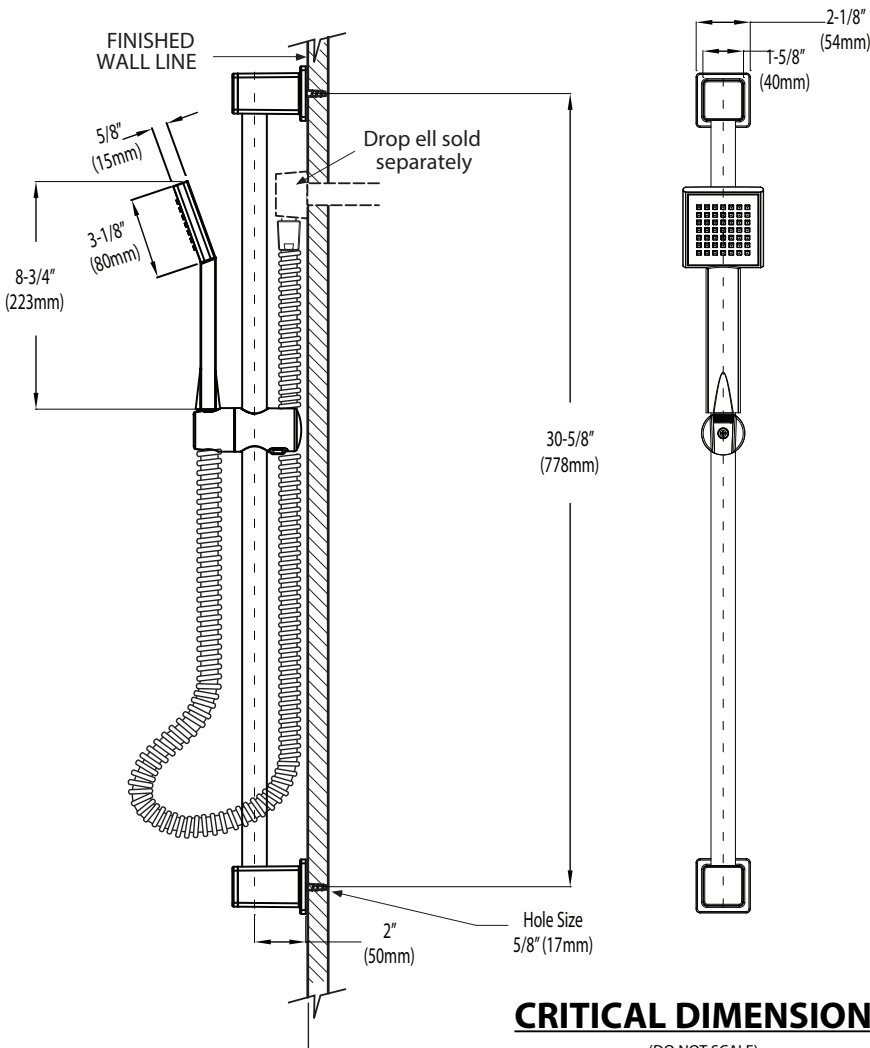
## WARRANTY

- Limited lifetime warranty against material or manufacturing defects



## 90 DEGREE™ Single Function Handshower w/Slide Bar

Model: S3879EP series





Buy it for looks. Buy it for life.®

# Specifications

## FAUCET DESCRIPTION

- Metal construction with various finishes identified by suffix
- Includes showerhead, arm and flange
- For use with S3371, 3/4" thermostatic valve and S3600, volume control valve

## OPERATION

- Flow lever operates counterclockwise through a 90° arc with shut off at 6 o'clock and maximum flow at the 3 o'clock position. Shut off in clockwise direction
- Temperature lever operates through a 340° arc with maximum cold at full clockwise rotation and maximum hot at full counterclockwise rotation
- Safety stop preset temperature at 105°F (41°C)
- Safety stop override allows maximum temperature at 120°F (49°C)
- Factory established temperature range from 70°F (21°C) to 120°F (49°C)

## FLOW

- Showerhead is limited to 2.5 gpm (9.5 L/min) at 80 psi

## CARTRIDGE

- 130156 thermostatic cartridge design with non metallic/nonferrous materials
- 130157 volume ceramic disc cartridge design

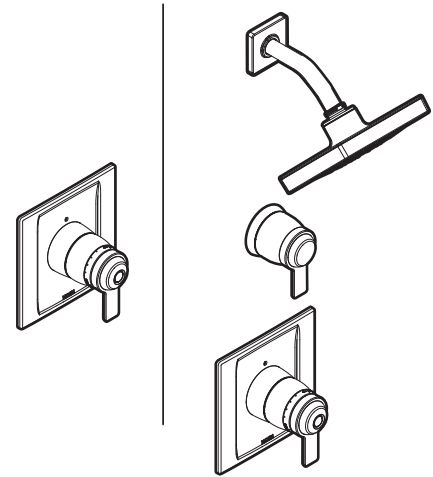
## STANDARDS

- Third party certified to: ASME A112.18./CSA B-125.1, ASSE1016 and all applicable requirements referenced therein

- **ADA**  for lever handle

## WARRANTY

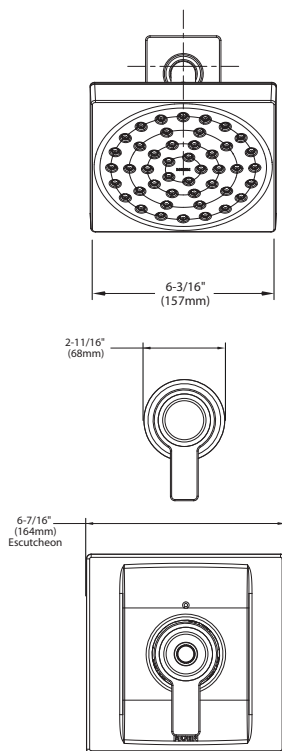
- Lifetime limited warranty against leaks, drips and finish defects to the original consumer purchaser
- 5 year warranty if used in commercial installations



## 90 DEGREE™ 3/4" Thermostatic Shower Trim

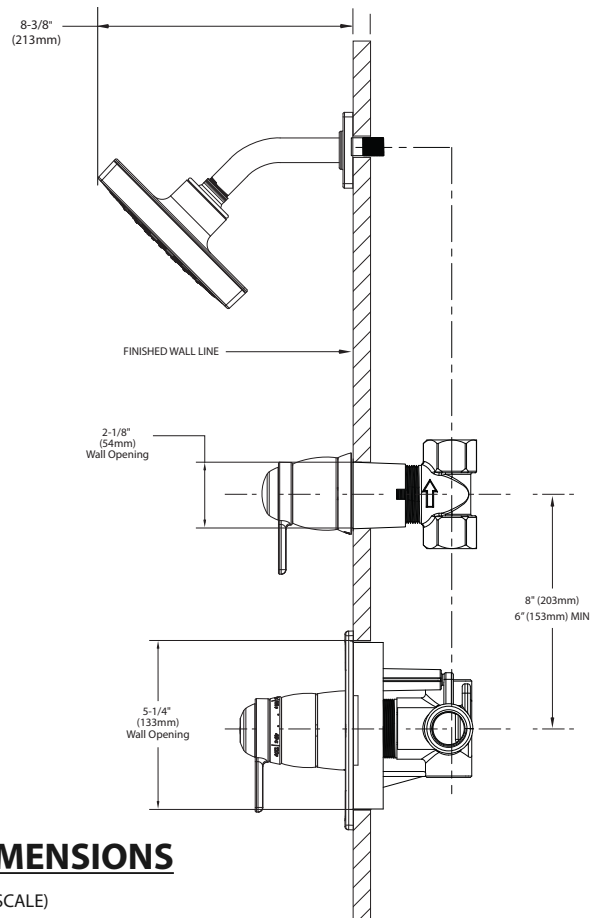
**Models:** TS3100 series - Valve Trim only  
TS7115 series - Shower Trim only

**Valves:** S3371 - thermostatic  
S3600 - volume control



## CRITICAL DIMENSIONS

(DO NOT SCALE)



TO ORDER PARTS CALL: 1-800-BUY-MOEN

[www.moen.com](http://www.moen.com)



Buy it for looks. Buy it for life.®

# Specifications


### DESCRIPTION

- Metal construction with various finishes identified by suffix
- For use with S3600 3/4" volume control valve

### OPERATION

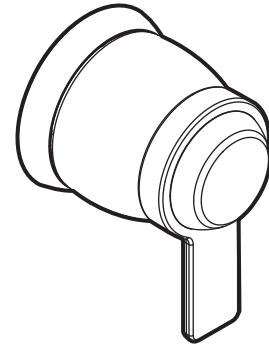
- Lever style handle operation

### STANDARDS

- Third party certified to meet ASME A112.18.1/CSA B125.1, and all applicable requirements referenced therein
- **ADA**  for lever handle

### WARRANTY

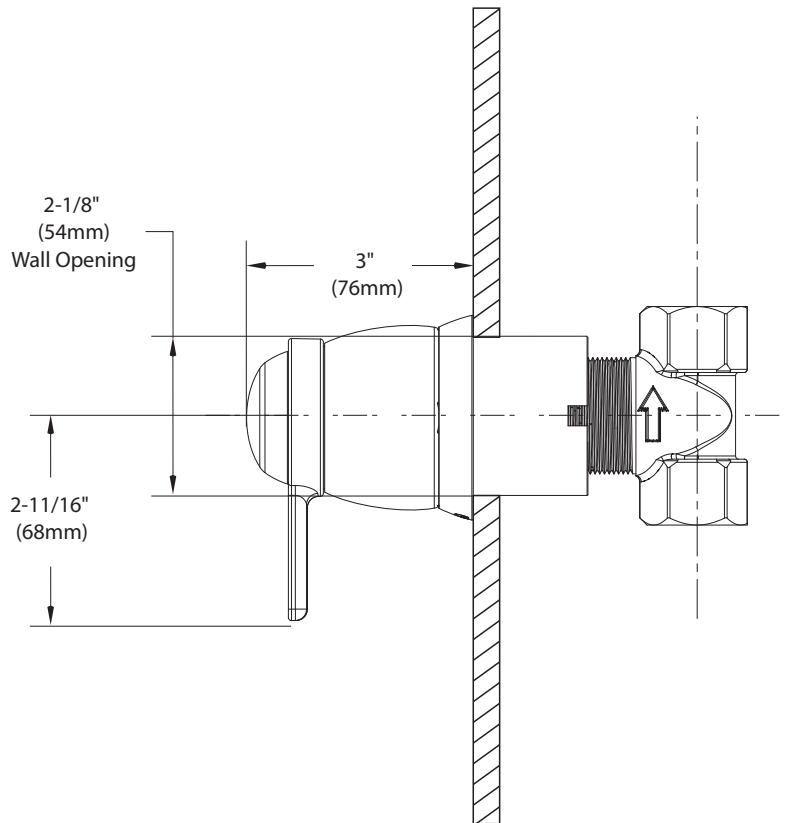
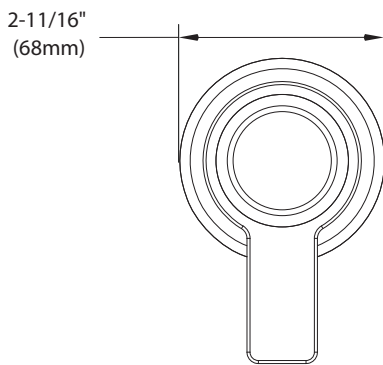
- Lifetime limited warranty against leaks, drips and finish defects to the original consumer purchaser
- 5 year warranty if used in commercial installations



## 90 DEGREE™ Single Function Flow Valve Trim

**Models:** TS3300 series

**Valve:** S3600 (sold separately)



## CRITICAL DIMENSIONS

(DO NOT SCALE)