



Buy it for looks. Buy it for life.®

# Specifications

## DESCRIPTION

- Three function transfer valve - 2 discrete outputs & 1 shared mode

## OPERATION

- 180° rotational control

## CARTRIDGE

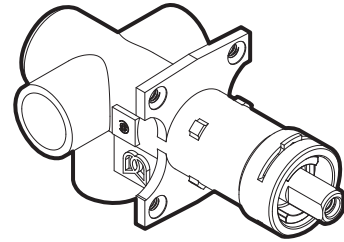
- 116719 cartridge

## STANDARDS

- Third party certified to ASME A112.18.1/CSA B125.1 and all applicable requirements referenced therein

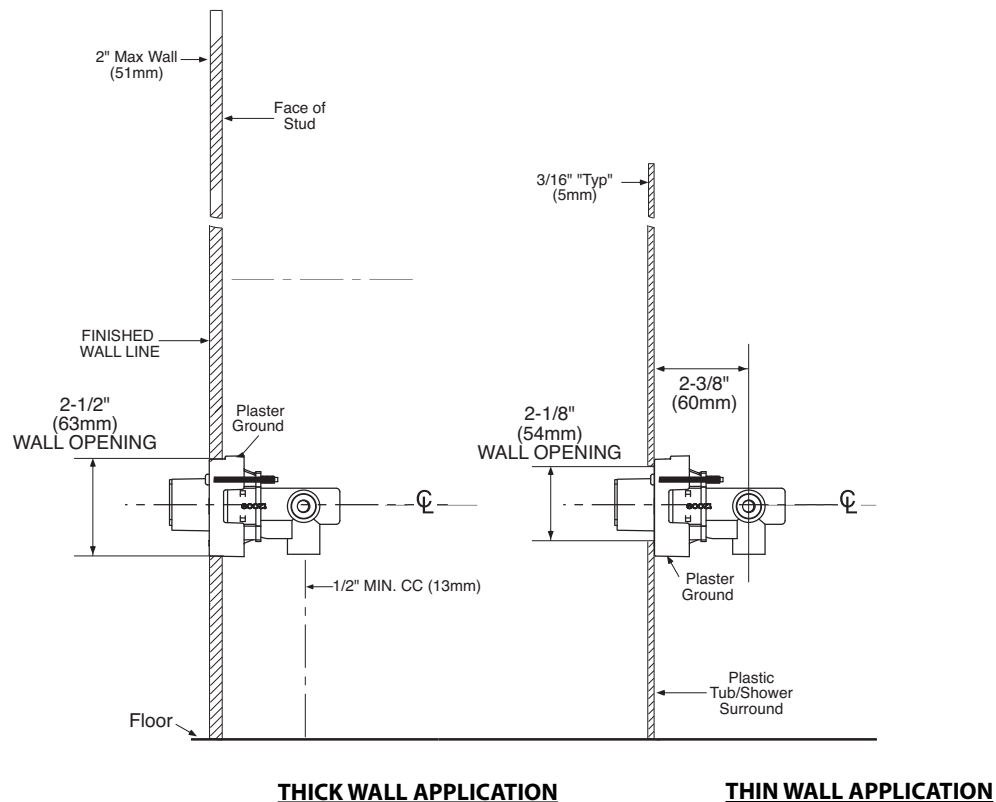
## WARRANTY

- Lifetime limited warranty against leaks and drips to the original consumer purchaser
- 5 year warranty if used in commercial installations



**3-Function Transfer Valve**

**Model: 3372**



## CRITICAL DIMENSIONS

(DO NOT SCALE)

## DESCRIPTION

- Brass construction
- Pressure balancing, four port valve design with volume control and integral check stops, 1/2" CC or IPS connections

## OPERATION

- Adjustable temperature limit stop to control maximum hot water temperature
- Pressure balancing mechanism maintain selected discharge temperature to  $\pm 2^\circ\text{F}$

## CARTRIDGE

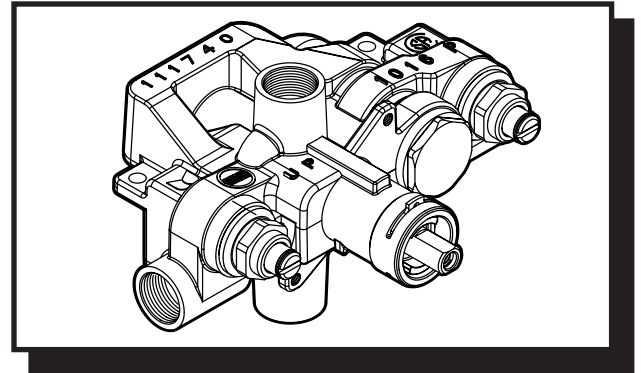
- 1225 cartridge design
- Nonmetallic/nonferrous and stainless steel materials
- Accommodates back to back installations

## STANDARDS

- Third party certified by CSA to meet CSA B-125, ASME A112.18.1M and all applicable requirements referenced therein and complies with the applicable requirements of ANSI A117.1

## WARRANTY

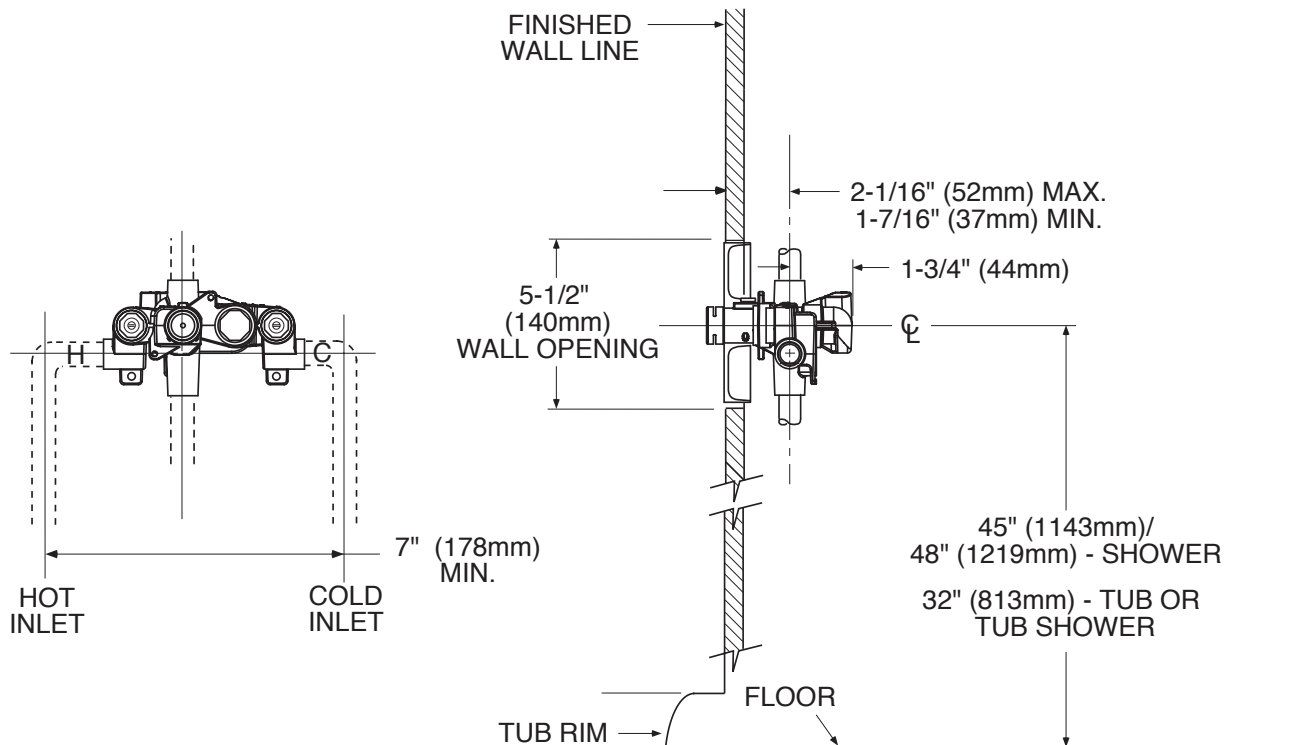
- Lifetime limited warranty against leaks, drips and finish defects to the original consumer purchaser
- 5 year warranty if used in commercial installations



### MOENTROL® VALVE Pressure-Balancing Valve with Volume Control

**Models: 3570 (CC), 3550 (IPS) - Single Pack**  
**63170 (CC), 63150 (IPS) - Bulk Packed**  
**(Bulk packed 12 per carton)**

**NOTE: See reverse side  
for illustrated parts**



## CRITICAL DIMENSIONS

(DO NOT SCALE)



Buy it for looks. Buy it for life.®

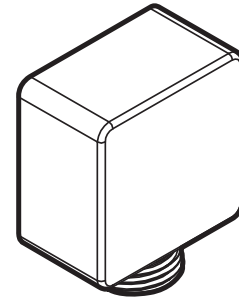
# Specifications

### DESCRIPTION

- Metal construction with various finishes identified by suffix

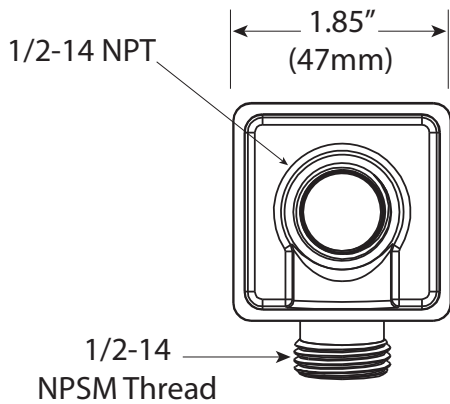
### WARRANTY

- Lifetime warranty against material or manufacturing defects

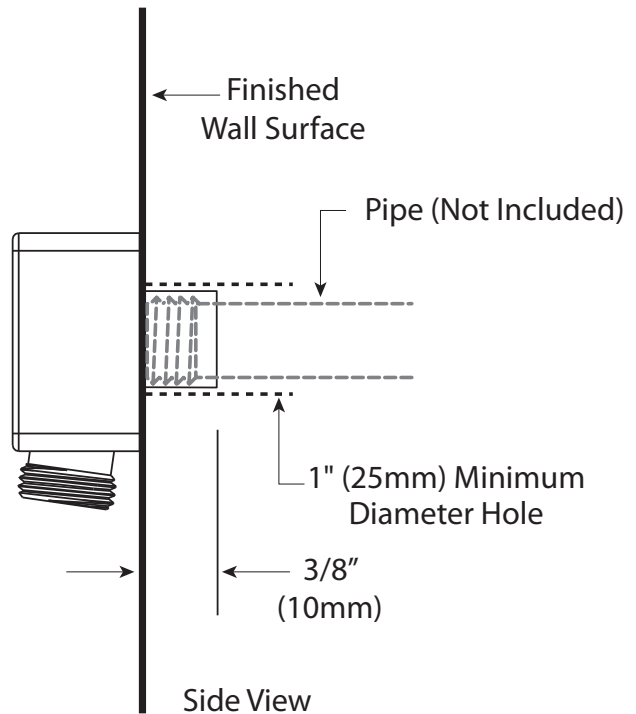


**DROP ELL**

**Models:** A721 series



Back View



Side View

## CRITICAL DIMENSIONS

(DO NOT SCALE)



Buy it for looks. Buy it for life.®

# Specifications

## DESCRIPTION

- Various finishes identified by suffix
- Handheld shower
- 69" double interlock spiral hose (metal)
- Double check valve in handle
- 30" slide bar with push button height selection

## OPERATION

- Single function
- Handshower holder rotates to adjust angle of handshower

## FLOW

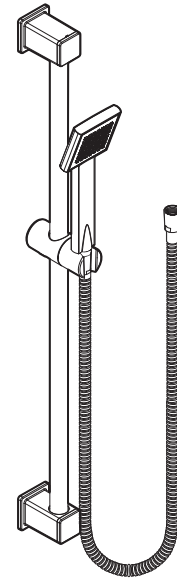
- EP17 suffix models designed to deliver 1.75 gpm (6.7 L/min) max
- EP suffix models designed to deliver 2.0 gpm (7.6 L/min) max at 80 psi

## STANDARDS

- Designed and manufactured to meet: ASME A112.18.1/CSA B-125.1, ASSE 1014 and all applicable specifications referenced therein

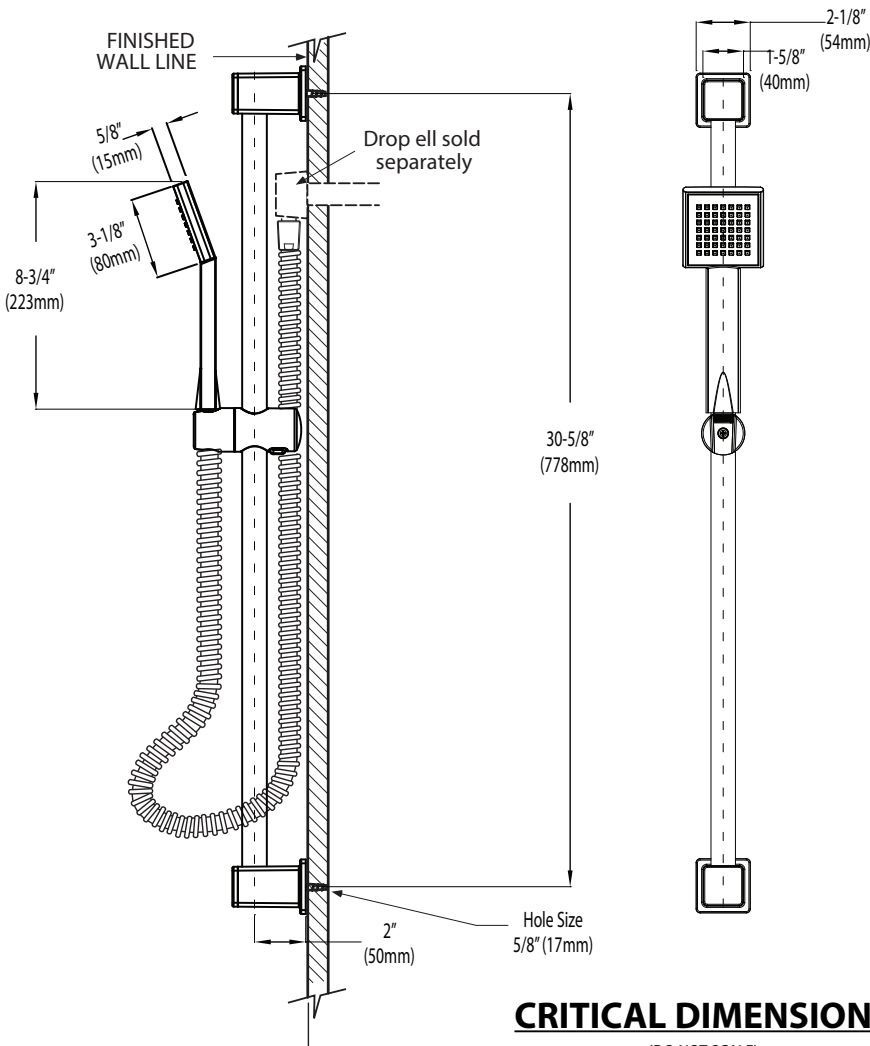
## WARRANTY

- Limited lifetime warranty against material or manufacturing defects



## 90 DEGREE™ Single Function Handshower w/Slide Bar

Model: S3879EP series



FOR MORE INFORMATION CALL: 1-800-BUY-MOEN

www.moen.com



Buy it for looks. Buy it for life.®

# Specifications

## FAUCET DESCRIPTION

- Metal construction with various finishes identified by suffix
- Includes showerhead, arm, flange and diverter spout

## OPERATION

- Lever style handle with temperature indicator on the escutcheon, pull-on/push-off operation
- Temperature operates through an 180° arc of handle travel (full cold to full hot)
- Adjustable temperature limit stop to control maximum hot water temperature
- Pressure balancing mechanism maintains selected discharge temperature to  $\pm 3.6^{\circ}\text{F}$  ( $\pm 2^{\circ}\text{C}$ )

## FLOW

- Showerhead limited to 2.5 gpm (9.5 L/min) at 80 psi

## CARTRIDGE

- 1225° cartridge design
- Nonmetallic/nonferrous and stainless steel materials
- Accommodates back to back installations

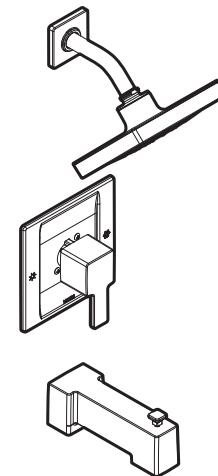
## STANDARDS

- Third party certified to ASME A112.18.1/CSA B-125.1, ASSE 1016 and all applicable requirements referenced therein

- **ADA** for lever handle

## WARRANTY

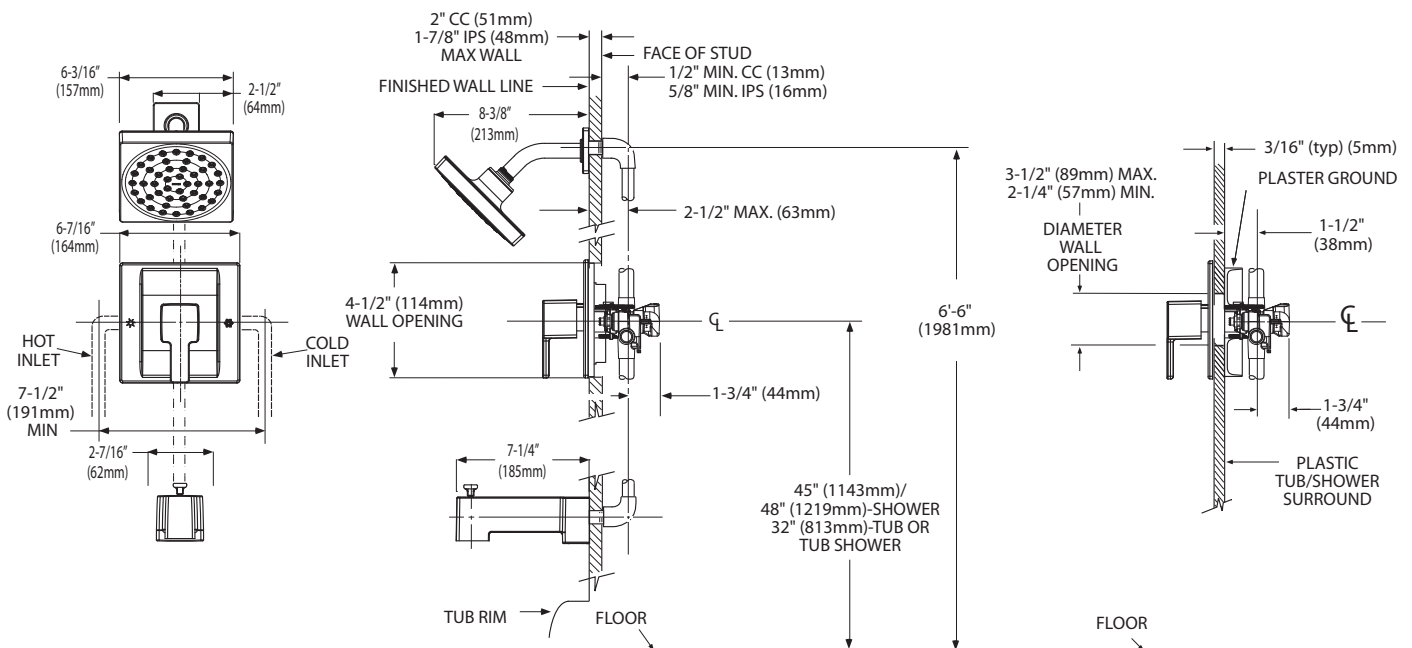
- Lifetime limited warranty against leaks, drips and finish defects to the original consumer purchaser
- 5 year warranty if used in commercial installations



## 90 DEGREE™ MOENTROL® Single-Handle Tub/Shower Trim Only

**Model:** TS3711 series - valve trim only  
 TS3715 series - shower trim only  
 TS3713 series - tub/shower trim only

**Valves:** 63100, 3500 series



**THICK WALL APPLICATION**

**THIN WALL APPLICATION**

## CRITICAL DIMENSIONS

(DO NOT SCALE)

**FOR MORE INFORMATION CALL: 1-800-BUY-MOEN**

**www.moen.com**



Buy it for looks. Buy it for life.®

# Specifications


## DESCRIPTION

- Metal construction with various finishes identified by suffix

## OPERATION

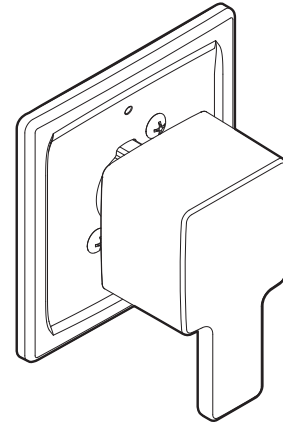
- Rotational control with 180° of rotation with stops

## STANDARDS

- Third party certified to ASME A112.18.1/CSA B125.1 and all applicable requirements referenced therein
- **ADA**  for lever handle

## WARRANTY

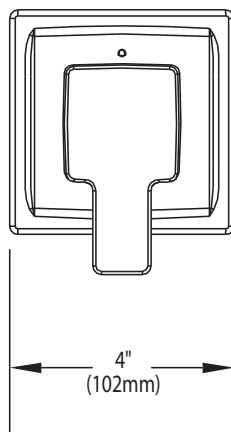
- Lifetime limited warranty against leaks, drips and finish defects to the original consumer purchaser
- 5 year warranty if used in commercial installations



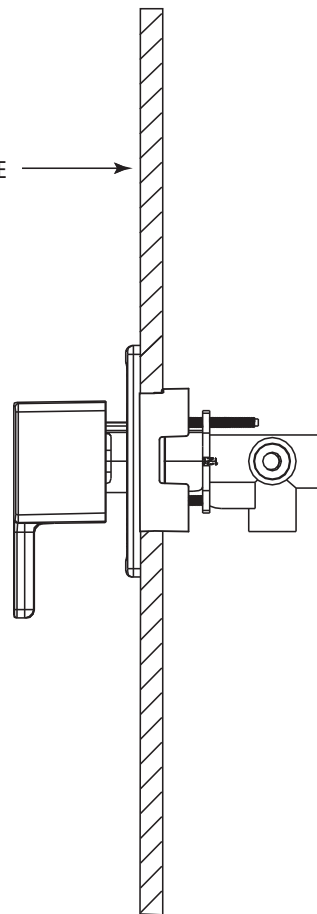
### 3-Function Transfer Valve Trim Kit

**Models:** TS4172 series

**Valve:** 3372



FINISHED WALL LINE →



## CRITICAL DIMENSIONS

(DO NOT SCALE)