



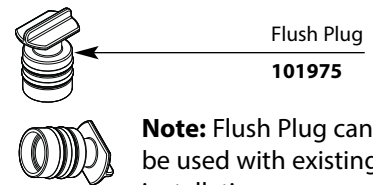
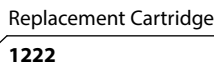
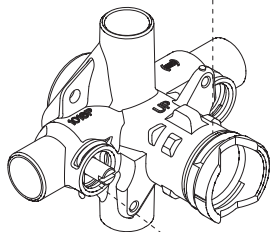
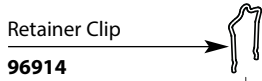
Buy it for looks. Buy it for life.®

Illustrated Parts

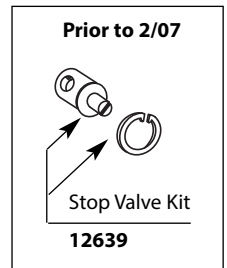
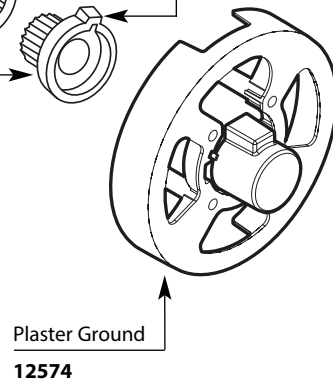
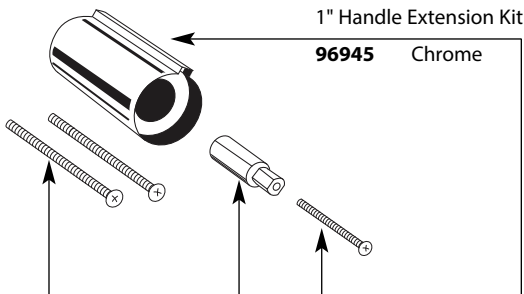
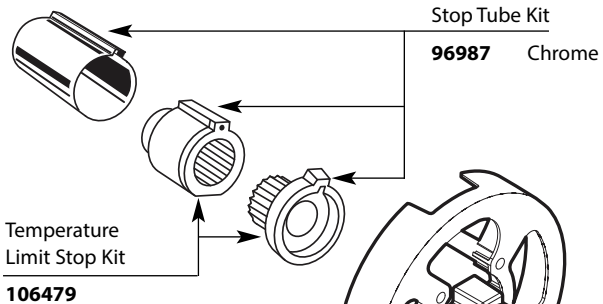
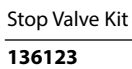
■ Order by Part Number

CHATEAU® POSI-TEMP® Single-Handle Tub/Shower Valve Only					
MODEL	CONNECTION	STOPS	MODEL	CONNECTION	STOPS
2570	CC	Yes	FP62370	CC	Yes
62370	CC	Yes	FP62390	IPS	Yes
2590	IPS	Yes	FP62320	CC	No
62390	IPS	Yes	FP62300	IPS	No
2520	CC	No	FP62360	PEX	Yes
62320	CC	No	FP62380	PEX	No
2510	IPS	No	FP62365	COLD EXPANSION PEX	No
62300	IPS	No	FP62345	CC/IPS	No
62360	PEX	Yes			
2580	PEX	Yes			
62380	PEX	No			
62365	COLD EXPANSION PEX	No			
62345	CC/IPS	No			

FP= Flush Plug Included



Note: Flush Plug can be used with existing installations.



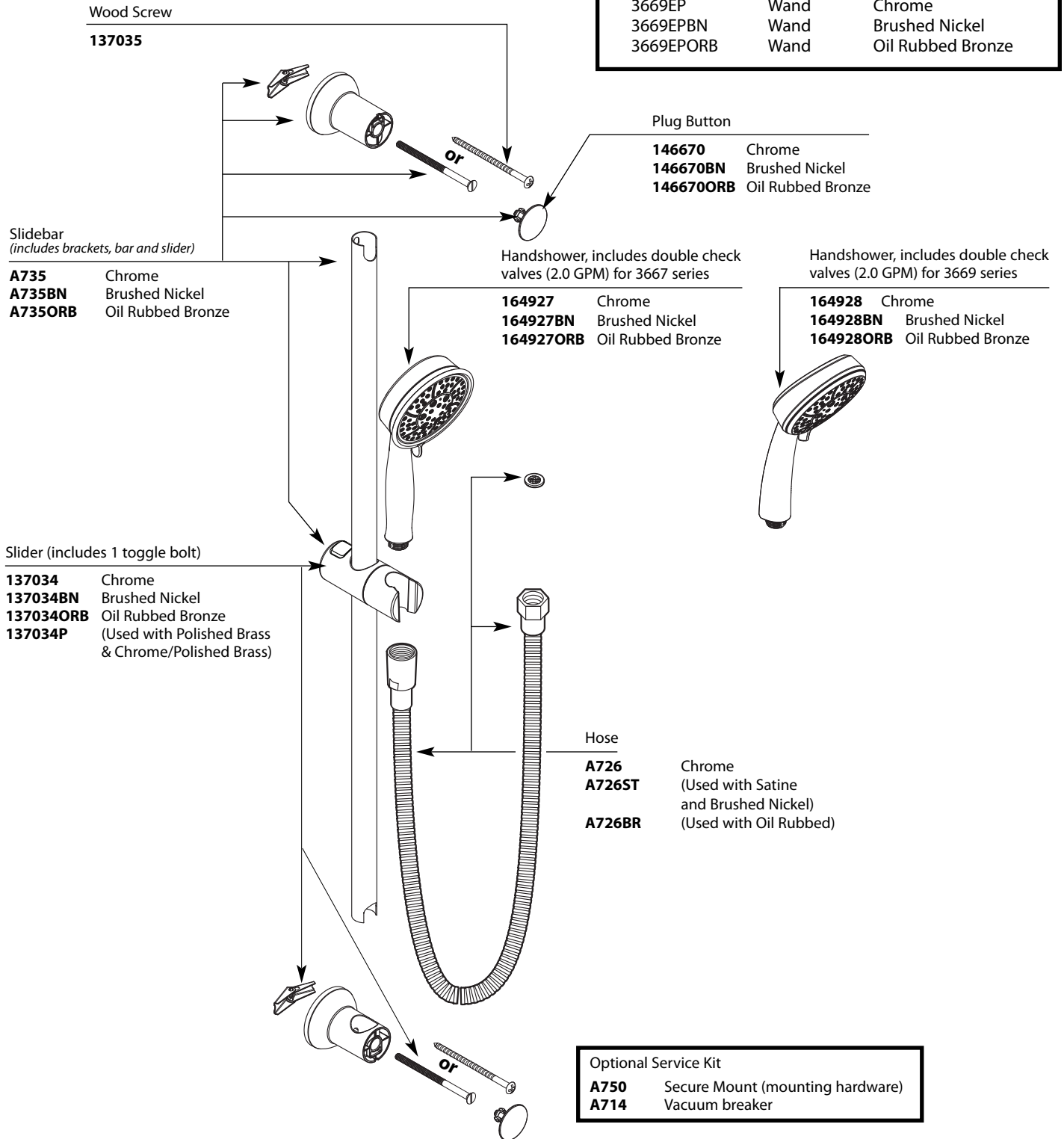


Buy it for looks. Buy it for life.®

Illustrated Parts

Four Function Handshower

MODEL	TYPE	FINISH
3667EP	Wand	Chrome
3667EPBN	Wand	Brushed Nickel
3667EPORB	Wand	Oil Rubbed Bronze
3669EP	Wand	Chrome
3669EPBN	Wand	Brushed Nickel
3669EPORB	Wand	Oil Rubbed Bronze





Buy it for looks. Buy it for life.®

Illustrated Parts

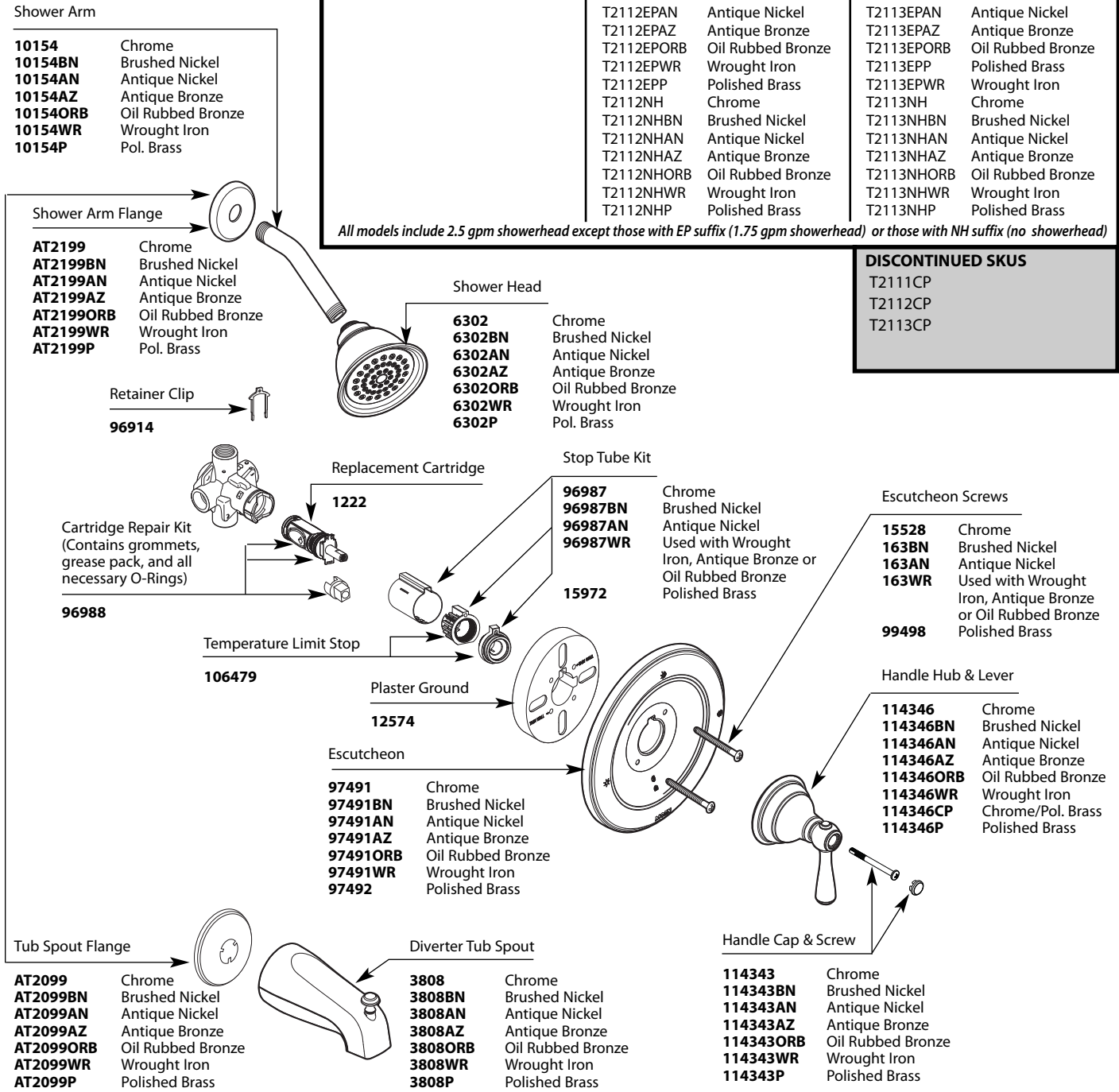
■ Order by Part Number

■ Trim can be used with 62300 series or 2500 series valve

KINGSLEY™ POSI-TEMP® Single-Handle Tub/Shower Valve					
Valve Trim		Shower Only*		Tub/Shower*	
MODEL		MODEL		MODEL	
T2111	Chrome	T2112	Chrome	T2113	Chrome
T2111BN	Brushed Nickel	T2112BN	Brushed Nickel	T2113BN	Brushed Nickel
T2111AN	Antique Nickel	T2112AN	Antique Nickel	T2113AN	Antique Nickel
T2111AZ	Antique Bronze	T2112AZ	Antique Bronze	T2113AZ	Antique Bronze
T2111ORB	Oil Rubbed Bronze	T2112ORB	Oil Rubbed Bronze	T2113ORB	Oil Rubbed Bronze
T2111WR	Wrought Iron	T2112WR	Wrought Iron	T2113WR	Wrought Iron
T2111P	Polished Brass	T2112P	Polished Brass	T2113P	Polished Brass
		T2112EP	Chrome	T2113EP	Chrome
		T2112EPBN	Brushed Nickel	T2113EPBN	Brushed Nickel
		T2112EPAN	Antique Nickel	T2113EPAN	Antique Nickel
		T2112EPAZ	Antique Bronze	T2113EPAZ	Antique Bronze
		T2112EPORB	Oil Rubbed Bronze	T2113EPORB	Oil Rubbed Bronze
		T2112EPWR	Wrought Iron	T2113EPP	Polished Brass
		T2112EPP	Polished Brass	T2113EPWR	Wrought Iron
		T2112NH	Chrome	T2113NH	Chrome
		T2112NHBN	Brushed Nickel	T2113NHBN	Brushed Nickel
		T2112NHAN	Antique Nickel	T2113NHAN	Antique Nickel
		T2112NH AZ	Antique Bronze	T2113NH AZ	Antique Bronze
		T2112NHORB	Oil Rubbed Bronze	T2113NHORB	Oil Rubbed Bronze
		T2112NHW	Wrought Iron	T2113NHW	Wrought Iron
		T2112NHP	Polished Brass	T2113NHP	Polished Brass

All models include 2.5 gpm showerhead except those with EP suffix (1.75 gpm showerhead) or those with NH suffix (no showerhead)

DISCONTINUED SKUS	
T2111CP	
T2112CP	
T2113CP	





Buy it for looks. Buy it for life.®

■ Order by Part Number

Illustrated Parts

Kingsley™		
Multi-Function Transfer Valve Trim Kit		
MODEL	TYPE	FINISH
T4311	Lever	Chrome
T4311BN	Lever	Brushed Nickel
T4311ORB	Lever	Oil Rubbed Bronze

