



Buy it for looks. Buy it for life.®

Specifications

DESCRIPTION

- Various finishes identified by suffix
- Handheld shower
- 69" double interlock spiral hose (metal)
- Double check valves in handshower
- 30" slide bar with push button height selection

OPERATION

- 4-function: massage, vigorous, full and combination: rotate outer ring to select
- Handshower holder rotates to adjust angle of hand shower

FLOW

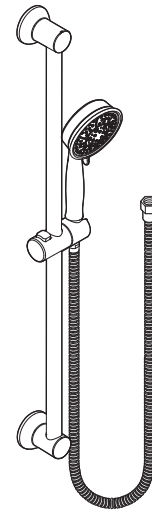
- EP suffix models are limited to 2.0 gpm (7.6 L/min) at 80 psi

STANDARDS

- Designed and manufactured to comply with the applicable requirements of ASME A112.18.1/CSA B-125.1 and ASSE 1014 and all applicable specifications referenced therein
- EP suffix models are third party certified to WaterSense®

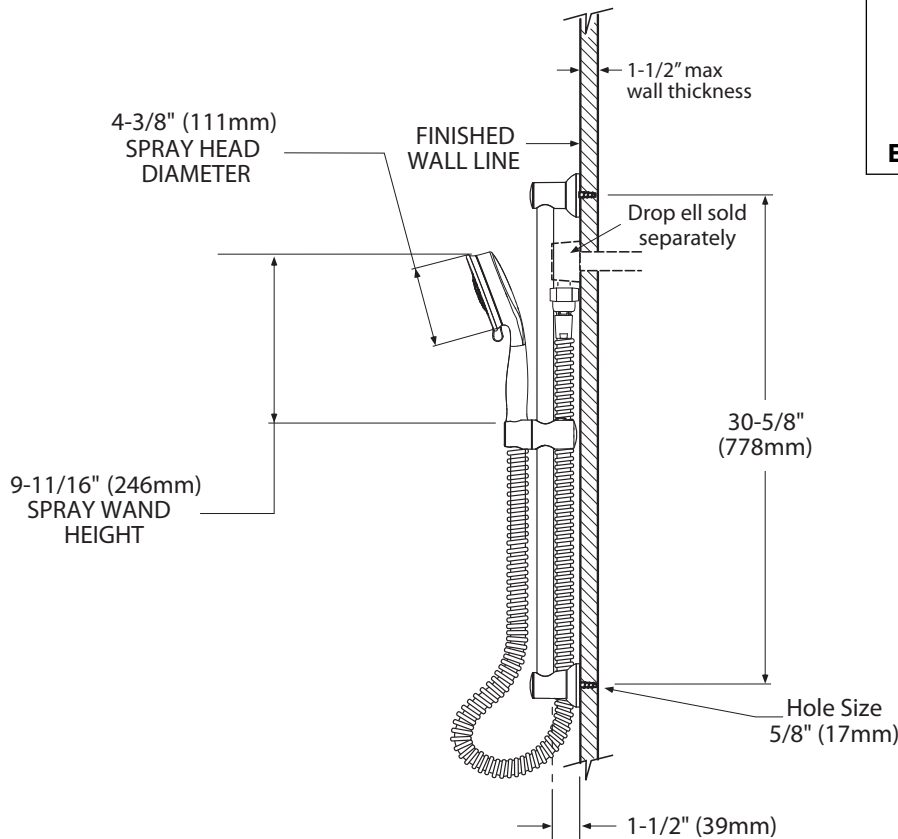
WARRANTY

- Lifetime limited warranty against material or manufacturing defects



4-Function Massaging Handshower w/Slide Bar

Models: 3667EP series



CRITICAL DIMENSIONS

(DO NOT SCALE)

FOR MORE INFORMATION CALL: 1-800-BUY-MOEN

www.moen.com



Buy it for looks. Buy it for life.®

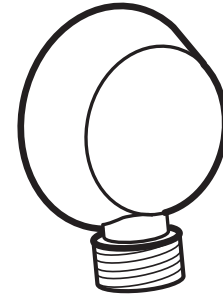
Specifications

DESCRIPTION

- Metal construction with various finishes identified by suffix

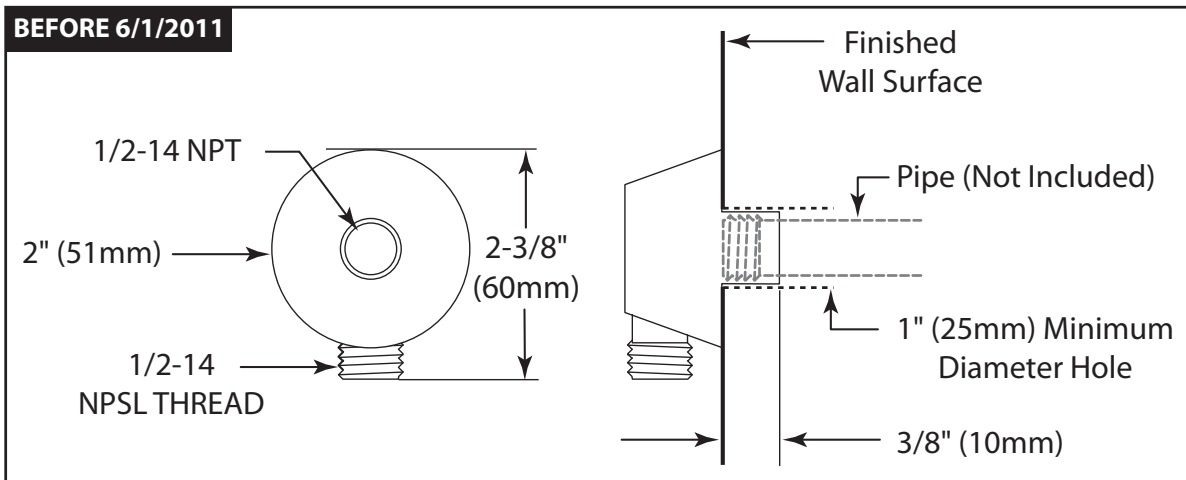
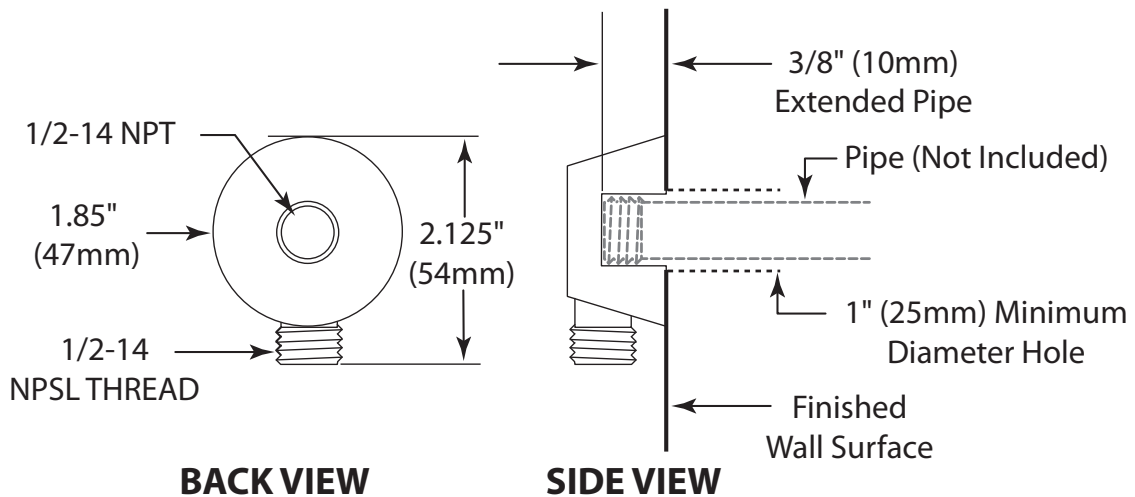
WARRANTY

- Warranted for one year against material or manufacturing defects



DROP ELL

Models: A725 series



CRITICAL DIMENSIONS

(DO NOT SCALE)



Buy it for looks. Buy it for life.®

Specifications

FAUCET DESCRIPTION

- Metal construction with chrome plated, pewter, oil rubbed bronze, or brushed nickel finishes
- Includes showerhead, arm, flange and diverter spout

OPERATION

- Lever style handle with temperature indicator on the escutcheon, pull-on/push-off operation
- Temperature operates through an 180° arc of handle travel (full cold to full hot)
- Adjustable temperature limit stop to control maximum hot water temperature
- Pressure balancing mechanism maintains selected discharge temperature to ± 2°


FLOW

- Showerhead limited to 2.5 gpm (9.5 L/min)

CARTRIDGE

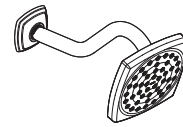
- 1225® cartridge design
- Nonmetallic/nonferrous and stainless steel materials
- Accommodates back to back installations

STANDARDS

- Third party certified to ASME A112.18.1M/CSA B-125, and all applicable requirements referenced therein
- **ADA**  for lever handles

WARRANTY

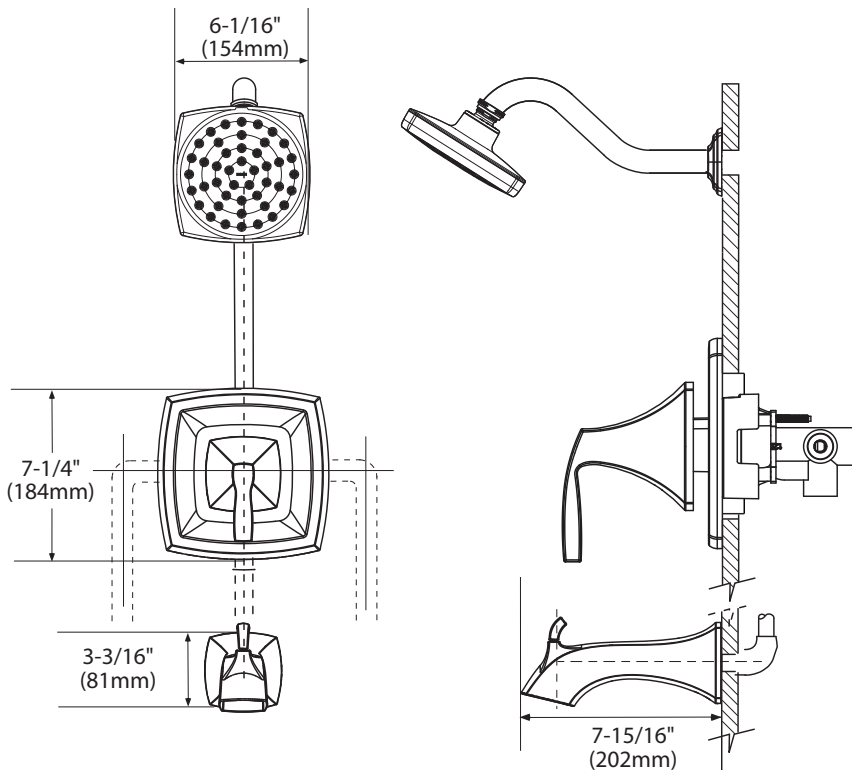
- Lifetime limited warranty against leaks, drips and finish defects to the original consumer purchaser
- 5 year warranty if used in commercial installations



VOSS™ MOENTROL® Single-Handle Tub/Shower Trim Only

Models: T3691 series - valve trim only
T3692 series - shower trim only
T3693 series - tub/shower trim

Valves: 63100, 3500 Series



CRITICAL DIMENSIONS

(DO NOT SCALE)



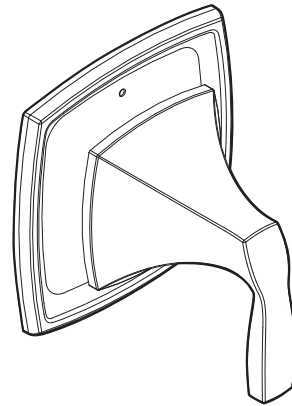
FOR MORE INFORMATION CALL: 1-800-BUY-MOEN

www.moen.com



Buy it for looks. Buy it for life.®

Specifications



Voss™ Multi-Function Transfer Valve Trim Kit

Models: T4611 series

Valve: 3372 or 3375


DESCRIPTION

- Metal construction with various finishes identified by suffix

OPERATION

- Rotational control with 180° of rotation with stops

STANDARDS

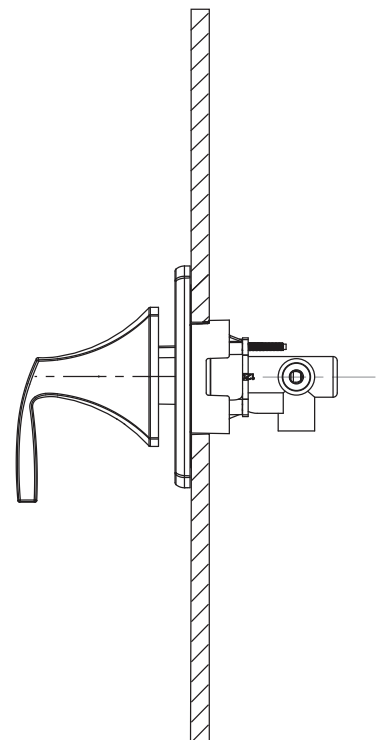
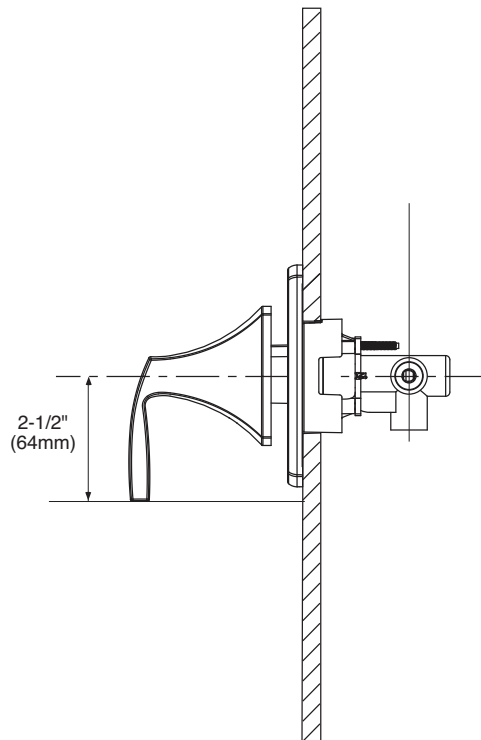
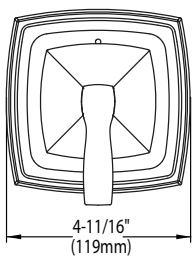
- Third party certified to ASME A112.18.1/CSA B125.1 and all applicable requirements referenced therein
- **ADA**  for lever handle

WARRANTY

- Lifetime limited warranty against leaks, drips and finish defects to the original consumer purchaser
- 5 year warranty if used in commercial installations

Thick Wall Installation

Thin Wall Installation



CRITICAL DIMENSIONS

(DO NOT SCALE)