



Buy it for looks. Buy it for life.®

Specifications

DESCRIPTION

- Metal construction with various finishes identified by suffix
- 1/2" IPS connections

OPERATION

- Lever style handles
- Maximum handle rotation angle is 90° to full on for either handle
- Hot side counterclockwise to open (clockwise to close)
- Cold side clockwise to open (counterclockwise to close)


FLOW

- Flow is limited to 1.5 gpm max (5.7L/min) at 60 psi, for products made before October 2008 flow is limited to 2.2 gpm max (8.3 L/min)

CARTRIDGE

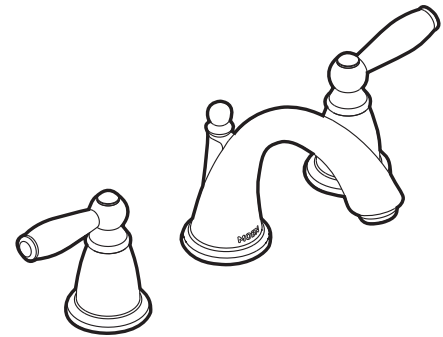
- 1224 cartridge design
- Nonmetallic, nonferrous and stainless steel material

STANDARDS

- Third party certified to WaterSense,® CSA B125.1, ASME A112.18.1, and all applicable requirements referenced therein including NSF61/9
- Contains no more than 0.25% weighted average lead content
- Complies with California Proposition 65 and with the Federal Safe Drinking Water Act
- **ADA**  for lever handles

WARRANTY

- Lifetime limited warranty against leaks, drips and finish defects to the original consumer purchaser
- 5 year warranty if used in commercial installations

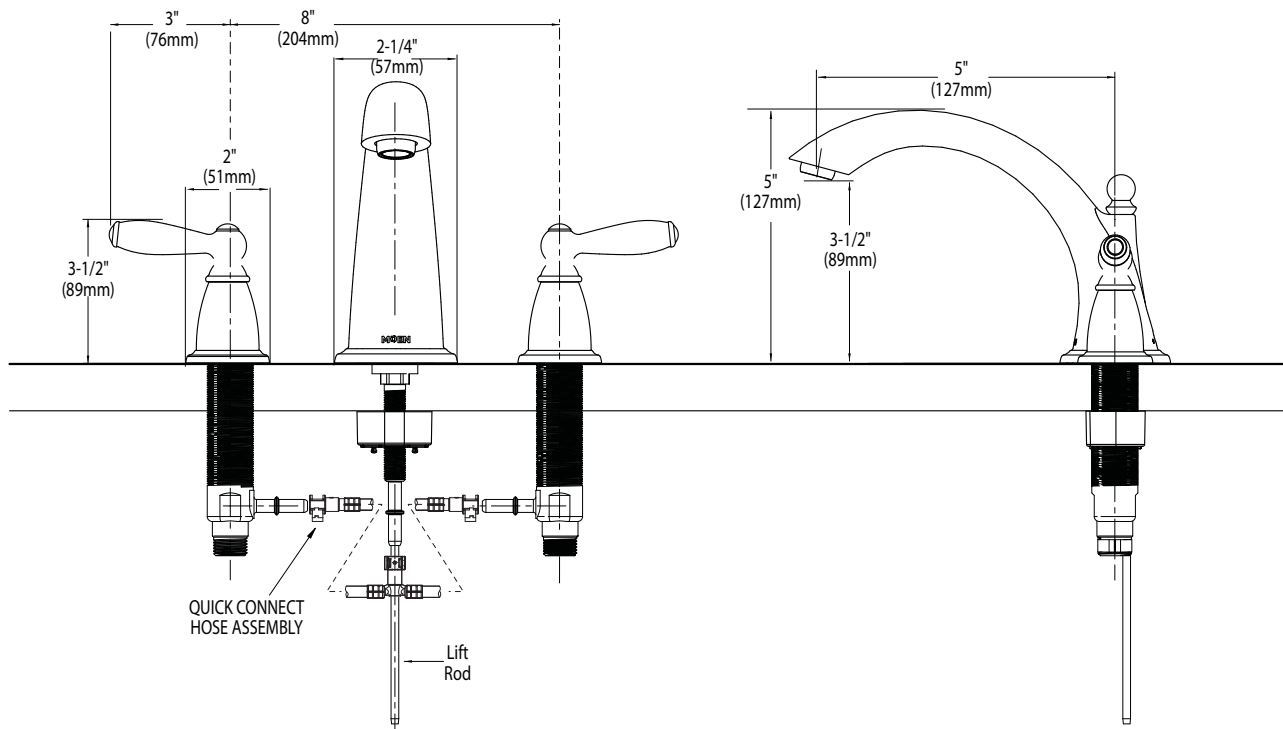


BRANTFORD™ Two Handle Widespread Lavatory Faucet

Models: T6620 series

Valve: 9000, 69000

NOTE: THIS FAUCET IS DESIGNED TO BE INSTALLED THRU 3 HOLES, 1-1/8" MIN. DIA.



CRITICAL DIMENSIONS

(DO NOT SCALE)

Brantford™ Technical Specification

Paper Holder

YB2208

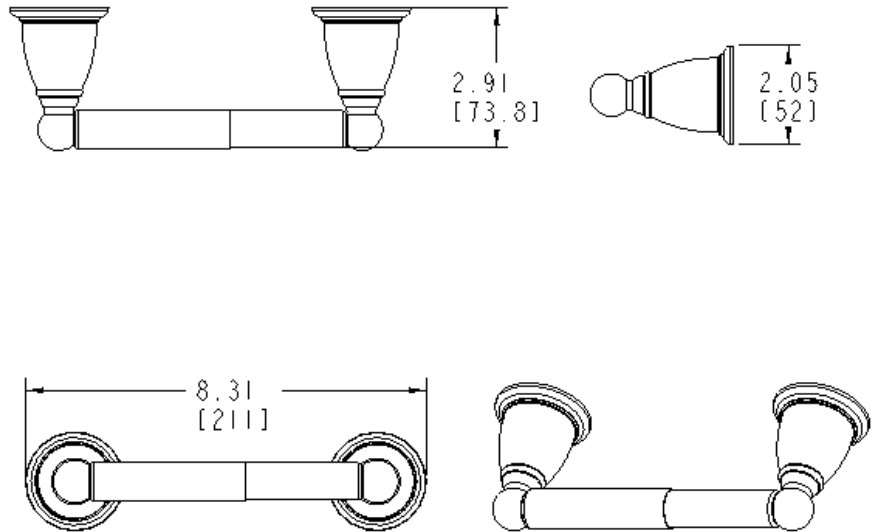
Stock Numbers:

- ❑ YB2208BN – Paper Holder
Brushed Nickel Finish
- ❑ YB2208CH – Paper Holder
Chrome Finish
- ❑ YB2208ORB – Paper Holder
Oil Rubbed Bronze Finish

Materials:

Paper Holder is constructed of zinc.

Dimensions:



Installation Instructions:

Directions below are for installation into drywall. If installing product into a stud, use the wood screws only.

1. The center to center measurement for this product is 6 ¼".
2. Mark this distance on the wall where you want to install the product.
3. Use a level to ensure that the pilot holes will be perfectly level.
4. Using ¼" drill bit, drill one pilot hole for each post.
5. Position mounting posts to wall by inserting wall anchors into pilot holes and pressing firmly. (Make sure that locking tab on mounting post is facing down.)
6. Tighten wall anchor screw while holding mounting post firmly in place. Tighten anchor until resistance increases. DO NOT over tighten.
7. Using tip of screw bit press wall spikes (metal pieces on outer edge of mounting post) into drywall.
8. Towel bar must be attached to mounting posts as a unit – insert towel bar into each post.
9. Attach posts by pressing firmly to mounting posts until it clicks. (The square opening at the base of the post must be facing down to match-up with locking tab).

Cleaning Instructions:

To preserve the fine finish of this product, clean only with a soft damp cloth. Dry well. Do not use commercial or abrasive cleaners.

Stock Number: _____ Paper Holder
By Creative Specialties



25300 AL MOEN DRIVE • NORTH OLMSTED, OH 44070
CORPORATE HEADQUARTERS: (800) 321-8809 • FAX: (800) 848-6636
INTERNATIONAL: (440) 962-2000 • FAX: (440) 962-2726
CUSTOMER SERVICE (USA): 800-882-0116 • FAX: (888) 379-2720
WWW.MOEN.COM

©Copyright Creative Specialties International

Literature #BA1395

Brantford™ Technical Specification

18" & 24" Towel Bar

YB2218 & YB2224

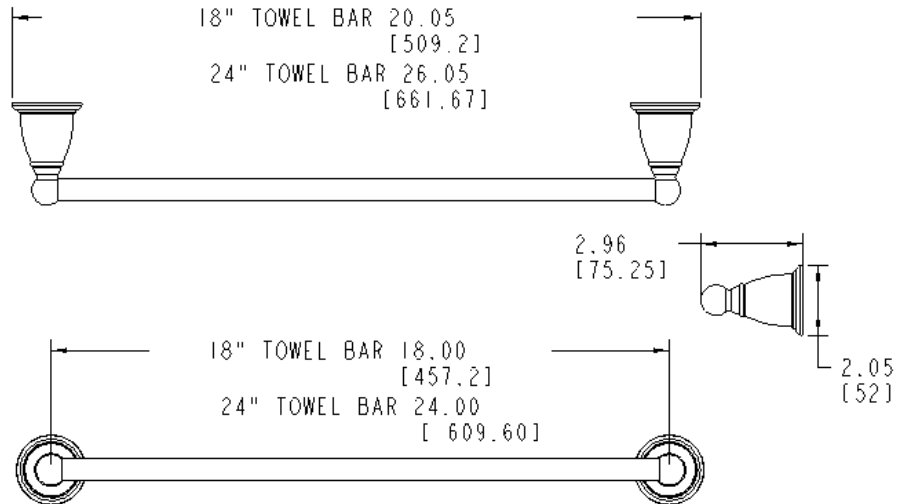
Stock Numbers:

- ❑ YB2218BN – 18" Towel Bar
Brushed Nickel Finish
- ❑ YB2224BN – 24" Towel Bar
Brushed Nickel Finish
- ❑ YB2218CH – 18" Towel Bar
Chrome Finish
- ❑ YB2224CH – 24" Towel Bar
Chrome Finish
- ❑ YB2218ORB – 18" Towel Bar
Oil Rubbed Bronze Finish
- ❑ YB2224ORB – 24" Towel Bar
Oil Rubbed Bronze Finish

Materials:

Towel Bar posts are constructed of zinc. Bar is aluminum.

Dimensions:



Installation Instructions:

Directions below are for installation into drywall. If installing product into a stud, use the wood screws only.

1. Mark the appropriate distance for your towel bar on the wall where you want to install the product.
2. Use a level to ensure that the pilot holes will be perfectly level.
3. Using 1/4" drill bit, drill one pilot hole for each post.
4. Position mounting posts to wall by inserting wall anchors into pilot holes and pressing firmly. (Make sure that locking tab on mounting post is facing down.)
5. Tighten wall anchor screw while holding mounting post firmly in place. Tighten anchor until resistance increases. DO NOT over tighten.
6. Using tip of screw bit press wall spikes (metal pieces on outer edge of mounting post) into drywall.
7. Towel bar must be attached to mounting posts as a unit – insert towel bar into each post.
8. Attach posts by pressing firmly to mounting posts until it clicks. (The square opening at the base of the post must be facing down to match-up with locking tab).

Cleaning Instructions:

To preserve the fine finish of this product, clean only with a soft damp cloth. Dry well. Do not use commercial or abrasive cleaners.

Stock Number: _____ Towel Bar
By Creative Specialties



25300 AL MOEN DRIVE • NORTH OLMSTED, OH 44070
CORPORATE HEADQUARTERS: (800) 321-8809 • FAX: (800) 848-6636
INTERNATIONAL: (440) 962-2000 • FAX: (440) 962-2726
CUSTOMER SERVICE (USA): 800-882-0116 • FAX: (888) 379-2720
WWW.MOEN.COM

©Copyright Creative SpecialtiesInternational

Literature #BA1396