



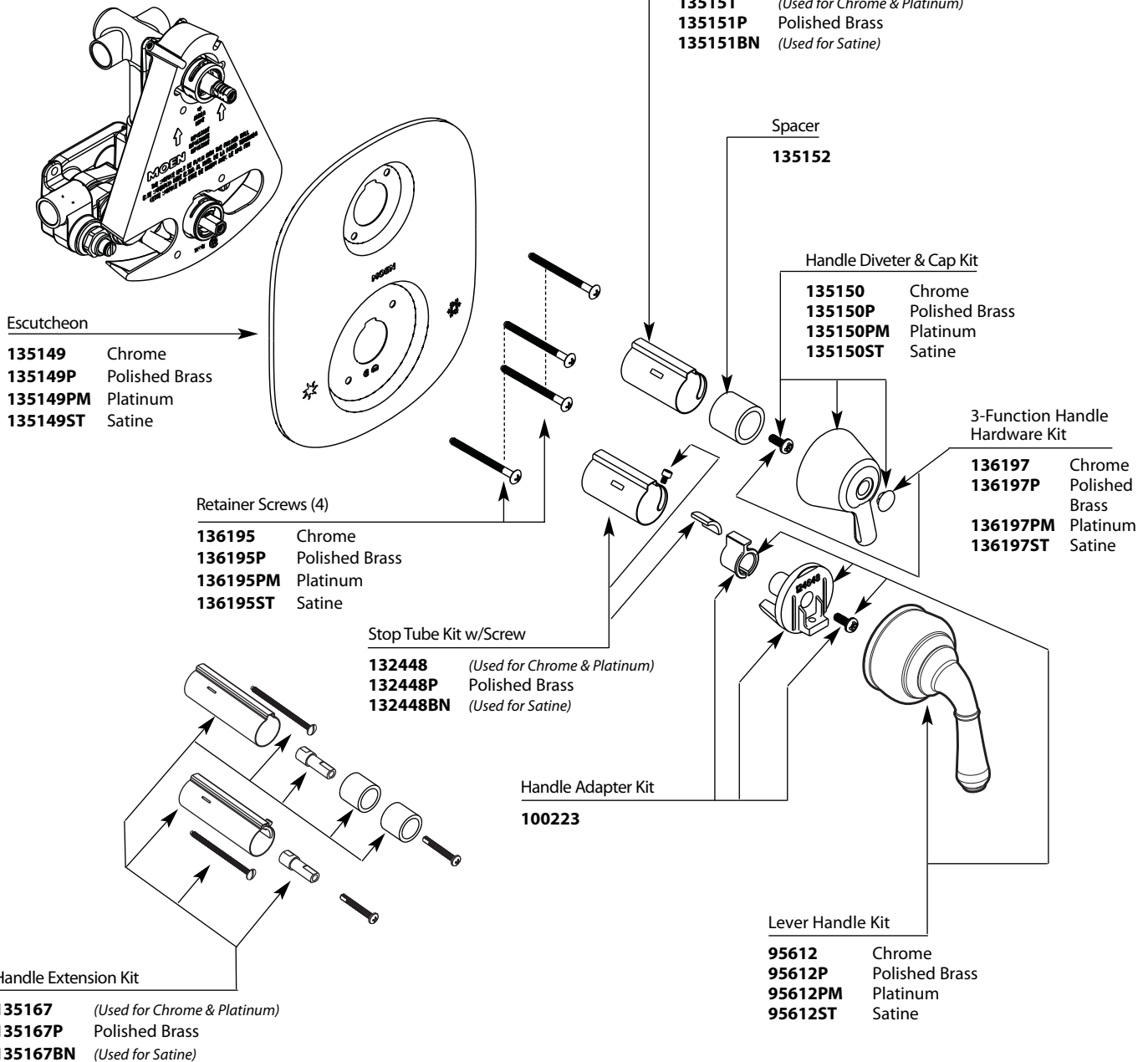
Buy it for looks. Buy it for life.®

■ Order by Part Number

There is more than 1 version of this model.
Page down to identify the version you have.

Illustrated Parts

MONTICELLO® MOENTROL® with Built-In 3 Function Diverter Shower Valve Trim		
MODEL	HANDLE	FINISH
T4110	Lever/Knob	Chrome
T4110P	Lever/Knob	Polished Brass
DISCONTINUED SKU (DELETION DATE)		
T4110PM (2/11)	Lever/Knob	Platinum
T4110ST (2/08)	Lever/Knob	Satine





Buy it for looks. Buy it for life.®

■ Order by Part Number

Illustrated Parts

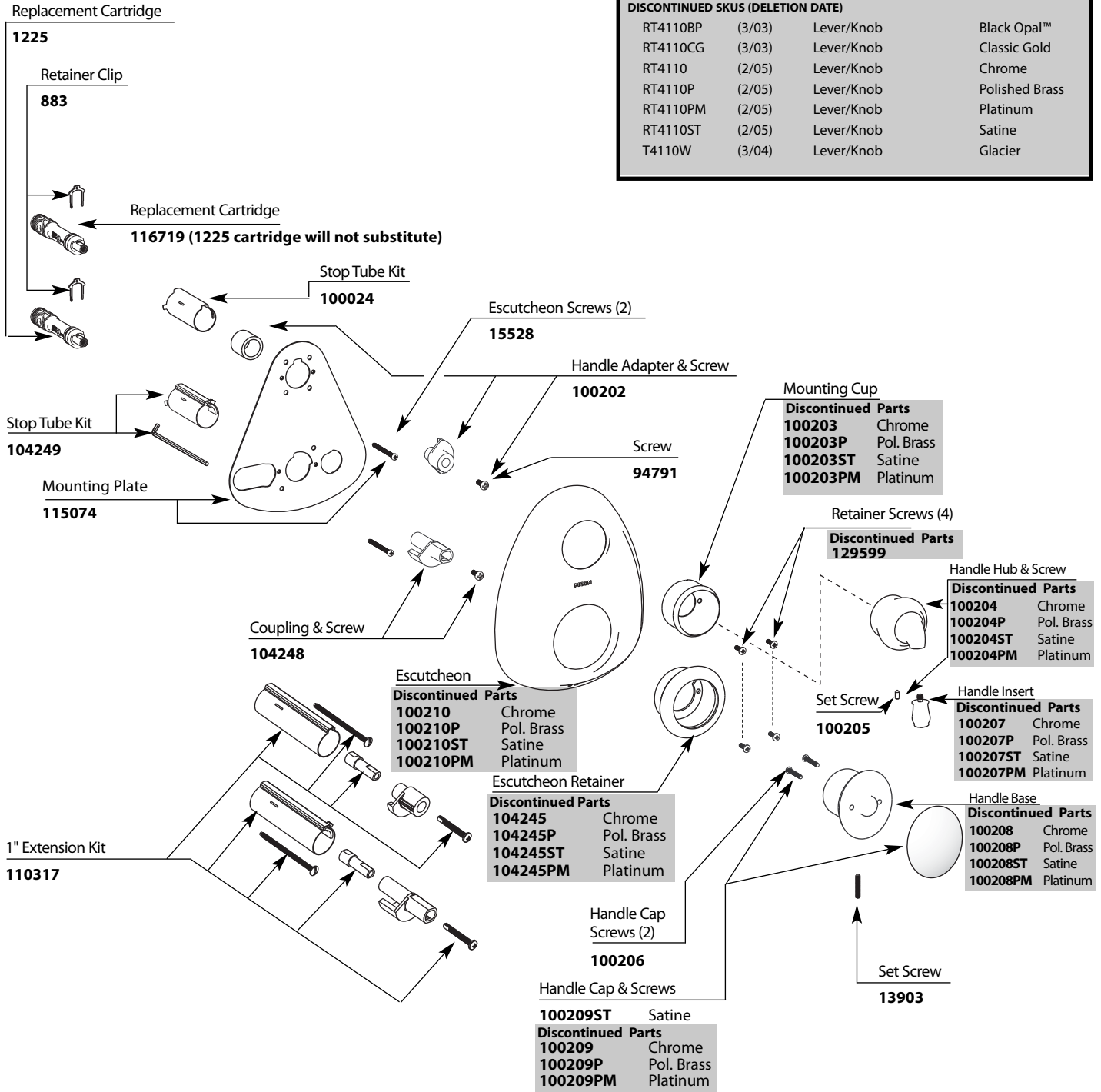
MONTICELLO® MOENTROL® with Built-In 3 Function Diverter Shower Valve Trim

(OLDER DISCONTINUED SYTLE)

MODEL	HANDLE TYPE	FINISH
T4110	Lever/Knob	Chrome
T4110P	Lever/Knob	Polished Brass
T4110PM	Lever/Knob	Platinum
T4110ST	Lever/Knob	Satine™

DISCONTINUED SKUS (DELETION DATE)

RT4110BP	(3/03)	Lever/Knob	Black Opal™
RT4110CG	(3/03)	Lever/Knob	Classic Gold
RT4110	(2/05)	Lever/Knob	Chrome
RT4110P	(2/05)	Lever/Knob	Polished Brass
RT4110PM	(2/05)	Lever/Knob	Platinum
RT4110ST	(2/05)	Lever/Knob	Satine
T4110W	(3/04)	Lever/Knob	Glacier





Buy it for looks. Buy it for life.®

Specifications

DESCRIPTION

- Available in various finishes identified by suffix
- Fixed mount showerhead only
- Nonmetallic spray face and shell
- Brass swivel ball assembly

FLOW

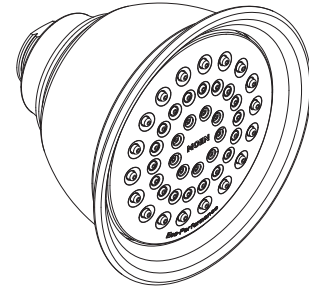
- Showerhead is limited to 2.5 gpm (9.5 L/min) at 80 psi
- EP suffix models are limited to 1.75 gpm (6.6 L/min) at 80 psi

STANDARDS

- Third party certified to meet ASME A112.18.1/CSA B125.1 and all applicable requirements referenced therein
- EP suffix models are IAPMO Green listed and third party certified to WaterSense®

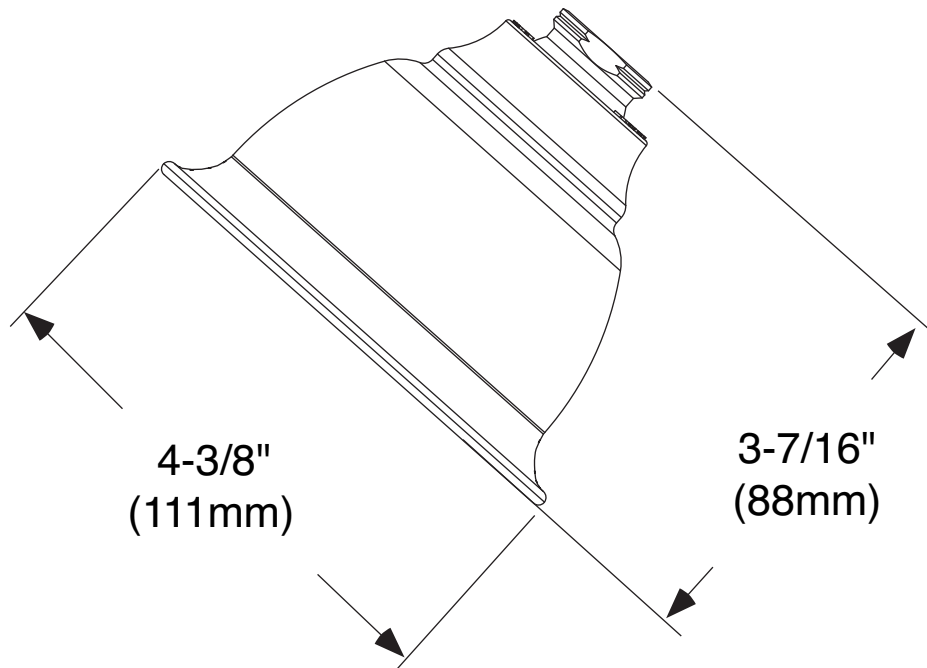
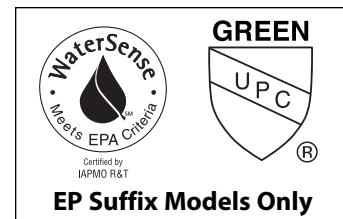
WARRANTY

- Lifetime limited warranty against leaks, drips and finish defects to the original consumer purchaser
- 5 year warranty if used in commercial installations



Moenflo® XL Single Function Showerhead

Models: 6302 series



CRITICAL DIMENSIONS

(DO NOT SCALE)



Buy it for looks. Buy it for life.®

Specifications

DESCRIPTION

- Metallic spray face and shell
- Brass swivel ball assembly
- 1/2" IPS connection
- Available in various finishes identified by suffix

OPERATION

- Single spray function

FLOW

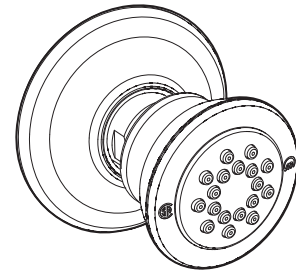
- Designed to deliver 1.75 gpm max (6.6 L/min) at 80 psi

STANDARDS

- Third party certified to ASME A112.18.1/CSA B125.1 and all applicable requirements referenced therein

WARRANTY

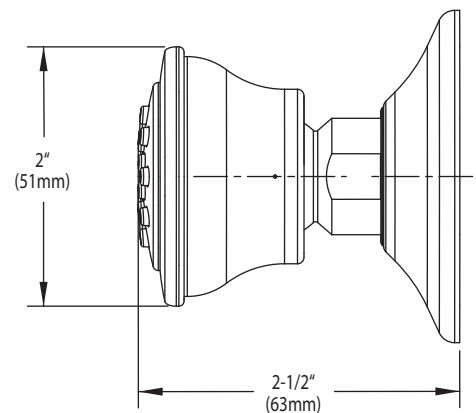
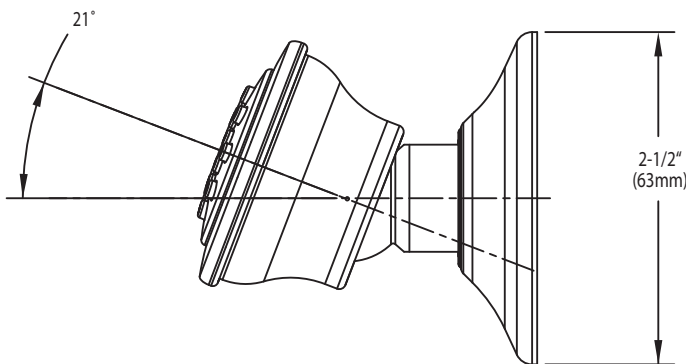
- Warranted for one year against material or manufacturing defects



Small Single Function Body Spray

Models: A501 series

A501 Series



CRITICAL DIMENSIONS

(DO NOT SCALE)