



Buy it for looks. Buy it for life.®

Specifications

DESCRIPTION

- Pressure balancing valve design with integral check stops, 1/2" CC connections, built in 3-function transfer valve

OPERATION

- Pull-on/push-off operation of temperature & volume
- Rotational control of transfer valve
- Temperature operates through an 180° arc of handle travel (full cold to full hot)
- Adjustable temperature limit stop to control maximum hot water temperature
- 180° rotation of transfer valve handle with stops
- Pressure balancing mechanism maintains selected discharge temperature to ± 2°

CARTRIDGE

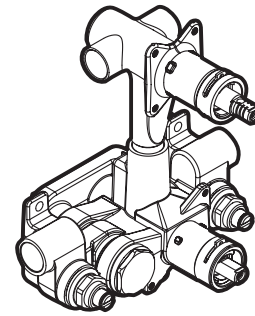
- 1225 cartridge design - Moentrol® valve
- 116719 cartridge design for transfer valve

STANDARDS

- Third party certified by CSA to meet CSA B-125, ASME A112.18.1M

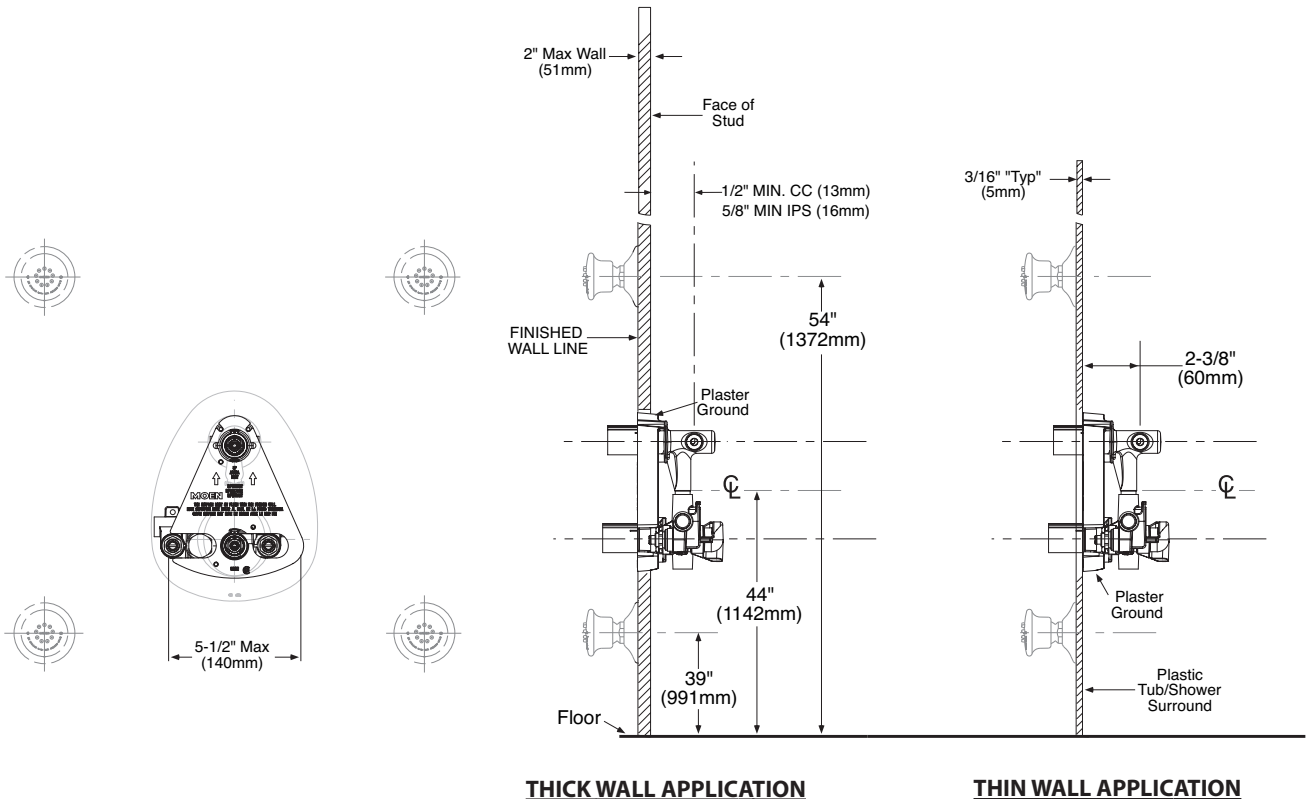
WARRANTY

- Lifetime limited warranty against leaks, drips and finish defects to the original consumer purchaser
- 5 year warranty if used in commercial installations



MOENTROL®
3-Function Built In Transfer Valve

Models: 3320, 3330



CRITICAL DIMENSIONS

(DO NOT SCALE)

FOR MORE INFORMATION CALL: 1-800-BUY-MOEN

www.moen.com



Buy it for looks. Buy it for life.®

Specifications

DESCRIPTION

- Available in various finishes identified by suffix
- Fixed mount showerhead only
- Nonmetallic spray face and shell
- Brass swivel ball assembly

FLOW

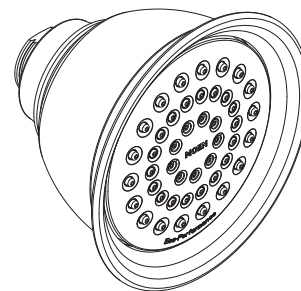
- Showerhead is limited to 2.5 gpm (9.5 L/min) at 80 psi
- EP suffix models are limited to 1.75 gpm (6.6 L/min) at 80 psi

STANDARDS

- Third party certified to meet ASME A112.18.1/CSA B125.1 and all applicable requirements referenced therein
- EP suffix models are IAPMO Green listed and third party certified to WaterSense®

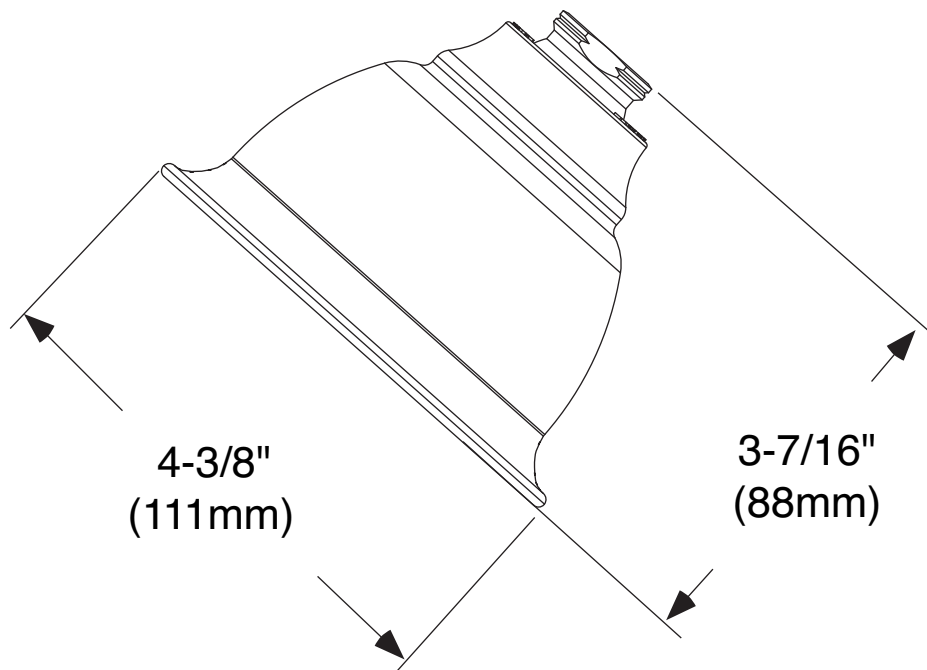
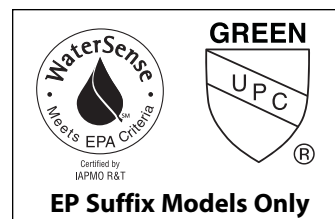
WARRANTY

- Lifetime limited warranty against leaks, drips and finish defects to the original consumer purchaser
- 5 year warranty if used in commercial installations



Moenflo® XL Single Function Showerhead

Models: 6302 series



CRITICAL DIMENSIONS

(DO NOT SCALE)



Buy it for looks. Buy it for life.®

Specifications

DESCRIPTION

- Metallic spray face and shell
- Brass swivel ball assembly
- 1/2" IPS connection
- Available in various finishes identified by suffix

OPERATION

- Single spray function

FLOW

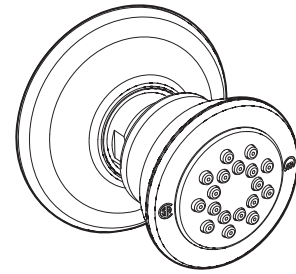
- Designed to deliver 1.75 gpm max (6.6 L/min) at 80 psi

STANDARDS

- Third party certified to ASME A112.18.1/CSA B125.1 and all applicable requirements referenced therein

WARRANTY

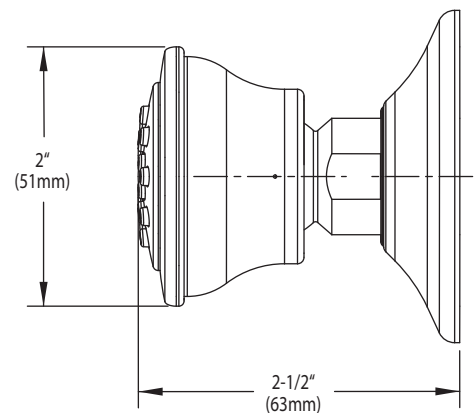
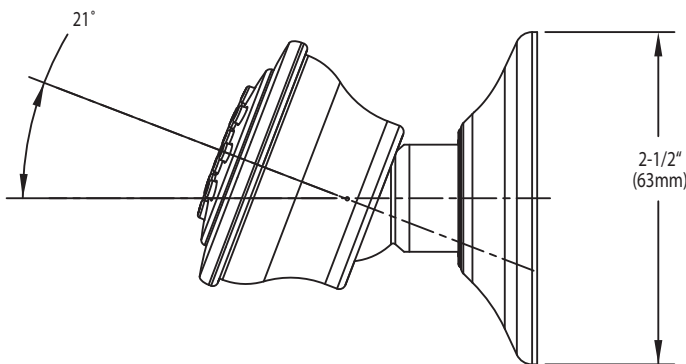
- Warranted for one year against material or manufacturing defects



Small Single Function Body Spray

Models: A501 series

A501 Series



CRITICAL DIMENSIONS

(DO NOT SCALE)



Buy it for looks. Buy it for life.®

Specifications

DESCRIPTION

- Metal construction with various finishes identified by suffix

OPERATION

- Pull-on/push-off operation of temperature and volume, rotational control of transfer valve
- Temperature operates through an 180° arc of handle travel (full cold to full hot)
- Adjustable temperature limit stop to control maximum hot water temperature
- 180° rotation of transfer valve handle with stops
- Pressure balancing mechanism maintains selected discharge temperature to $\pm 3.6^\circ\text{F}$ ($\pm 2^\circ\text{C}$)

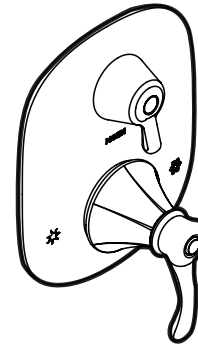
STANDARDS

- Third party certified by CSA to meet CSA B-125, ASME A112.18.1M

- **ADA**  for lever handles

WARRANTY

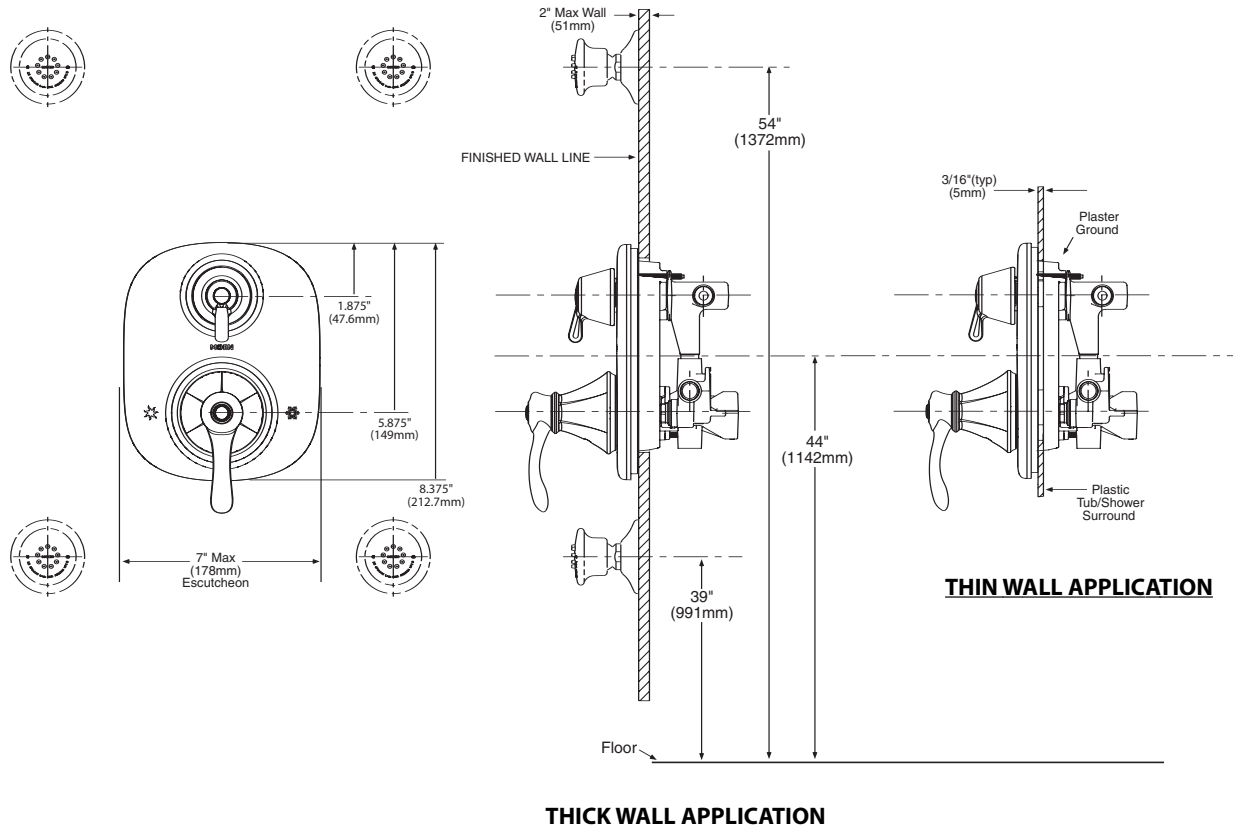
- Lifetime limited warranty against leaks, drips and finish defects to the original consumer purchaser
- 5 year warranty if used in commercial installations



VESTIGE™ MOENTROL®
with Built-In 3 Function Transfer Valve Trim

Models: T4113 series

Valves: 3330 series,
3320 series



CRITICAL DIMENSIONS

(DO NOT SCALE)