



Buy it for looks. Buy it for life.®

# Specifications

## DESCRIPTION

- Metal construction with various finishes identified by suffix
- Includes metal pop-up type waste assembly
- Includes 3 hole deck plate (escutcheon)
- Flexible supplies with 3/8" compression fittings

## OPERATION

- Pivot action lever style handle
- Temperature controlled by 100° arc of handle travel


## FLOW

- Aerator is limited to 1.5 gpm (5.7 L/min) at 60 psi

## CARTRIDGE

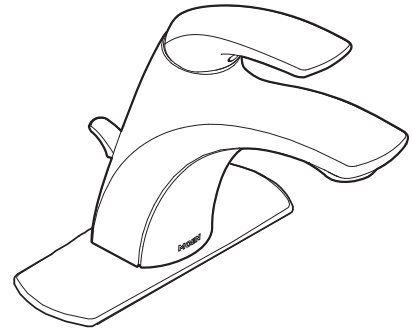
- 1255™ Duralast™ cartridge for Single-Handle Faucets

## STANDARDS

- Third party certified to WaterSense®, ASME A112.18.1/CSA B125.1, NSF61/9, and all applicable requirements referenced therein
- Third party certified to comply with WaterSense® High Efficiency Bathroom Sink Faucet Specification
- Contains no more than 0.25% weighted average lead content
- Complies with California Proposition 65 and with the Federal Safe Drinking Water Act
- **ADA**  for lever handle

## WARRANTY

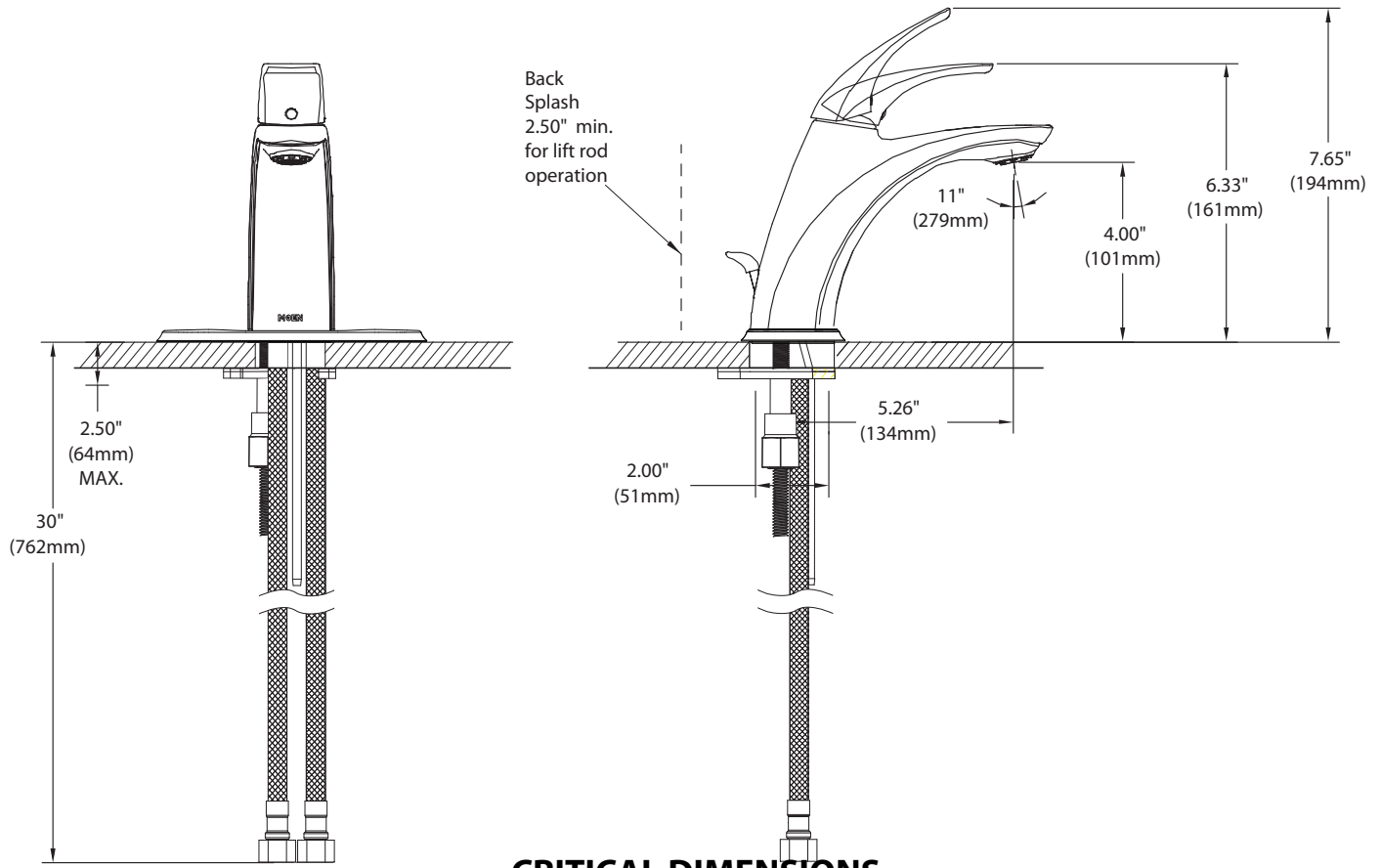
- Lifetime limited warranty against leaks, drips and finish defects to the original consumer purchaser
- 5 year warranty if used in commercial installations



## Zarina Single-Handle Lavatory Faucet

Model: L84533

**NOTE:** THIS FAUCET IS DESIGNED TO BE INSTALLED THRU 1 HOLE, 1-1/8" MIN. DIA.



## CRITICAL DIMENSIONS

(DO NOT SCALE)

FOR MORE INFORMATION CALL: 1-800-BUY-MOEN

www.moen.com