

DESCRIPTION

- Metal construction with chrome plated, LifeShine® brushed nickel, or Lifeshine® brushed bronze finishes
- For installations from 8" (203mm) to 16" (406mm) centers
- Designed to be installed on decks up to 2-1/8" (54mm)
- The tub fill spout is a slip fit design and the supplies are 1/2" type K, copper tubing
- For use with S924 valve



OPERATION

- Lever style handles
- Rotate hot side handle counterclockwise to open and clockwise to close.
- Rotate cold side handle clockwise to open and counterclockwise to close

FLOW

- Spout designed to deliver 18 gpm max. at 40 psi (68 L/min)
- Hand shower meets 2.5 gpm max. (9.5 L/min)

CARTRIDGE

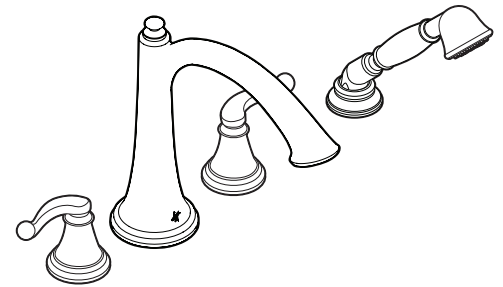
- 1248 cartridge design
- Non-metallic and stainless steel materials

STANDARDS

- Third party certified to CSA B125, ASME A112.18.1M, ANSI A117.1 and all applicable requirements referenced therein

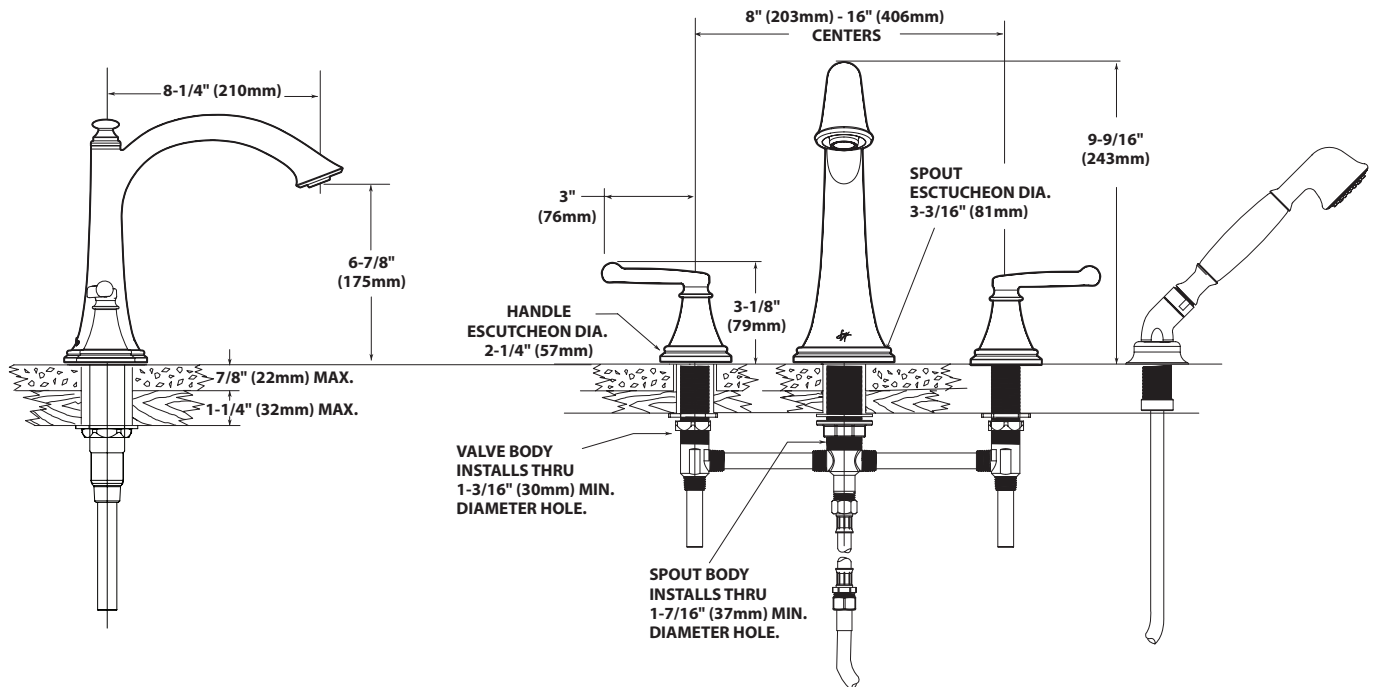
WARRANTY

- Lifetime limited warranty against leaks, drips and finish defects to the original consumer purchaser
- 5 year warranty if used in commercial installations



**Savvy™
Two-Handle Roman Tub Faucet Trim
with Integral Diverter**

Models: TS294, TS294BN, TS294BB



NOTE: THE INSTALLATION SHOWN IS FOR TILE DECKS, THIS VALVE WILL ALSO FIT STEEL, CAST IRON OR PLASTIC DECKS

CRITICAL DIMENSIONS

(DO NOT SCALE)