

**DESCRIPTION**

- Metal construction with Lifeshine® brushed nickel finish
- 1/2" IPS connections
- Includes metal pop-up type waste assembly
- For use with S948 valve

**OPERATION**

- Lever style handles
- Maximum handle rotation angle is 90° to full on for either handle
- Hot side counterclockwise to open (clockwise to close)
- Cold side clockwise to open (counterclockwise to close)

**FLOW**

- Aerator is limited to 2.2 gpm max (8.3 L/min)

**CARTRIDGE**

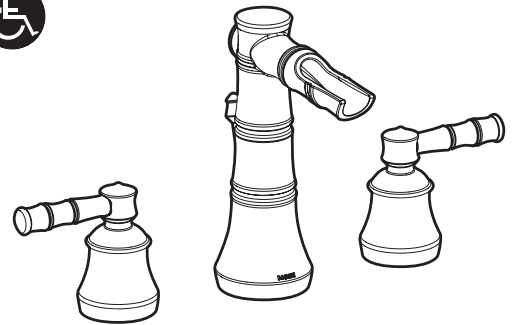
- 1224 cartridge design
- Nonmetallic and stainless steel material

**STANDARDS**

- Third party certified by CSA and IAPMO to meet ASME A112.18.1M and all applicable requirements referenced therein and complies with the applicable requirements of ANSI A117.1
- Certified to ANSI/NSF 61/9
- Complies with California Proposition 65 and with the Federal Safe Water Drinking Act

**WARRANTY**

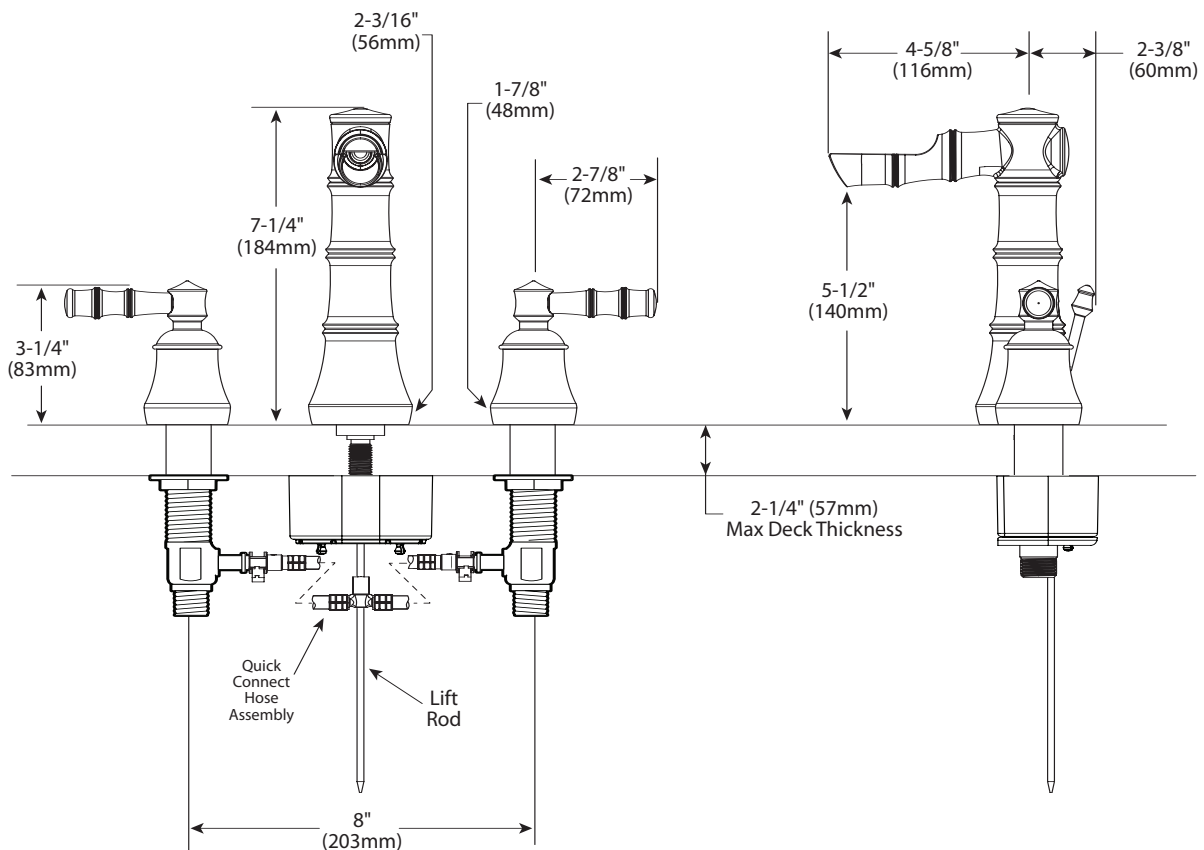
- Lifetime limited warranty against leaks, drips and finish defects to the original consumer purchaser
- 5 year warranty if used in commercial installations



**BAMBOO™**  
**Two-Handle Widespread**  
**Lavatory Faucet Trim**

**Model: TS881BN**

**NOTE:** This faucet is designed to be installed thru 3 holes, 1" min. dia.



**CRITICAL DIMENSIONS**

(DO NOT SCALE)