

**DESCRIPTION**

- Metal construction with various finishes identified by suffix
- Includes 7" rainfall showerhead, 8" arm, flange and diverter tub spout
- For use with S932 1/2" CC valve

**OPERATION**

- Handle operates counterclockwise through a 270° arc with off at 6 o'clock and maximum hot at the 9 o'clock position. Shut off in clockwise direction
- Adjustable temperature limit stop to control maximum hot water temperature
- Pressure balancing mechanism maintains selected discharge temperature to ± 3.6°F (± 2°C)
- Temperature indicators on escutcheon

**FLOW**

- Showerhead is limited to 2.5 gpm max. (9.5 L/min)

**CARTRIDGE**

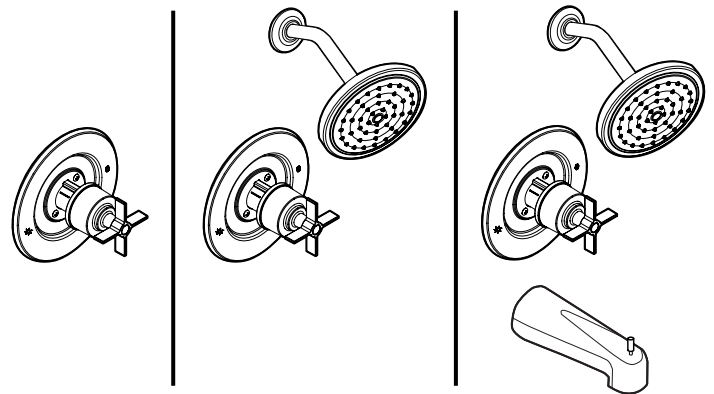
- 1222 cartridge design
- Nonmetallic/nonferrous and stainless steel materials
- Accommodates back to back installations

**STANDARDS**

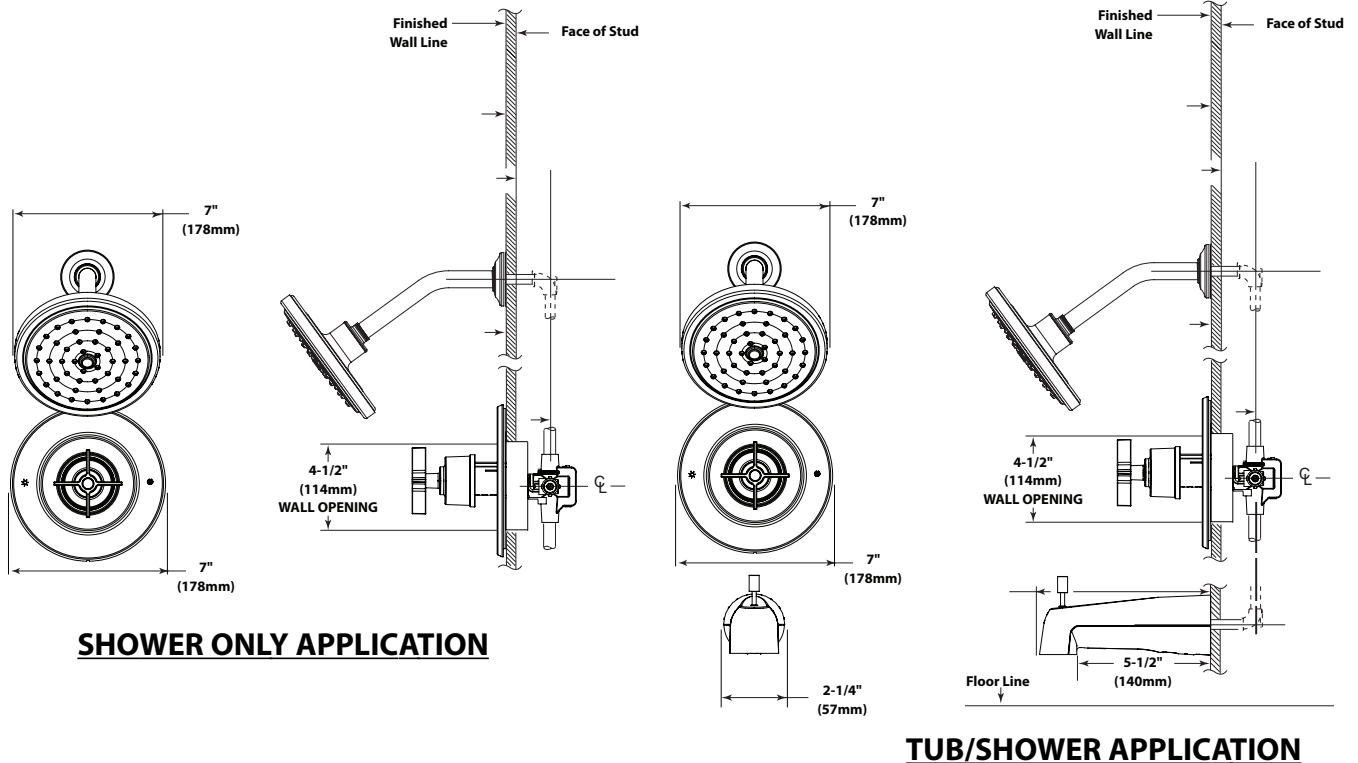
- Third party certified to CSA B125, ASME A112.18.1M, ANSI A117.1, ASSE 1016, and all applicable requirements referenced therein

**WARRANTY**

- Lifetime limited warranty against leaks, drips and finish defects to the original consumer purchaser
- 5 year warranty if used in commercial installations



**Solace™ Posi-Temp®**  
Single-Handle Tub/Shower (Trim Only)  
Models: TS373 series-valve trim only  
TS377 series-shower trim only  
TS379 series-tub/shower trim  
Valve: S932



**CRITICAL DIMENSIONS**  
(DO NOT SCALE)