

FAUCET DESCRIPTION

- Chrome plated brass and metal construction
- Supplied with vandal resistant screws

OPERATION

- Lever style handle with temperature indicator on the escutcheon
- Pull-on/push-off operation
- Temperature operates through an 180° arc of handle travel (full cold to full hot)
- Adjustable temperature limit stop to limit the handle travel in the HOT direction
- Pressure balancing mechanism maintains selected discharge temperature to $\pm 2^\circ$

CARTRIDGE

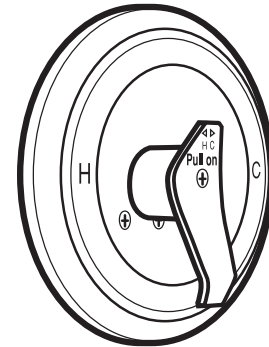
- Combine with a Moentol valve:
 - *Includes the 1225 cartridge
- Nonmetallic/nonferrous and stainless steel materials
- Accommodates back to back installations

STANDARDS

- Third party certified to: ASME A112.18.1/CSA B-125.1 and all applicable requirements referenced therein including NSF61/9
- **ADA** for lever handle

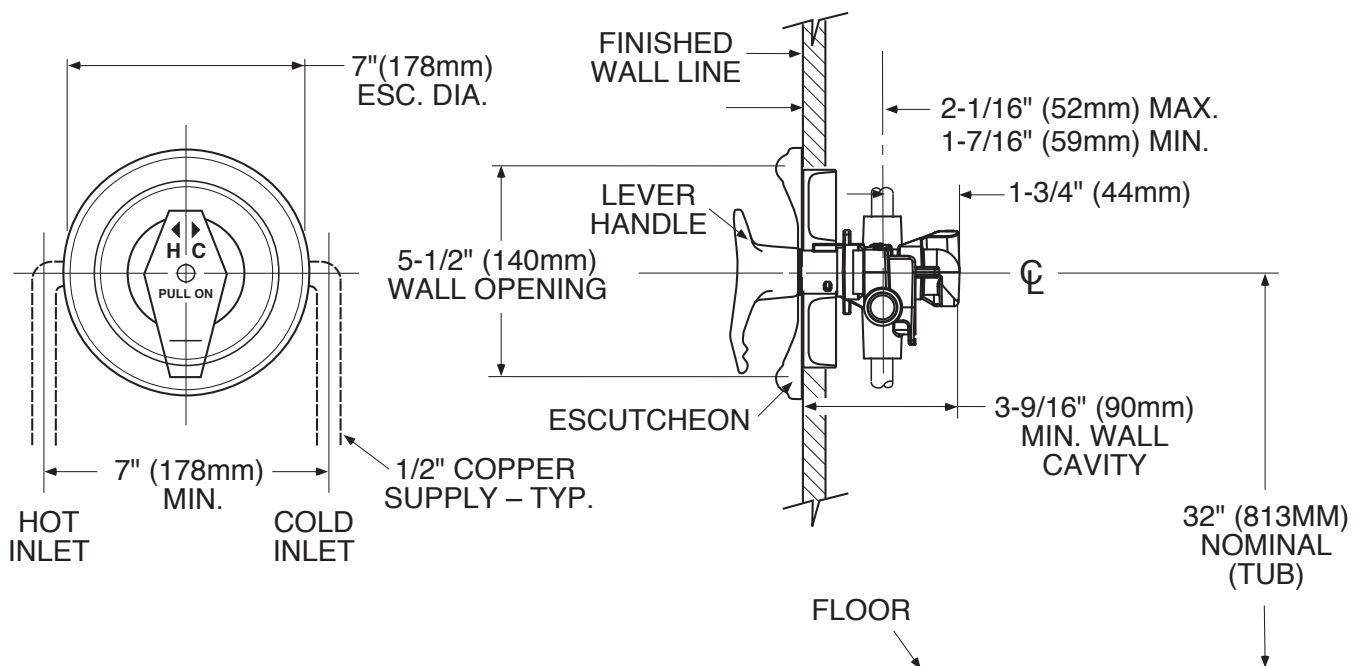
WARRANTY

- Warranted for 5 years against material or manufacturing defects



Single-Handle Moentrol Pressure Balancing Tub/Shower Valve Trim Only

Model: T8350



CRITICAL DIMENSIONS

(DO NOT SCALE)