

DESCRIPTION

- Metal construction with chrome plated, chrome w/porcelain, chrome w/LifeShine® polished brass accents, LifeShine® polished brass, satine or satine w/LifeShine® polished brass accents
- 1/2" IPS connections
- Includes hot (red) and cold (blue) temperature indicators

OPERATION

- Lever style handles
- Maximum handle rotation angle is 90° to full on for either handle. Rotate Hot side, counterclockwise to open (clockwise to close). Rotate Cold side, clockwise to open (counterclockwise to close)
- Includes hot (red) and cold (blue) color indicators

FLOW

- Aerator is limited to 2.2 gpm (8.3 L/min)

CARTRIDGE

- 1224 cartridge design
- Nonmetallic and stainless steel material

STANDARDS

- Third party certified to meet CSA B-125, ASME A112.18.1M and all applicable requirements referenced therein
- Certified to ANSI/NSF 61/9
- Complies with California Proposition 65 and with the Federal Safe Drinking Water Act

WARRANTY

- Lifetime limited warranty against leaks, drips and finish defects to the original consumer purchaser
- 5 year warranty if used in commercial installations



CASTLEBY™
Two-Handle Widespread
Lavatory Faucet

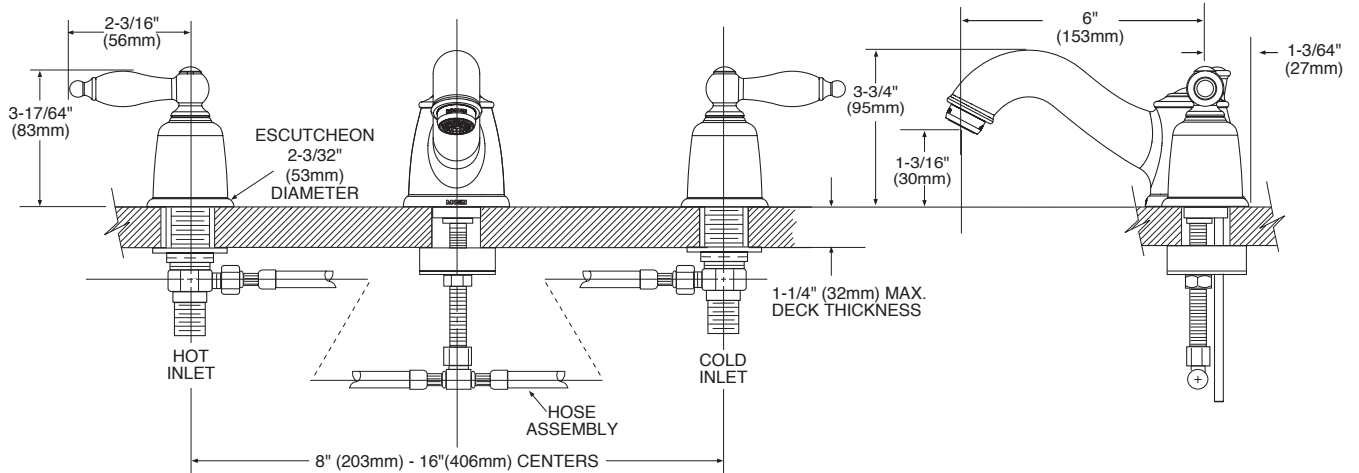
Models: T4965, T4965CP, T4965CPC,
T4965P, T4965ST, T4965STST

Valve: 9000, 69000

NOTE: See reverse side
for illustrated parts and handle options

NOTE: For deck thickness 1-3/8" - 3", use service kit #
115001. Valves install through 1-1/4" dia. hole.

NOTE: SPOUT INSTALLS THROUGH 1-1/8" MIN.
DIA. HOLE. VALVES INSTALL THROUGH
1-1/8" MIN. DIA. HOLE



CRITICAL DIMENSIONS

(DO NOT SCALE)