

## DESCRIPTION

- Metal construction with a chrome plated, LifeShine® polished brass or glacier finish
- 1/2" CC connections
- Includes adjustable showerhead, arm, flange and diverter tub spout

## OPERATION

- Pull-on/push-off design
- Lever style handle with optional interchangeable insert
- Allows control of both temperature selection and volume with a single handle

## FLOW

- Showerhead is limited to 2.5 gpm (9.5 L/min)

## CARTRIDGE

- 1225 cartridge design
- Nonmetallic/nonferrous and stainless steel materials
- Accommodates back to back installations

## STANDARDS

- Third party certified by CSA to meet CSA B-125, ASME A112.18.1M and all applicable requirements referenced therein and complies with the applicable requirements of ANSI A117.1

## WARRANTY

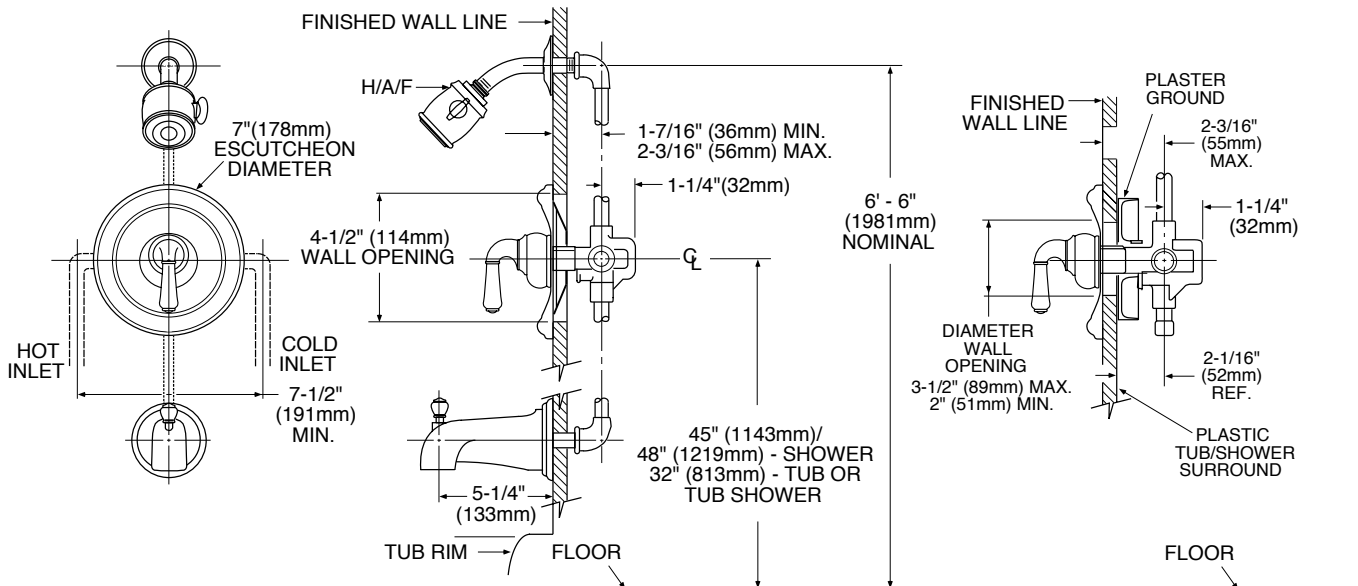
- Lifetime limited warranty against leaks, drips and finish defects to the original consumer purchaser
- 5 year warranty if used in commercial installations



### MONTICELLO® Single-Handle Tub/Shower Trim Only

Models: T2529, T2529CP, T2529P, T2529W  
(Packed 1 per carton)

NOTE: See reverse side for illustrated parts and optional handle inserts



### THICK WALL APPLICATION

### THIN WALL APPLICATION

## CRITICAL DIMENSIONS

(DO NOT SCALE)



ADA symbol applies to shower valve control only.