

**DESCRIPTION**

- Solid brass body with chrome plated finish
- Sleek modern styling
- Single hole faucet application
- Includes metal waste assembly

**OPERATION**

- Adjustable infrared sensor (range, turnoff delay and obstruction delay)
- Temperature controlled with below deck mixing tee
- Battery powered (AC optional)


**FLOW**

- Flow is limited to 1.5 gpm max (5.7 L/min) at 60 psi, for products made before October 2008 flow is limited to 2.2 gpm max. (8.3 L/min)

**VALVES**

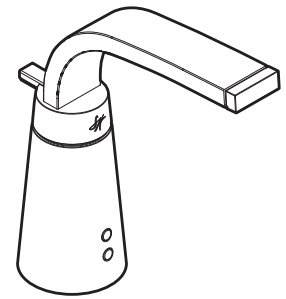
- In-line filter included
- Slow close solenoid valve

**STANDARDS**

- Third party certified to: WaterSense®, ASME A112.18.1, ICC 117.1 and all applicable requirements referenced therein
- ADA  compliant

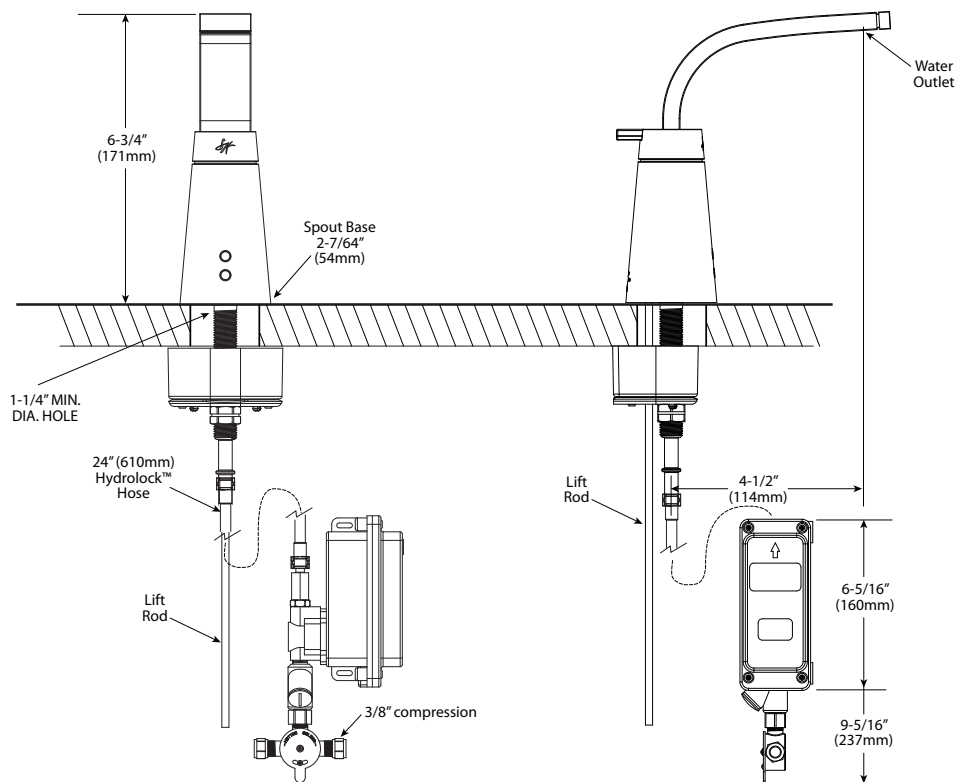
**WARRANTY**

- Lifetime limited warranty against leaks, drips and finish defects to the original consumer purchaser
- 5 year warranty if used in commercial installations
- 1 year warranty on electronic components



**Destiny™**  
**Single Hole Electronic Lavatory Faucet**  
**Model: S899**

**NOTE:** DESIGNED TO INSTALL THRU ONE  
1-1/4" MIN. DIA. HOLE



**CRITICAL DIMENSIONS**

(DO NOT SCALE)