



Buy it for looks. Buy it for life.®

*There is more than 1 version of this model.
Page down to identify the version you have.*

■ Order by Part Number

Illustrated Parts

| ICON™ | |
|--|----------------|
| 4" Lavatory Faucet w/Metal Waste Assy. | |
| MODEL | FINISH |
| S6510 | Chrome |
| S6510BB | Brushed Bronze |
| S6510BN | Brushed Nickel |

Handle Kit - HOT

- 128876** Chrome
- 128876BB** Brushed Bronze
- 128876BN** Brushed Nickel

Handle Kit - COLD

- 128877** Chrome
- 128877BB** Brushed Bronze
- 128877BN** Brushed Nickel

Lift Rod Kit

- 123804** Chrome
- 123804BB** Brushed Bronze
- 123804BN** Brushed Nickel

Cartridge Nut (x2)

97535

Replacement Cartridge

1224

Aerator (Includes Tool)

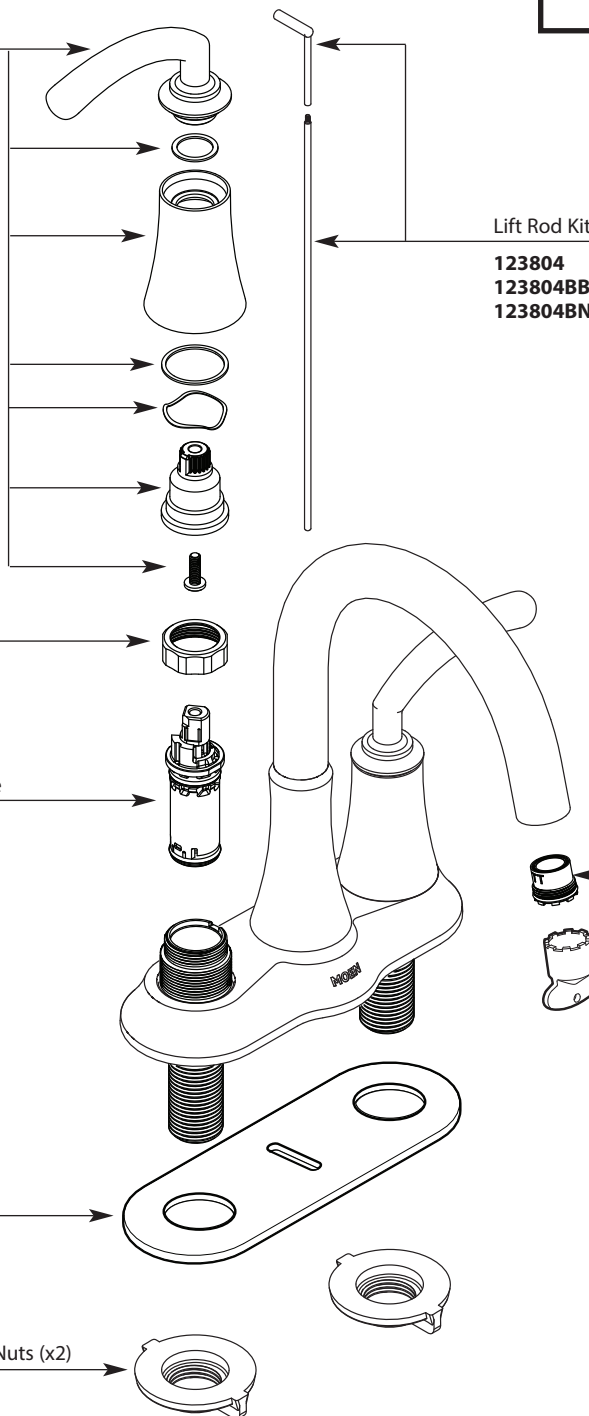
- 181085** 1.2gpm
- 316711** 1.5gpm
- 128878** 2.2gpm

Gasket

128869

Low Profile Mounting Nuts (x2)

145665





Buy it for looks. Buy it for life.®

Illustrated Parts

■ Order by Part Number

| ICON™ | |
|--|----------------|
| 4" Lavatory Faucet w/Metal Waste Assy. | |
| MODEL | FINISH |
| S6510 | Chrome |
| S6510BB | Brushed Bronze |
| S6510BN | Brushed Nickel |

Handle Kit - HOT

- 128876** Chrome
- 128876BB** Brushed Bronze
- 128876BN** Brushed Nickel

Handle Kit - COLD

- 128877** Chrome
- 128877BB** Brushed Bronze
- 128877BN** Brushed Nickel

Lift Rod Kit

- 123804** Chrome
- 123804BB** Brushed Bronze
- 123804BN** Brushed Nickel

Cartridge Nut (x2)

97535

Replacement Cartridge

1224

Aerator (Includes Tool)

- 181085** 1.2gpm
- 316711** 1.5gpm
- 128878** 2.2gpm

Gasket

128869

Hardware Package

13678

