

**DESCRIPTION**

- Metal construction with various finishes identified by suffix
- 1/2" IPS connection

**OPERATION**

- Flow levers operate counterclockwise through 180 degree arc with shut off at 6 o'clock and maximum flow at the 12 o'clock position. Shut off in clockwise direction


**FLOW**

- 5.5 gpm @ 45 psi

**CARTRIDGE**

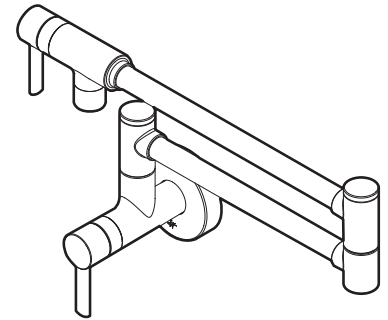
- 1224 cartridge design
- Nonmetallic and stainless steel materials

**STANDARDS**

- Third party certified to ASME A112.18.1/CSA B125.1 and all applicable requirements therein including NSF 61/9
- Contains no more than 0.25% weighted average lead content
- Complies with California Proposition 65 and with the Federal Safe Drinking Water Act
- ADA  for lever handles

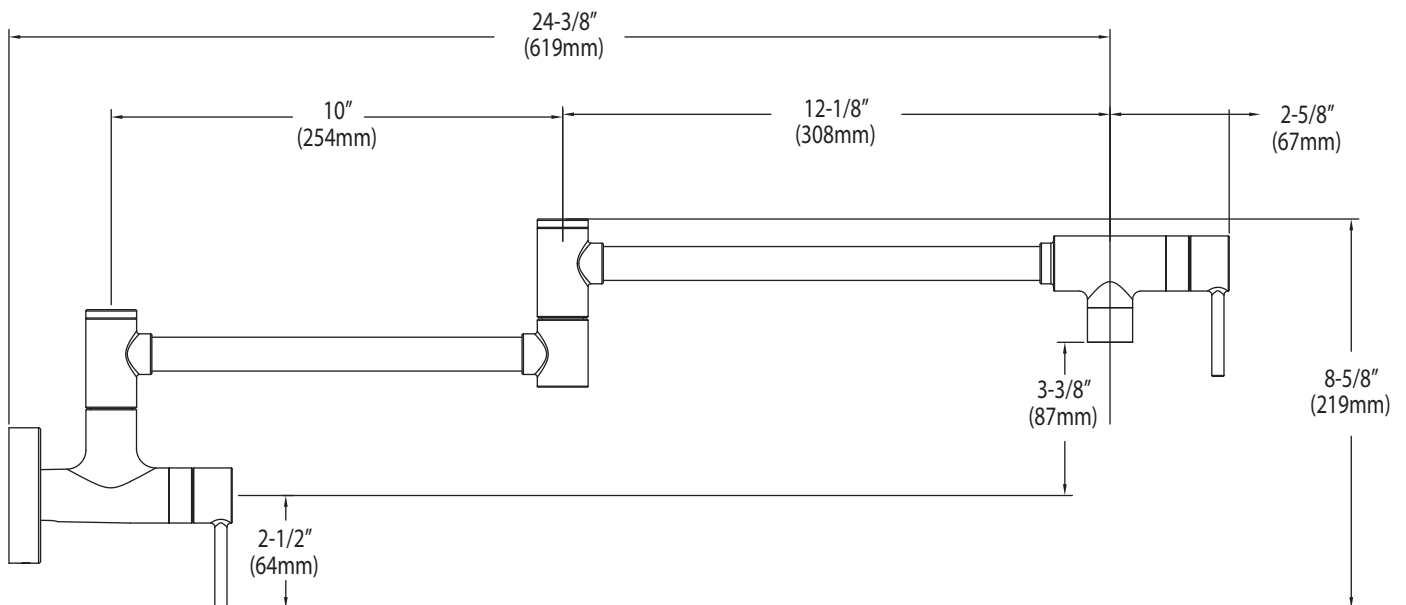
**WARRANTY**

- Lifetime limited warranty against leaks, drips and finish defects to the original consumer purchaser
- 5 year warranty if used in commercial installations



**Pot Filler Faucet**

**Models:** CAS665 series



**CRITICAL DIMENSIONS**

(DO NOT SCALE)