



Buy it for looks. Buy it for life.®

Specifications

SINK DESCRIPTION

- Manufactured of 18 gauge stainless steel
- The two bowls, the larger bowl is 18" x 18" x 10" and the smaller bowl is 9" x 16" x 6"
- Has two 3-1/2" diameter recessed drain opening
- Soundshield undercoating maximizes sound deadening and inhibits condensation
- Made in U.S.A.
- Silicone sealant not provided. Includes mounting bracket. Other standard mounting hardware not included

INSTALLATION

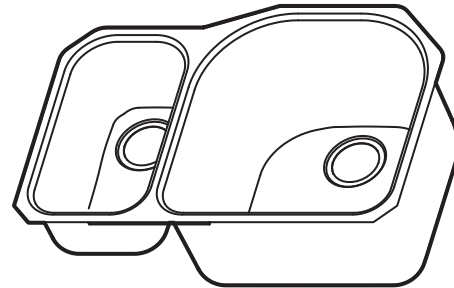
- Template enclosed with sink
- Template ordering number 22521

STANDARDS

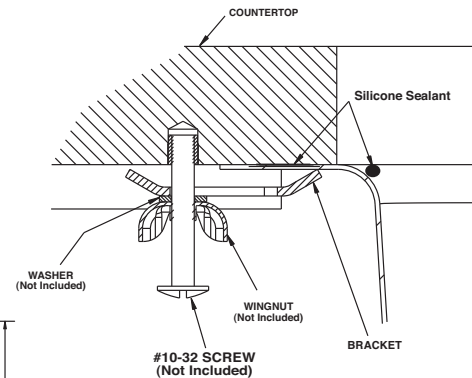
- Third party certified to ASME A112.19.3/CSA B45.4 and all applicable specifications referenced therein

WARRANTY

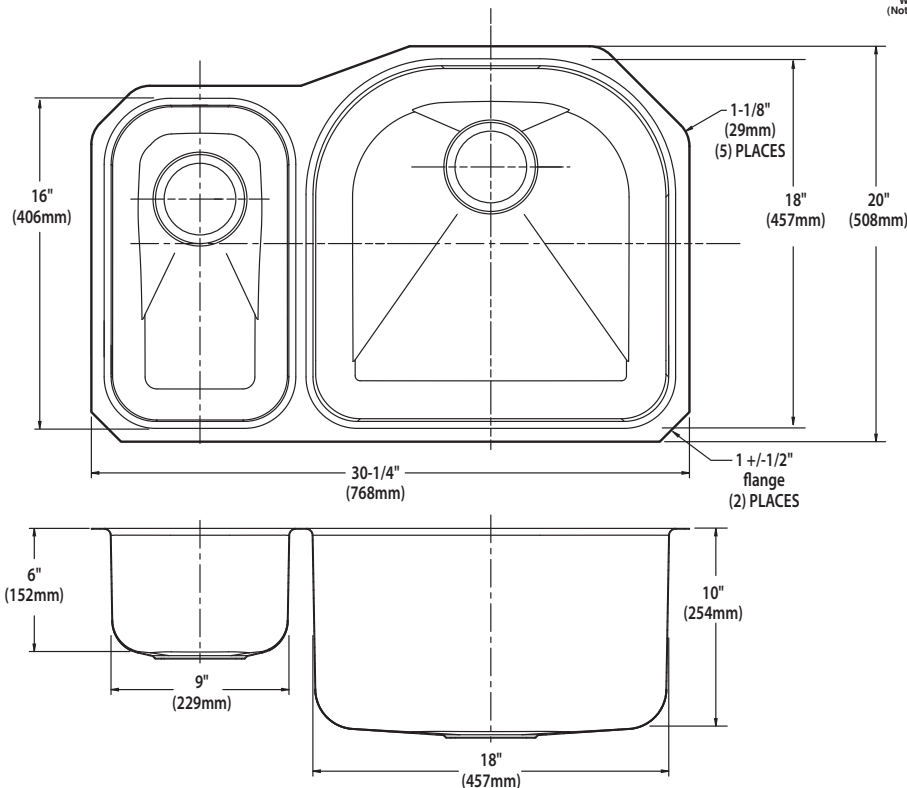
- Warranted for fifteen years against material or manufacturing defects



**Lancelot® Undermount
Double Bowl Sink
Model: S22373
(UMTLSLDR 2818-D-6-10)**



Installation Detail



CRITICAL DIMENSIONS

(DO NOT SCALE)