



Buy it for looks. Buy it for life.®

Specifications

SINK DESCRIPTION

- Manufactured of 18 gauge stainless steel
- Two bowls are a minimum of 14" x 16" x 8"
- Has two 3-1/2" diameter recessed drain openings
- Soundshield undercoating maximizes sound deadening and inhibits condensation
- Made in U.S.A.
- Silicone sealant not provided. Includes mounting bracket. Other standard mounting hardware not included

INSTALLATION

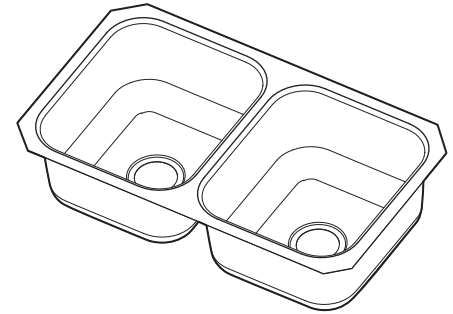
- Template enclosed with sink.
- Template ordering number 22508.

STANDARDS

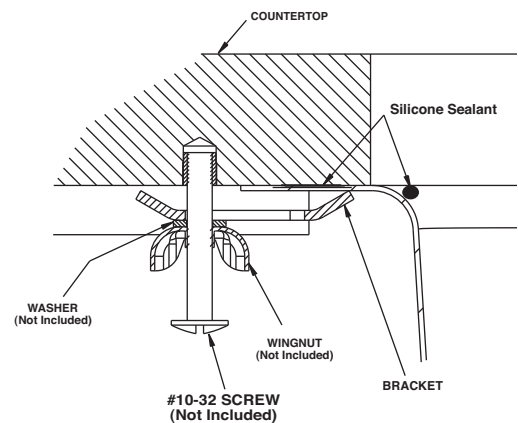
- Third party certified to ASME A112.19.3/CSA B45.4 and all applicable specifications referenced therein

WARRANTY

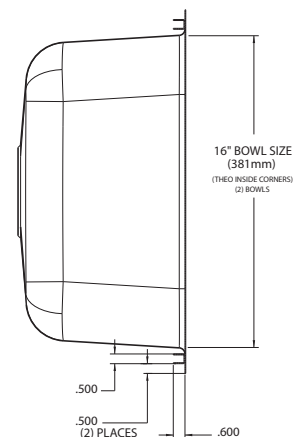
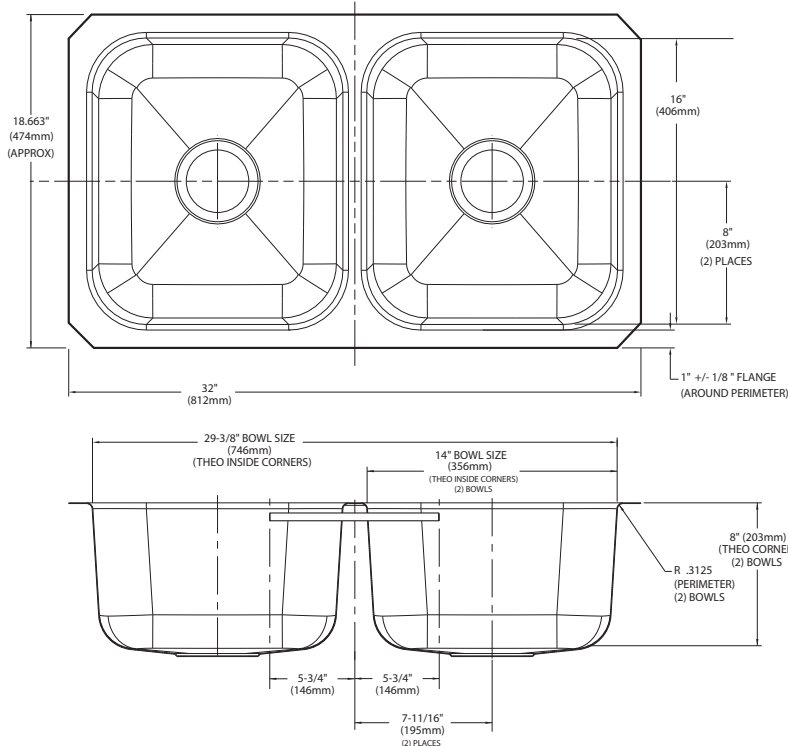
- Warranted for fifteen years against material or manufacturing defects



**Lancelot® Undermount
Double Bowl Sink
Model: S22357
(UMTLDE-29" x 16" x 8")**



Installation Detail



CRITICAL DIMENSIONS

(DO NOT SCALE)