



Buy it for looks. Buy it for life.®

# Specifications

## SINK DESCRIPTION

- Manufactured of 16 gauge stainless steel
- The two bowls, the larger bowl is 18" x 18" x 10" and the smaller bowl is 13" x 18" x 10"
- Has two 3-1/2" diameter recessed drain opening
- SoundShield undercoating maximizes sound deadening and inhibits condensation.
- Made in U.S.A.
- Silicone sealant not provided. Includes mounting bracket. Other standard mounting hardware not included

## INSTALLATION

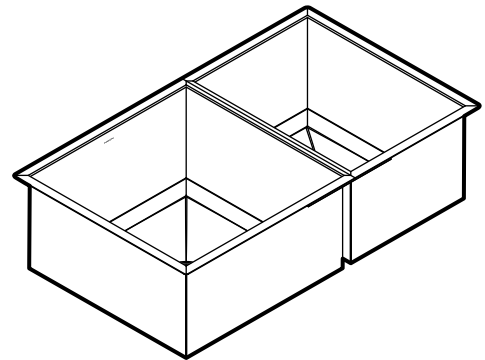
- Cut out template included with sink
- Template ordering number 22538

## STANDARDS

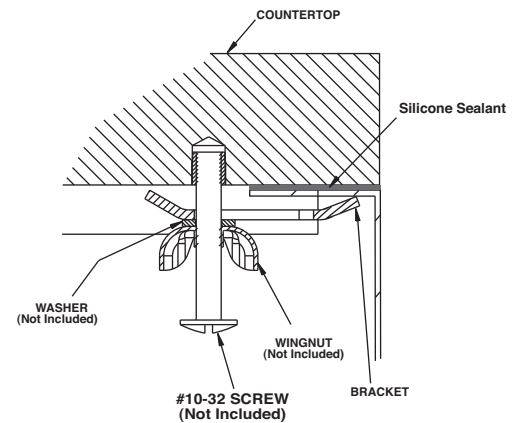
- Third party certified to ASME A112.19.3/CSA B45.4 and all applicable specifications referenced therein

## WARRANTY

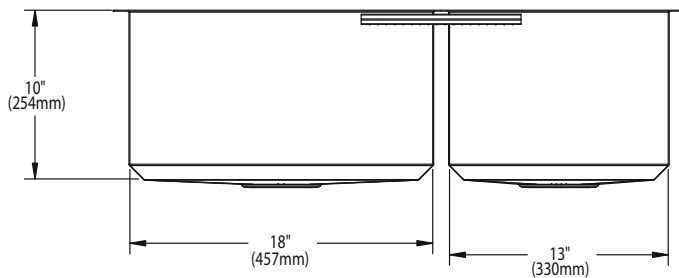
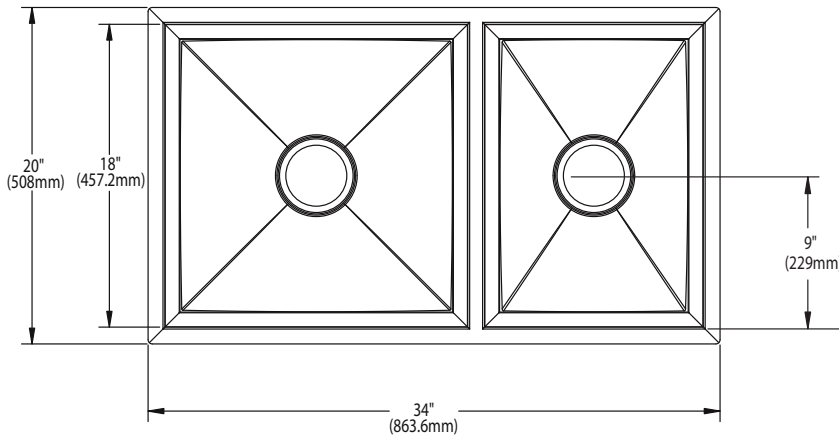
- Warranted for fifteen years against material or manufacturing defects



**Lancelot® Professional Undermount  
Double Bowl Sink  
Model: S22379  
(UMTLR-3218-10-10)**



**Installation Detail**



## CRITICAL DIMENSIONS

(DO NOT SCALE)

FOR MORE INFORMATION CALL: 1-800-BUY-MOEN

www.moen.com