

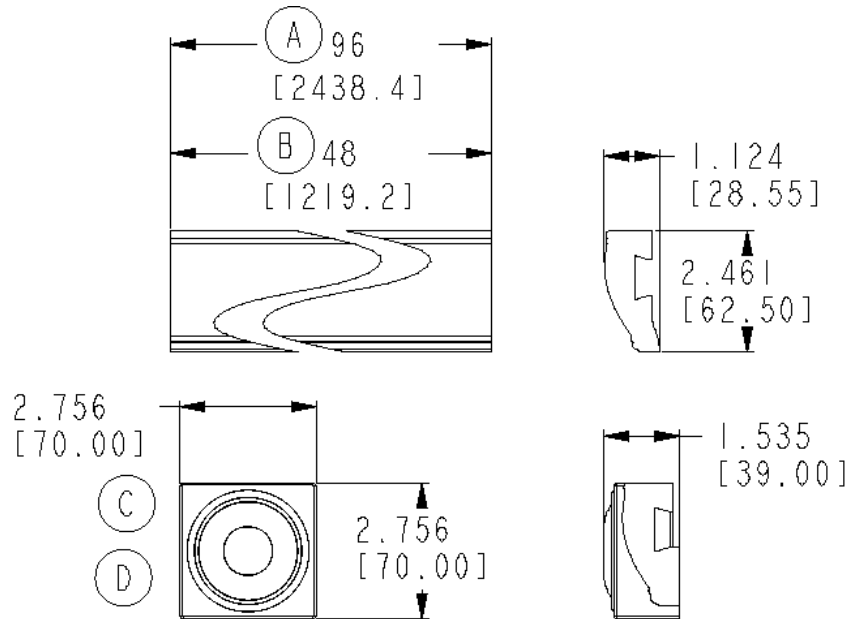
Mirrorscapes Technical Specification

2000 Series

Stock Numbers:

- q **MS2048 – 4' Decorative Straight (1 pair)**
L = Autumn Finish (coordinates w/ maple)
BN = Brushed Nickel Finish
CH = Chrome Finish
BK = Black Finish
BB = Brushed Bronze
- q **MS2096 – 8' Decorative Straight (1 pair)**
L = Autumn Finish (coordinates w/ maple)
BN = Brushed Nickel Finish
CH = Chrome Finish
BK = Black Finish
BB = Brushed Bronze
- q **MC2000 – Decorative Corners (4 corners)**
L = Autumn Finish (coordinates w/ maple)
BN = Brushed Nickel Finish
CH = Chrome Finish
BK = Black Finish
BB = Brushed Bronze
- q **ME2055 – Decorative Extensions (2 extensions)**
L = Autumn Finish (coordinates w/ maple)
BN = Brushed Nickel Finish
CH = Chrome Finish
BK = Black Finish
BB = Brushed Bronze

Dimensions:



Installation Instructions:

1. Remove backing to expose adhesive on mounting brackets.
2. Position corner template on the mirror.
3. Guided by corner template, secure corner mounting bracket to mirror.
4. Once mounting bracket is secured, remove corner template.
5. Repeat for all corners.
6. Center straight template at edge of mirror.
7. Guided by straight template, secure straight mounting bracket to mirror.
8. Once mounting bracket is secured, remove straight mounting template.
9. Repeat on all sides of mirror.
10. Attach decorative corners onto corner mounting brackets.
11. With a marker, trace a line on the mirror along the inner edges of the corner brackets.
12. Remove decorative corners.
13. Measure between marked lines to determine lengths of straight pieces.
14. Cut straight pieces to measurements made in step 13.
15. Press straight pieces onto mounting brackets.
16. Press decorative corners onto mounting brackets.

Materials:

2000 series straights are wood.
Corners are wood. Mounting brackets are ABS plastic.

Cleaning Instructions:

To preserve the fine finish of this product, clean only with a soft cloth. Do not use commercial or abrasive cleaners.

Stock Number: _____ Mirrorscapes
By Creative Specialties



25300 AL MOEN DRIVE • NORTH OLMSTED, OH 44070
CORPORATE HEADQUARTERS: (800) 321-8809 • FAX: (800) 848-6636
INTERNATIONAL: (440) 962-2000 • FAX: (440) 962-2726
CUSTOMER SERVICE (USA): 800-882-0116 • FAX: (888) 379-2720

©Copyright Creative Specialties International

Literature #BA1410