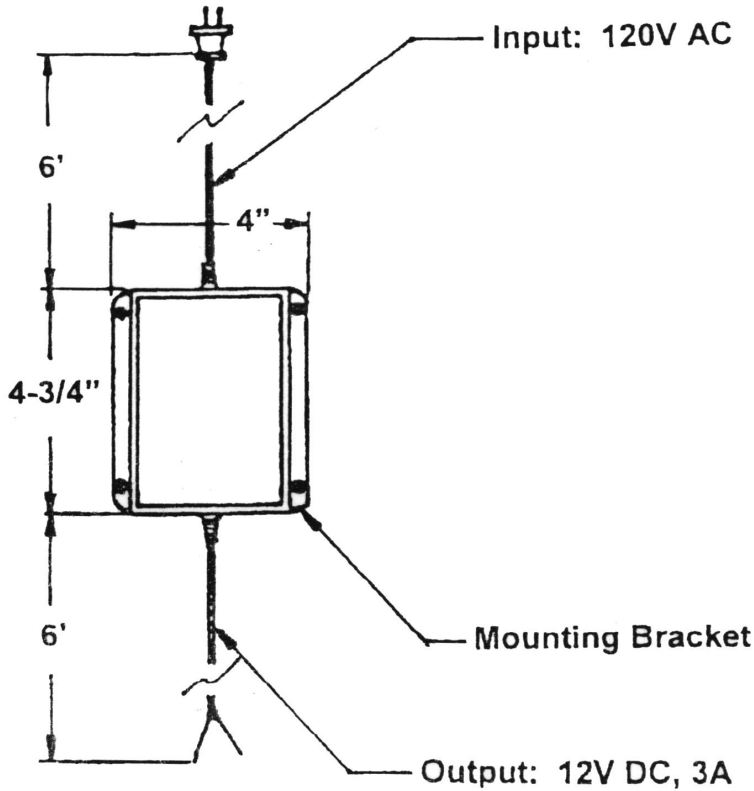


■ Order by Part Name and
Part Number (Bold Face Type)

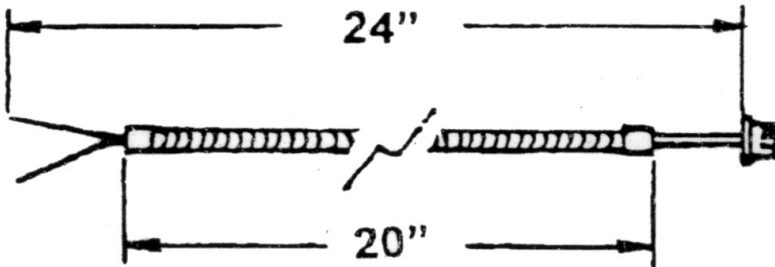
Multi-Unit Power AC Adapter & 24" Wire Lead

MODEL	DESCRIPTION
104401	120V AC Multi Unit Adapter
104402	Wire Lead



104401 120V AC Multi Unit Adapter

Warning: Do not touch leads (+ -) together while unit is plugged in. Unit will fail and warranty will be voided.



104402 Wire Lead