

# Danbury® Technical Specification

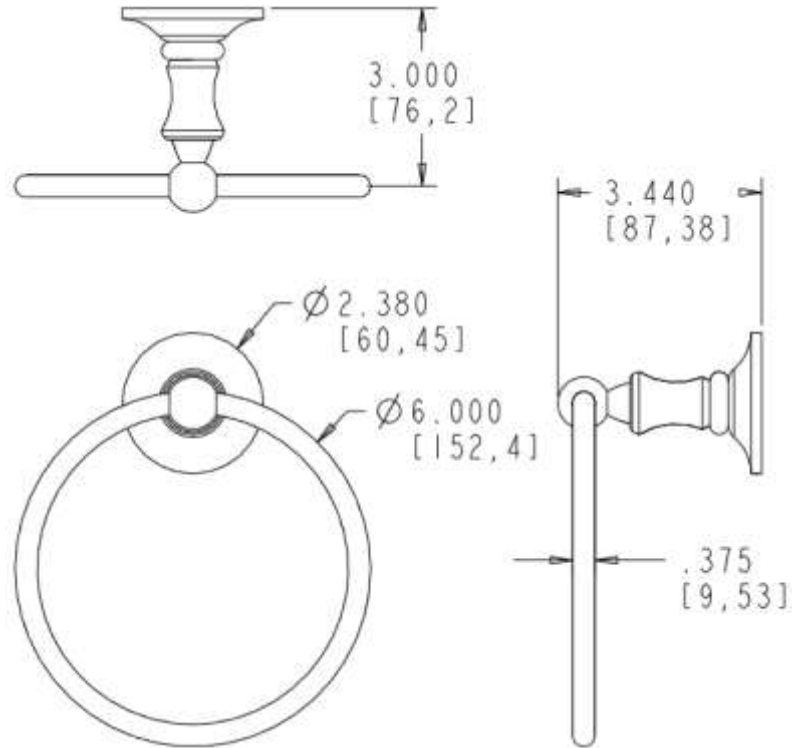
## Towel Ring

# DN6786

### Stock Numbers:

- DN6786BN – Towel Ring  
Brushed Nickel Finish
- DN6786ORB – Towel Ring  
Oil Rubbed Bronze Finish

### Dimensions:



### Materials:

Towel Ring post is constructed of zinc. Ring is brass.

### Installation Instructions:

1. Remove the mounting post from the body by loosening the setscrew.
2. Position the mounting post on the wall at desired location with notch facing down.
3. One at a time, place each anchor screw through the 2 large mounting post holes, centered in the large hole. Using a Phillips screw driver, turn the anchor screw while applying pressure. Screw will self drill and tap into drywall. Do not over tighten.
4. Place skirt over mounting post.
5. Then place post assembly or robe hook over mounting post and skirt with setscrew facing down.
6. Tighten set screw.

### Cleaning Instructions:

To preserve the fine finish of this product, clean only with a soft damp cloth. Dry well. Do not use commercial or abrasive cleaners.

Stock Number: \_\_\_\_\_ Towel Ring  
By Creative Specialties



25300 AL MOEN DRIVE • NORTH OLMSTED, OH 44070 (800) 321-8809 •  
FAX: (800) 848-6636 • INTERNATIONAL: (440) 962-2000 •  
FAX: (440) 962-2726 CUSTOMER SERVICE (USA): 800-882-0116  
WWW.MOEN.COM  
©Copyright Creative Specialties International Literature #BA1141