

Parlor™ Technical Specification

18" & 24" Towel Bars

DN5418 & DN5424

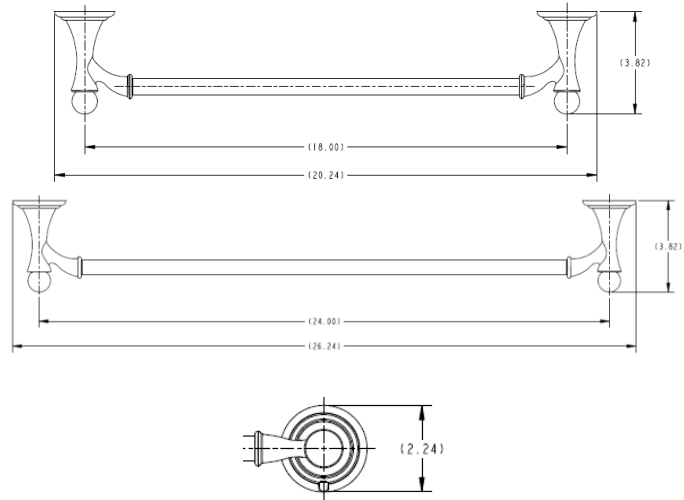
Stock Numbers:

- ❑ DN5418BN – 18" Towel Bar
Brushed Nickel Finish
- ❑ DN5424BN – 24" Towel Bar
Brushed Nickel Finish
- ❑ DN5418BRB – 18" Towel Bar
Mediterranean Bronze Finish
- ❑ DN5424BRB – 24" Towel Bar
Mediterranean Bronze Finish
- ❑ DN5418CH – 18" Towel Bar
Chrome Finish
- ❑ DN5424CH – 24" Towel Bar
Chrome Finish

Materials:

Towel Bar post is die cast from highest quality zinc alloy (Zamac). Casting is plated Chrome, Brushed Nickel or Mediterranean Bronze. **Towel bar** is aluminum for Brushed Nickel and Chrome finishes and stainless steel for Mediterranean Bronze.

Dimensions:



Installation Instructions:

1. Position the mounting template on the wall in the desired location.
2. Using a level, align the template and tape it to the wall.
3. Drill two 5/16" holes at each mounting plate location that corresponds to your product.
4. Remove the template from the wall.
5. Fold ends of the plastic toggle together and insert into each hole in the wall.
6. Lightly tap anchors until flush with the wall.
7. One at a time, insert plastic pin into each of the anchors and lightly tap to activate anchor. Remove pin and repeat on all anchors.
8. Remove mounting plates from the product assemblies by loosening each setscrew.
9. Place the mounting plate on the wall over the installed wall anchors with "UP" facing you.
10. Insert screws through the mounting plate into the anchors. Tighten the screws.
11. Assemble the towel bar and posts.
12. While assembled, position each end post with setscrews facing down and place over both mounting plates. Tighten the setscrews.

Cleaning Instructions:

To preserve the fine finish of this product, clean only with a soft damp cloth. Dry well. Do not use commercial or abrasive cleaners.

Stock Number: _____ **Towel Bars**
By Creative Specialties