

Home Care Technical Specification

Elevated Toilet Seat with Support Handles

DN8070

Stock Numbers:

- **DN8070 – Elevated Toilet Seat**
White molded seat designed to be easily removable from bracket without using any tools while keeping existing seat cover useable after removal.

Materials:

ASSEMBLY TESTED
TO CONFIRM ADA
COMPLIANCE

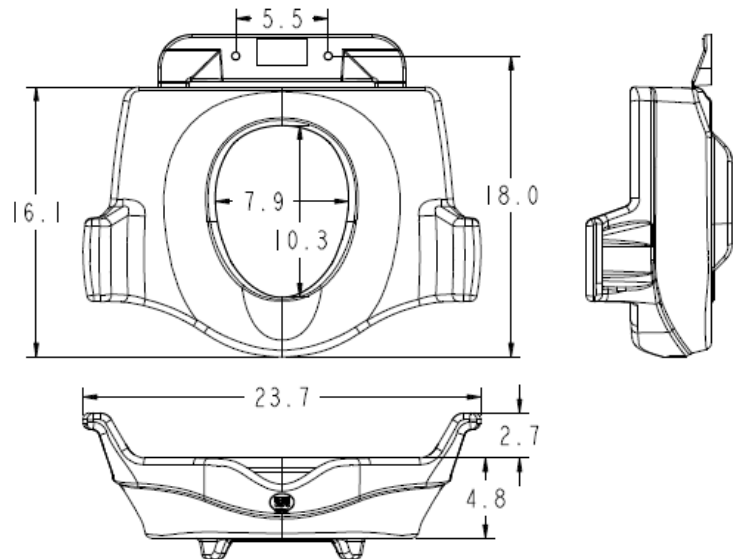


Elevated Toilet Seat is made from high-density polyethylene. Bracket is made from polypropylene. Nuts and bolts are nylon.

WARNING

TO PREVENT SERIOUS OR FATAL INJURY: Insure product is assembled, installed, adjusted and used properly. FOR USE ONLY BY PERSONS WEIGHING LESS THAN 300 POUNDS. Plastic inner rim of seat must fit inside of porcelain toilet bowl rim. If seat can rock from side to side, do not use. Do not tip seat. Sit on and leave seat from front, not from side. When seated, do not lean to either side of seat without proper balancing. Do not jump or stand on seat. Contact CSI immediately at 1-800-882-0116 if any components are missing or damaged. Do not modify or substitute any components. FOR QUESTIONS OR ASSISTANCE WITH ASSEMBLY OR INSTALLATION CONTACT CSI AT 1-800-882-0116. Consult healthcare professional for advice and instructions specific to user's need before use.

Dimensions:



Installation Instructions:

Assembly diagram included in package.

WARNING: PREVENT INJURY. After elevated seat installation, both bracket tabs must securely engage slot in back of elevated seat, and there should be at least a small gap, no thinner than a dime, between the elevated seat and the bottom of the toilet's own seat. Do not use elevated seat without both bracket tabs securely engaged, or without gap.

Stock Number: _____ Elevated Toilet Seat
By Creative Specialties



25300 AL MOEN DRIVE • NORTH OLMSTED, OH 44070
CORPORATE HEADQUARTERS: (800) 321-8809 • FAX: (800) 848-6636
INTERNATIONAL: (440) 962-2000 • FAX: (440) 962-2726
CUSTOMER SERVICE (USA): 800-882-0116 • FAX: (888) 379-2720
WWW.MOEN.COM

©Copyright Creative Specialties International

Literature #BA1690