

Home Care Technical Specification

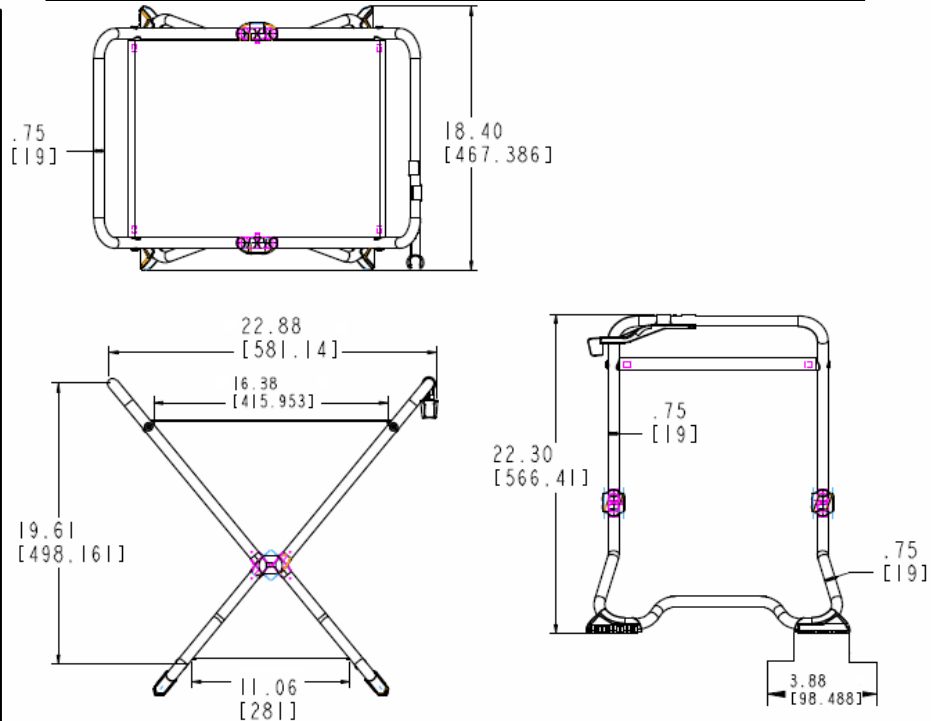
Folding Mesh Shower Seat

DN7026

Stock Numbers:

- **DN7026 – Folding Mesh Shower Seat**
Pebble

Dimensions:



Materials:

Folding Mesh Shower Seat is made of Aluminum, EPDM, Reinforced Polyester, and Stainless.

**ASSEMBLY TESTED
TO CONFIRM ADA
COMPLIANCE**



WARNING:

TO PREVENT SERIOUS OR FATAL INJURY: Insure product is assembled and used properly. FOR USE ONLY BY PERSONS WEIGHING LESS THAN 250 POUNDS. Failure to follow correct assembly procedures can cause the seat to become unstable. DO NOT jump on, stand on or tilt. Contact CSI immediately at 1-800-882-0116 if any components are missing or damaged. Do not modify or substitute any components. FOR QUESTIONS OR ASSISTANCE WITH ASSEMBLY CONTACT CSI AT 1-800-882-0116. Consult healthcare professional for advice and instructions specific to user's needs before use.

Installation Instructions:

1. With the shower chair open pick what side of the handle the shower holder will go on.
2. Align the shower holder perpendicular in the middle of the specified handle.
 - a. For the shower holder to be on your right side, the holder must be facing away from the chair.
 - b. For the shower holder to be on your left side, the holder must be facing in towards the chair
3. Rotate the shower holder in the counter clockwise.
4. Slide the holder to the end.

Stock Number: _____ **Shower Mesh Seat**
By Creative Specialties

25300 AL MOEN DRIVE • NORTH OLMSTED, OH 44070
CORPORATE HEADQUARTERS: (800) 321-8809 • FAX: (800) 848-6636
INTERNATIONAL: (440) 962-2000 • FAX: (440) 962-2726
CUSTOMER SERVICE (USA): 800-882-0116 • FAX: (888) 379-2720
WWW.MOEN.COM

©Copyright Creative Specialties International

Literature #BA1372

