

# Sienna Technical Specification

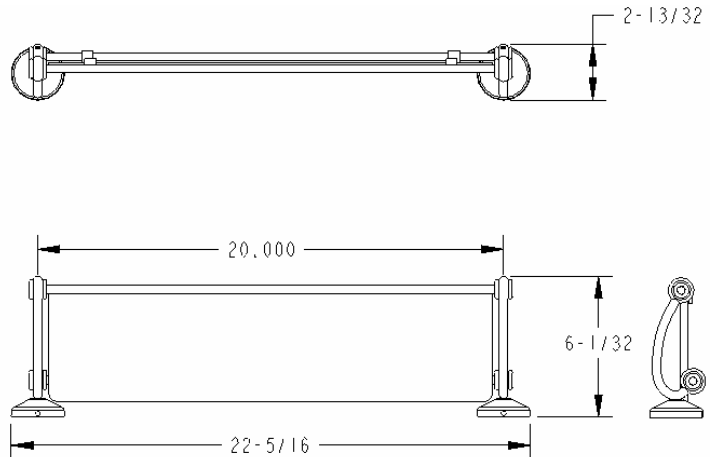
## Glass Shelf

# DN4990

### Stock Numbers:

- q **DN4990BK –Glass Shelf**  
Black Finish

### Dimensions:



### Materials:

**Vanity Shelves** are constructed of wrought iron and glass. Black finish is powder coated.

### Installation Instructions:

1. Position the mounting template on the wall in the desired location. Using a level, align the template and tape it to the wall.
2. Remove the mounting bracket from the body by loosening the setscrew.
3. Place each mounting bracket on the template with "UP" facing you.
4. One at a time, place each anchor screw through the mounting plate, centered in each large hole. Using a Phillips screwdriver, turn the anchor screw while applying pressure. Screw will self drill and tap into drywall. Do not over tighten.
5. Only insert screw  $\frac{1}{2}$  to  $\frac{3}{4}$  of the way into wall.
6. After all screws are installed, tear the template away from the wall
7. Tighten all 4 screws. Do not over tighten.
8. Assemble the two bars into the posts. The front bar has a twist. The back bar is straight.
9. Orient the front bar so the two brackets are on the bottom pointing towards the wall. The non-slip pads on the shelf brackets should be horizontal and facing up.
10. Tighten the setscrew on the bottom of each post to secure the front bar.
11. Place the assembled product over the mounting brackets on the wall (setscrew down). Tighten the setscrew on each base.
12. If necessary, adjust the position of the front bar by loosening the setscrew and rotating the bar to desired position. The non-slip pads on the shelf brackets should be horizontal and facing up. Tighten the setscrews.
13. Place glass shelf on to the assembly with the two rounded corners closest to the wall.

### Cleaning Instructions:

To preserve the fine finish of this product, clean only with a soft damp cloth. Dry well. Do not use commercial or abrasive cleaners.

**Stock Number:** \_\_\_\_\_ **Vanity Shelf**  
**By CSI Bath Furnishings**



25300 AL MOEN DRIVE • NORTH OLMSTED, OH 44070  
CORPORATE HEADQUARTERS: (800) 321-8809 • FAX: (800) 848-6636  
INTERNATIONAL: (440) 962-2000 • FAX: (440) 962-2726  
CUSTOMER SERVICE (USA): 800-882-0116 • FAX: (888) 379-2720  
WWW.CSI.MOEN.COM

©Copyright Creative Specialties International 2006

Literature #BA1100